



US00D326893S

United States Patent [19]

Kolesar

[11] Patent Number: **Des. 326,893**

[45] Date of Patent: **** Jun. 9, 1992**

[54] **MULTI-COMPARTMENT BAIT BOX**

[76] Inventor: **John R. Kolesar**, 106 Cambridge Rd.,
Johnstown, Pa. 15905

[**] Term: **14 Years**

[21] Appl. No.: **580,618**

[22] Filed: **Sep. 11, 1990**

[52] U.S. Cl. **D22/136; D3/38;**
D3/104

[58] Field of Search **D3/38, 100, 104;**
D22/136; 43/55, 54.1, 25.2, 26, 56; 224/248,
253, 920, 148, 225, 240, 252, 272, 245;
206/315.11

[56] **References Cited**

U.S. PATENT DOCUMENTS

| | | | |
|------------|---------|-----------------|-----------|
| D. 263,519 | 3/1982 | Ader | D3/104 |
| 1,150,776 | 8/1915 | Lamb | 43/55 |
| 1,549,400 | 8/1925 | Wimler | 224/241 X |
| 1,625,920 | 4/1927 | Thurman | 224/920 X |
| 1,815,101 | 7/1931 | Goldstein | 224/920 X |
| 2,220,817 | 11/1940 | Holmes | 43/57.1 |

| | | | |
|-----------|---------|-------------------|--------------|
| 2,605,581 | 8/1952 | Kranitz | 43/56 |
| 3,317,097 | 5/1967 | Giordano | 224/920 X |
| 3,399,484 | 9/1968 | Marks | 43/55 |
| 3,755,956 | 9/1973 | Spoerl | 43/55 |
| 5,070,546 | 12/1991 | Stazo et al. | 206/315.11 X |

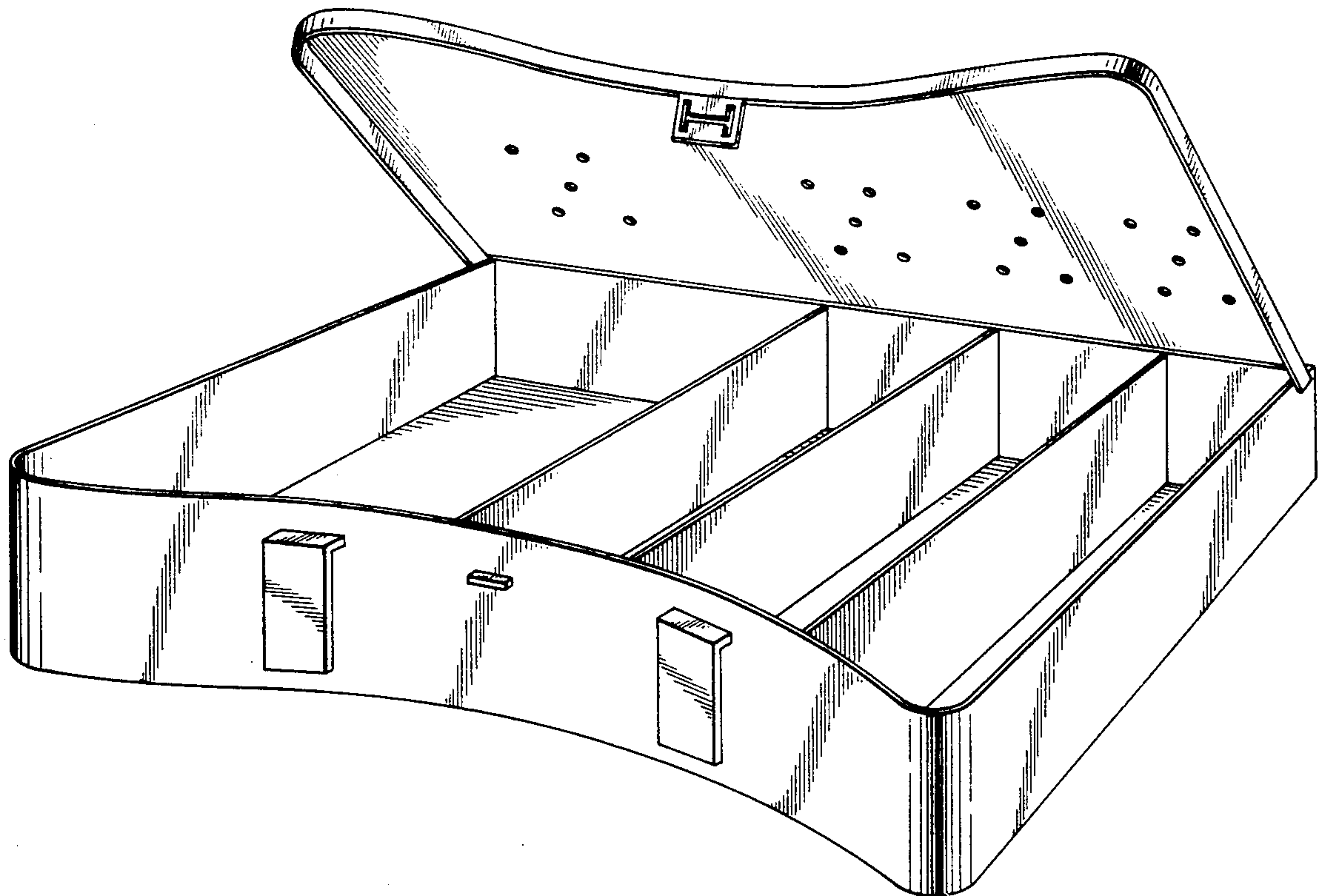
Primary Examiner—A. Hugo Word
Assistant Examiner—Doris V. Coles
Attorney, Agent, or Firm—Wegner, Cantor, Mueller & Player

[57] **CLAIM**

The ornamental design for a multi-compartment bait box, as shown and described.

DESCRIPTION

FIG. 1 is a top, front and right side perspective view of a multi-compartment bait box, with lid in the open position, showing my new design;
FIG. 2 is a right side elevational view, the left side being a mirror image thereof;
FIG. 3 is a rear elevational view thereof; and,
FIG. 4 is a top, front and right side perspective view with the lid in closed position. The bottom surface is plain and unadorned.



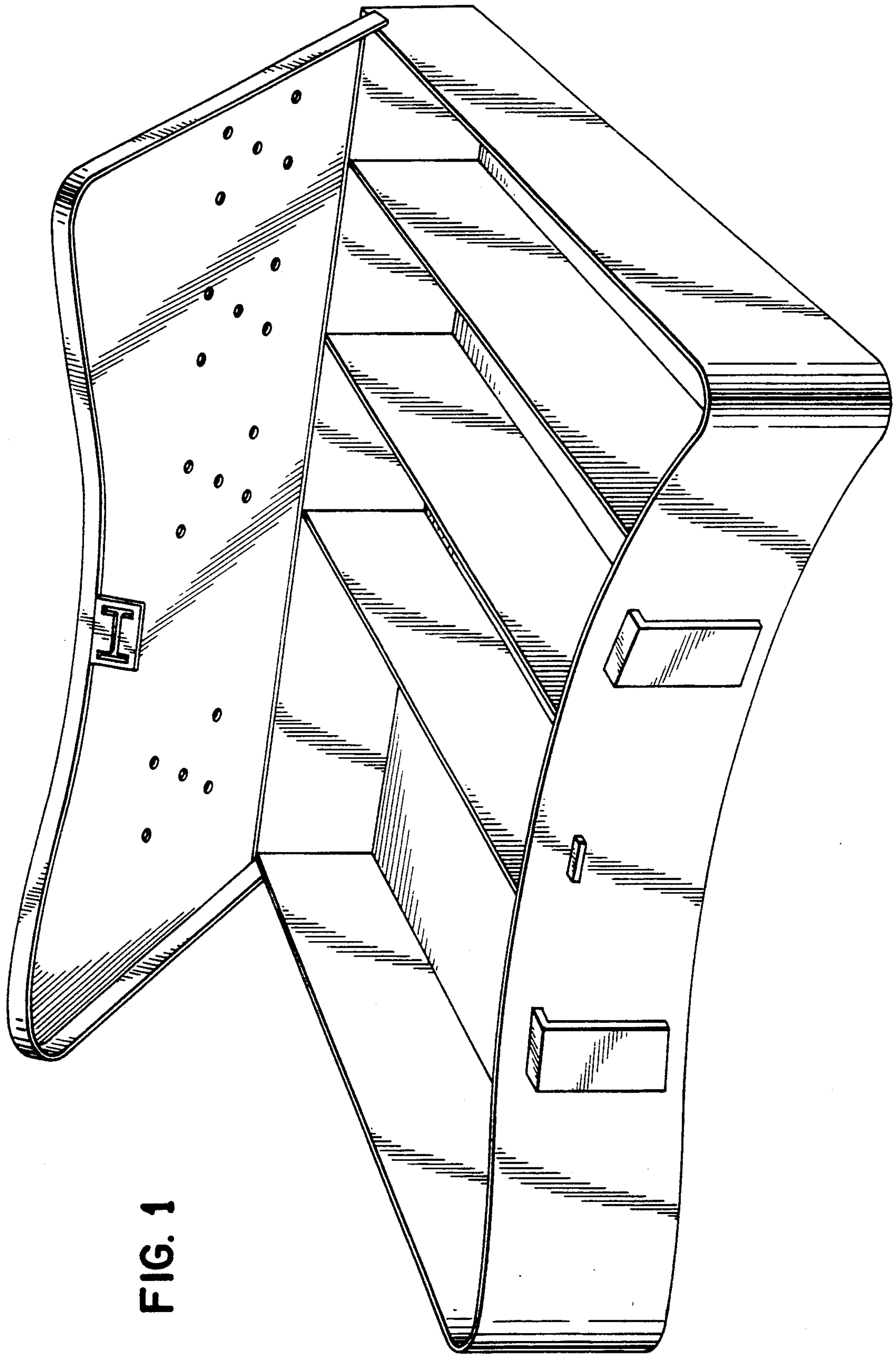


FIG. 1

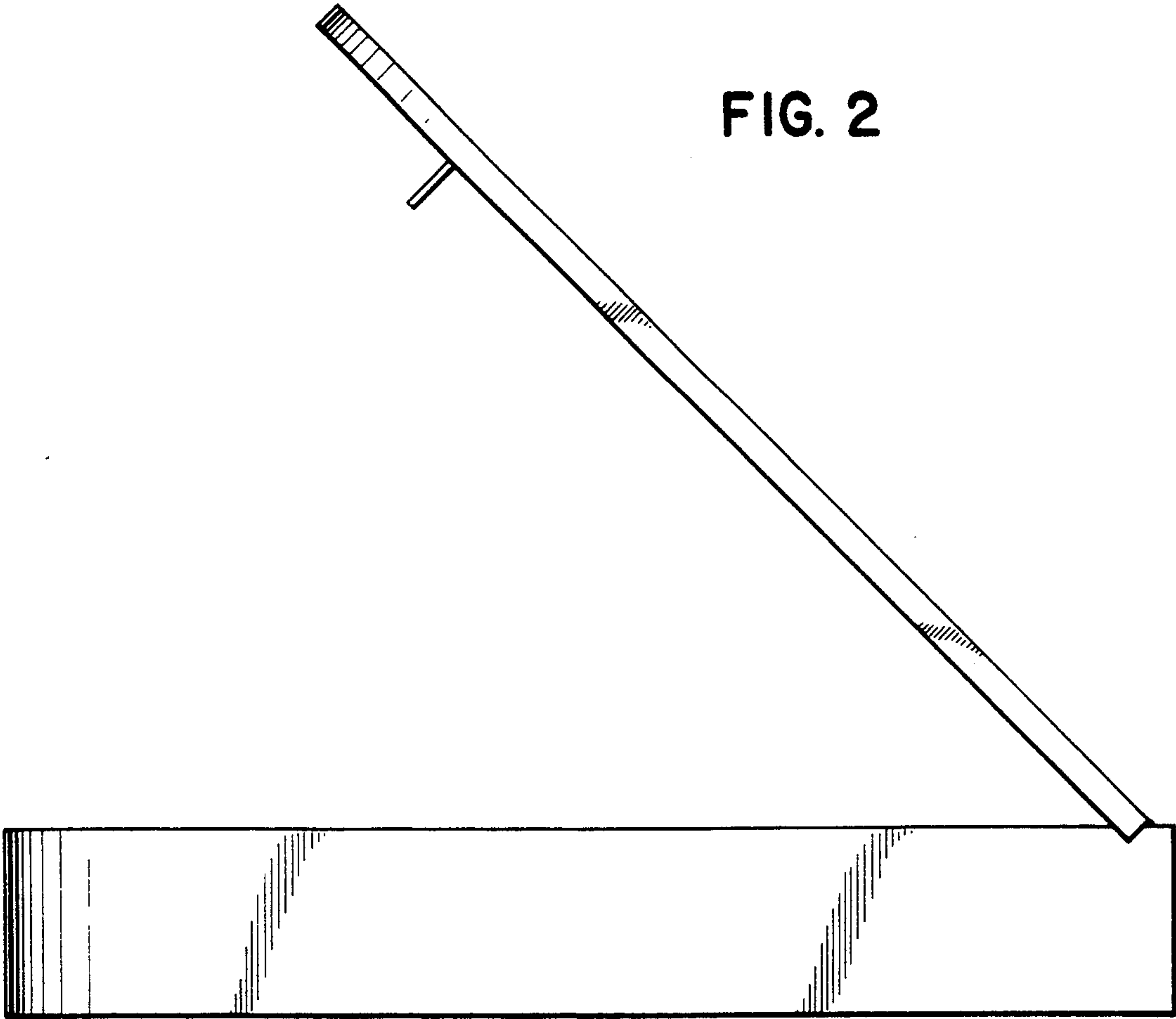


FIG. 3

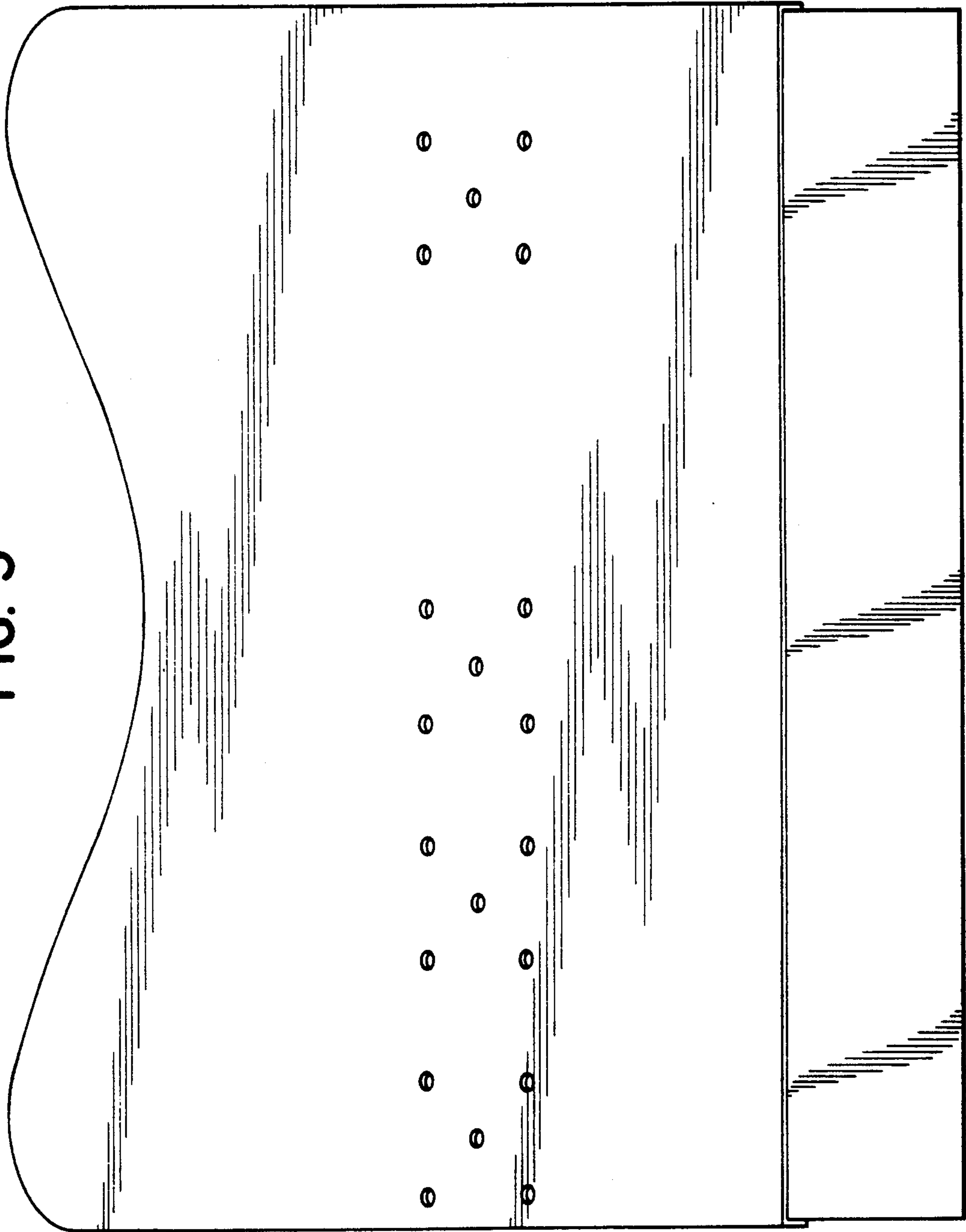


FIG. 4

