



US00D326888S

United States Patent [19]

[11] Patent Number: **Des. 326,888**

Van Reuth

[45] Date of Patent: **** Jun. 9, 1992**

[54] **MALLET HEAD**

[76] Inventor: **Edward F. Van Reuth**, 3107 Echodale Ave., Baltimore, Md. 21214

[**] Term: **14 Years**

[21] Appl. No.: **386,133**

[22] Filed: **Jul. 28, 1989**

[52] U.S. Cl. **D21/217; D21/202**

[58] Field of Search **D21/202, 211-210, D21/217-218; 273/67 R, 83**

[56] **References Cited**

U.S. PATENT DOCUMENTS

D. 126,571	4/1941	Pressman	D21/210
280,807	7/1883	Farley	D21/202 X
D. 318,893	8/1991	Antonious	D21/217
1,352,020	9/1920	Olson	D21/217 X

Primary Examiner—Terry A. Pfeffer
Attorney, Agent, or Firm—Richard C. Litman

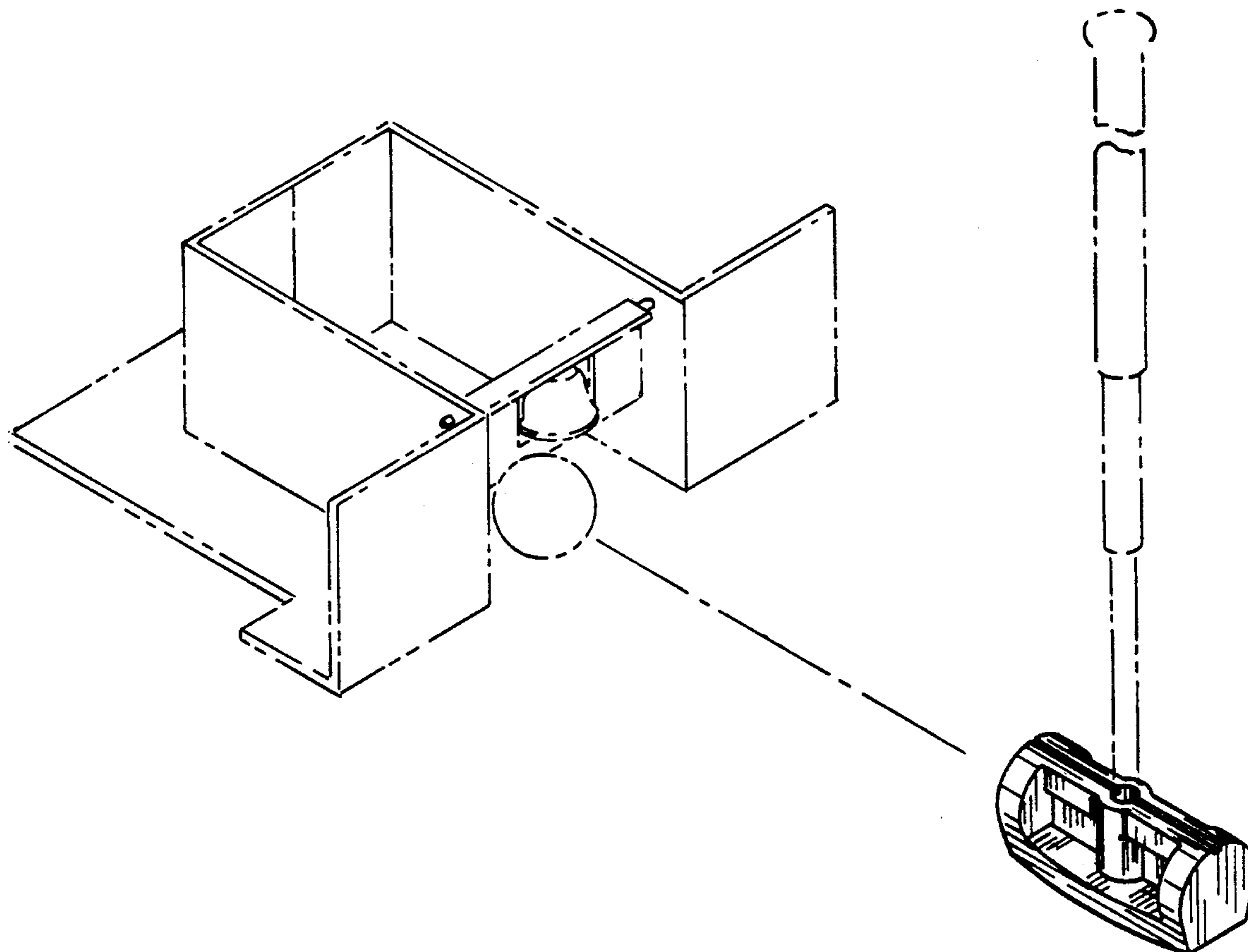
[57] **CLAIM**

The ornamental design for a mallet head, as shown and described.

DESCRIPTION

FIG. 1 is a perspective view of a mallet head showing my new design, the handle, housing compartment and ball shown in broken lines for illustrative purposes only; FIG. 2 is a top plan view thereof; FIG. 3 is a right side elevational view thereof, the opposite side being identical; FIG. 4 is a front elevational view thereof, the opposite side being identical; and, FIG. 5 is a cross-sectional view taken along line 5—5 of FIG. 3.

The undisclosed bottom view is unornamented.



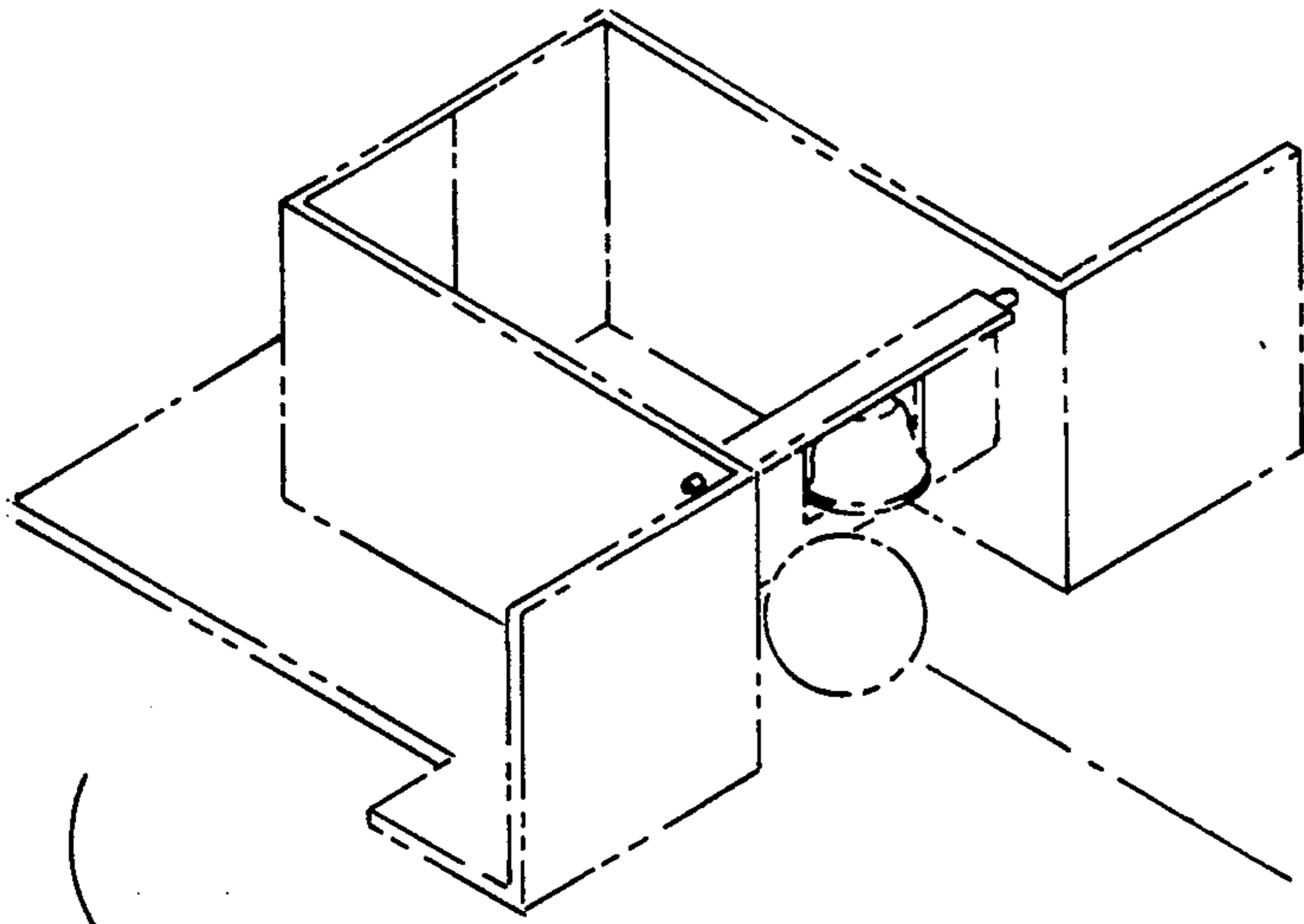


Fig. 1

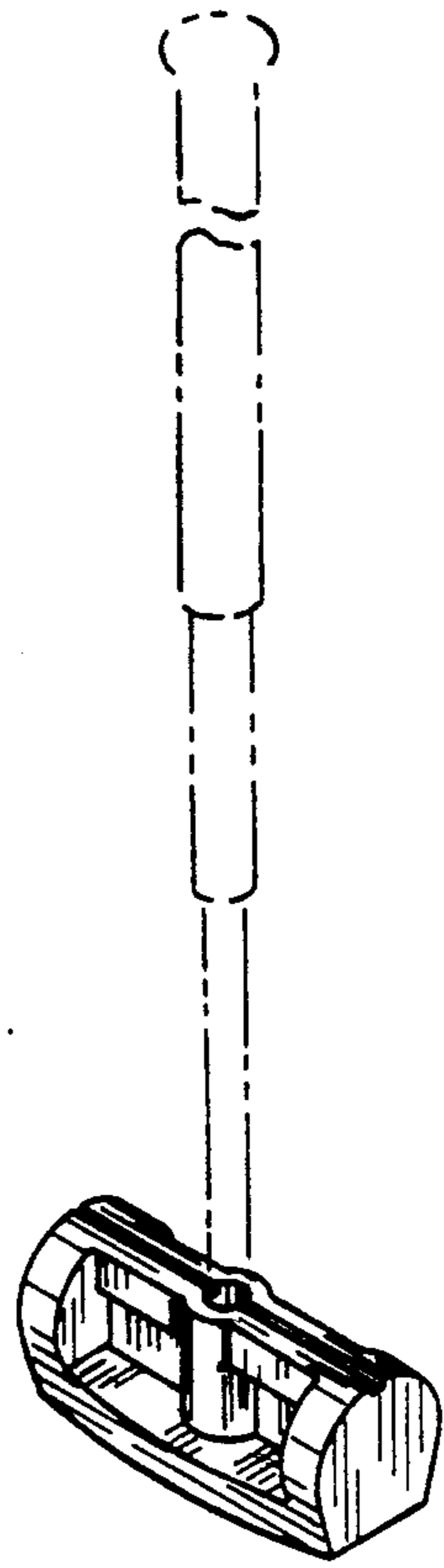


Fig. 2

Fig. 3

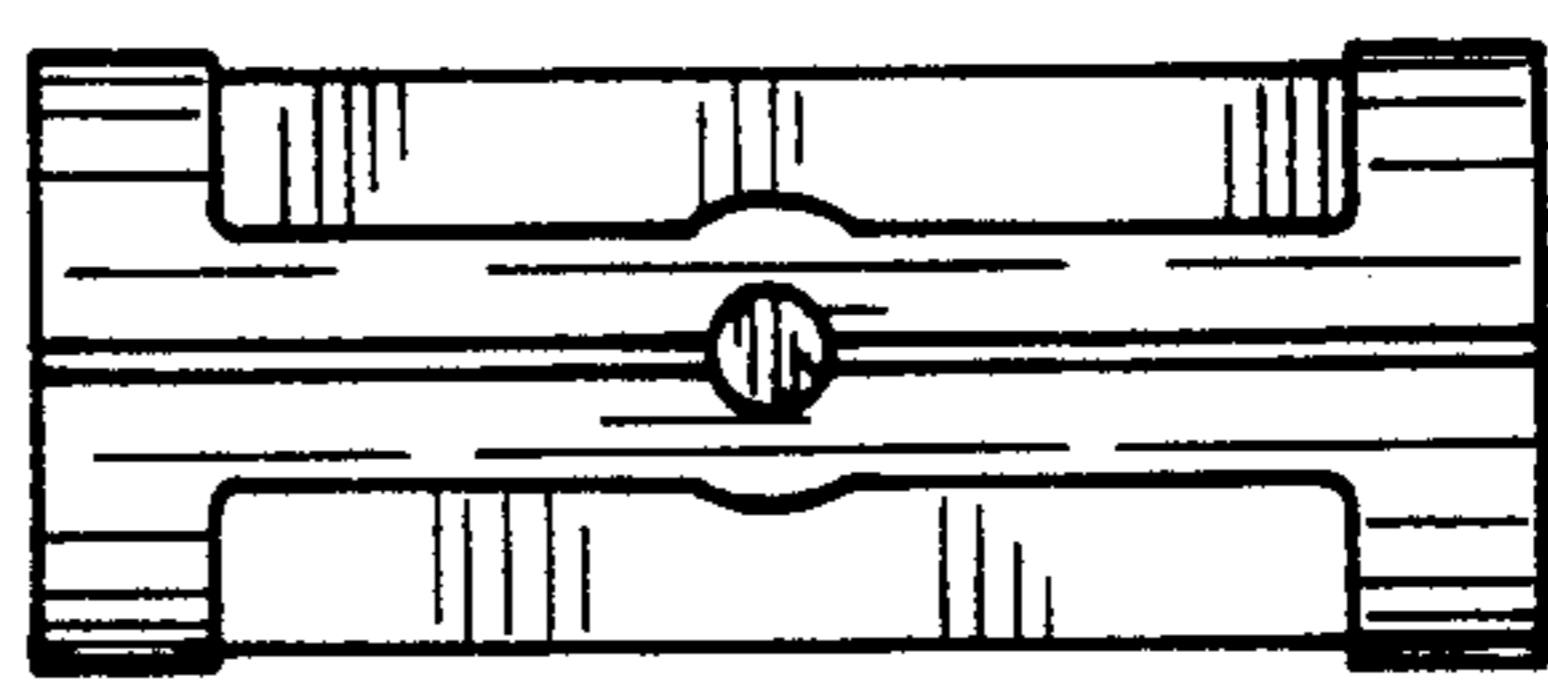
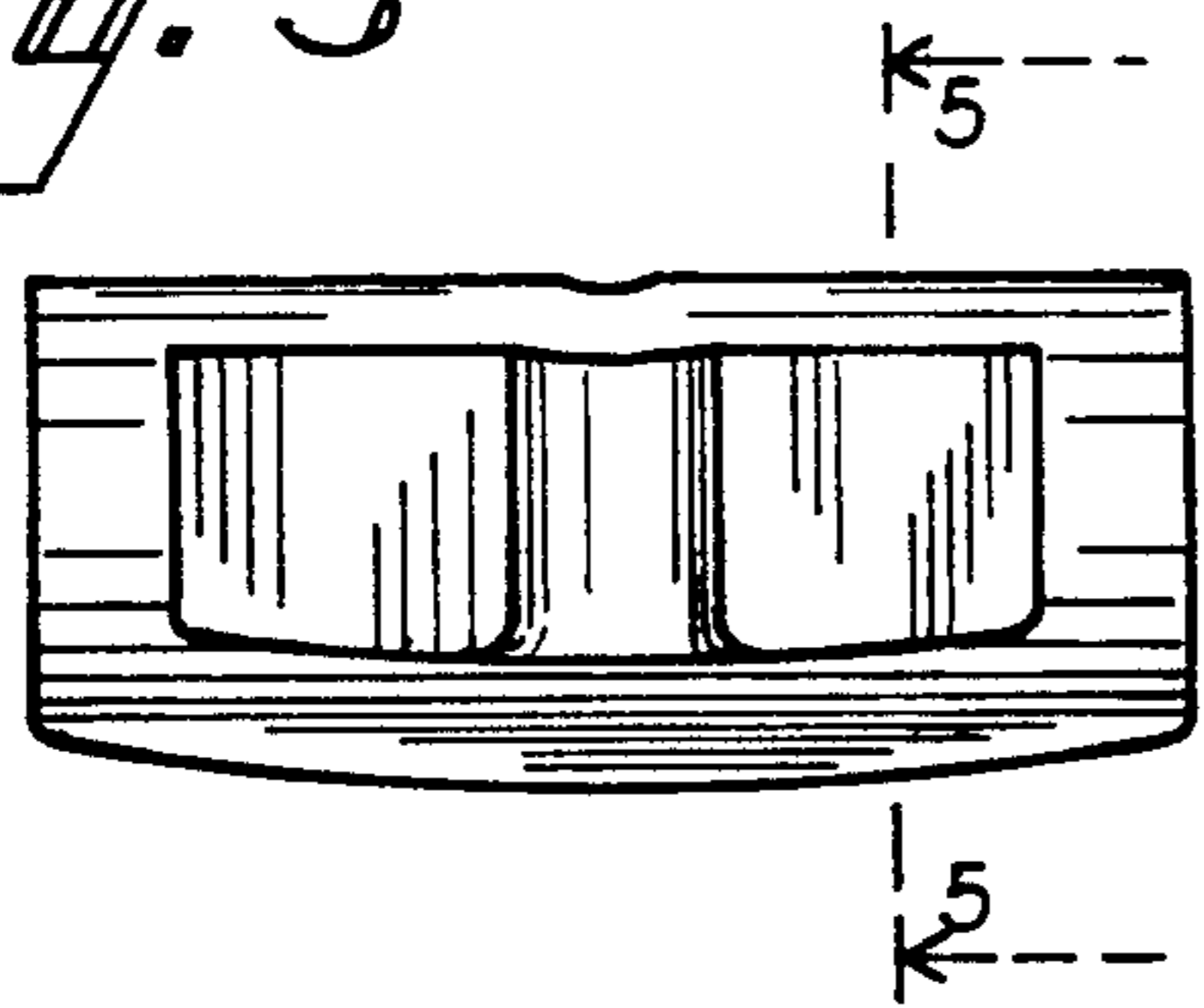


Fig. 4

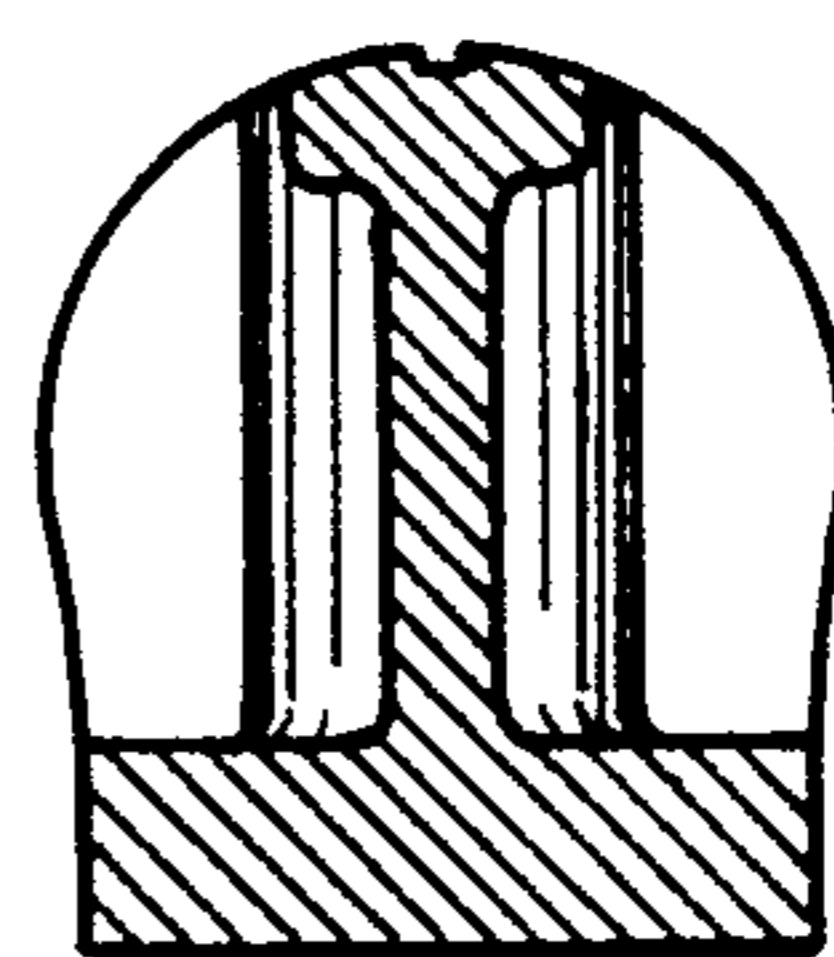
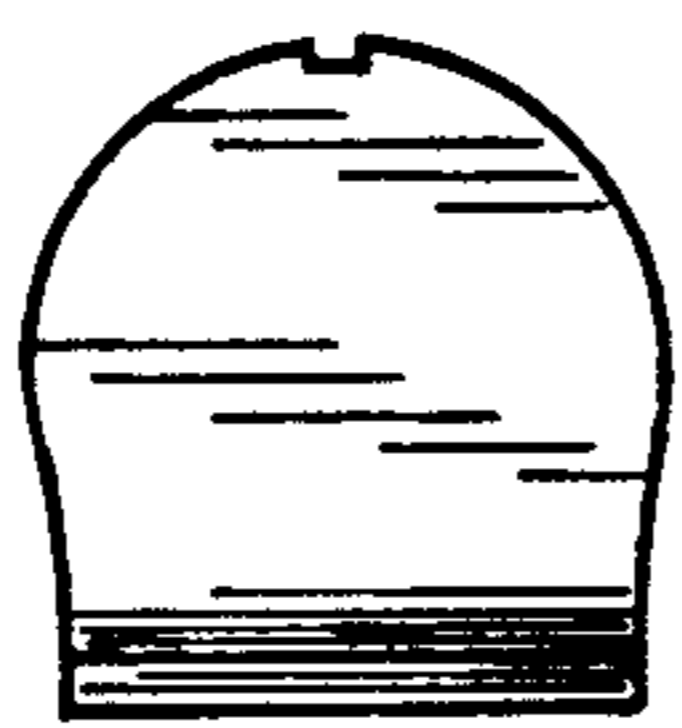


Fig. 5