



US00D326879S

# United States Patent [19]

[11] Patent Number: **Des. 326,879**

**Suzuki**

[45] Date of Patent: **\*\* Jun. 9, 1992**

[54] **TOY AUTOMOBILE DASHBOARD**

D. 278,644 4/1985 Nakao ..... D21/142  
D. 311,934 11/1990 Takahashi ..... D21/78

[75] Inventor: **Tatsuya Suzuki, Tokyo, Japan**

**OTHER PUBLICATIONS**

[73] Assignee: **Tomy Company, Ltd., Tokyo, Japan**

Tomy Toy Catalog 1987, p. 44, #7057.  
Hong Kong Toys '88, p. 549, lower left of page.  
Hong Kong Toys '87, p. 217, top of page.

[\*\*] Term: **14 Years**

[21] Appl. No.: **575,993**

*Primary Examiner*—Bernard Ansher  
*Assistant Examiner*—R. Barkai  
*Attorney, Agent, or Firm*—Staas & Halsey

[22] Filed: **Aug. 31, 1990**

[30] **Foreign Application Priority Data**

[57] **CLAIM**

Mar. 2, 1990 [JP] Japan ..... 2-6877

[52] U.S. Cl. .... **D21/142**

[58] Field of Search ..... D21/142, 141.1, 78;  
D19/60, 63; D12/192; 446/7, 227

The ornamental design for a toy automobile dashboard, as shown.

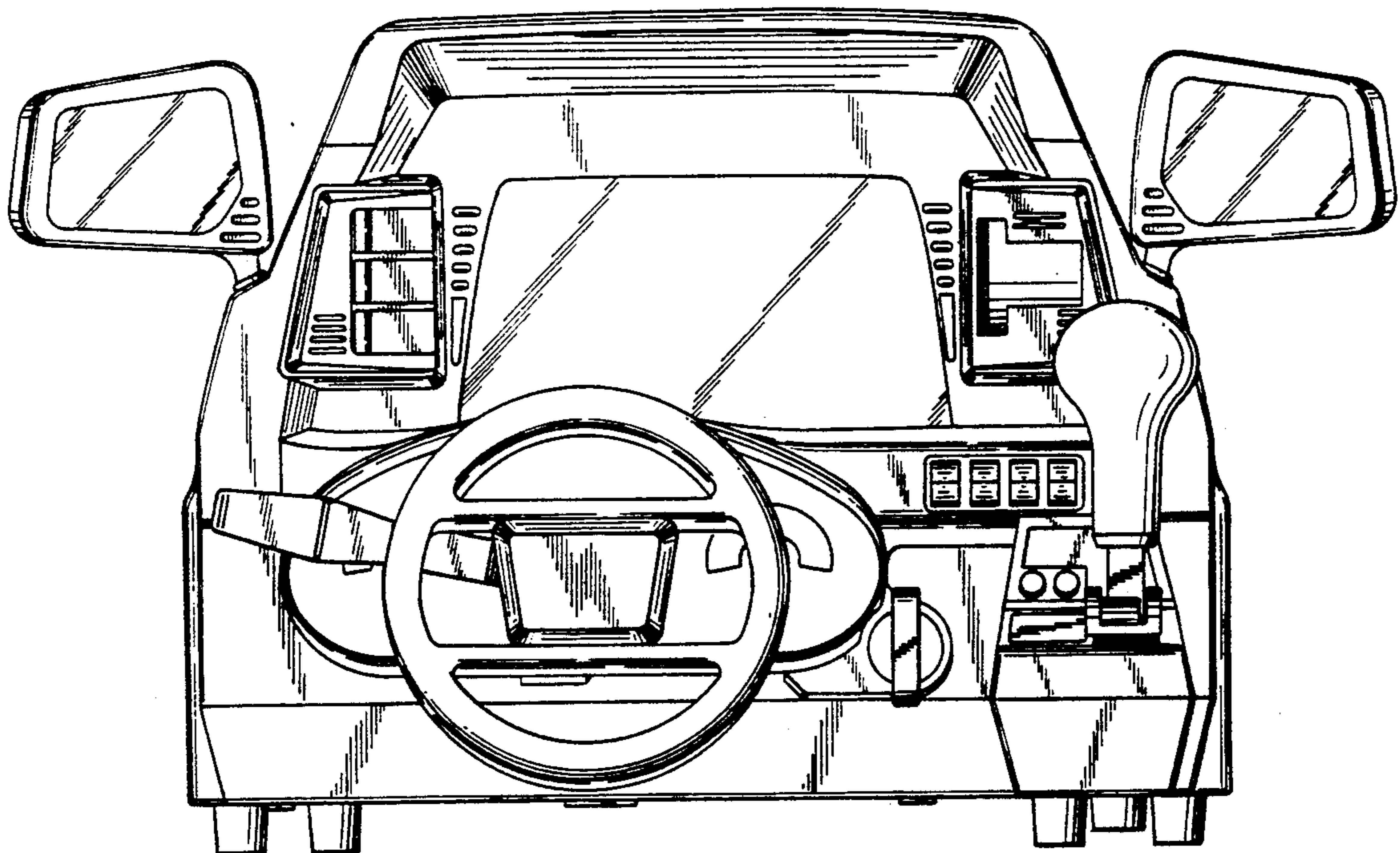
[56] **References Cited**

**DESCRIPTION**

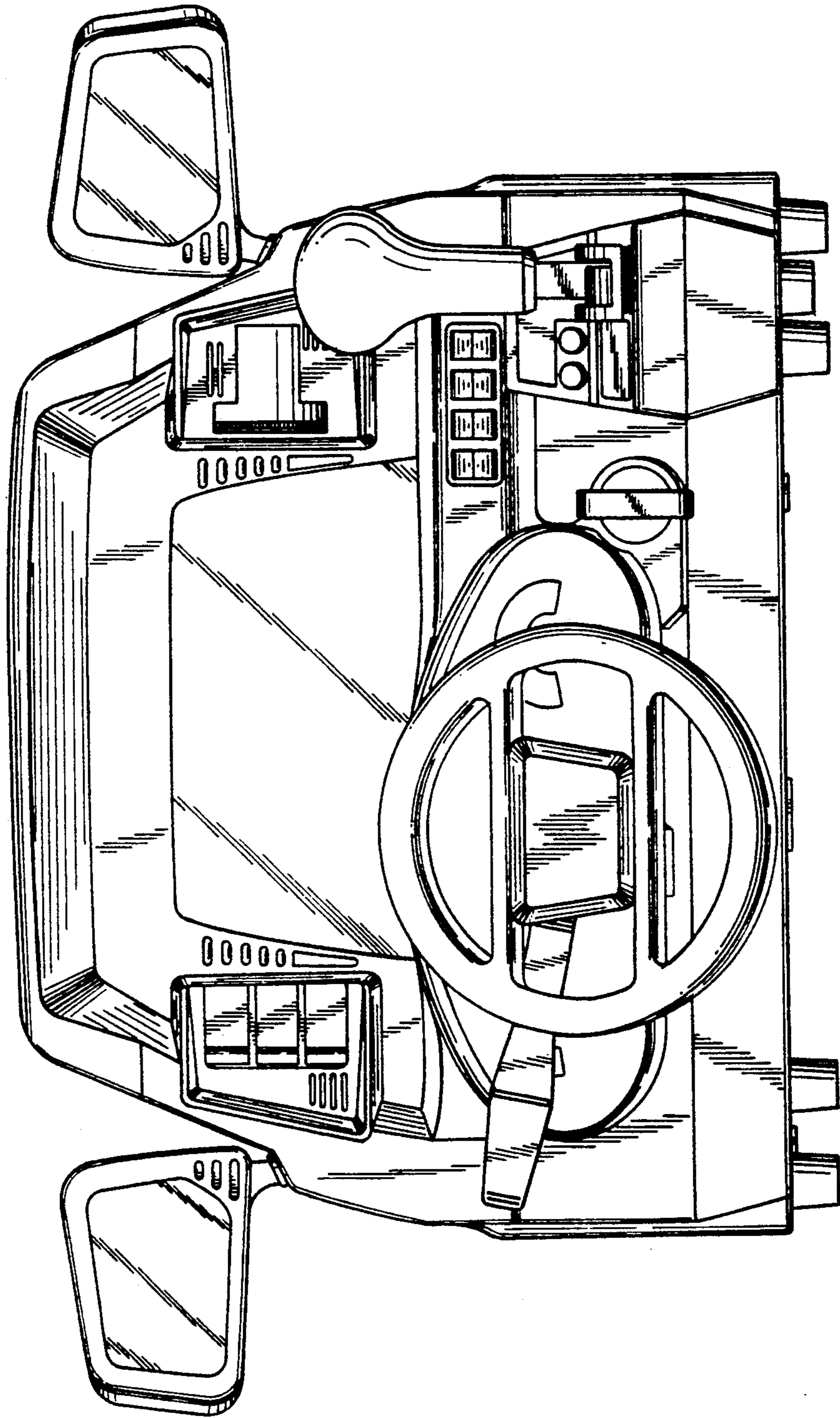
**U.S. PATENT DOCUMENTS**

D. 257,780 1/1981 Strauss ..... D21/142  
D. 266,097 9/1982 Klawitter ..... D21/142  
D. 274,447 6/1984 Appel ..... D21/142  
D. 275,023 8/1984 Nuttall ..... D21/142

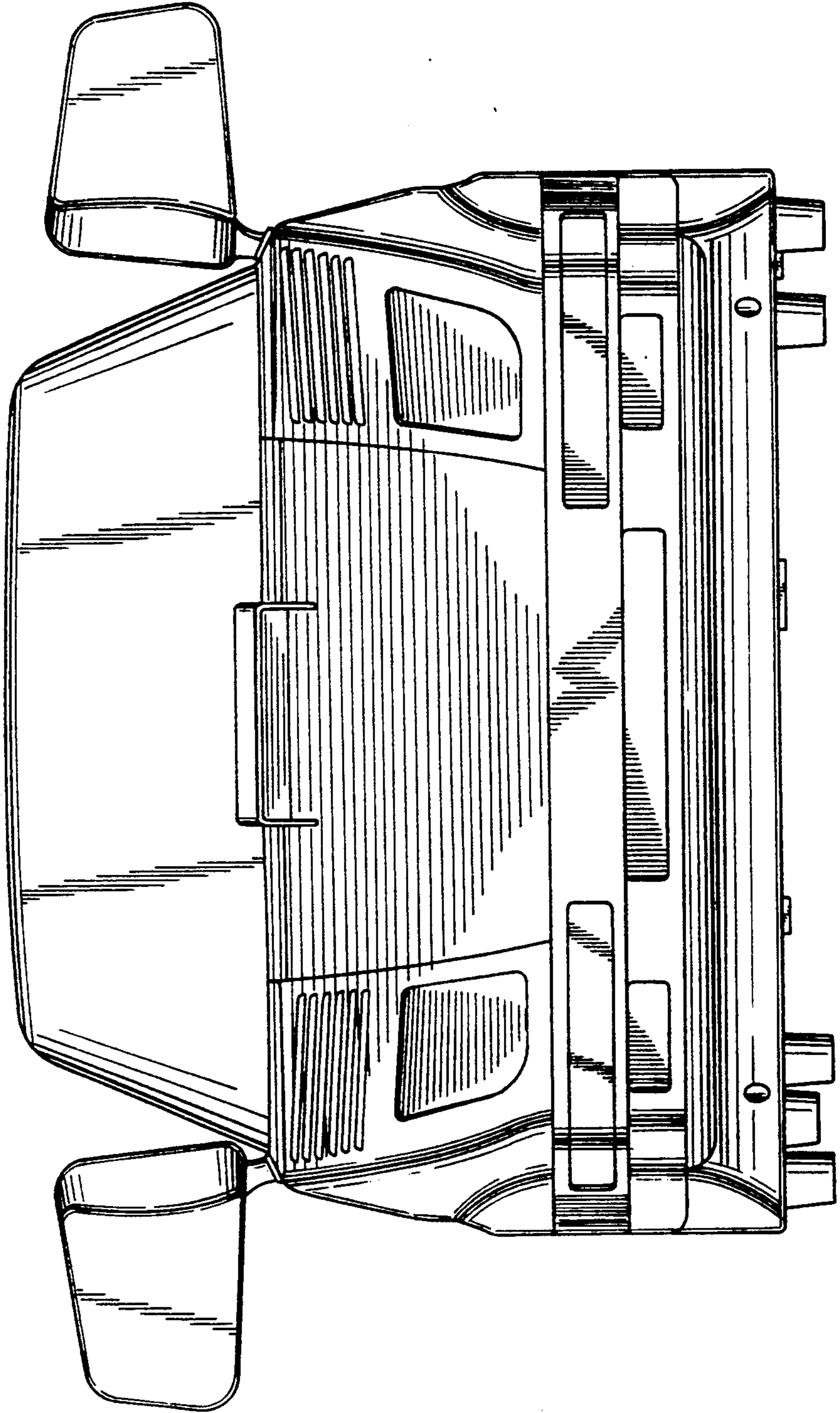
FIG. 1 is a front elevational view of a toy automobile dashboard showing my new design;  
FIG. 2 is a rear elevational view thereof;  
FIG. 3 is a right-side elevational view thereof;  
FIG. 4 is a left-side elevational view thereof;  
FIG. 5 is a top plan view thereof; and,  
FIG. 6 is a bottom plan view.



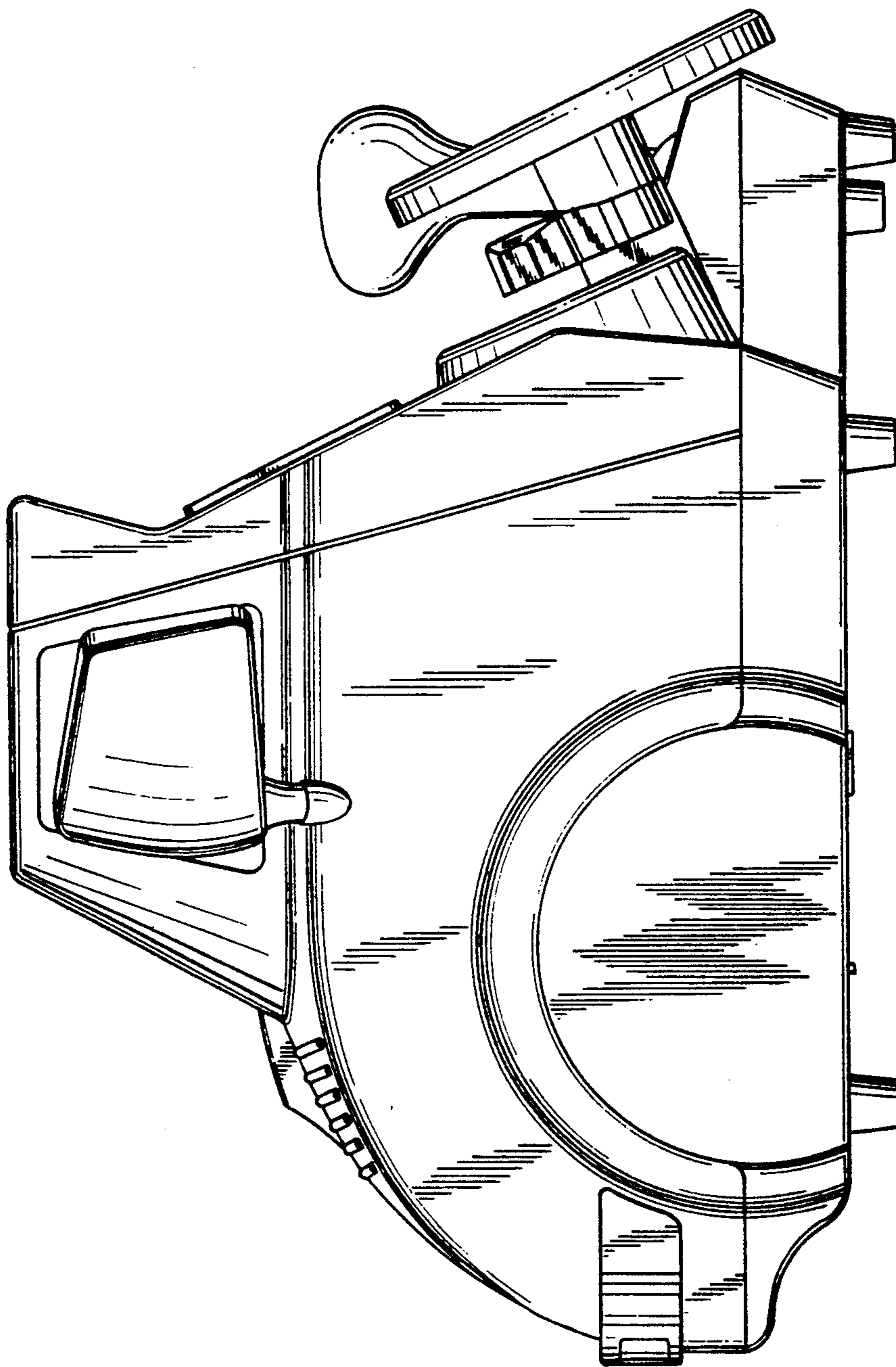
**FIG. 1**



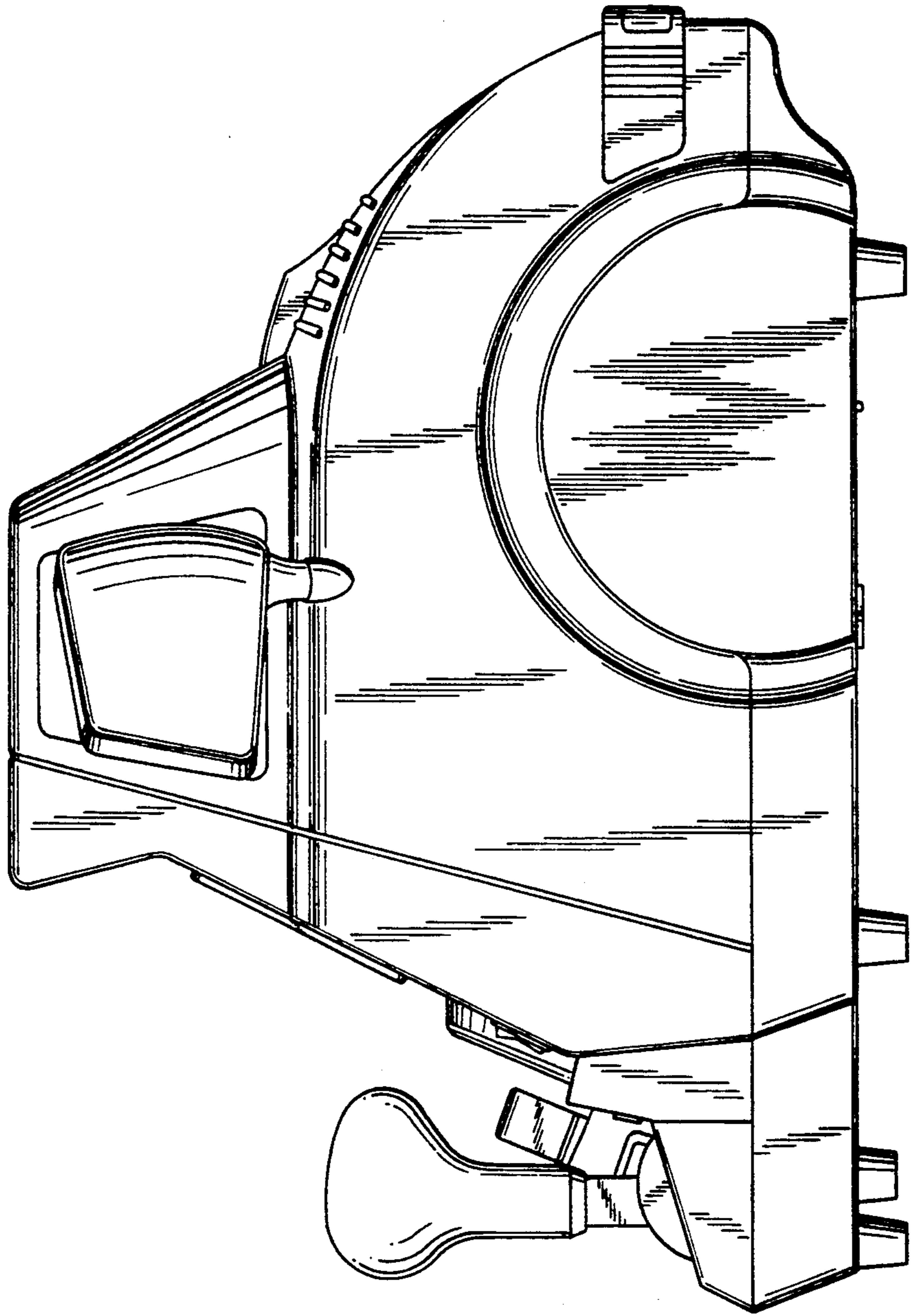
**FIG. 2**



**FIG. 3**



**FIG. 4**



**FIG. 5**

