



US00D326877S

# United States Patent [19]

[11] Patent Number: **Des. 326,877**

**Andersen**

[45] Date of Patent: **\*\* Jun. 9, 1992**

[54] **ELEMENT FOR A TOY BUILDING SET**

2,410,875 11/1946 Segal ..... 446/124

[75] Inventor: **Jorn K. T. Andersen, Billund, Denmark**

*Primary Examiner*—Bernard Ansher

*Assistant Examiner*—R. Barkai

[73] Assignee: **Interlego A.G., Baar, Switzerland**

*Attorney, Agent, or Firm*—Kane, Dalsimer, Sullivan, Kurucz, Levy, Eisele and Richard

[\*\*] Term: **14 Years**

[57]. **CLAIM**

[21] Appl. No.: **621,922**

The ornamental design for an element for a toy building set, as shown and described.

[22] Filed: **Dec. 4, 1990**

[52] U.S. Cl. .... **D21/108**

### DESCRIPTION

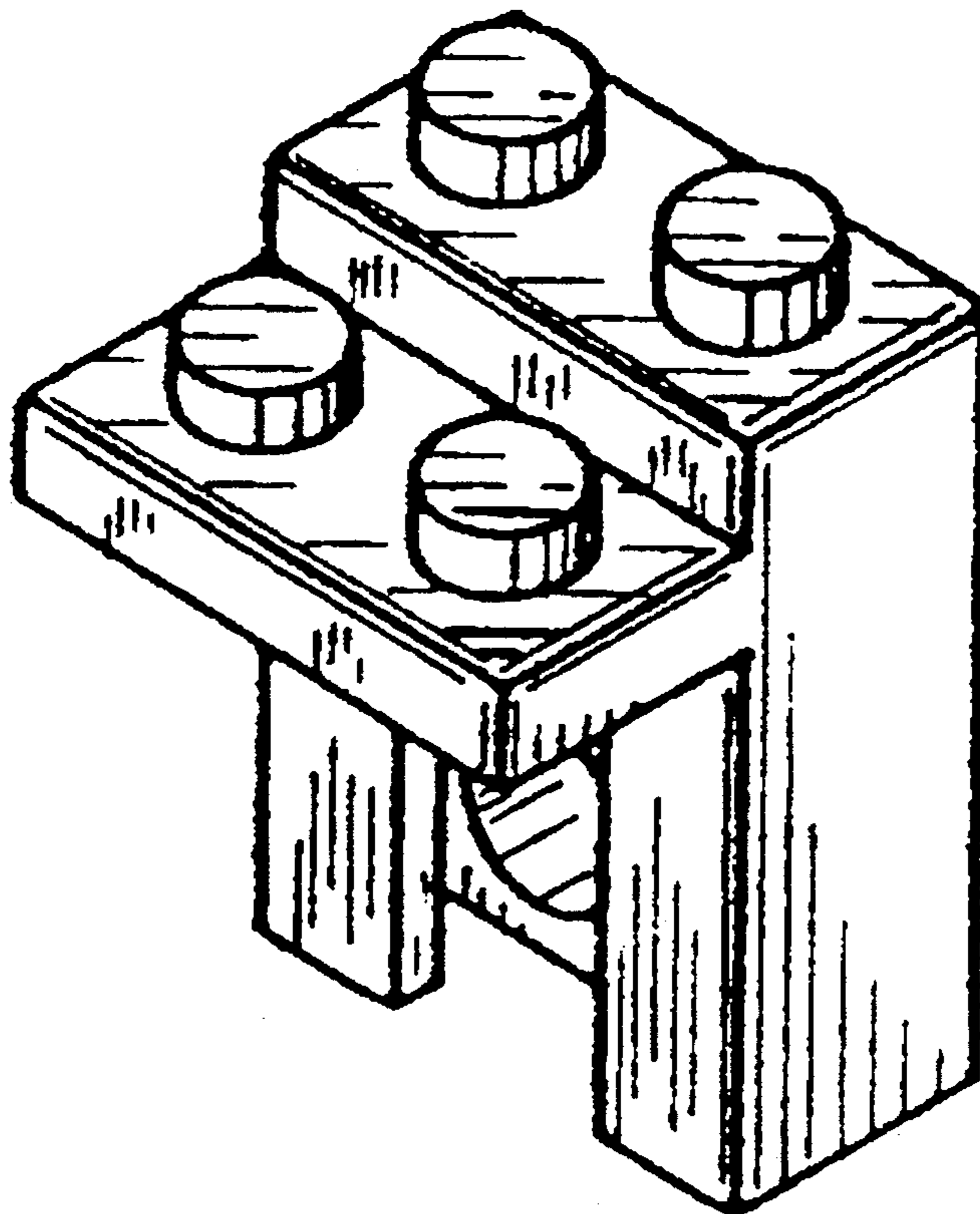
[58] Field of Search ..... **D21/108, 124; D8/382; 446/122, 123, 124, 128**

FIG. 1 is a top perspective view of an element for a toy building set showing my new design; FIG. 2 is a front elevational view thereof; FIG. 3 is a right side elevational view thereof, the left side elevational view being a mirror image; FIG. 4 is a rear elevational view thereof; FIG. 5 is a top plan view thereof; and, FIG. 6 is a bottom view thereof.

### [56] References Cited

#### U.S. PATENT DOCUMENTS

- D. 233,542 11/1974 Christiansen ..... D21/108
- D. 295,649 5/1988 Takahashi ..... D21/108
- D. 296,342 6/1988 Knudsen ..... D21/108



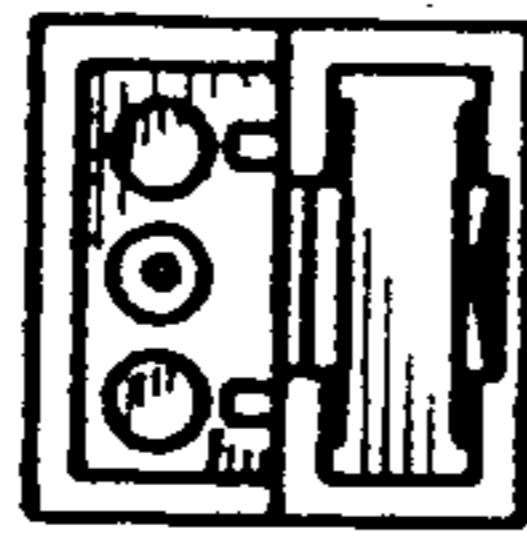


FIG. 6

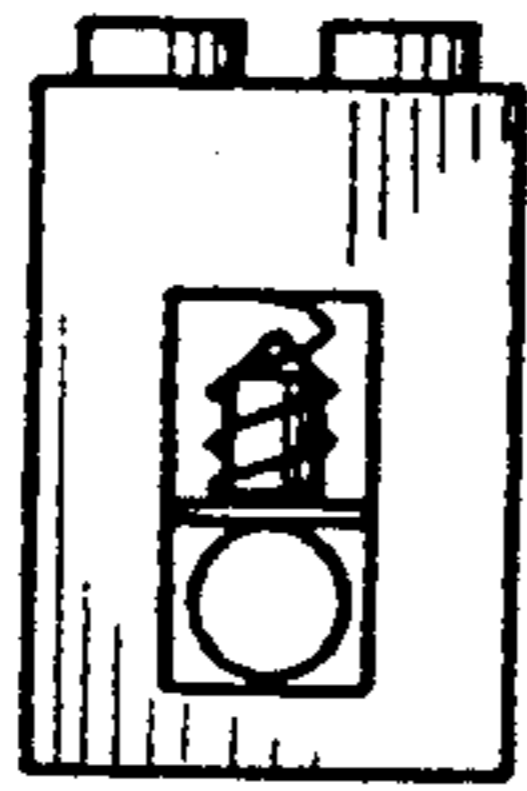


FIG. 4



FIG. 3

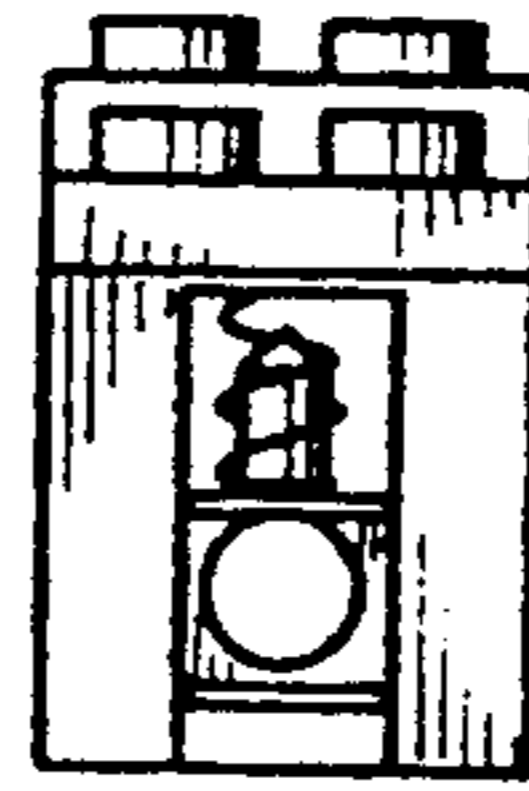


FIG. 2

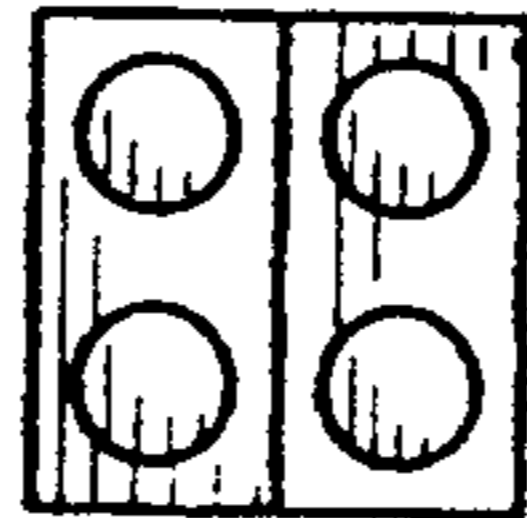


FIG. 5

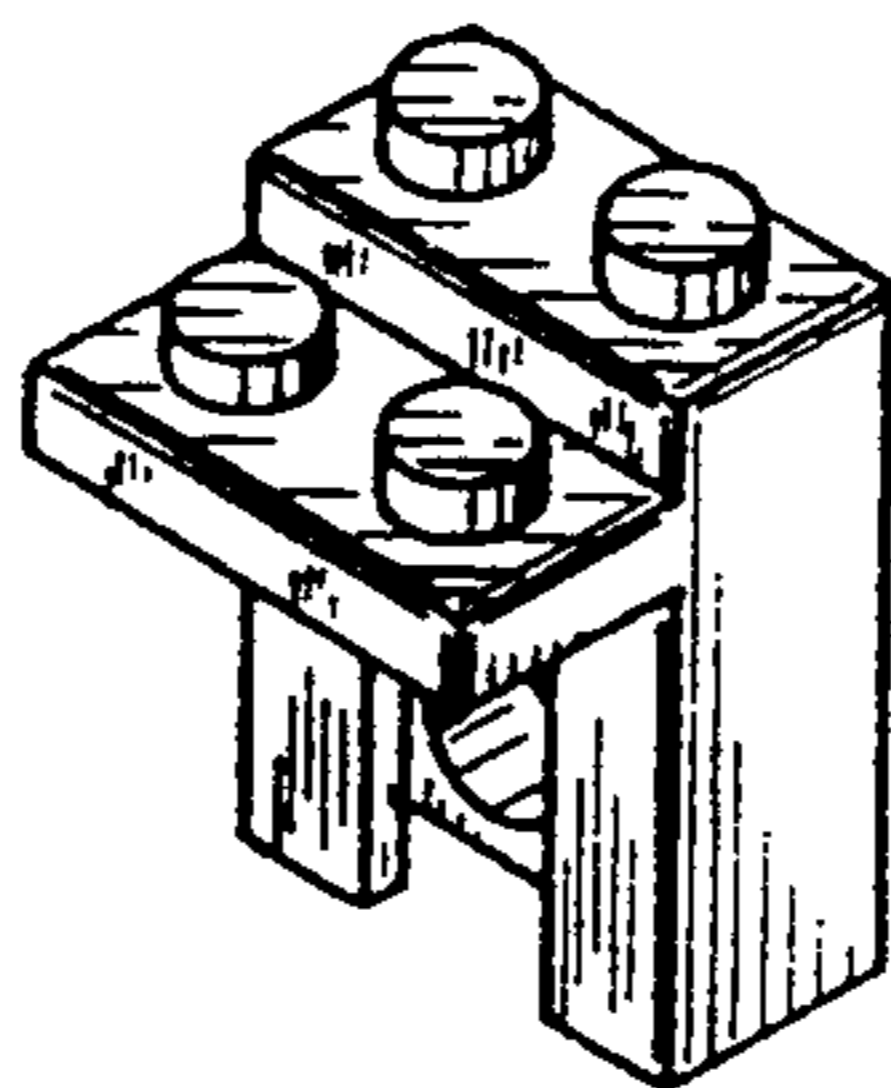


FIG. 1