



US00D326874S

United States Patent [19]

[11] Patent Number: **Des. 326,874**

Dideriksen et al.

[45] Date of Patent: **** Jun. 9, 1992**

[54] ELEMENT FOR A TOY BUILDING SET

[75] Inventors: Erling T. Dideriksen, Billund; Kim Pagel, Vandel, both of Denmark

[73] Assignee: Interlego A.G., Baar, Switzerland

[**] Term: 14 Years

[21] Appl. No.: 621,918

[22] Filed: Dec. 4, 1990

[52] U.S. Cl. D21/108

[58] Field of Search D21/108, 124; D8/382; 446/122, 123, 124, 128

[56] **References Cited**

U.S. PATENT DOCUMENTS

- D. 290,627 6/1987 Dideriksen 446/128
- D. 308,706 6/1990 Mikkelsen D21/108

FOREIGN PATENT DOCUMENTS

- 524764 4/1955 Italy 446/122

OTHER PUBLICATIONS

Danuser Specialty Parts Catalog Cover, Ball Joint Links.

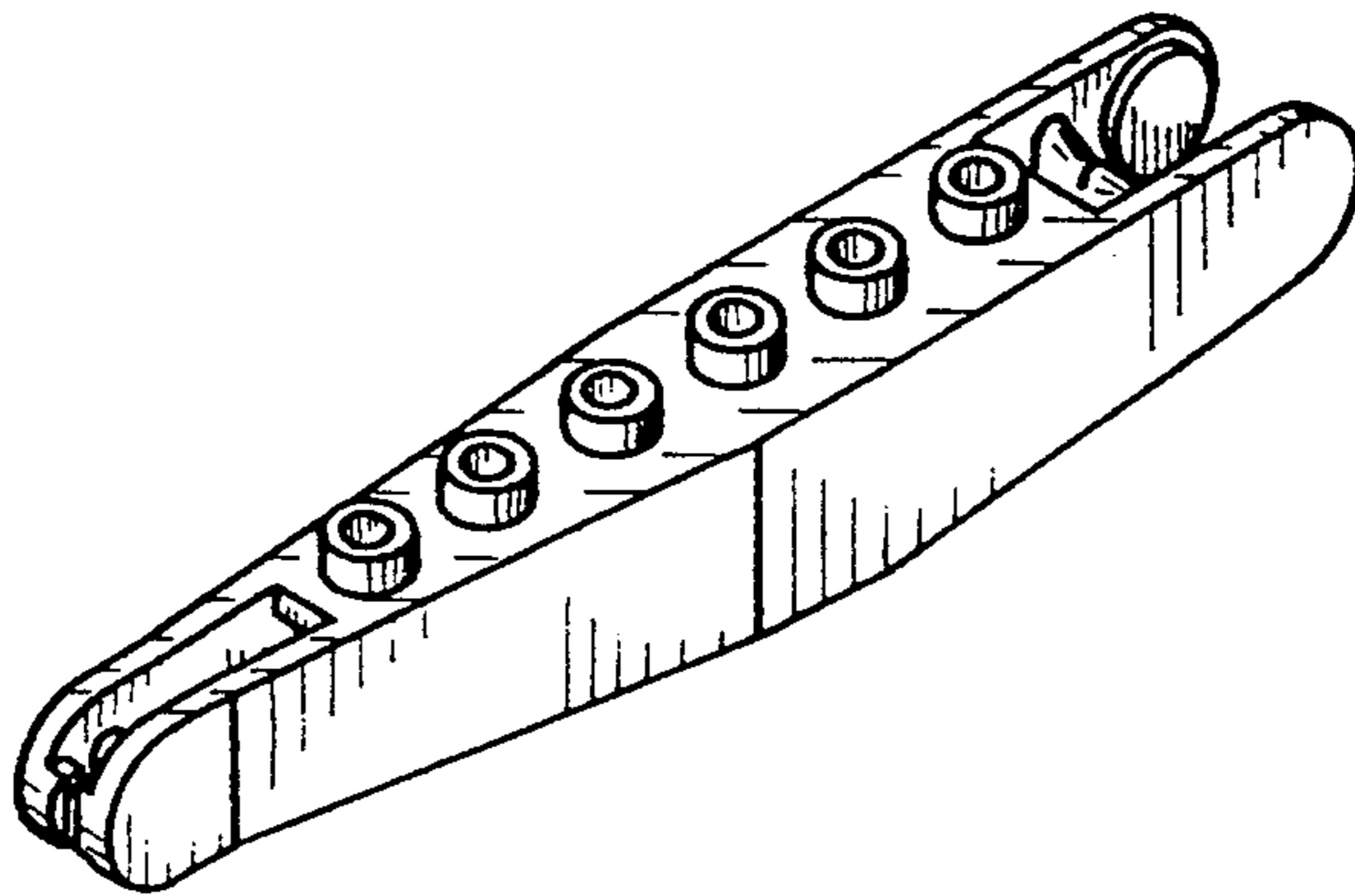
Primary Examiner—Bernard Ansher
Assistant Examiner—R. Barkai
Attorney, Agent, or Firm—Kane, Dalsimer, Sullivan, Kurucz, Levy, Eisele and Richard

[57] **CLAIM**

The ornamental design for an element for a toy building set, as shown and described.

DESCRIPTION

FIG. 1 is a top perspective view of an element for a toy building set showing our new design; FIG. 2 is a front elevational view thereof; FIG. 3 is a right side elevational view thereof, the left side elevational view being a mirror image; FIG. 4 is a rear elevational view thereof; FIG. 5 is a top plan view thereof; and, FIG. 6 is a bottom plan view thereof.



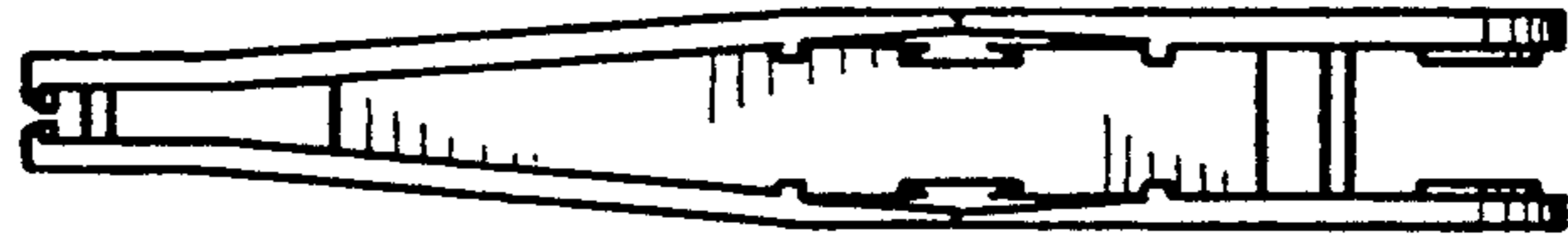


FIG. 6

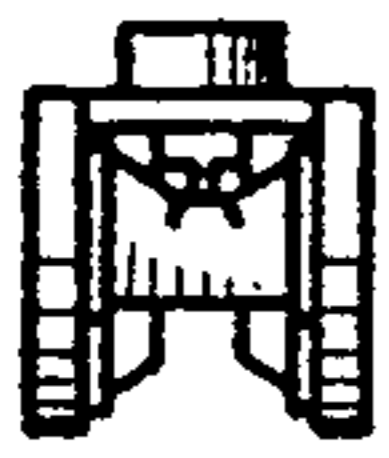


FIG. 4

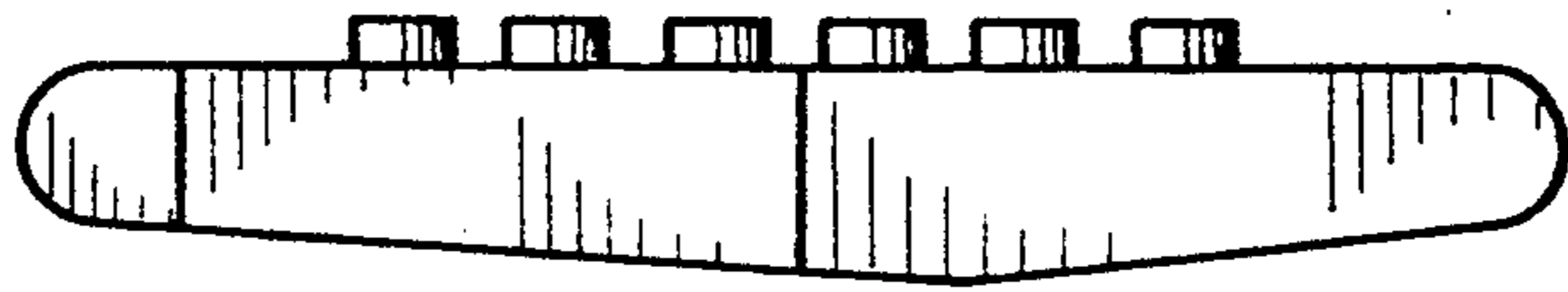


FIG. 3

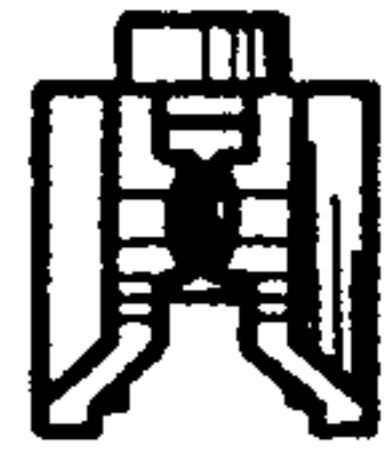


FIG. 2

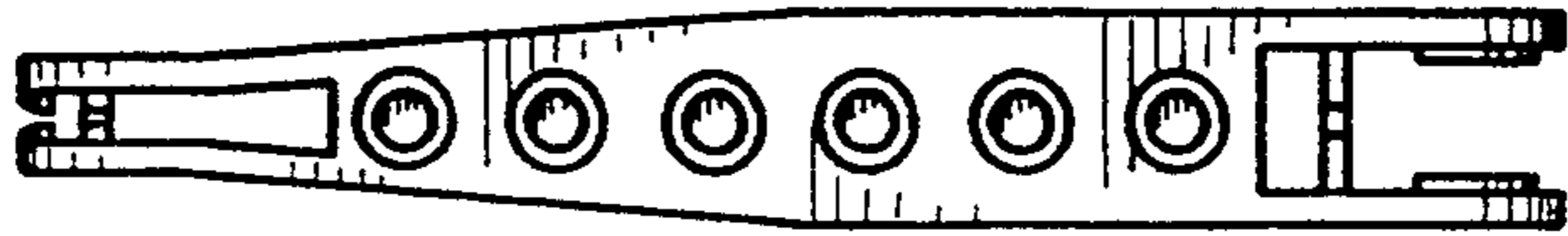


FIG. 5

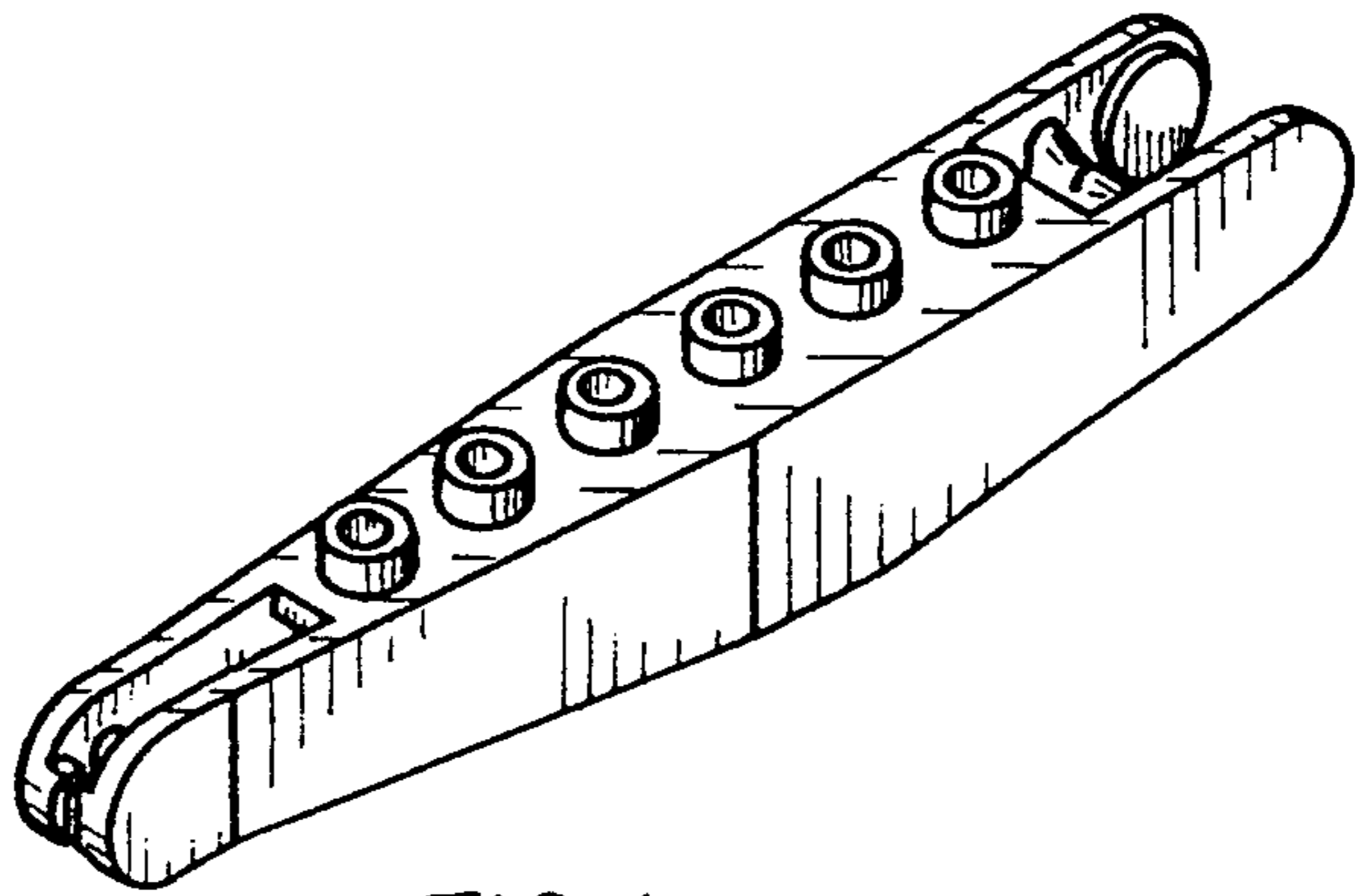


FIG. 1