



US00D326871S

United States Patent [19]

Sabella et al.

[11] Patent Number: **Des. 326,871**

[45] Date of Patent: **** Jun. 9, 1992**

[54] **CARD HOLDER**

[75] Inventors: **Edward J. Sabella; Margaret C. Sweeney**, both of Georgetown, Tex.

[73] Assignee: **International Business Machines Corporation**, Armonk, N.Y.

[**] Term: **14 Years**

[21] Appl. No.: **520,341**

[22] Filed: **May 7, 1990**

[52] U.S. Cl. **D21/54**

[58] Field of Search **D21/54-57;**
273/148 A, 149 R, 149 P

[56] **References Cited**

U.S. PATENT DOCUMENTS

- D. 90,916 10/1933 Lafferty D21/54
- D. 286,167 10/1986 Greitzer D21/54
- D. 291,900 9/1987 Mortensen D21/54

- 1,246,297 11/1917 Michell 273/148 A
- 2,634,132 4/1953 Freedman 273/148 A
- 2,740,632 4/1956 Balmer 273/148 A

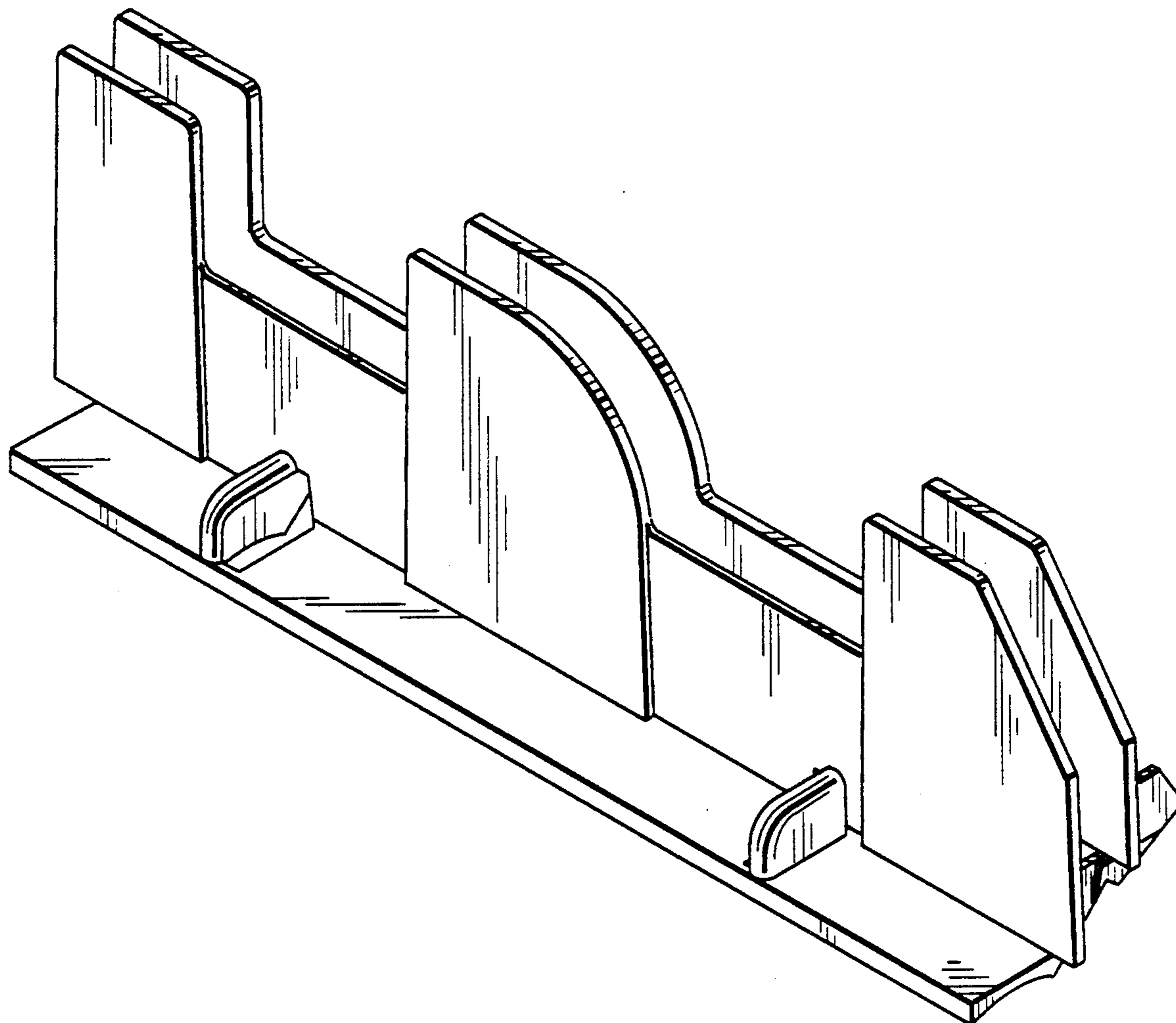
Primary Examiner—Bernard Ansher
Assistant Examiner—Prabhakar Deshmukh
Attorney, Agent, or Firm—Thomas E. Tyson

[57] **CLAIM**

The ornamental design for the card holder, as shown and described.

DESCRIPTION

FIG. 1 is a perspective view of a card holder showing our new design;
FIG. 2 is a front elevational view thereof;
FIG. 3 is a top plan view thereof;
FIG. 4 is a rear elevational view thereof;
FIG. 5 is a bottom plan view thereof;
FIG. 6 is a right side elevational view thereof; and,
FIG. 7 is a left side elevational view thereof.



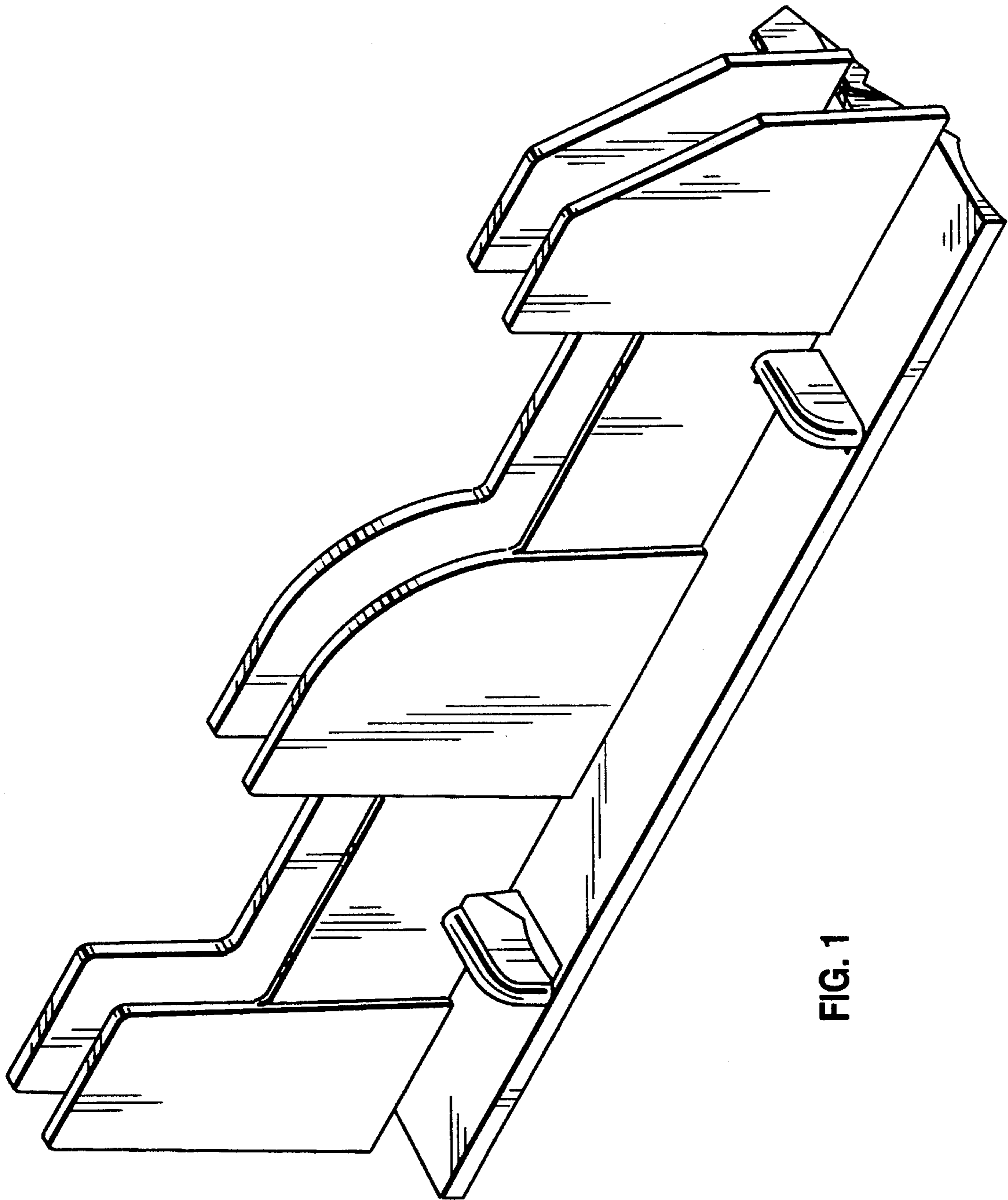


FIG. 1

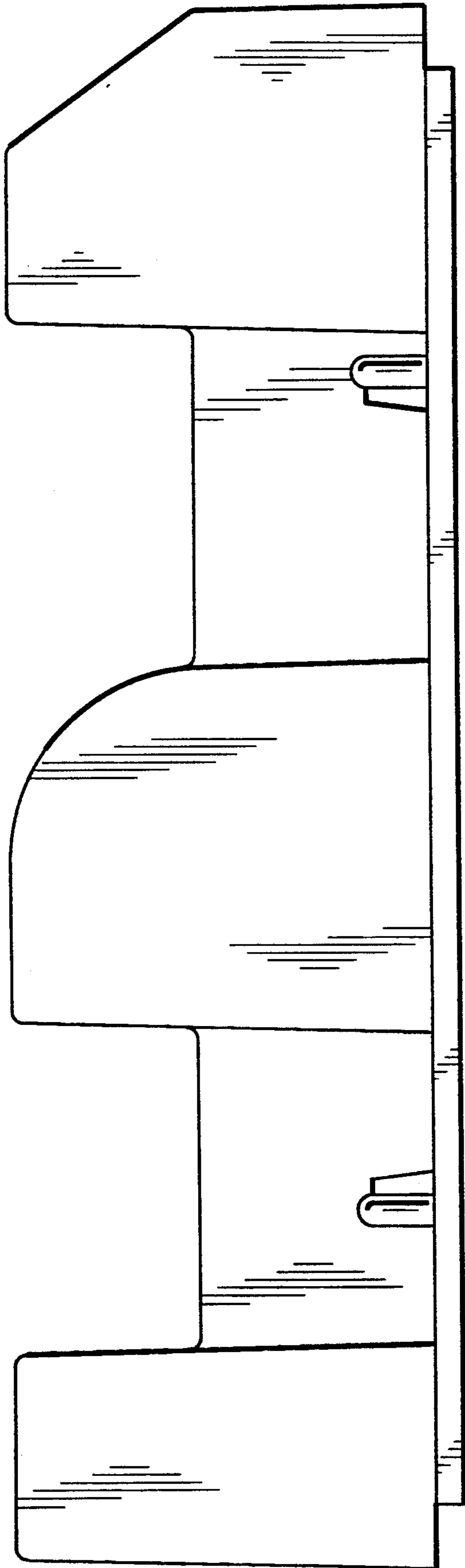


FIG. 2

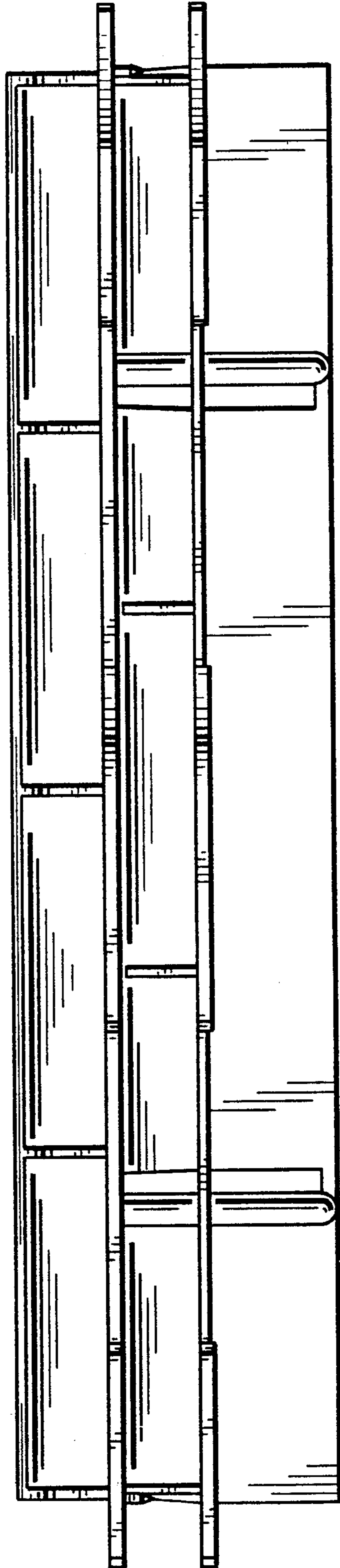


FIG. 3

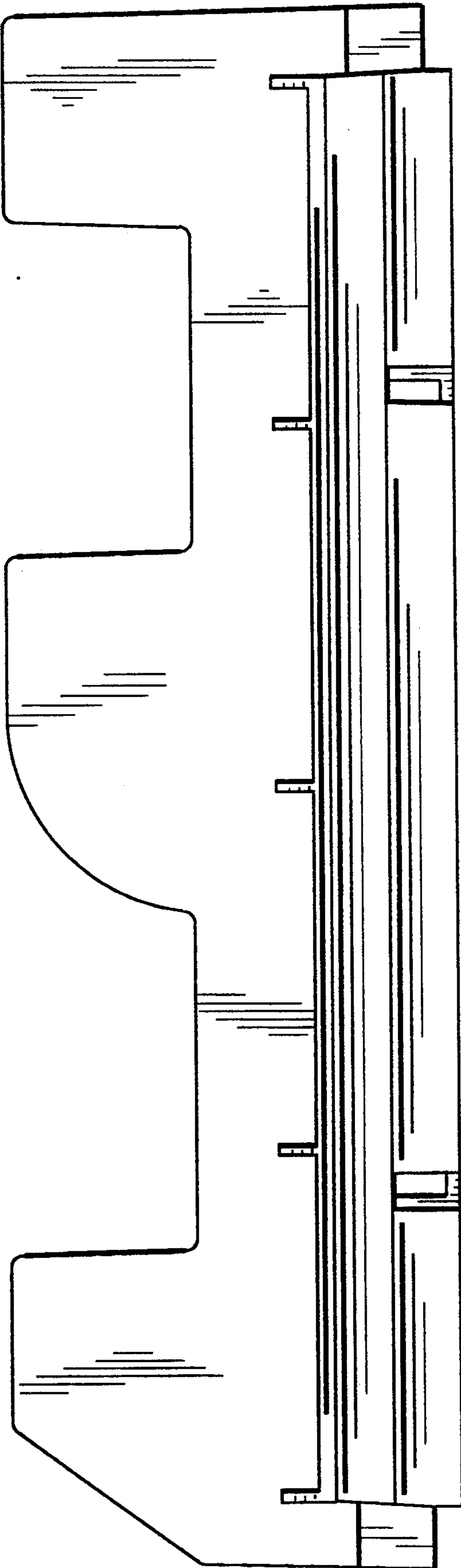


FIG. 4

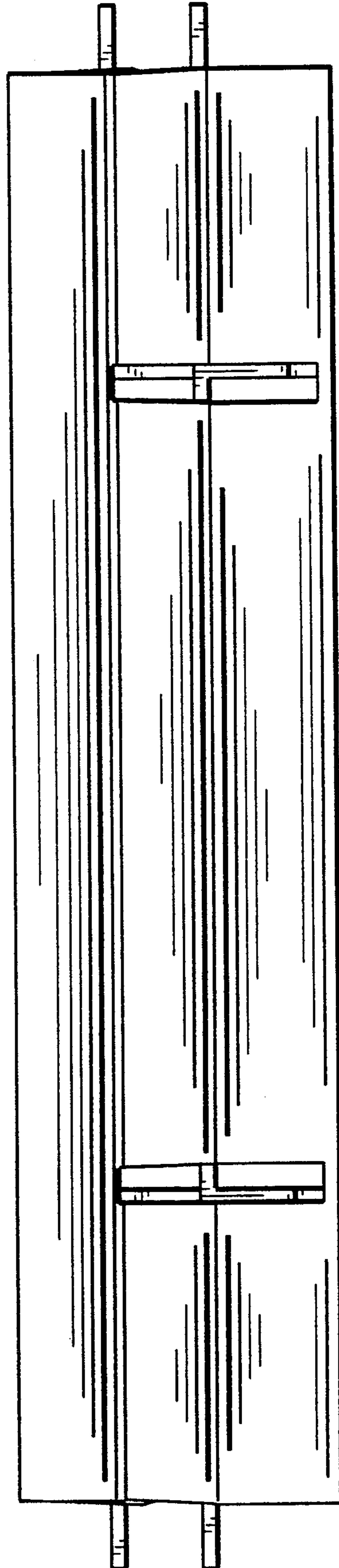


FIG. 5

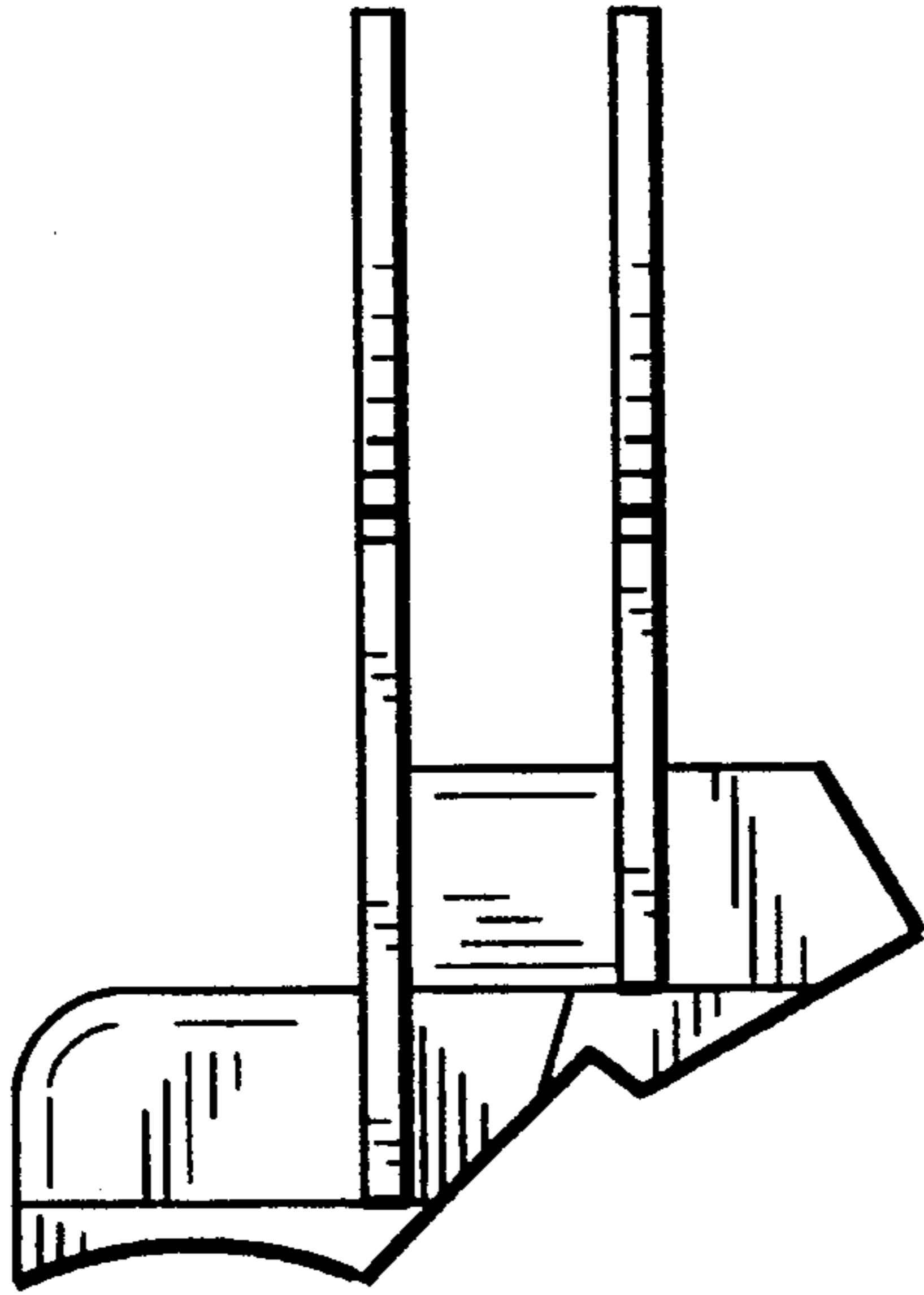


FIG. 6

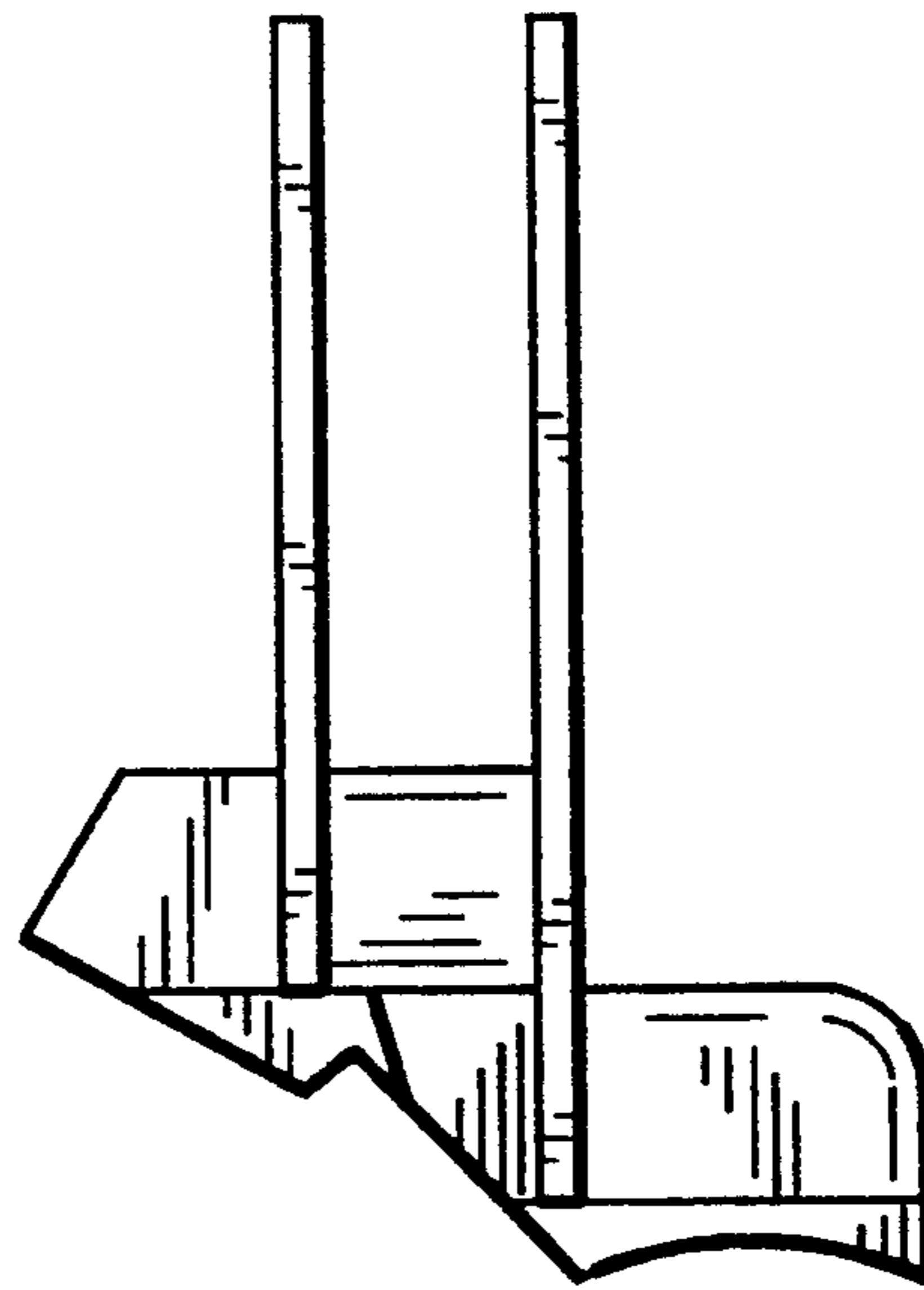


FIG. 7