



US00D326869S

# United States Patent [19]

[11] Patent Number: **Des. 326,869**

Steckler et al.

[45] Date of Patent: **\*\* Jun. 9, 1992**

[54] **NOVELTY CARD DISPENSER FOR A DESKTOP**

[75] Inventors: **David L. Steckler**, 6141 N. 29th Pl., Phoenix, Ariz. 85016; **Jody L. Numbers**, Tempe, Ariz.

[73] Assignee: **David L. Steckler**, Phoenix, Ariz.

[\*\*] Term: **14 Years**

[21] Appl. No.: **490,944**

[22] Filed: **Mar. 8, 1990**

[52] U.S. Cl. .... **D19/86; D19/95; D19/96**

[58] Field of Search ..... **D19/65, 75, 78, 85, D19/86, 90, 95, 99, 100; D9/417, 339; 206/39, 39.1, 39.2, 39.3, 39.4, 39.5, 39.6, 39.7, 39.8; 221/24, 32, 33, 34, 45, 46**

[56] **References Cited**

**U.S. PATENT DOCUMENTS**

- D. 248,330 6/1978 Postma ..... D19/85
- D. 249,868 10/1978 Russert ..... D9/339
- D. 249,931 10/1978 Russert ..... D9/417

- 922,272 5/1909 Garrod ..... 206/39.4
- 1,126,139 1/1915 Walker ..... 206/39.5
- 1,157,649 10/1915 Templeton ..... 83/456
- 2,774,470 12/1956 Q'Part ..... D9/417 X
- 3,209,962 10/1965 Wassell ..... D9/417 X
- 3,397,818 8/1968 Rey ..... 206/39.5
- 3,929,339 12/1975 Mattioli ..... 206/39.4 X
- 4,995,507 2/1991 Schafer ..... 206/39.7

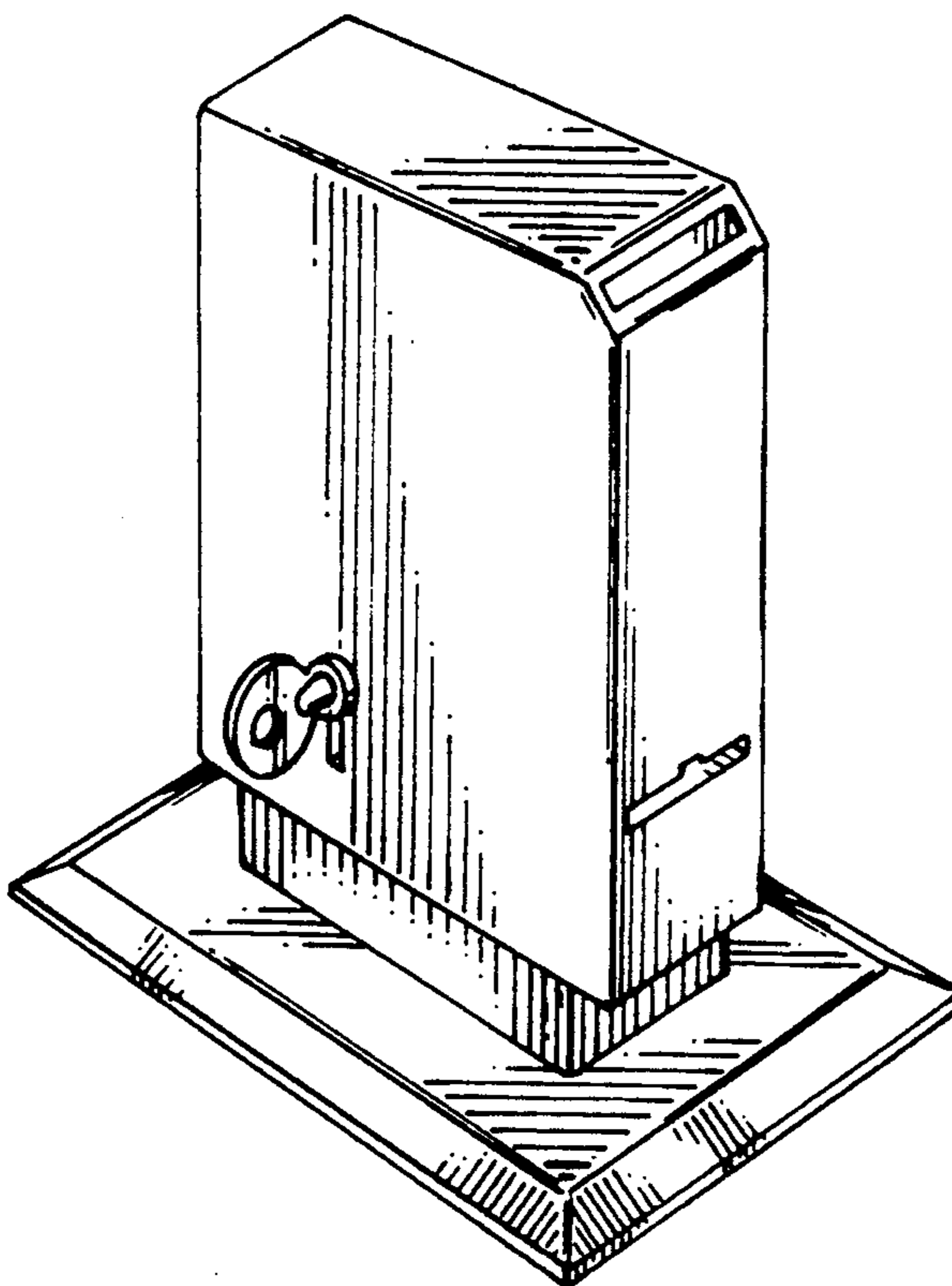
*Primary Examiner*—Donald P. Walsh  
*Assistant Examiner*—Martha Thompson  
*Attorney, Agent, or Firm*—Cahill, Sutton & Thomas

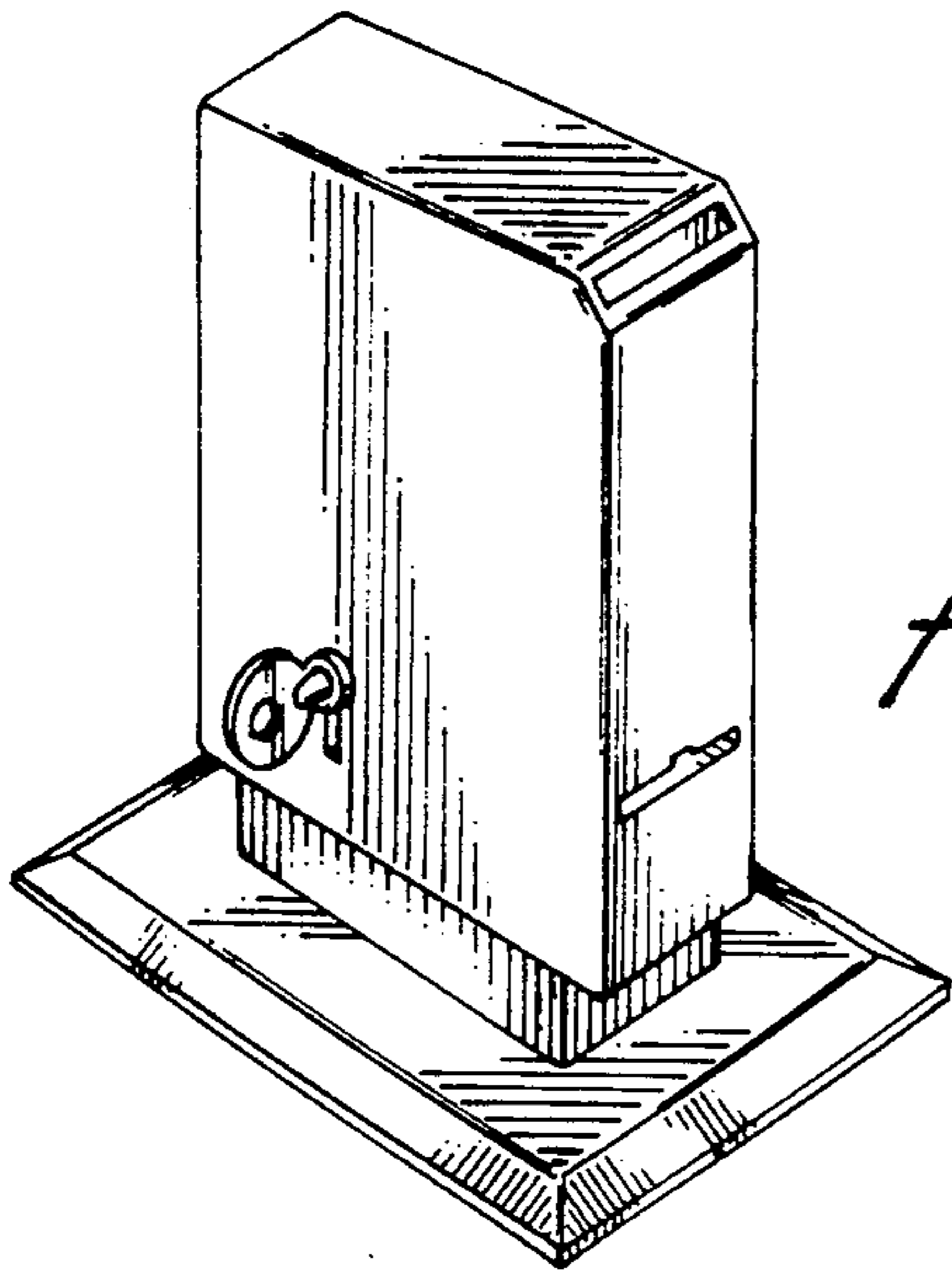
[57] **CLAIM**

The ornamental design for a novelty card dispenser for a desktop, as shown and described.

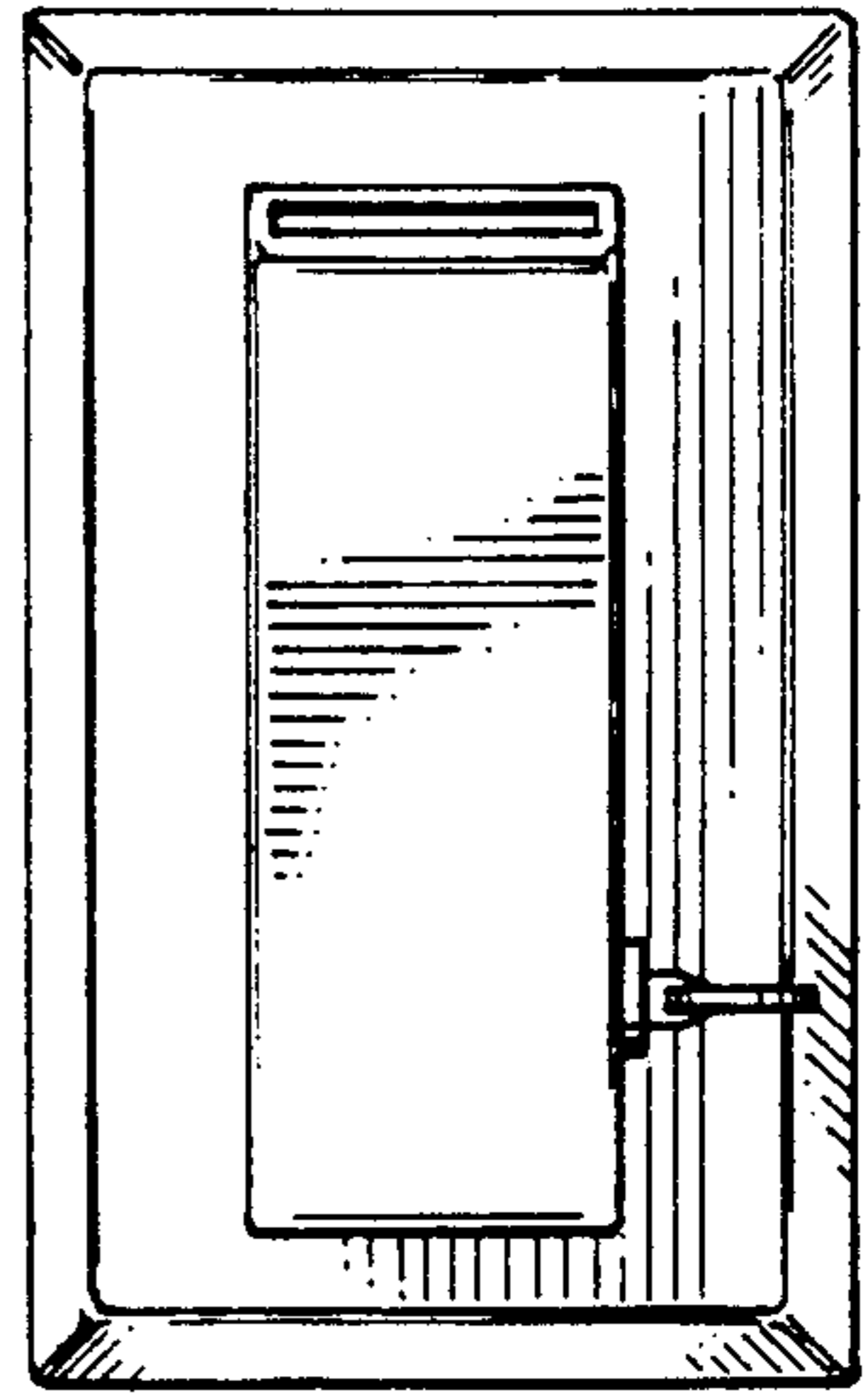
**DESCRIPTION**

FIG. 1 is a top, left front perspective view of a novelty card dispenser for a desktop showing our new design; FIG. 2 is a front elevational view drawn to an enlarged scale; FIG. 3 is a right side elevational view of FIG. 2; FIG. 4 is a rear elevational view of FIG. 2; FIG. 5 is a bottom plan view of FIG. 2; and, FIG. 6 is a top plan view of FIG. 2.

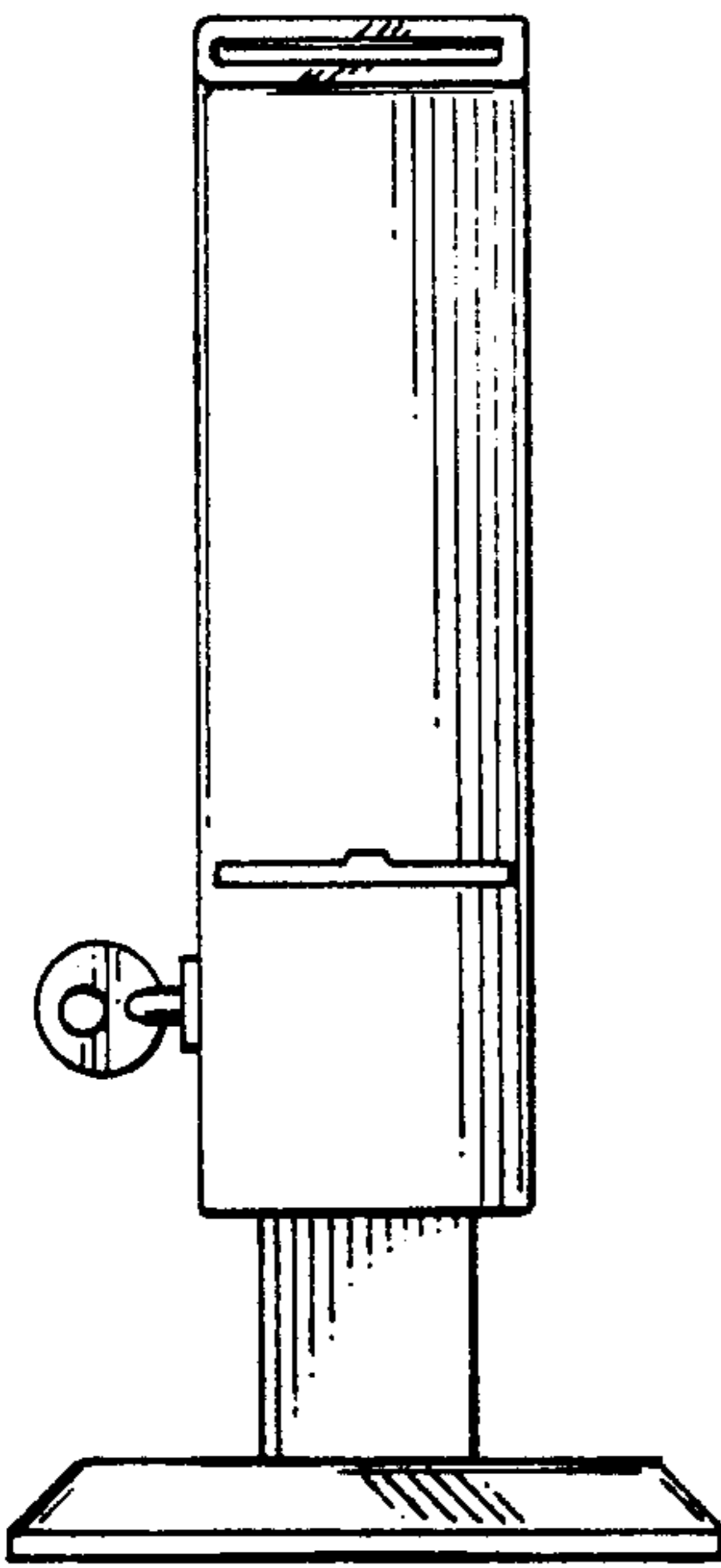




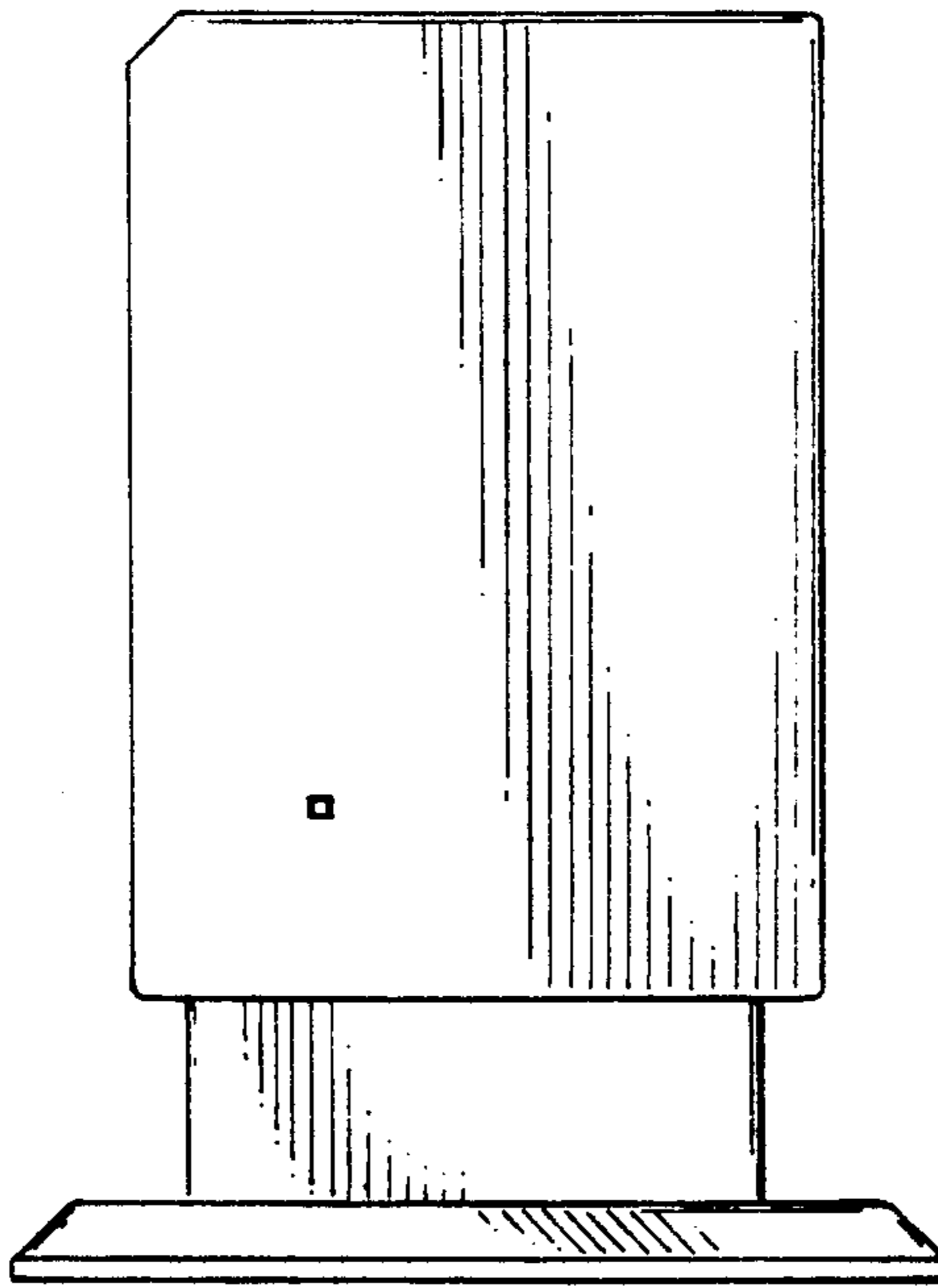
*fig. 1*



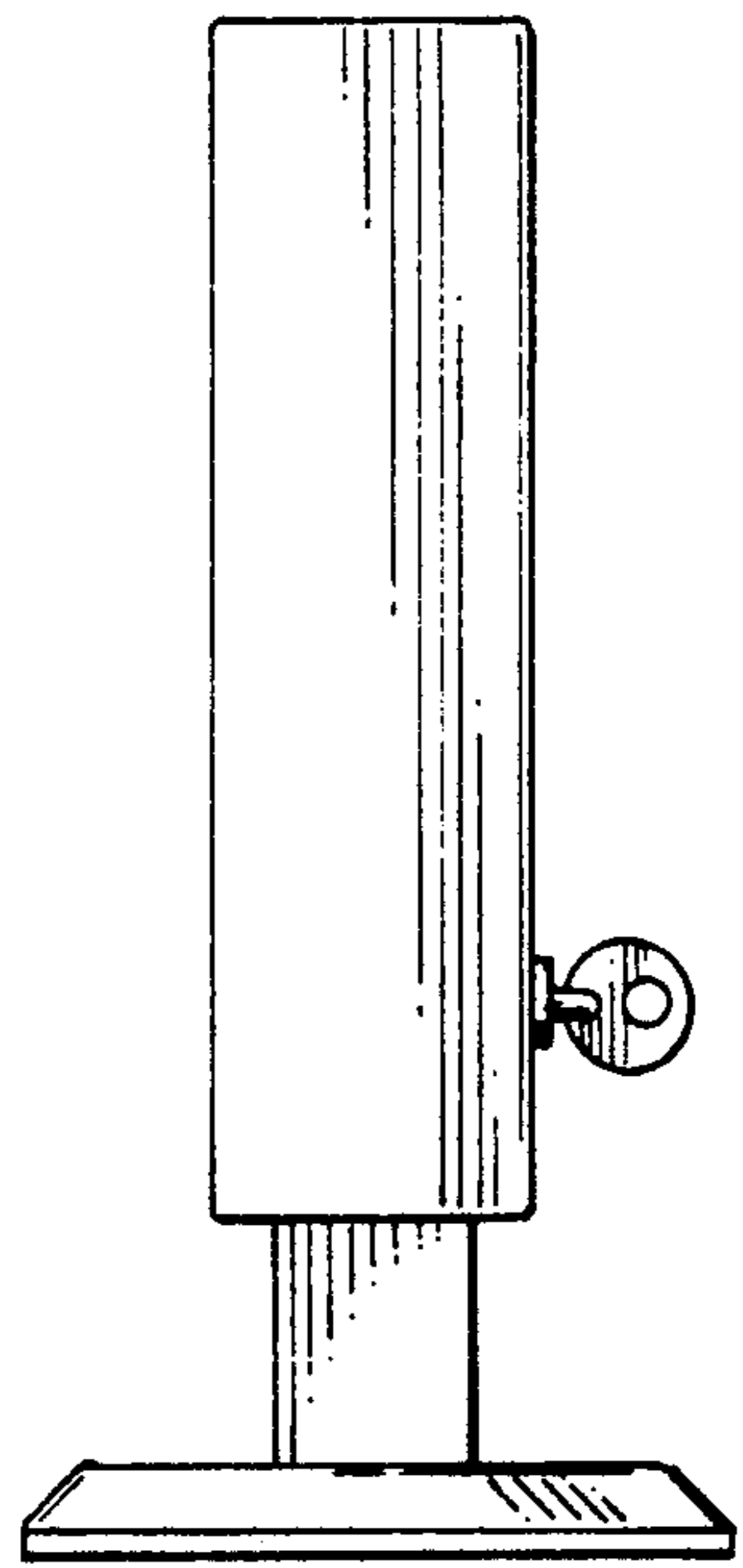
*fig. 6*



*fig. 2*



*fig. 3*



*fig. 4*

*fig. 5*

