



US00D326867S

United States Patent [19] Kwak

[11] Patent Number: Des. 326,867
[45] Date of Patent: ** Jun. 9, 1992

[54] LASER BEAM PRINTER
[75] Inventor: Jin-keun Kwak, Kyunggi, Rep. of Korea
[73] Assignee: Samsung Electronics Co., Ltd., Kyunggi, Rep. of Korea
[**] Term: 14 Years
[21] Appl. No.: 635,333
[22] Filed: Dec. 28, 1990

D. 308,219 5/1990 Yoshida D18/55
D. 308,695 6/1990 Eto D18/55
D. 313,613 1/1991 Nagaya D18/55

FOREIGN PATENT DOCUMENTS

5928017 12/1986 Japan D18/55
5940889 12/1986 Japan D18/55
6041701 4/1988 Japan D18/55
6014682 1/1989 Japan D18/55

[30] Foreign Application Priority Data
Nov. 13, 1990 [KR] Rep. of Korea 90/15857
[52] U.S. Cl. D18/55
[58] Field of Search 101/9, 18, 21, 28-29,
101/41-42, 130, 287, 420, 316; 400/691-694,
613.1-613.4, 613, 624; D18/50, 53-55, 36, 37;
D14/118

OTHER PUBLICATIONS

Genicom 5010 Laser Printer brochure; p. 5.
Canon LBP-8II Laser Beam Printer; 1987; cover page.

Primary Examiner—A. Hugo Word
Assistant Examiner—CathyAnne MacCormac
Attorney, Agent, or Firm—Leydig, Voit & Mayer

[56] References Cited U.S. PATENT DOCUMENTS

D. 197,540 2/1964 Knowles D18/55
D. 281,256 11/1985 Yamamoto D18/37
D. 284,006 5/1986 Freijd D18/55
D. 291,095 7/1987 Morozumi et al. D18/55
D. 293,247 12/1987 Nakade D18/55
D. 305,774 1/1990 Yomo D18/55
D. 306,744 3/1990 Yomo D18/55
D. 307,764 5/1990 Kojima D18/55

[57] CLAIM
The ornamental design for a laser beam printer, as shown and described.

DESCRIPTION

FIG. 1 is a top front perspective view of a laser beam printer showing my new design;
FIG. 2 is a front elevational view thereof;
FIG. 3 is a rear elevational view thereof;
FIG. 4 is a top plan view thereof;
FIG. 5 is a bottom plan view thereof;
FIG. 6 is a right side elevational view thereof; and,
FIG. 7 is a left side elevational view thereof.

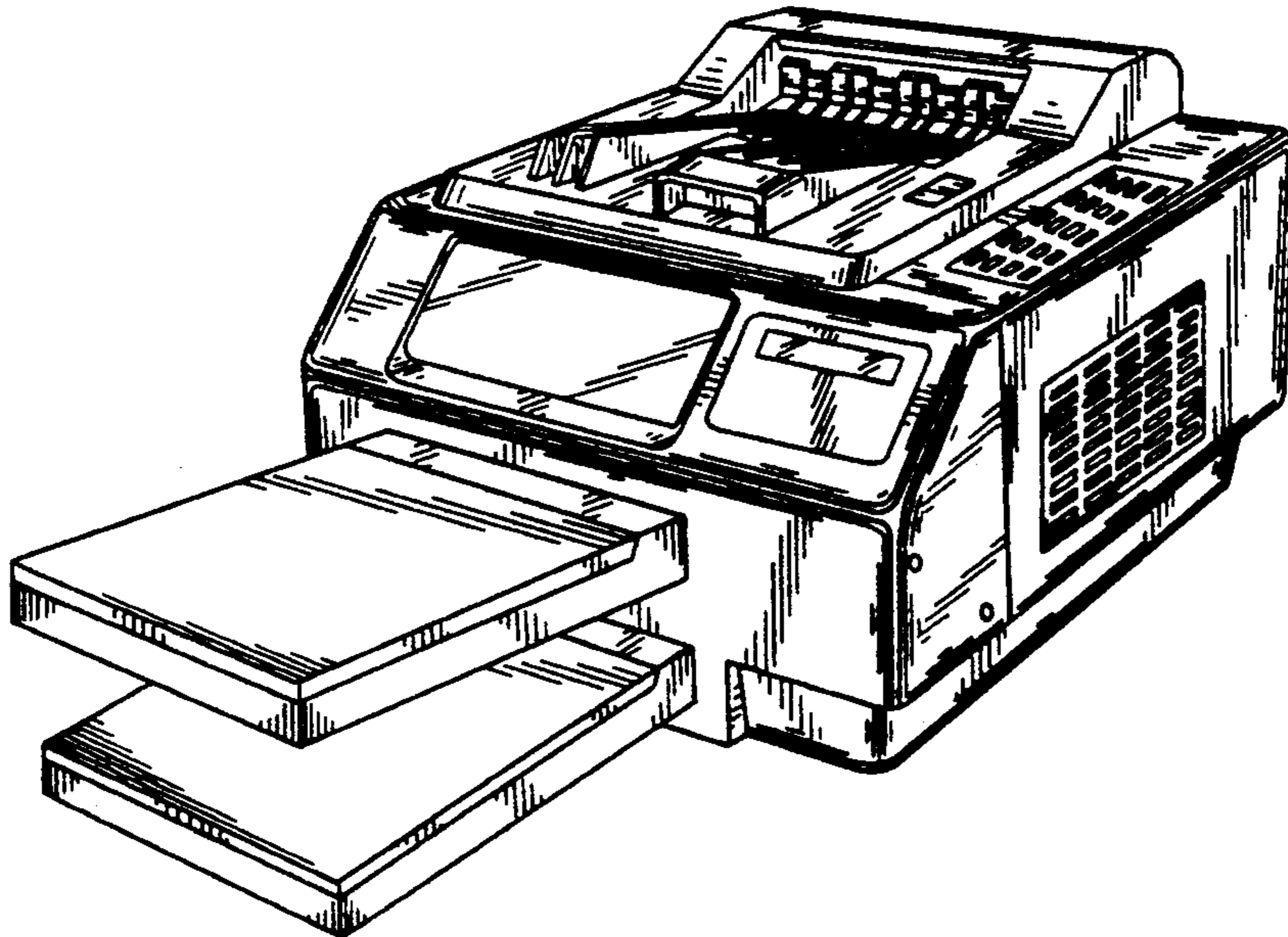


FIG. 1

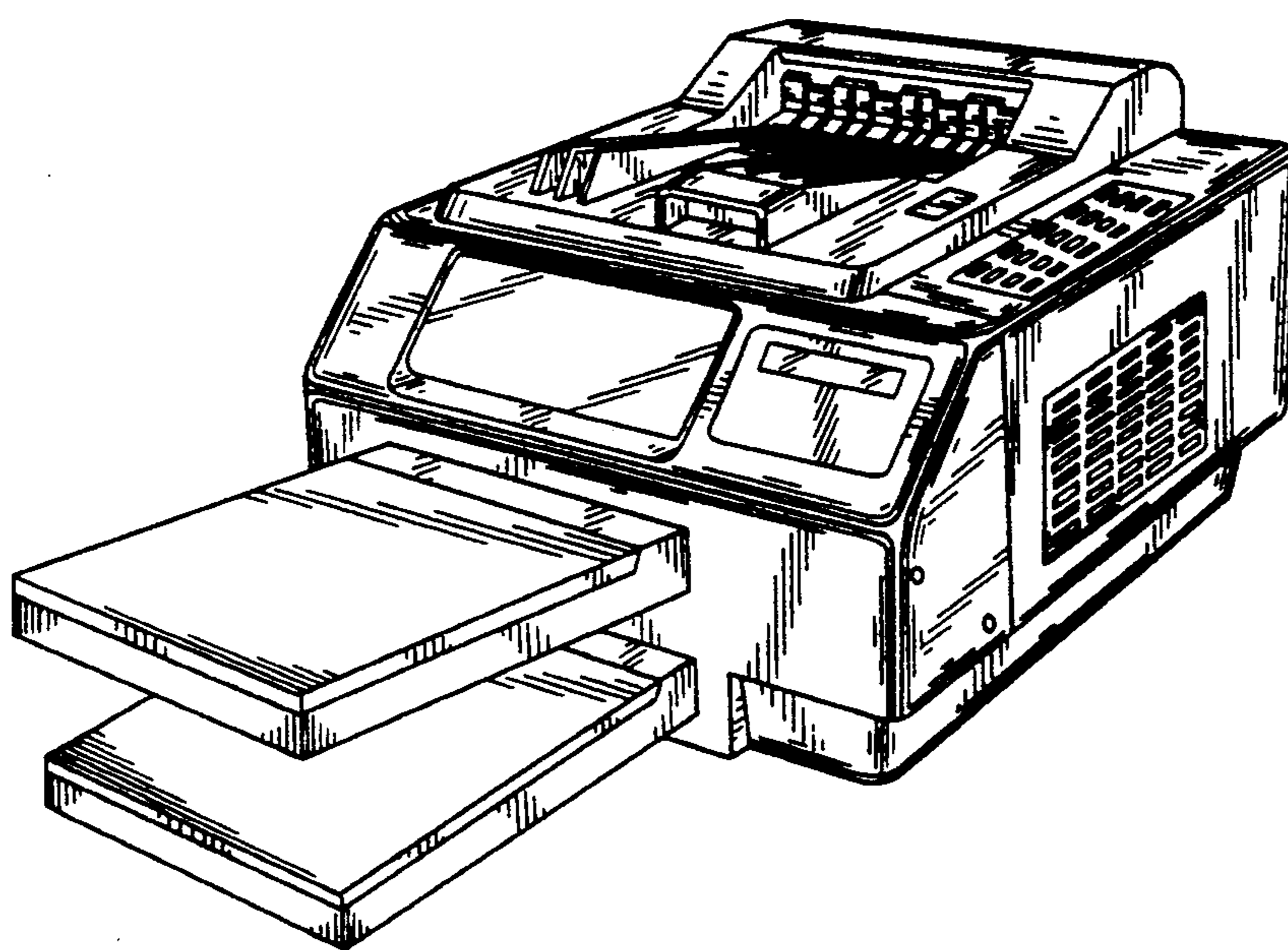


FIG. 2

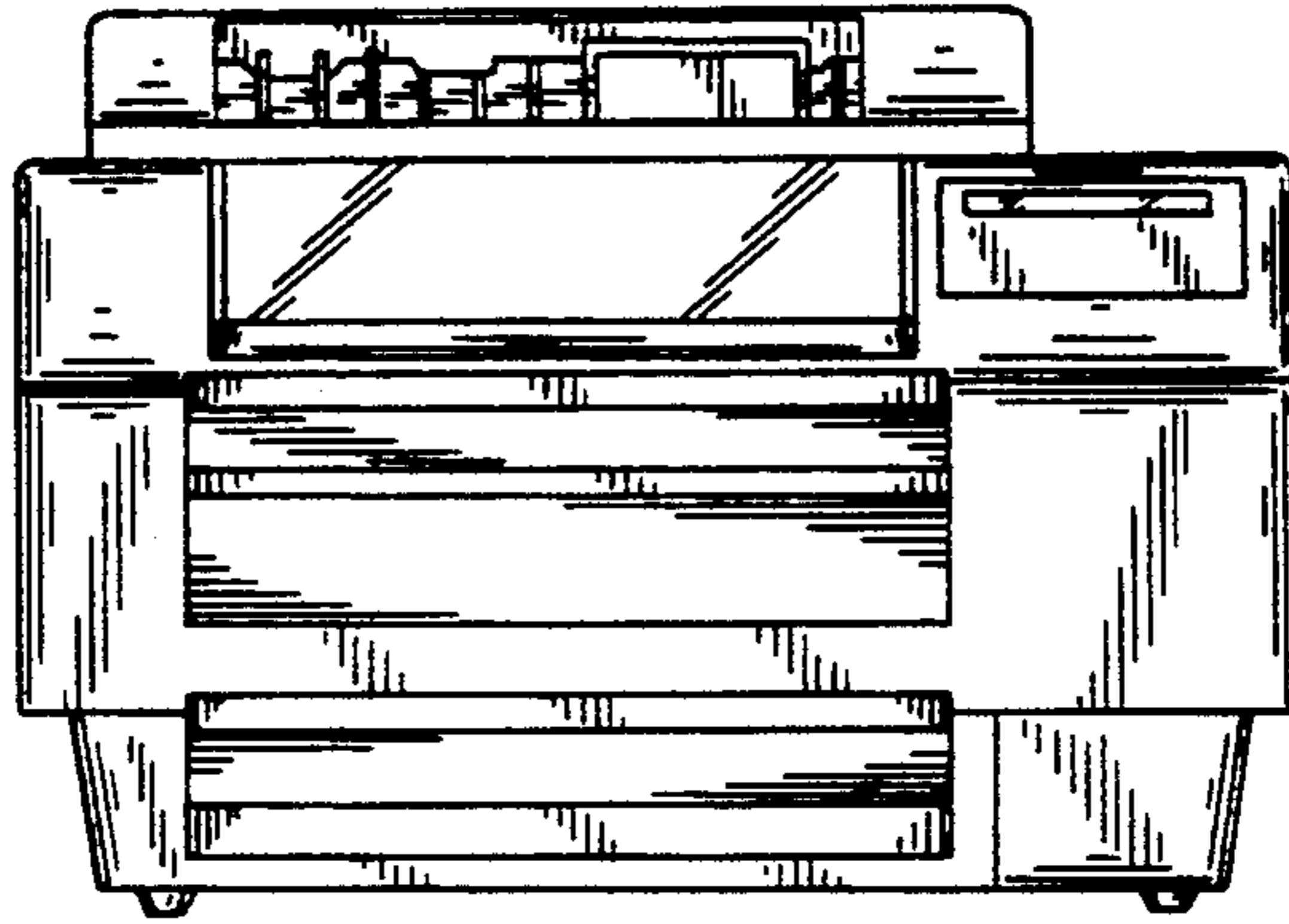


FIG. 3

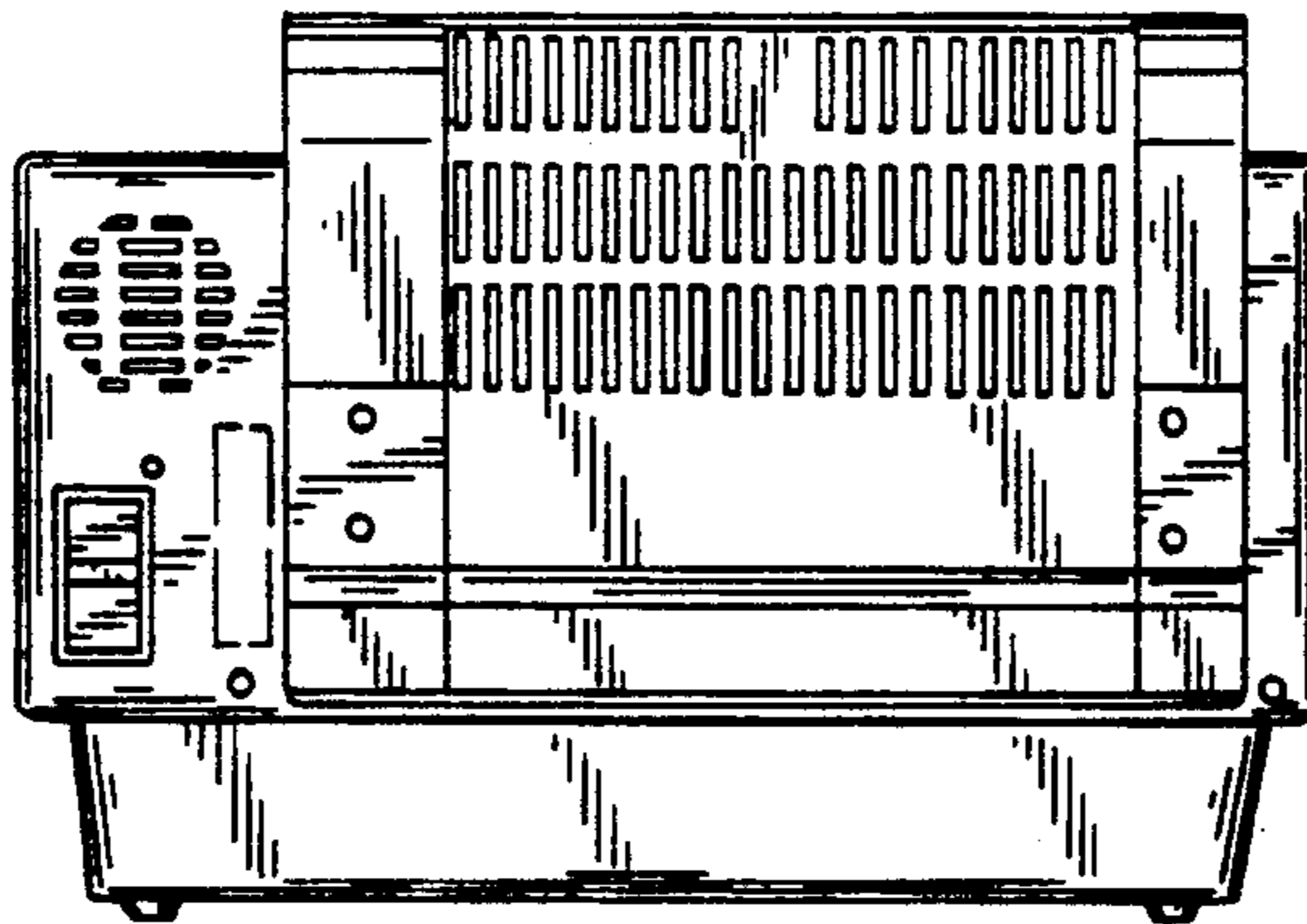


FIG. 4

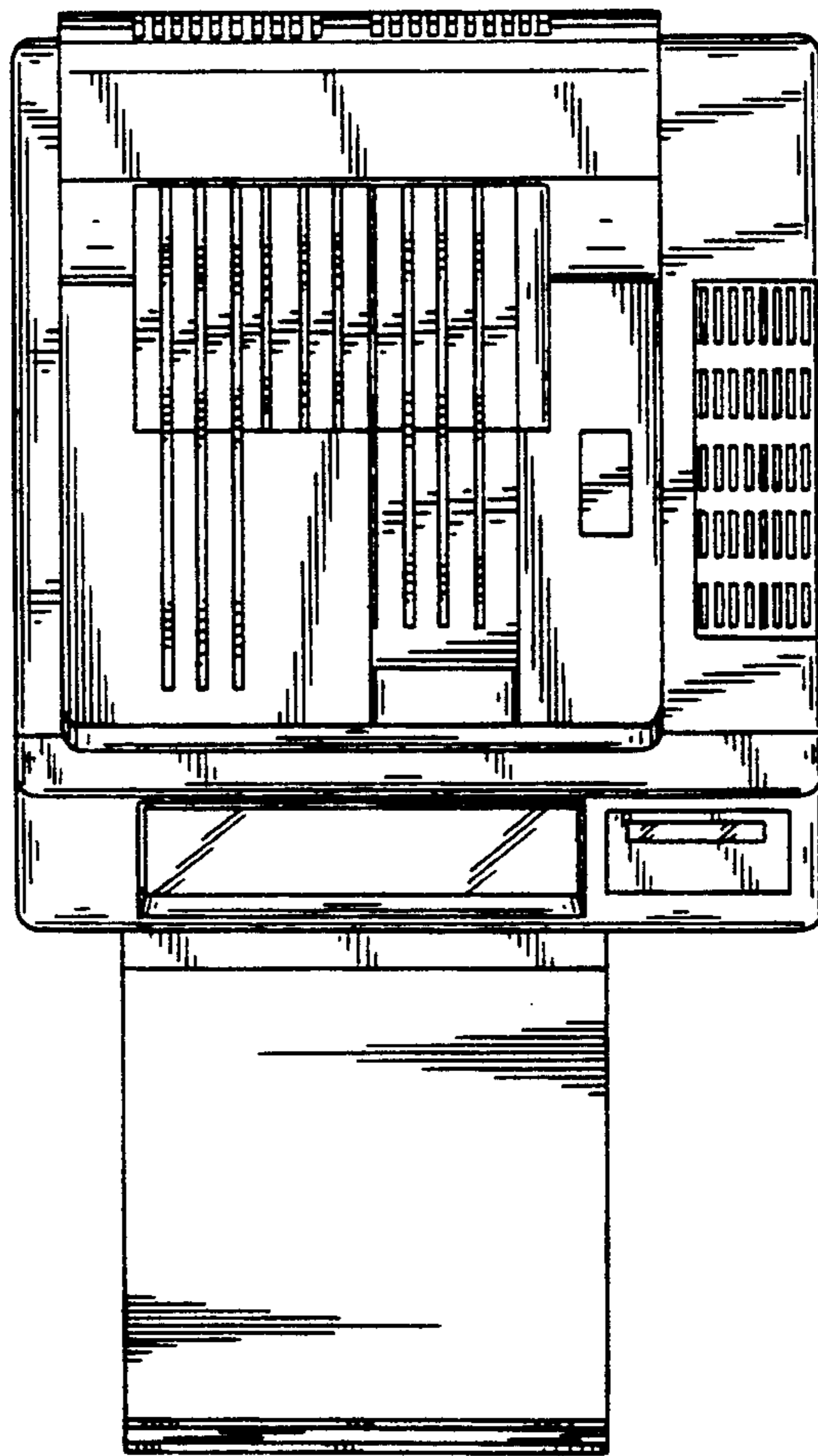


FIG. 5

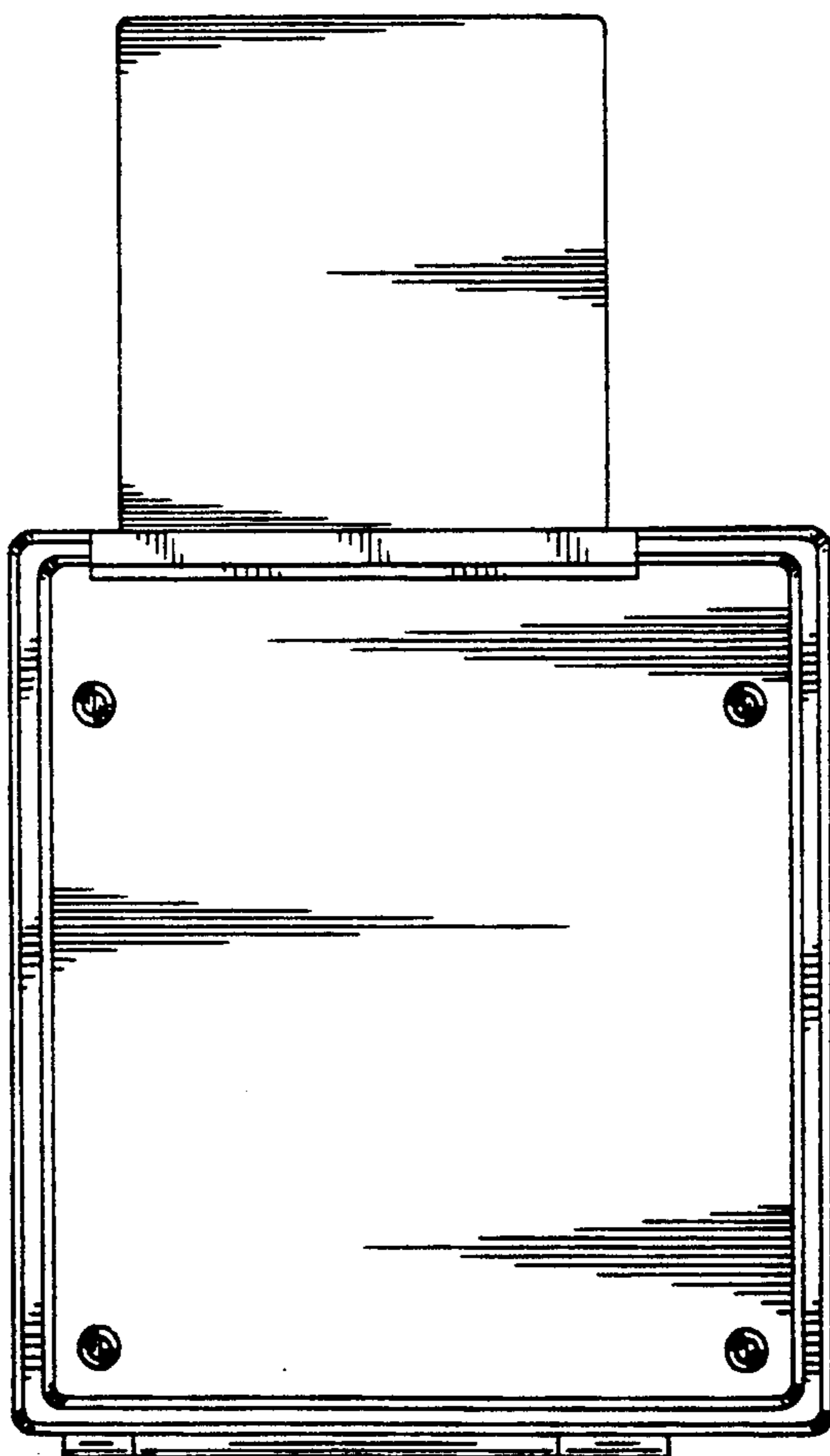


FIG. 6

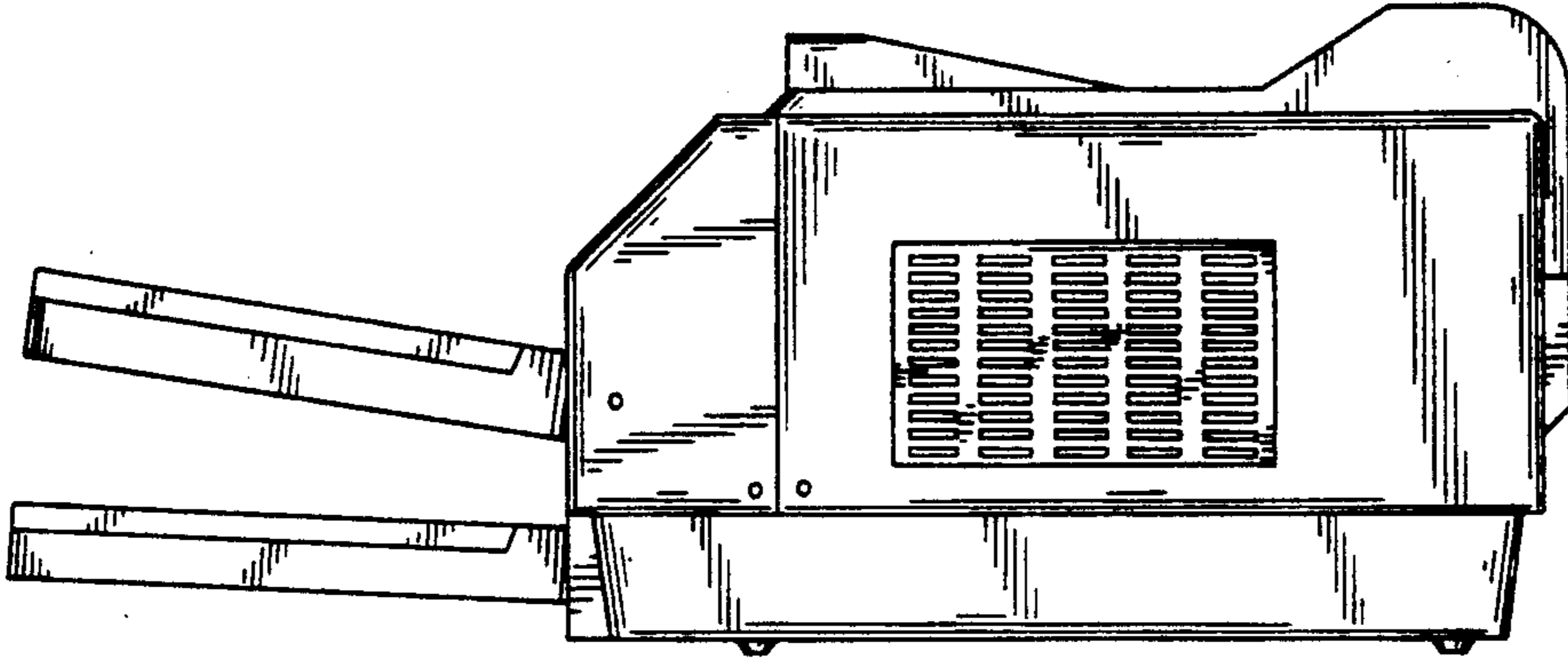


FIG. 7

