



US00D326865S

United States Patent [19]

[11] Patent Number: **Des. 326,865**

Satoh

[45] Date of Patent: **** Jun. 9, 1992**

[54] **HAND STAMP**

[75] Inventor: **Akira Satoh, Bisai, Japan**

[73] Assignee: **Shachihata industrial co., ltd., Japan**

[**] Term: **14 Years**

[21] Appl. No.: **515,821**

[22] Filed: **Apr. 27, 1990**

[30] **Foreign Application Priority Data**

Feb. 23, 1990 [JP] Japan 2-5896

[52] U.S. Cl. **D18/15**

[58] Field of Search **D18/40, 56, 57, 58, D18/14, 15, 17, 18; 101/327, 333, 334, 103, 405; D19/65, 70, 71, 99, 100**

[56] **References Cited**

U.S. PATENT DOCUMENTS

D. 160,469	10/1950	Brenner	D18/15
D. 196,529	10/1963	Moser et al.	D18/15
D. 232,485	8/1974	Funahashi	D18/15
D. 233,563	11/1974	Funahashi	D18/15
D. 261,006	9/1981	Wall et al.	D18/15
D. 280,911	10/1985	Rhoades	D18/15
2,891,472	6/1959	Holzer	101/333
4,289,070	9/1981	MacGregor	101/327
4,392,425	7/1983	Capezzuto et al.	101/327
4,432,281	2/1984	Wall et al.	101/334
4,492,162	1/1985	Nettesheim et al.	101/103

FOREIGN PATENT DOCUMENTS

45-40651 1/1948 Japan .

47-40934	3/1950	Japan .
53-38142	3/1955	Japan .
50-18482	3/1982	Japan .
59-48528	6/1987	Japan .

Primary Examiner—James R. Largen
Assistant Examiner—CathyAnne MacCormac
Attorney, Agent, or Firm—Mason, Fenwick & Lawrence

[57] CLAIM

The ornamental design for a hand stamp, as shown and described.

DESCRIPTION

FIG. 1 is a perspective view of a hand stamp showing my new design;
 FIG. 2 is a front elevational view thereof, the rear being identical to the front view shown;
 FIG. 3 is a side elevational view thereof, the opposite side being identical to the side shown;
 FIG. 4 is a top plan view thereof;
 FIG. 5 is a bottom plan view thereof;
 FIG. 6 is a front elevational view of FIG. 1 showing the bottom cap removed for purposes of illustration, the rear view being identical;
 FIG. 7 is a side elevational view of FIG. 7, the opposite side being identical;
 FIG. 8 is a bottom plan view of FIG. 6;
 FIG. 9 is a perspective view of the cap;
 FIG. 10 is a cross sectional view taken along line 10—10 of FIG. 4; and,
 FIG. 11 is a cross sectional view taken along line 11—11 of FIG. 5.

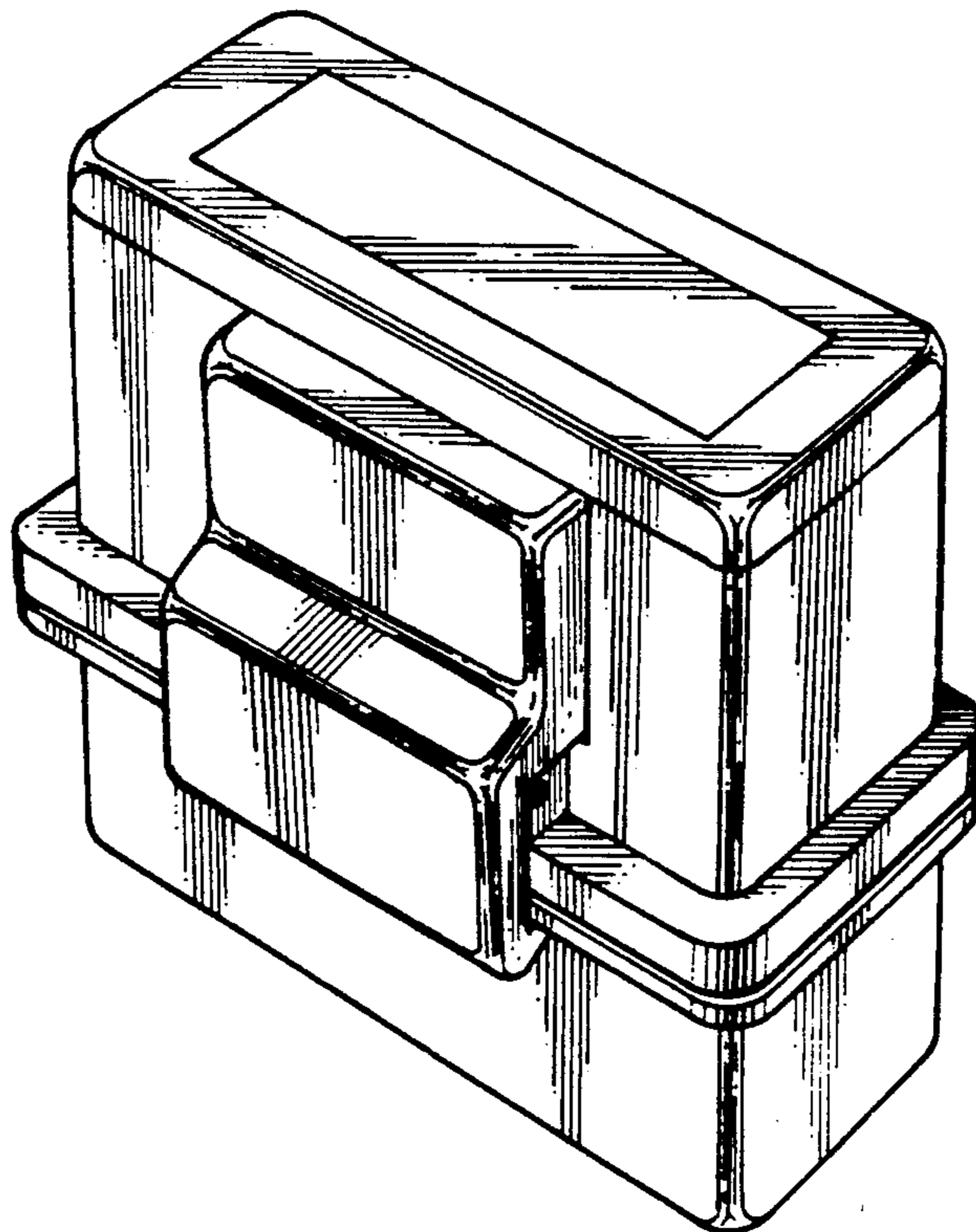


FIG. 1

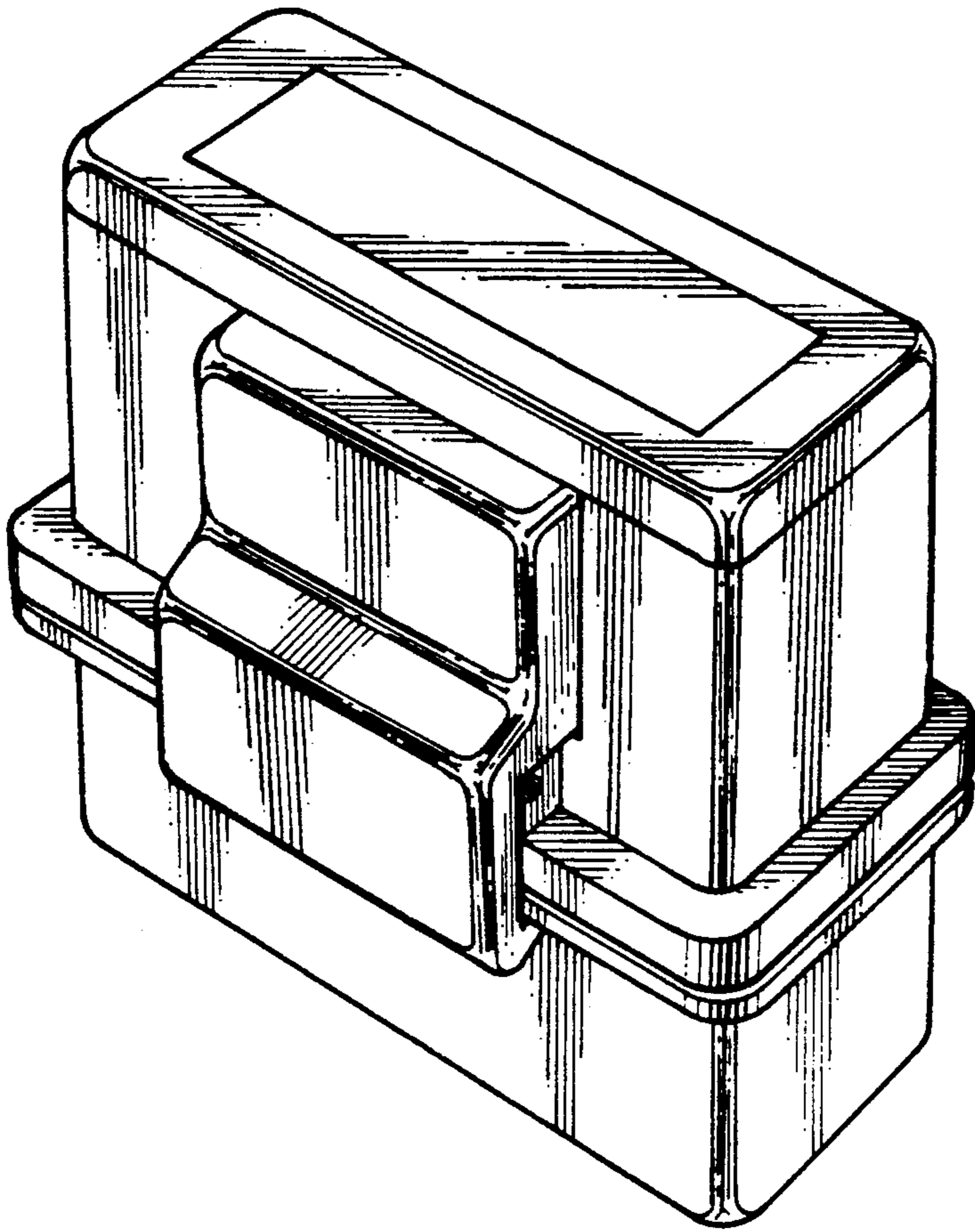


FIG. 2

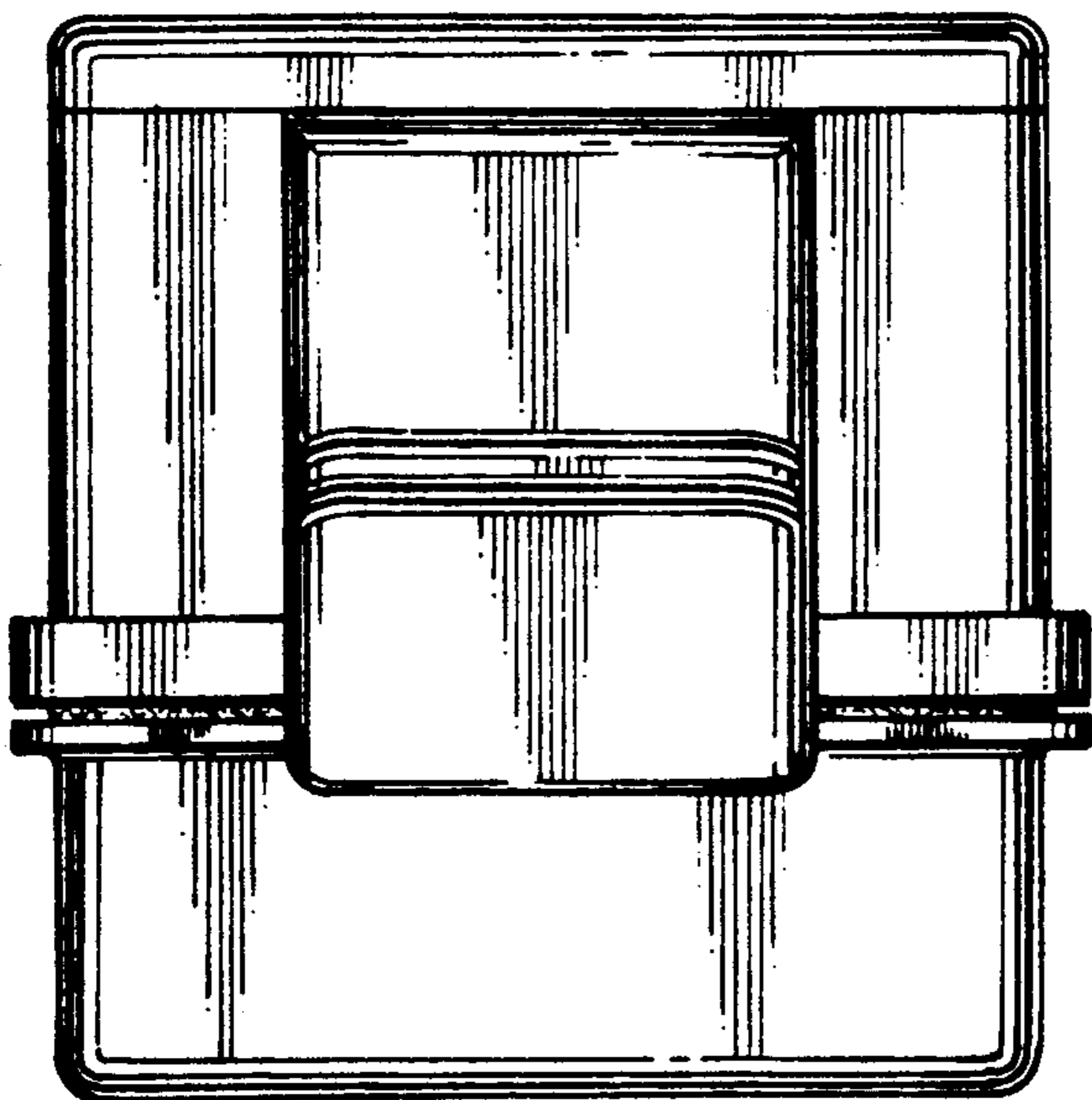


FIG. 3

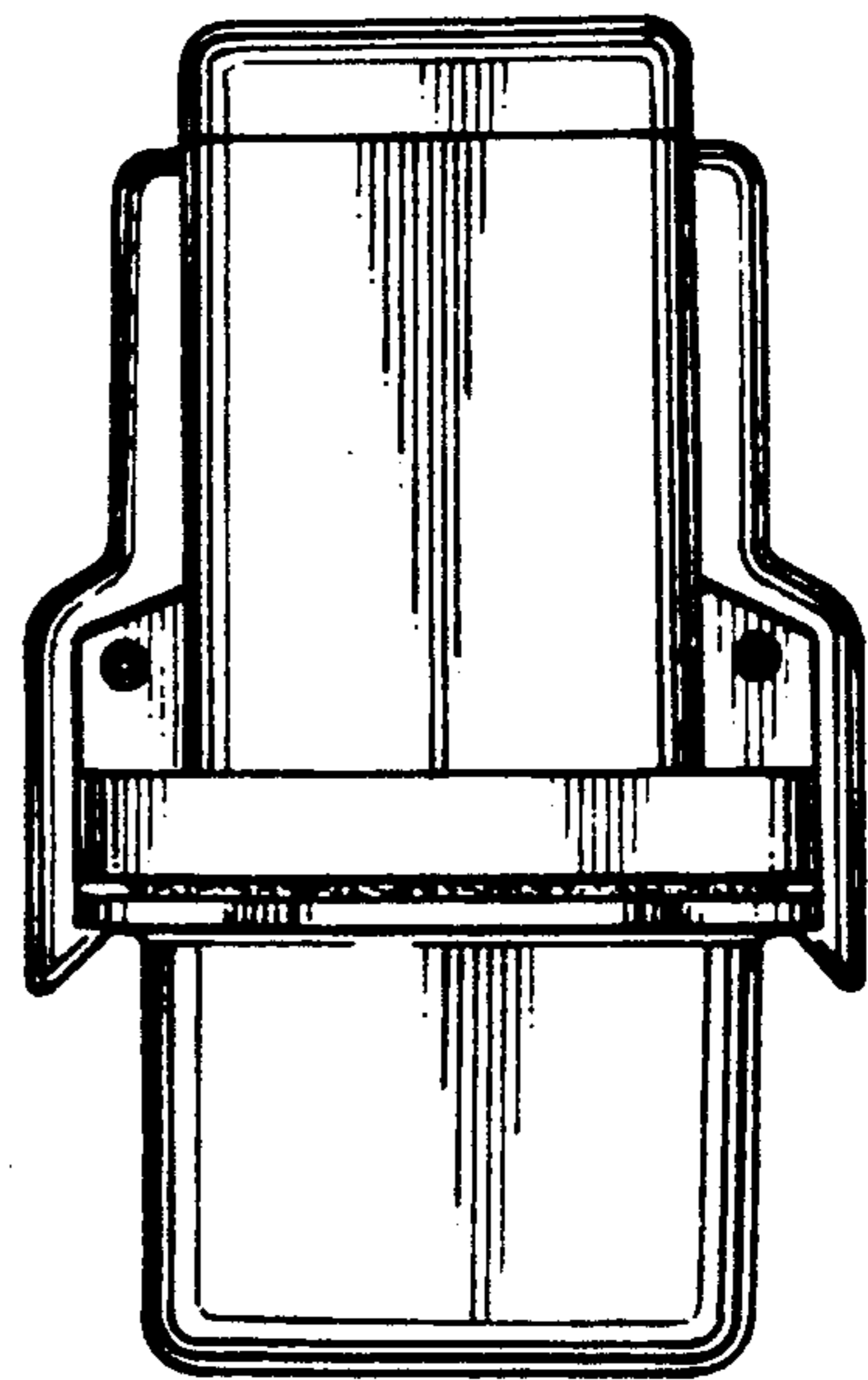


FIG. 4

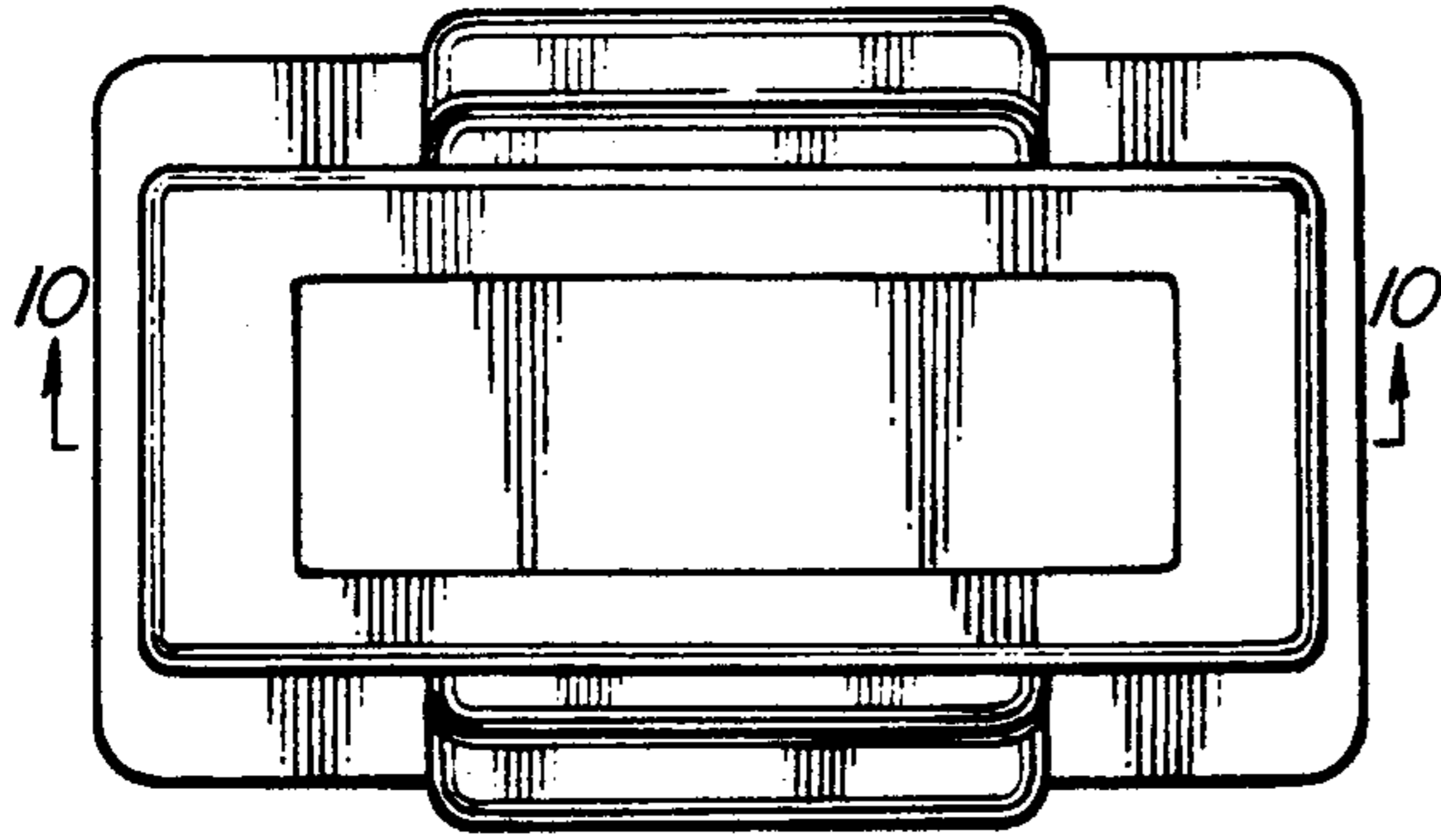


FIG. 5

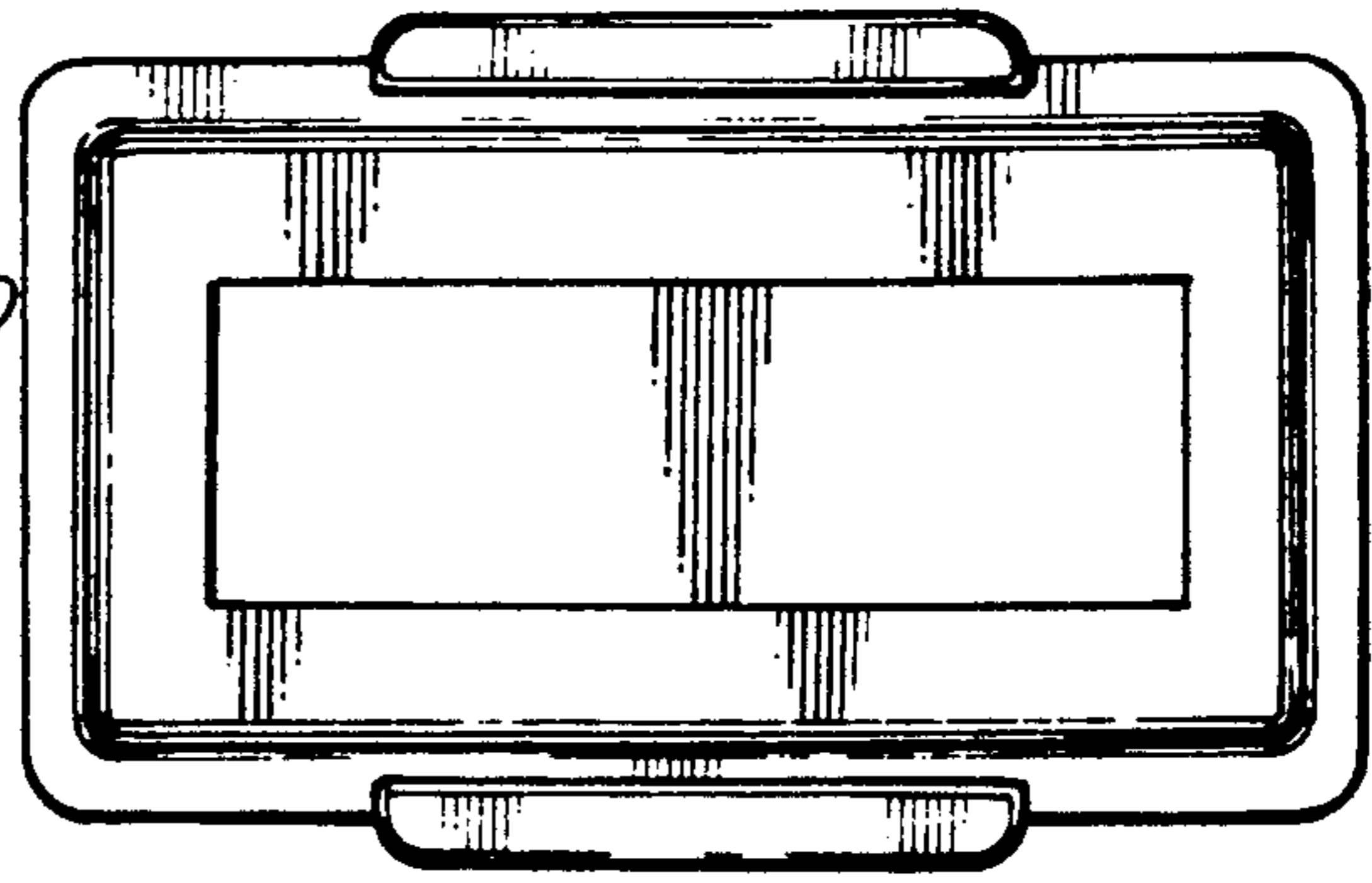


FIG. 6

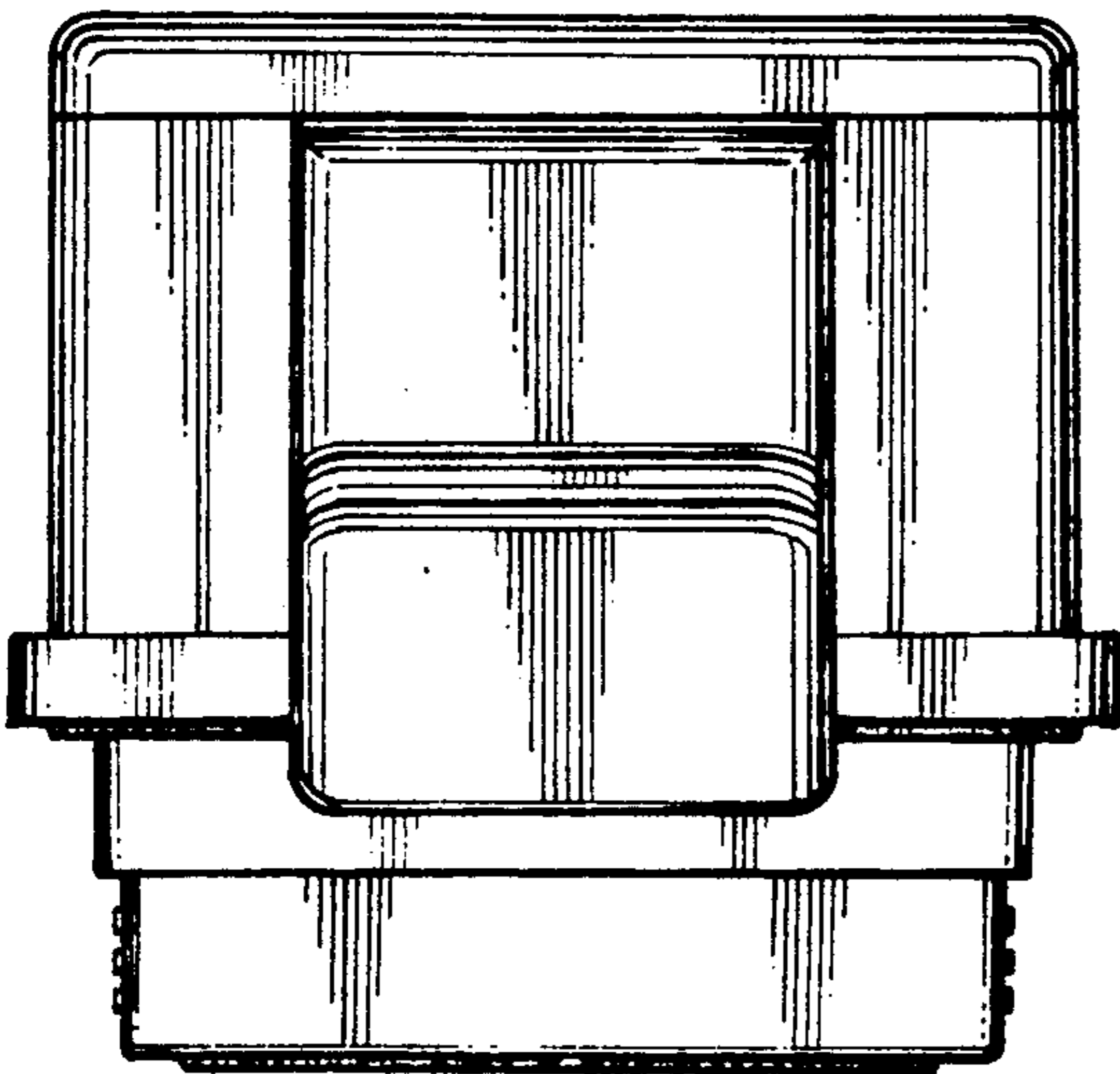


FIG. 7

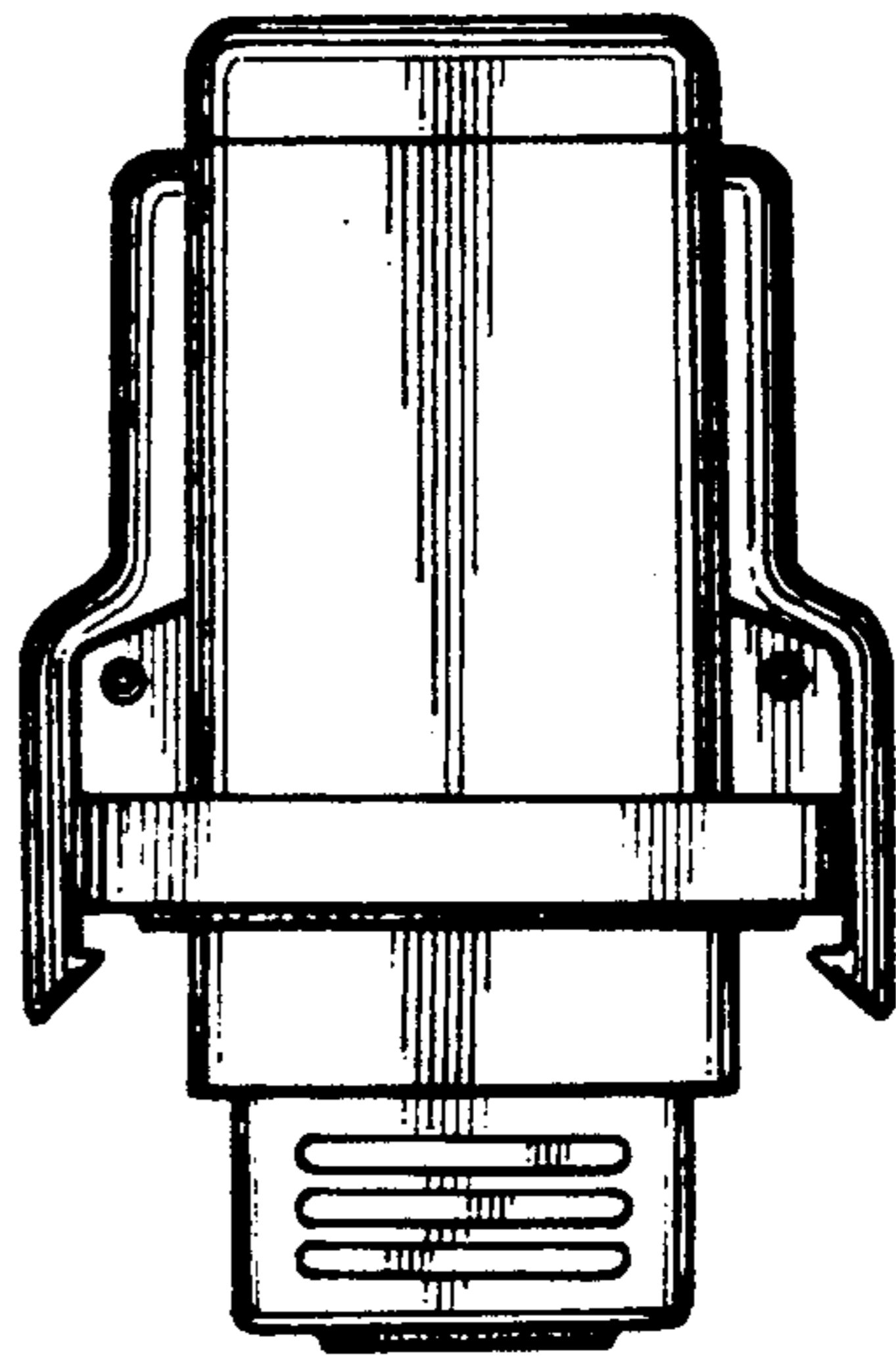


FIG. 8

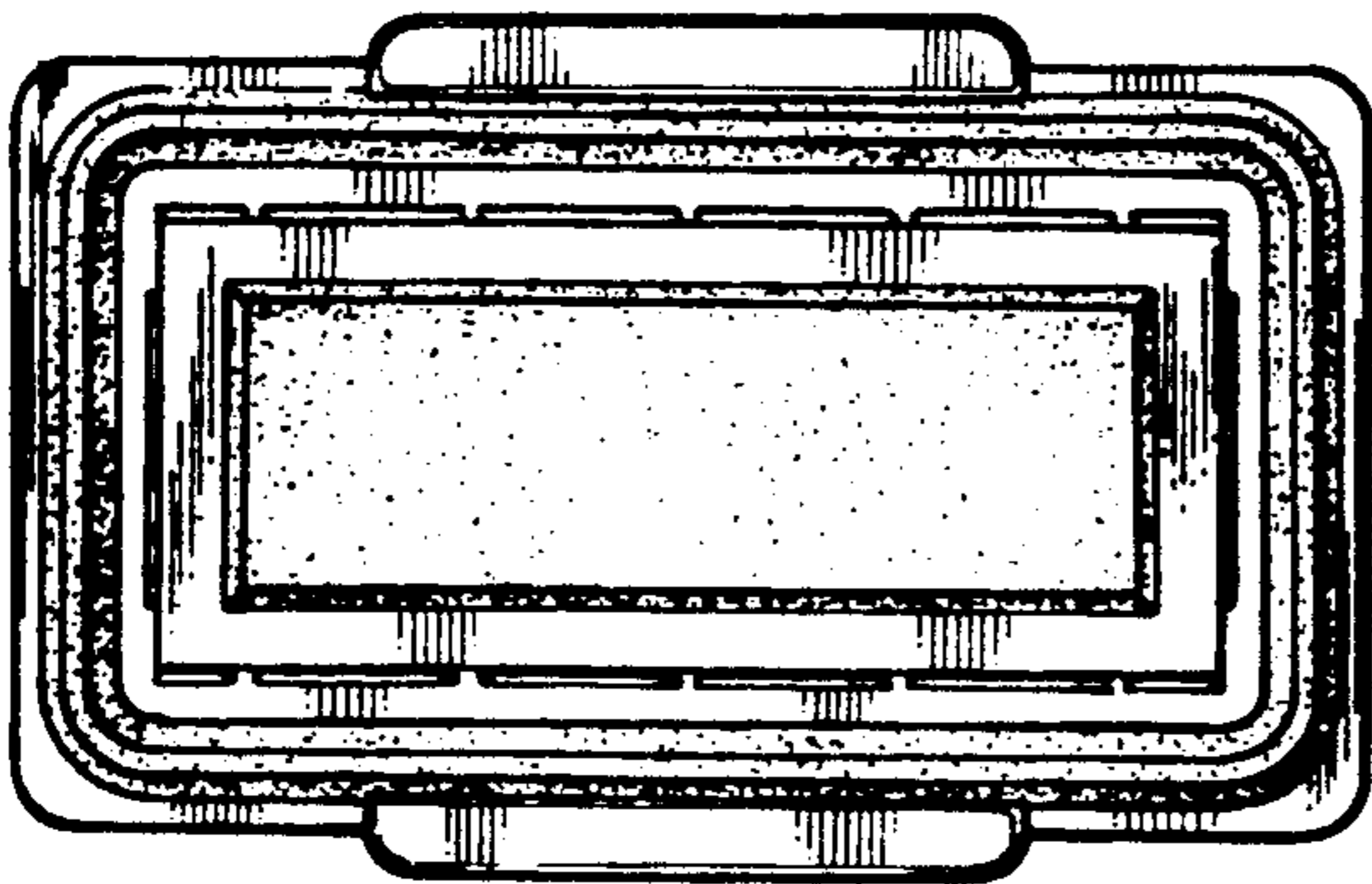


FIG. 9

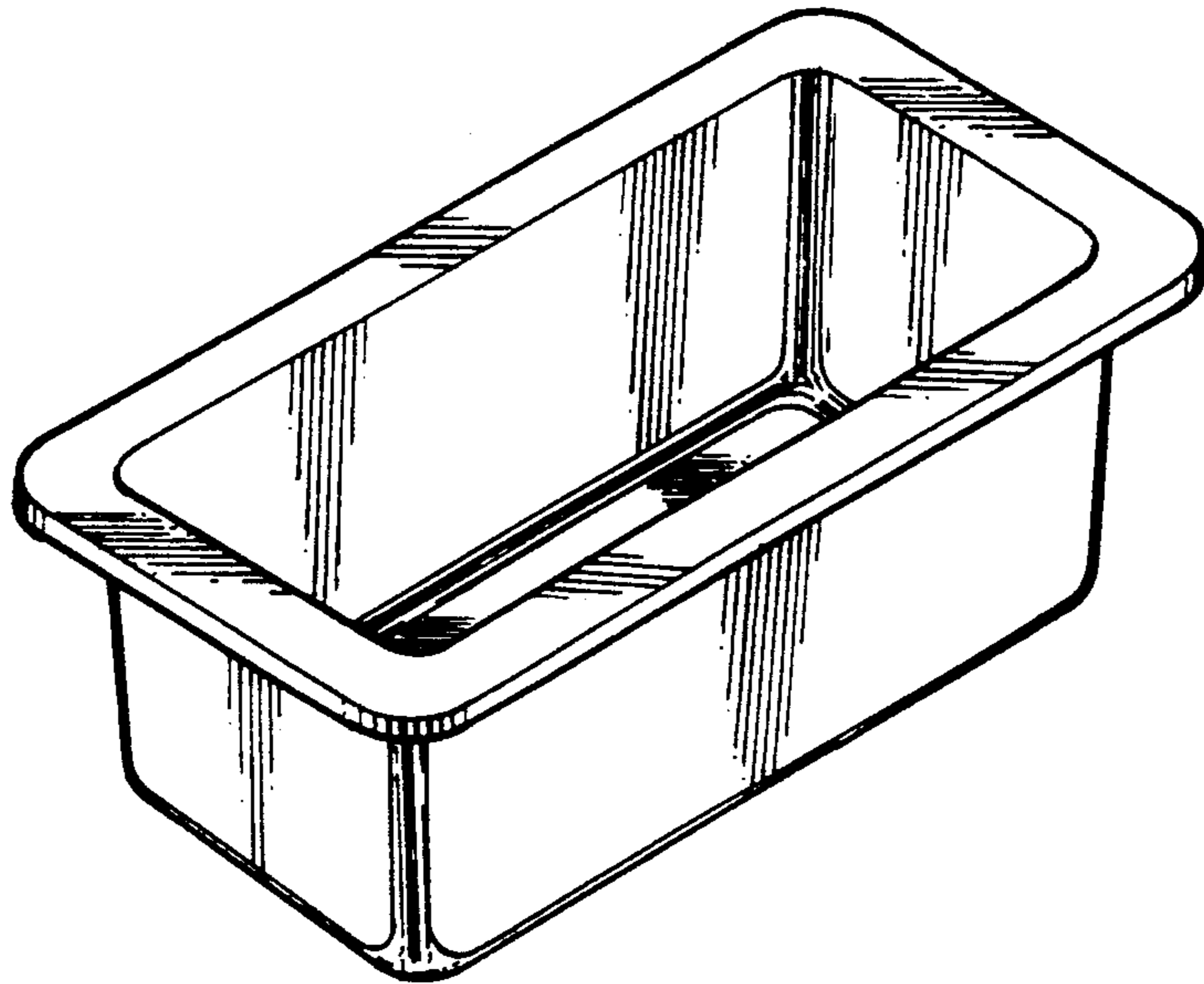


FIG. 10

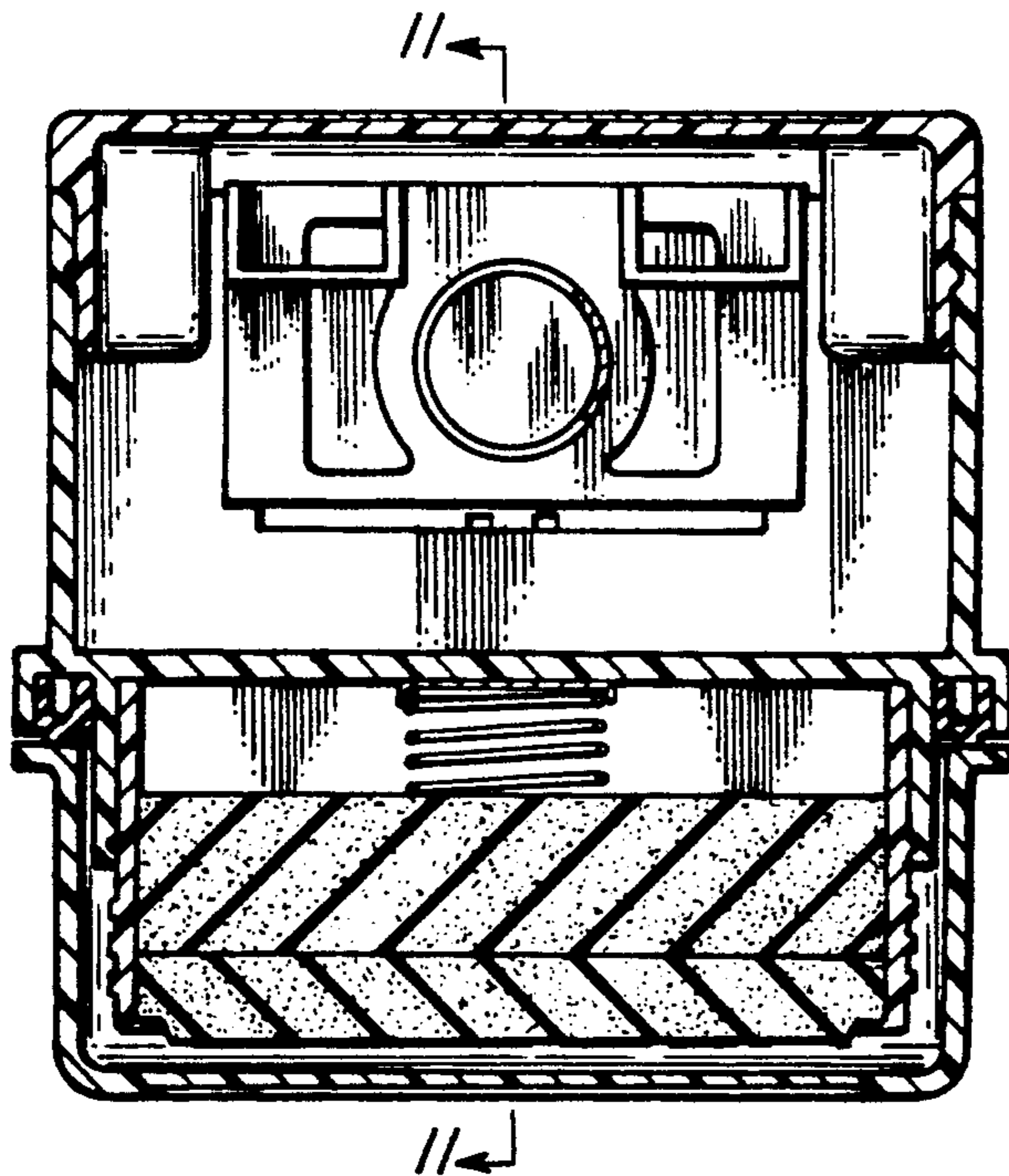


FIG. 11

