



US00D326861S

United States Patent [19]

[11] Patent Number: **Des. 326,861**

D'Amato

[45] Date of Patent: **** Jun. 9, 1992**

[54] **PRINTED CIRCUIT BOARD FABRICATION INSTRUMENT**

[75] Inventor: **Mark D'Amato, Montreal, Canada**

[73] Assignee: **D.E.M. Controls of Canada, Montreal, Canada**

[**] Term: **14 Years**

[21] Appl. No.: **400,891**

[22] Filed: **Aug. 29, 1989**

[52] U.S. Cl. **D15/199**

[58] Field of Search **D15/199; 29/593, 714, 29/739, 845, 848**

3,457,234	1/1969	Gianatasio	260/75
3,667,589	6/1972	Constable	198/127
4,015,706	4/1977	Goffredo et al.	198/780
4,690,391	1/1987	Stoffel et al.	29/739 X
4,890,382	1/1990	Anderson et al.	29/739 X
5,033,185	7/1991	Hidese	29/714 X
5,044,062	9/1991	Maskens et al.	29/739 X

FOREIGN PATENT DOCUMENTS

1280994 2/1961 France .

OTHER PUBLICATIONS

General Processing Guide for Tinbond™ 600, E.I. duPont de Nemours Corp., Wilmington, Del.

Primary Examiner—Donald P. Walsh
Assistant Examiner—Antoine D. Davis
Attorney, Agent, or Firm—Stetina and Brunda

[56] References Cited

U.S. PATENT DOCUMENTS

778,612	12/1904	Ward .	
895,621	8/1908	Fawell .	
949,504	2/1910	Sexton .	
2,031,054	2/1936	McCarthy	198/204
2,135,838	1/1936	Paxton	198/127
2,718,296	9/1955	Johnson	198/264
2,748,919	6/1956	Britton et al.	198/127
2,921,670	1/1960	Albers	198/213
3,042,185	7/1962	Welch, III	198/160
3,082,774	3/1963	Benton et al.	134/63
3,313,199	4/1967	Houvener et al.	85/66
3,416,638	12/1968	Buck	193/37
3,440,900	4/1969	Neal	37/6

[57] CLAIM

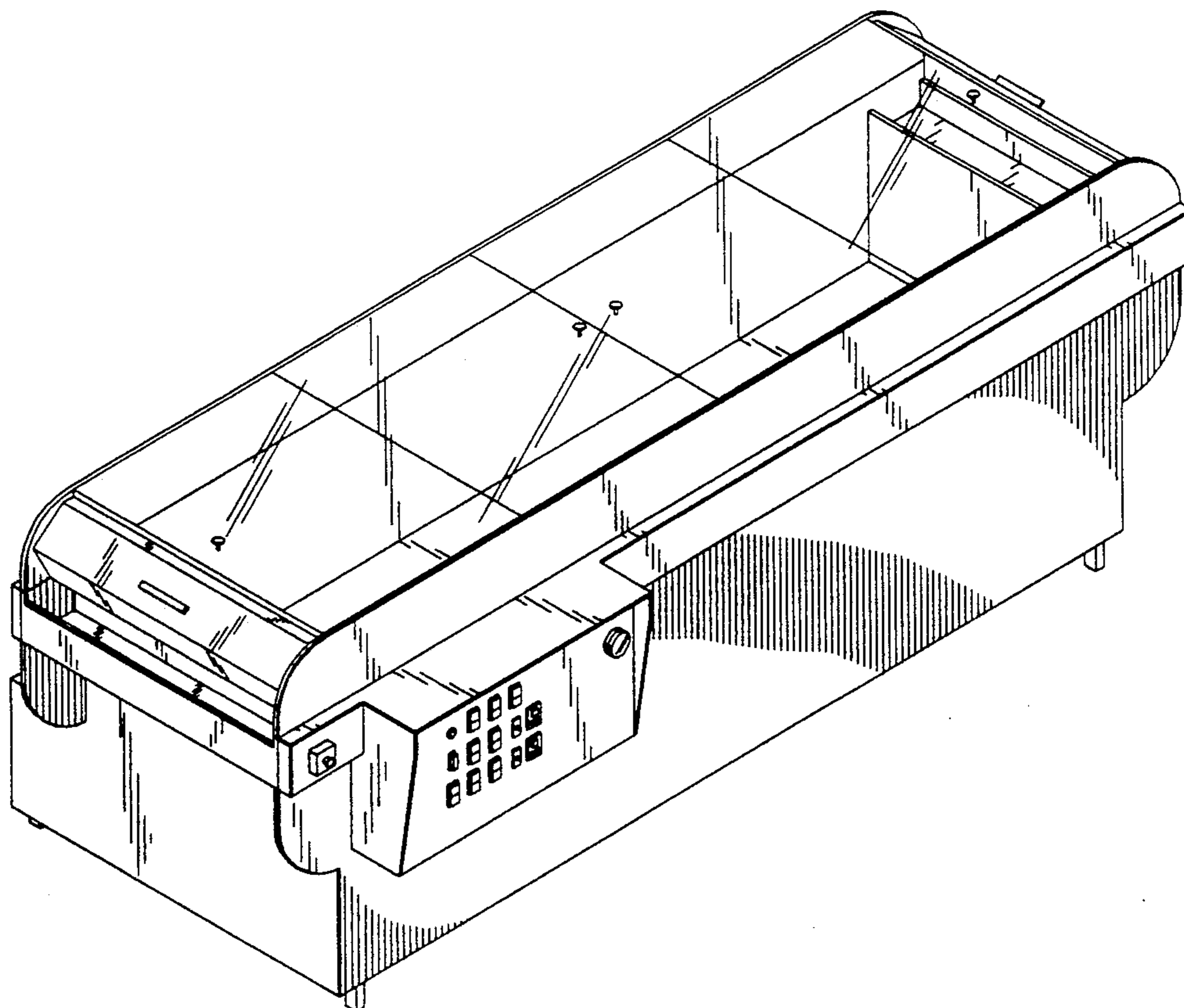
The ornamental design for a printed circuit board fabrication instrument, as shown and described.

DESCRIPTION

FIG. 1 is a top, front and left side perspective view of a printed circuit board fabrication instrument showing my new design; and,

FIG. 2 is a top, rear and right side perspective view thereof.

The bottom plan view, not shown, being conventional.



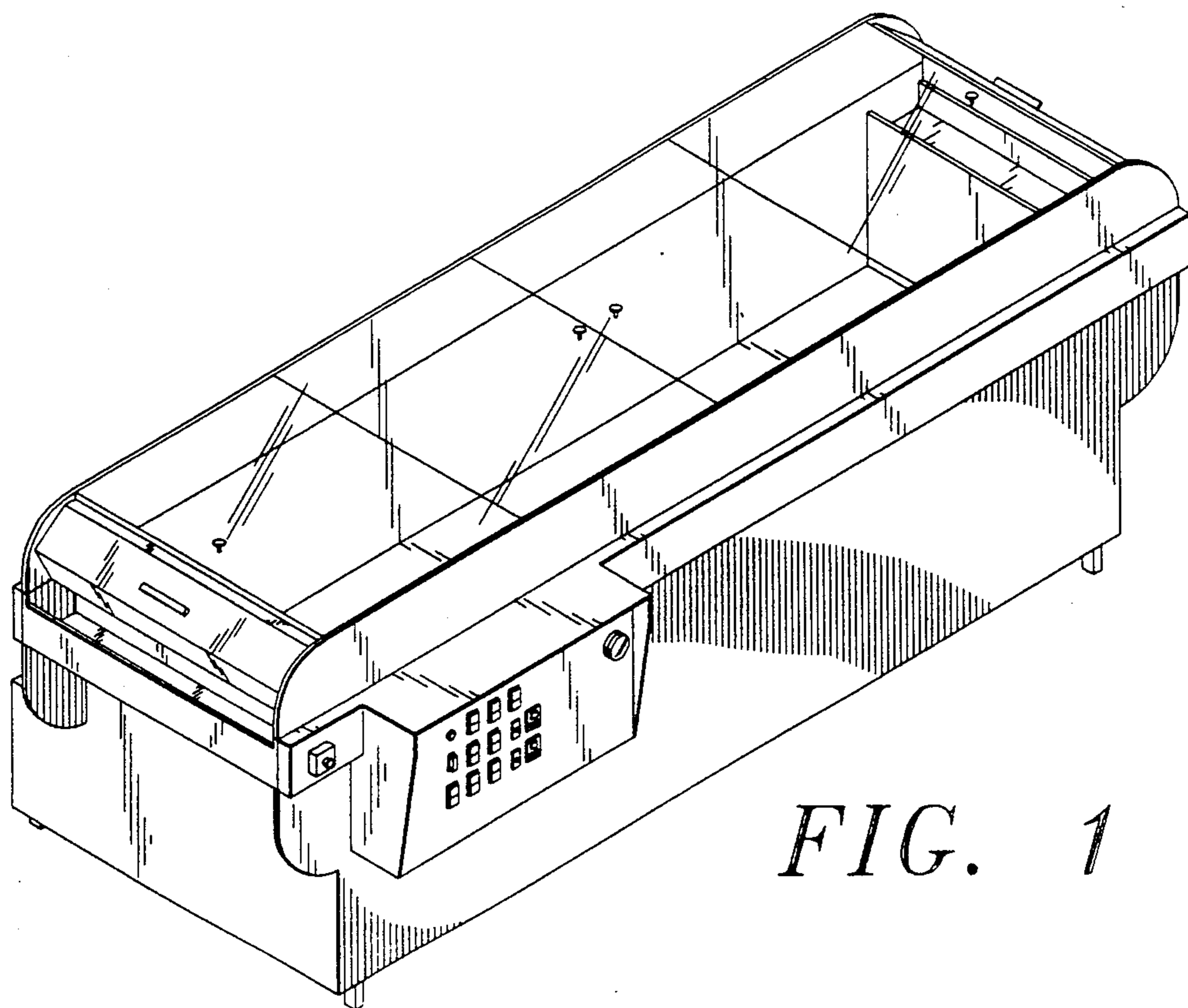


FIG. 1

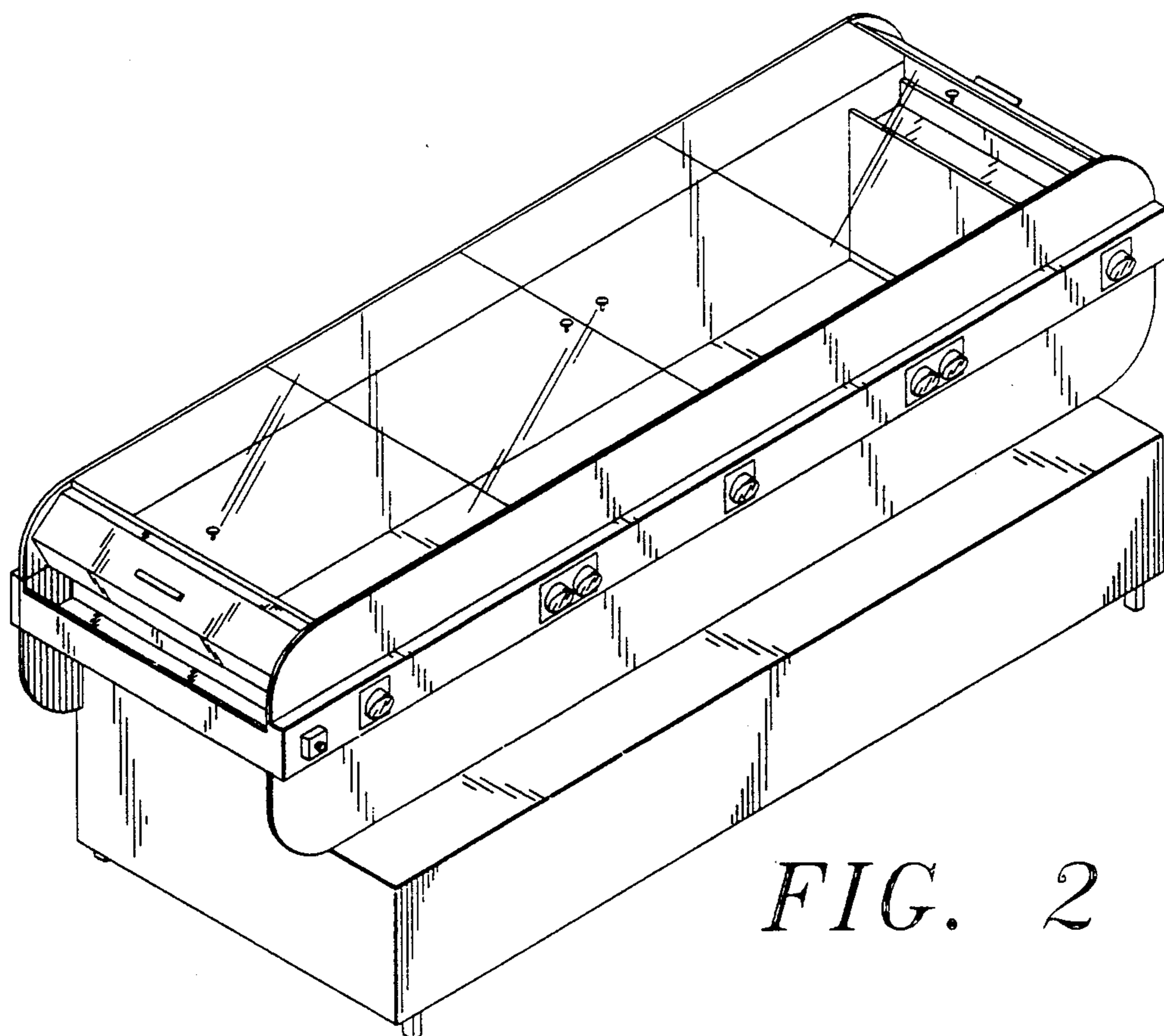


FIG. 2