



US00D326860S

**United States Patent** [19]  
**Holbl**

[11] **Patent Number: Des. 326,860**  
[45] **Date of Patent: \*\* Jun. 9, 1992**

[54] **MICROTOME TOOL HOLDER**

[56] **References Cited**

[75] **Inventor: Werner Holbl, Vienna, Austria**

**U.S. PATENT DOCUMENTS**  
4,262,567 4/1981 Bettin ..... 83/915.5 X  
5,050,470 9/1991 Ward ..... 83/915.5 X

[73] **Assignee: Leica Instruments GmbH, Nussloch, Fed. Rep. of Germany**

**FOREIGN PATENT DOCUMENTS**  
2151368 7/1985 United Kingdom ..... 83/915.5  
2182881 5/1987 United Kingdom ..... 83/915.5

[\*\*] **Term: 14 Years**

*Primary Examiner*—Donald P. Walsh  
*Assistant Examiner*—Antoine D. Davis  
*Attorney, Agent, or Firm*—Bean, Kauffman & Spencer

[21] **Appl. No.: 486,198**

[57] **CLAIM**

[22] **Filed: Feb. 28, 1990**

The ornamental design for a microtome tool holder, as shown.

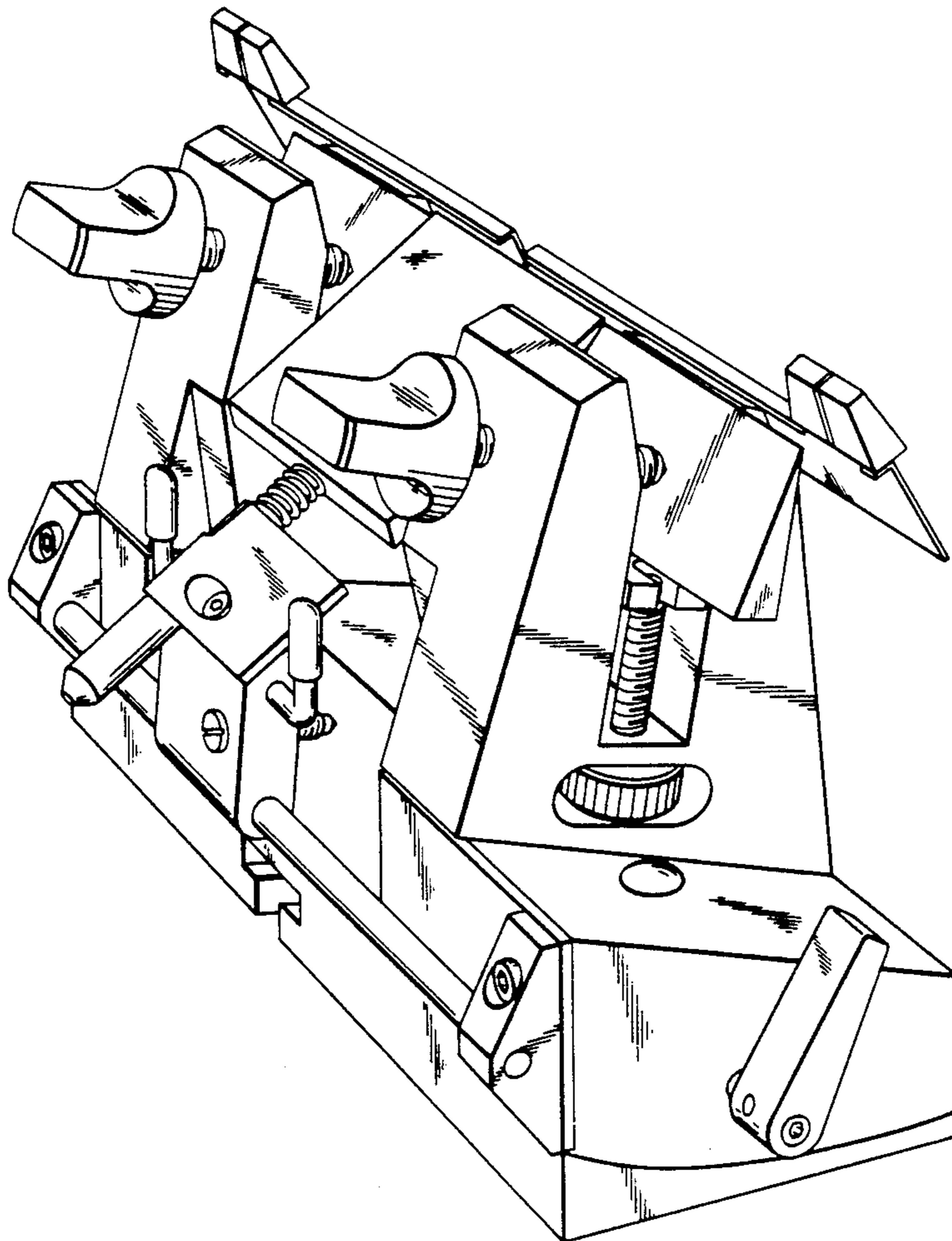
[30] **Foreign Application Priority Data**

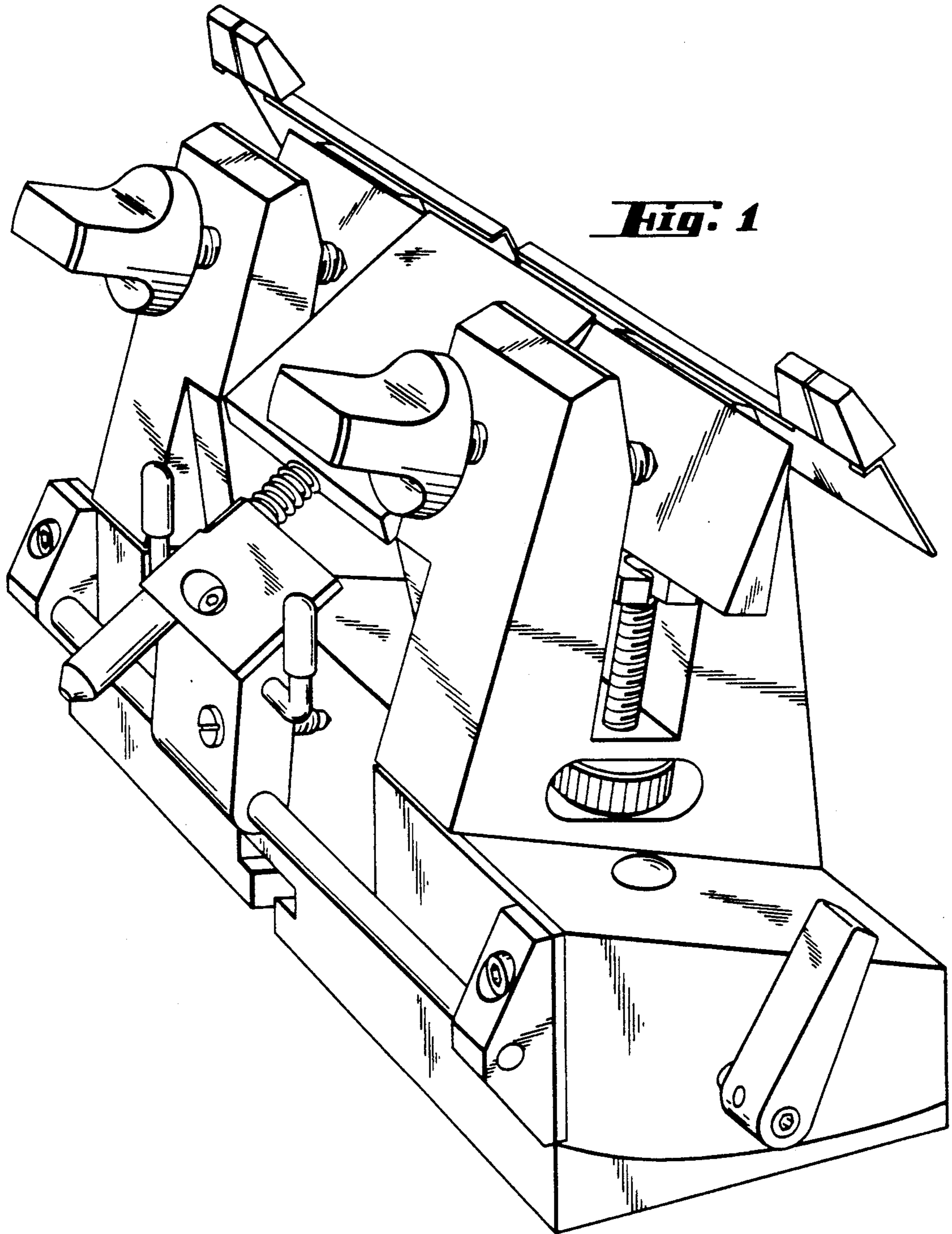
Aug. 29, 1989 [DE] Fed. Rep. of Germany ..... M 89 06 132.2

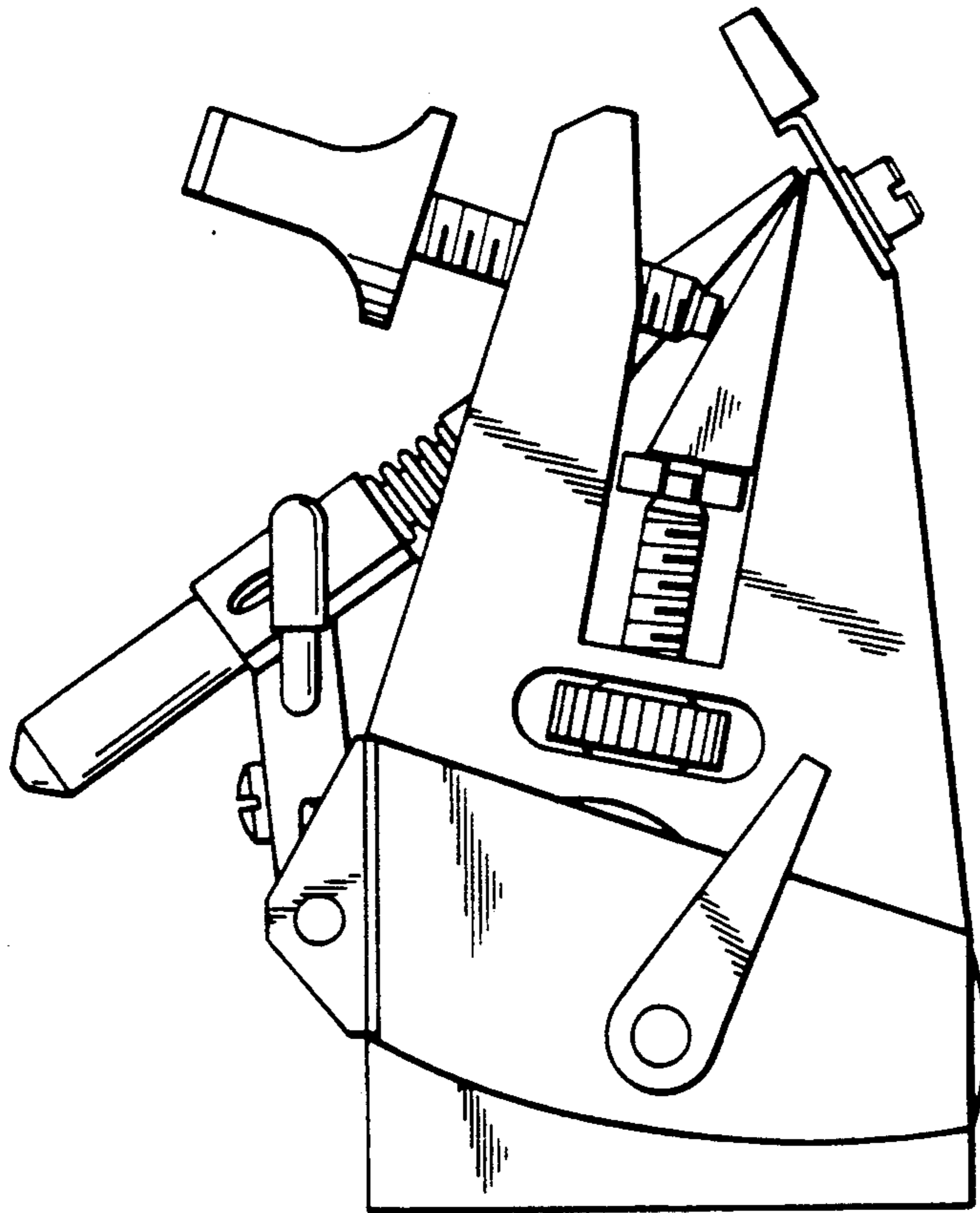
**DESCRIPTION**

[52] **U.S. Cl. .... D15/140**  
[58] **Field of Search .... D15/140; 83/700, 703, 83/857, 915.5; 144/155, 175; 269/153, 239, 100**

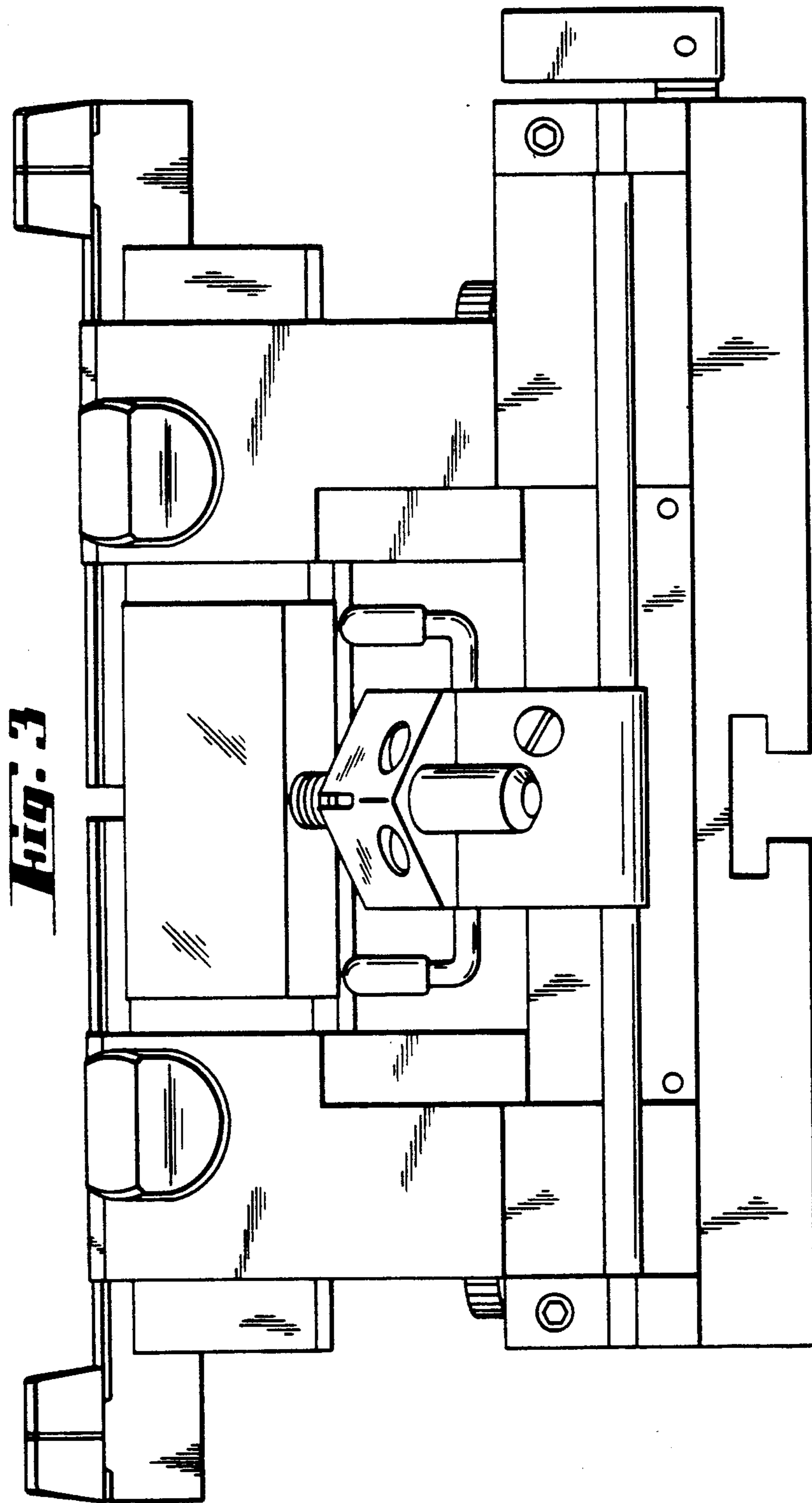
FIG. 1 is a perspective view of a microtome tool holder showing my new design;  
FIG. 2 is a left side elevational view;  
FIG. 3 is a front elevational view;  
FIG. 4 is a top plan view; and,  
FIG. 5 is a rear elevational view thereof.







***Fig. 2***



**Fig. 4**

