



US00D326858S

United States Patent [19]

Skeel et al.

[11] Patent Number: **Des. 326,858**

[45] Date of Patent: **** Jun. 9, 1992**

[54] **WHEEL LOADER**

[75] Inventors: **James C. Skeel, Wausau; Brian T. Nelson; Thomas M. Denny, both of Racine, all of Wis.**

[73] Assignee: **J. I. Case Company, Racine, Wis.**

[**] Term: **14 Years**

[21] . Appl. No.: **227,029**

[22] Filed: **Aug. 1, 1988**

[52] U.S. Cl. **D15/25**

[58] Field of Search **D15/10, 22, 23, 24, D15/25, 26; 37/103, 118 A, 118 R; 180/89.12, 89,19; 296/190; 414/685, 722**

[56] **References Cited**

U.S. PATENT DOCUMENTS

- D. 196,500 10/1963 Shapiro D15/25
- D. 245,503 8/1977 Adams et al. D15/25

- D. 251,845 5/1979 Joupperi D15/24
- 4,155,473 5/1979 Holopainen 414/722
- 4,220,215 9/1980 Stark 414/685

OTHER PUBLICATIONS

Implement & Tractor, vol. 99, Sep. 1984, p. 9, tractor in center.

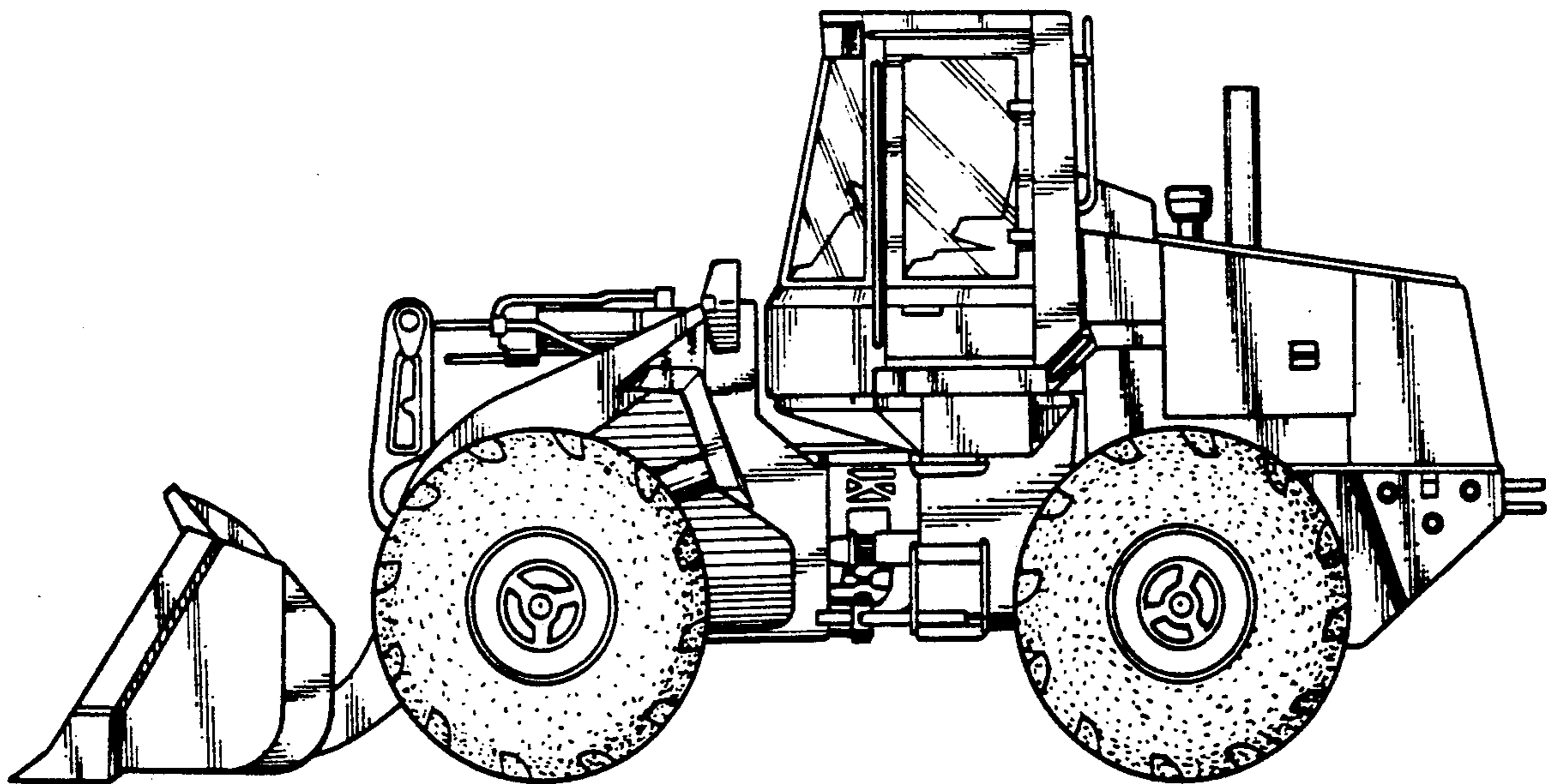
Primary Examiner—Bernard Ansher
Assistant Examiner—Sandra Morris
Attorney, Agent, or Firm—Dykema Gossett

[57] **CLAIM**

The design for a wheel loader, as shown.

DESCRIPTION

FIG. 1 is a right side elevational view of a wheel loader, showing our new design;
FIG. 2 is a left side elevational view thereof;
FIG. 3 is a top plan view thereof;
FIG. 4 is a rear elevational view thereof; and,
FIG. 5 is a front elevational view thereof.



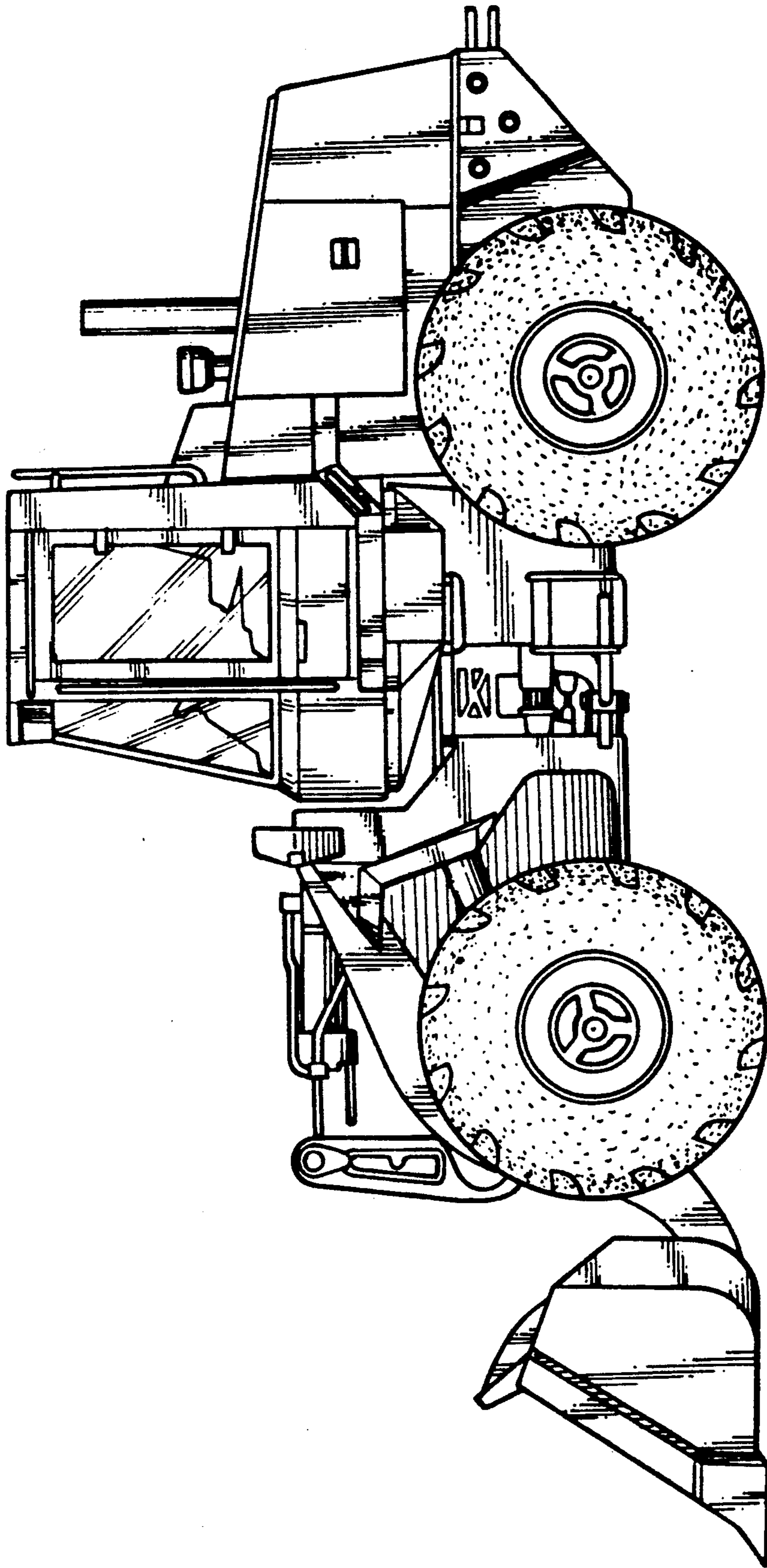


Fig - 1

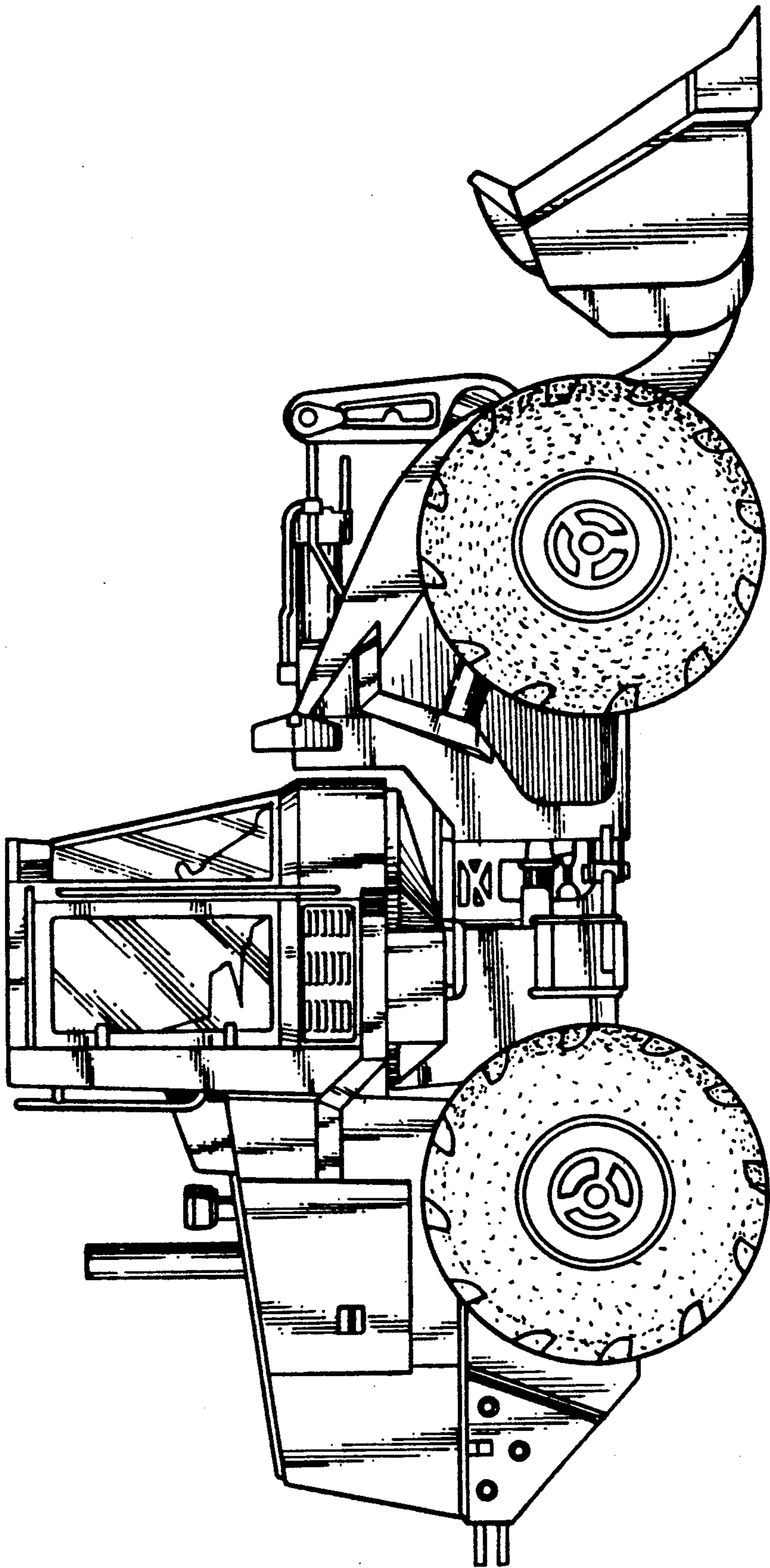


Fig-2

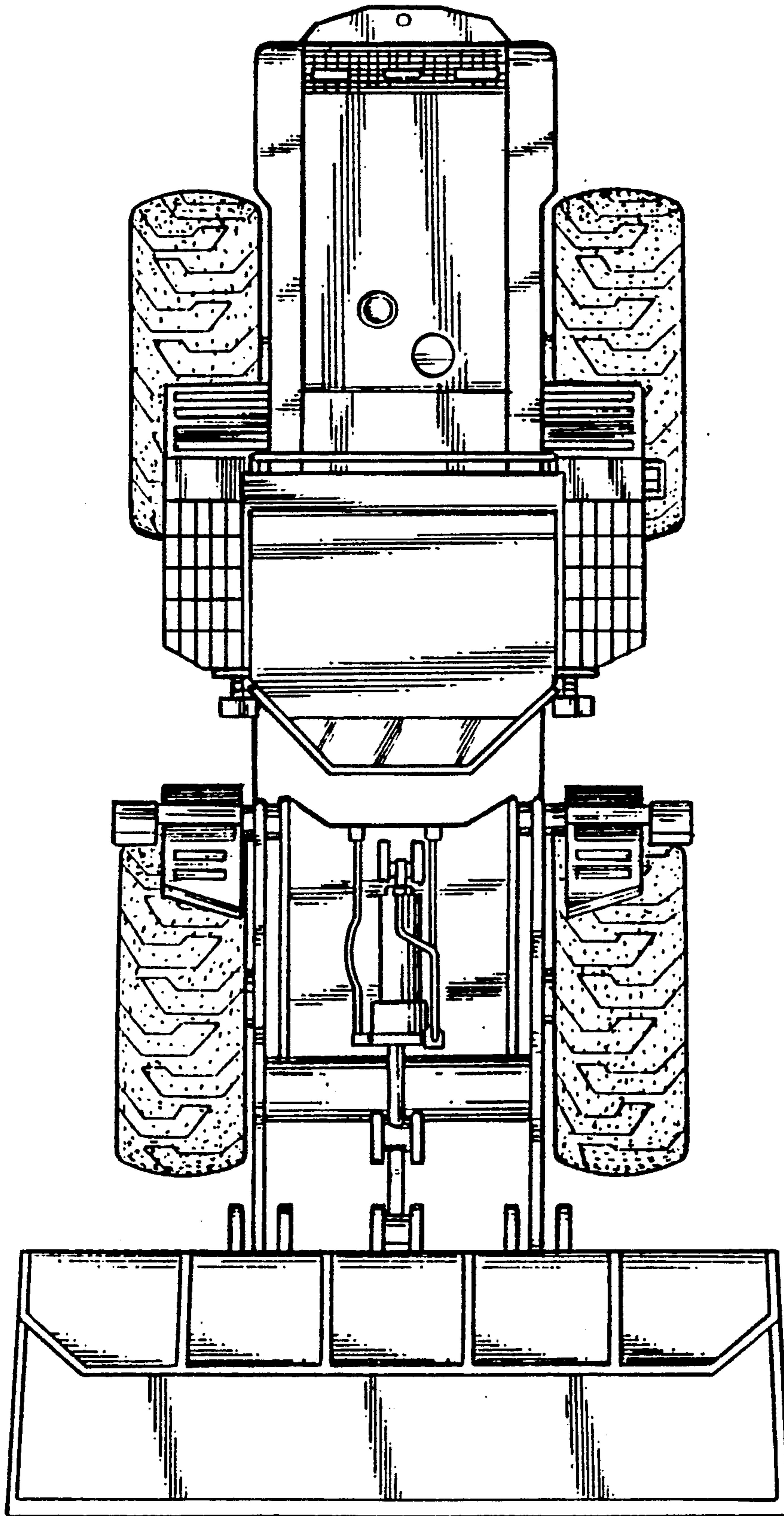


Fig-3

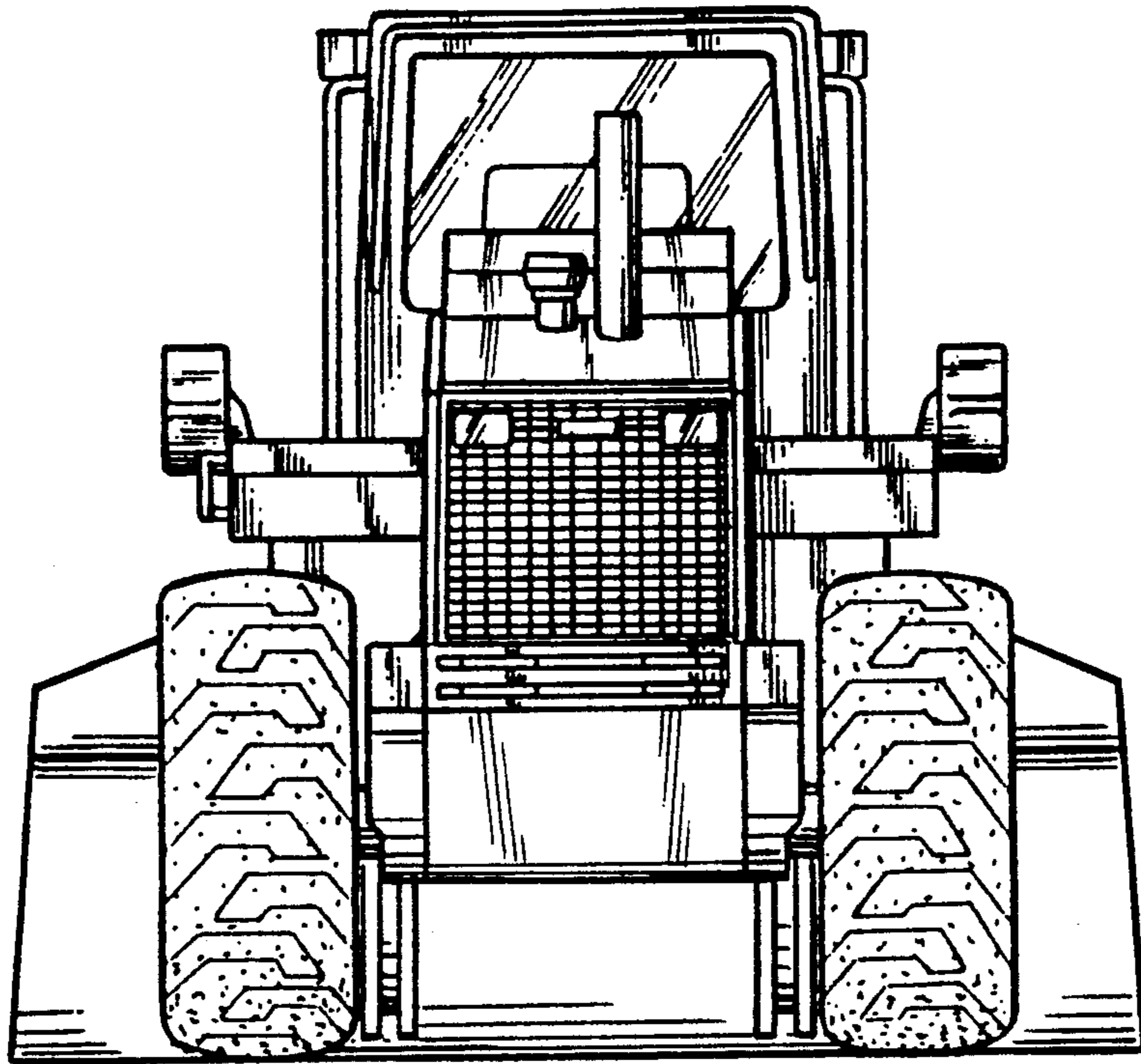


Fig-4

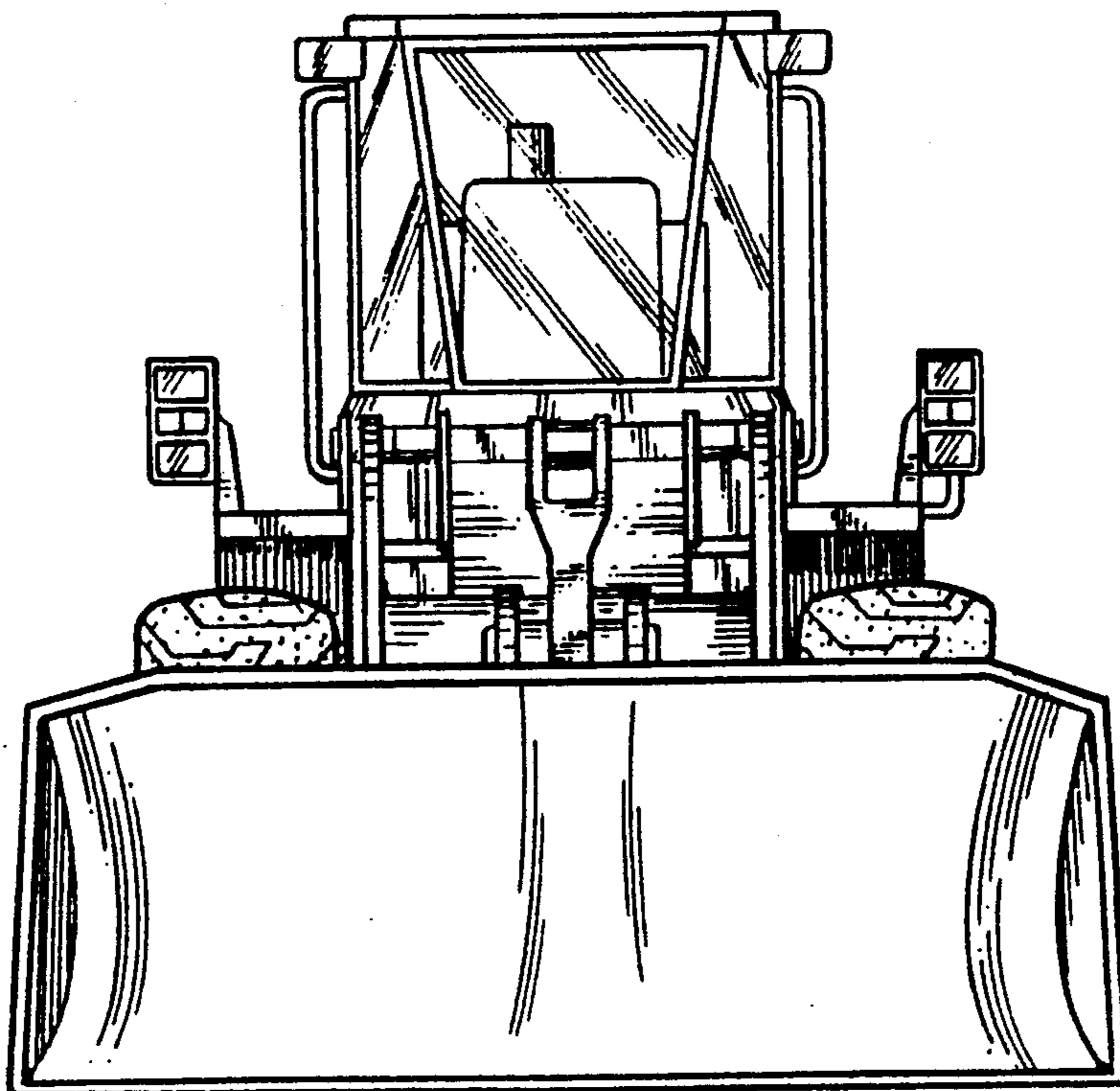


Fig-5