



US00D326857S

# United States Patent [19]

[11] Patent Number: **Des. 326,857**

Ikeda et al.

[45] Date of Patent: **\*\* Jun. 9, 1992**

[54] **VIBRATING PILE DRIVER**

4,817,733	4/1989	Hennecke et al.	173/21
4,860,835	8/1989	Mauch	173/128
4,993,500	2/1991	Greene	173/28

[75] Inventors: **Yutaka Ikeda, Nabari; Yoshifumi Ito, Matsubara, both of Japan**

*Primary Examiner*—Bernard Ansher  
*Assistant Examiner*—Sandra Morris  
*Attorney, Agent, or Firm*—Wenderoth, Lind & Ponack

[73] Assignee: **Nippon Pneumatic Manufacturing Co., Ltd., Osaka, Japan**

[\*\*] Term: **14 Years**

[57] **CLAIM**

[21] Appl. No.: **425,982**

The ornamental design for a vibrating pile driver, as shown.

[22] Filed: **Oct. 24, 1989**

**DESCRIPTION**

[52] U.S. Cl. .... **D15/21; D15/28**

[58] Field of Search ..... **D15/21, 28, 32; 173/21, 173/28, 39, 128**

FIG. 1 is a front elevational view of a vibrating pile driver showing our new design;  
FIG. 2 is a rear elevational view thereof;  
FIG. 3 is a top plan view thereof;  
FIG. 4 is a bottom plan view thereof;  
FIG. 5 is a left side elevational view thereof;  
FIG. 6 is a right side elevational view thereof; and,  
FIG. 7 is a perspective view thereof.

[56] **References Cited**

**U.S. PATENT DOCUMENTS**

4,506,744	3/1985	Dawson	173/128
4,785,892	11/1988	Luen	173/39

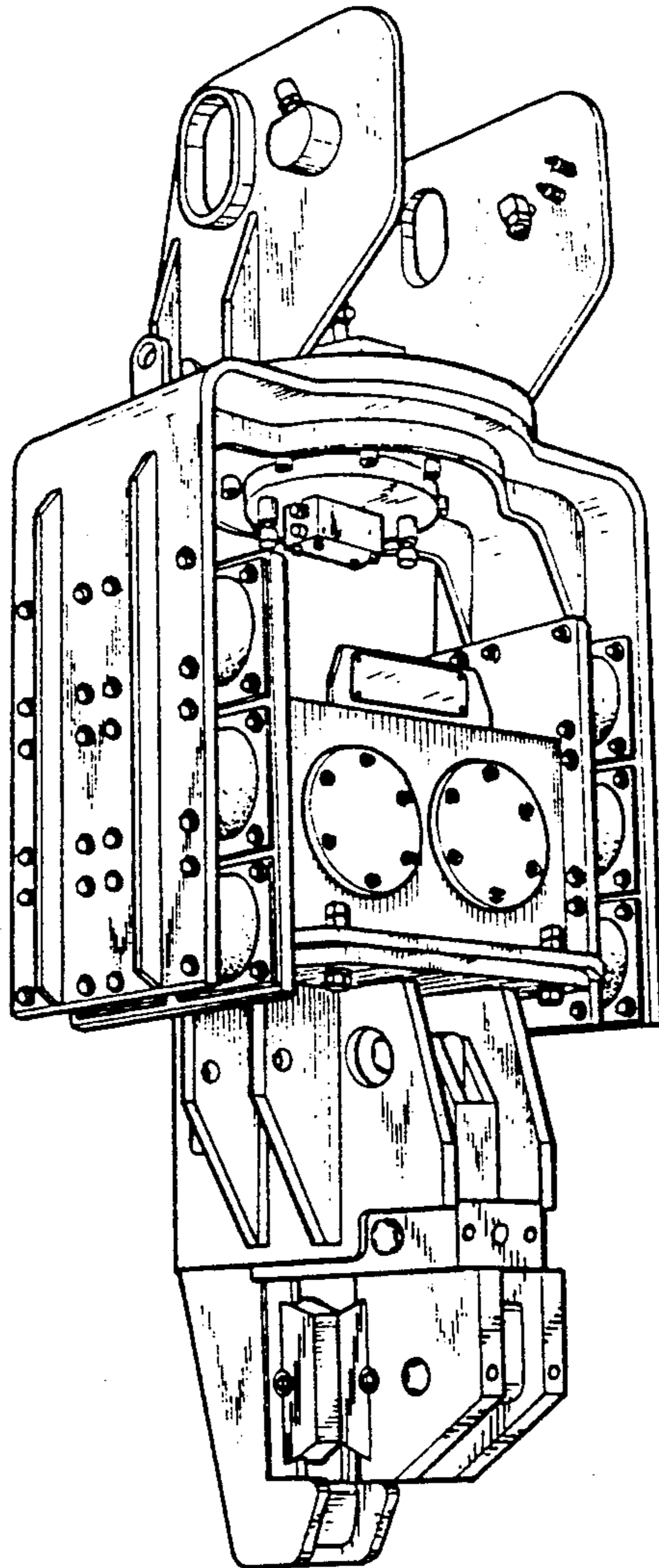


FIG. 1

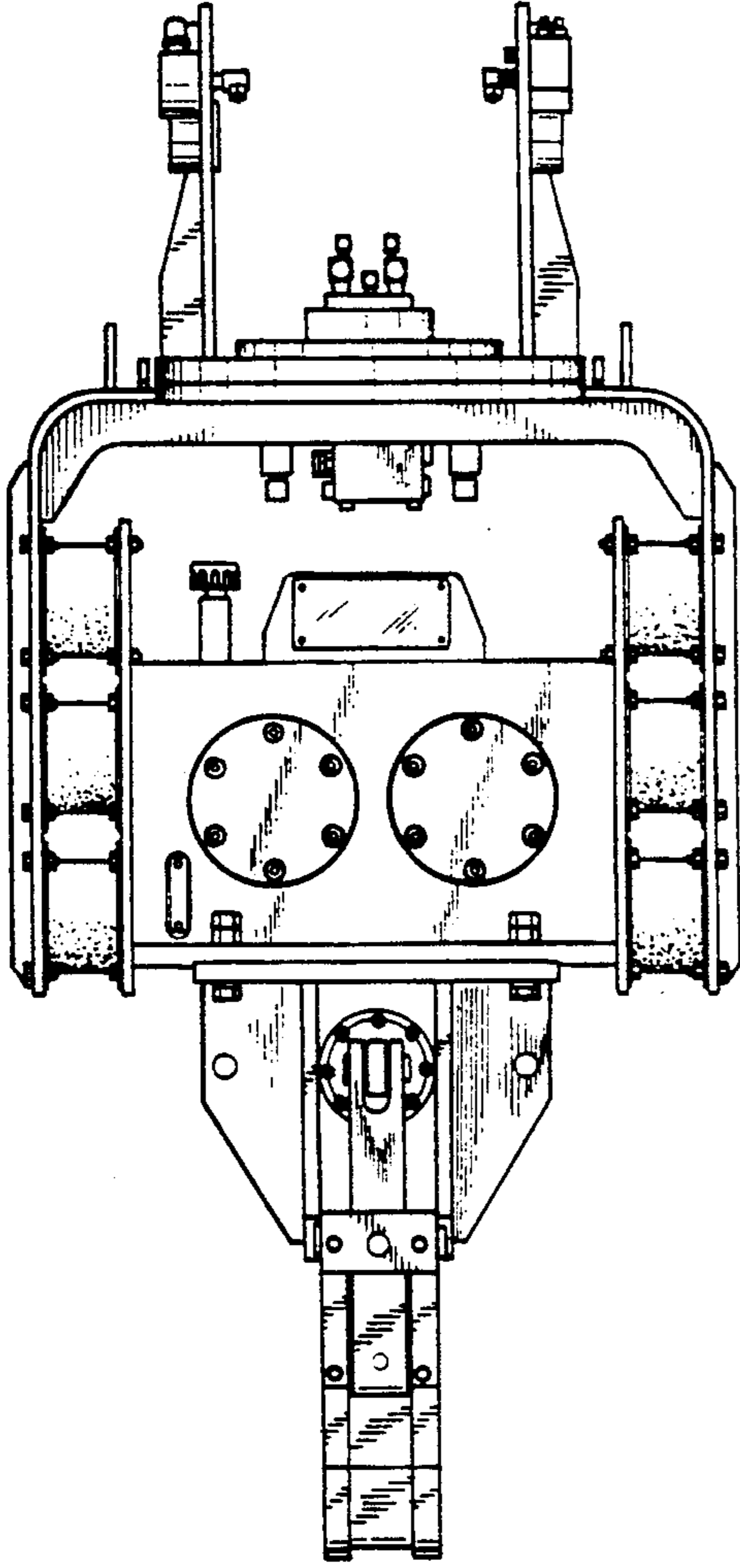


FIG. 2

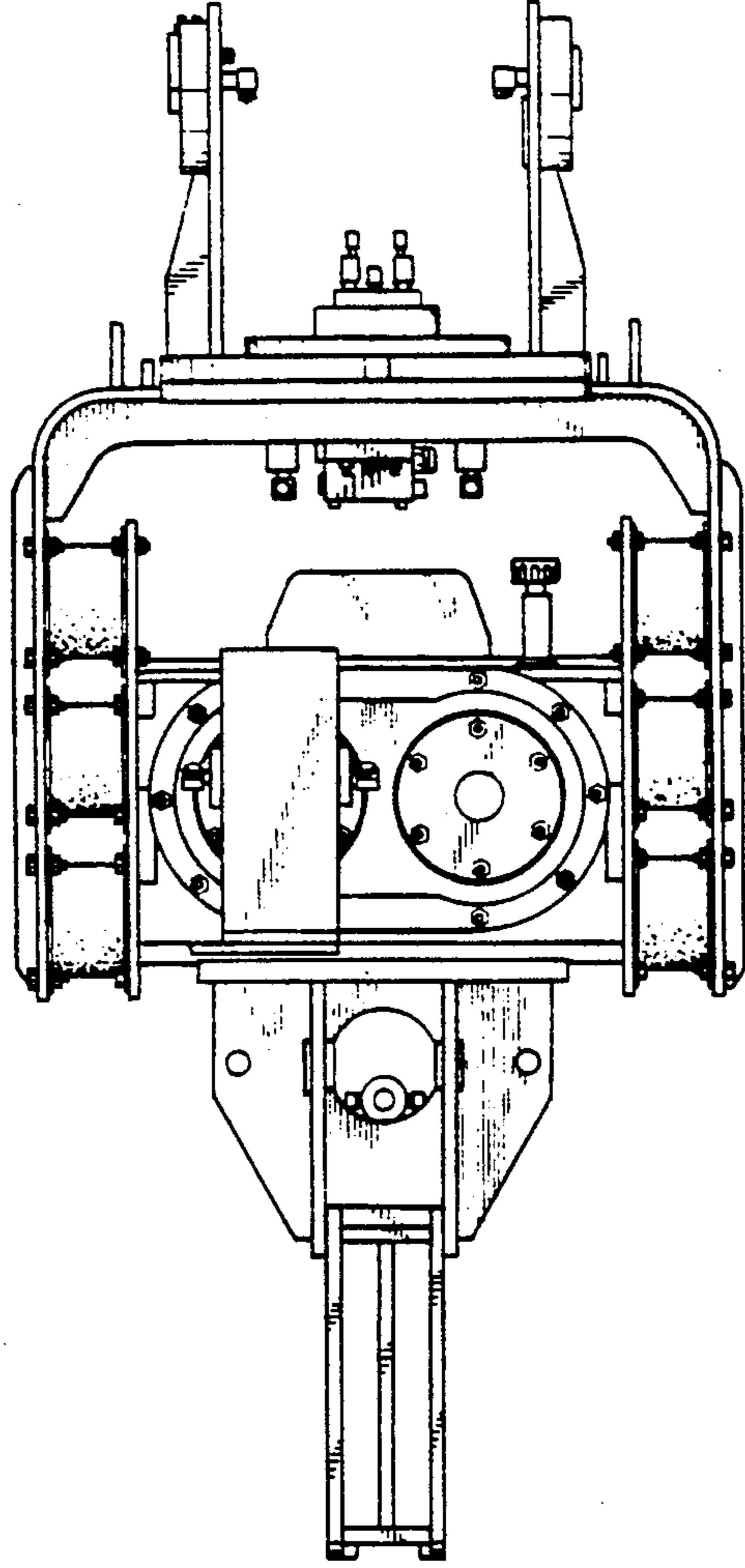


FIG. 3

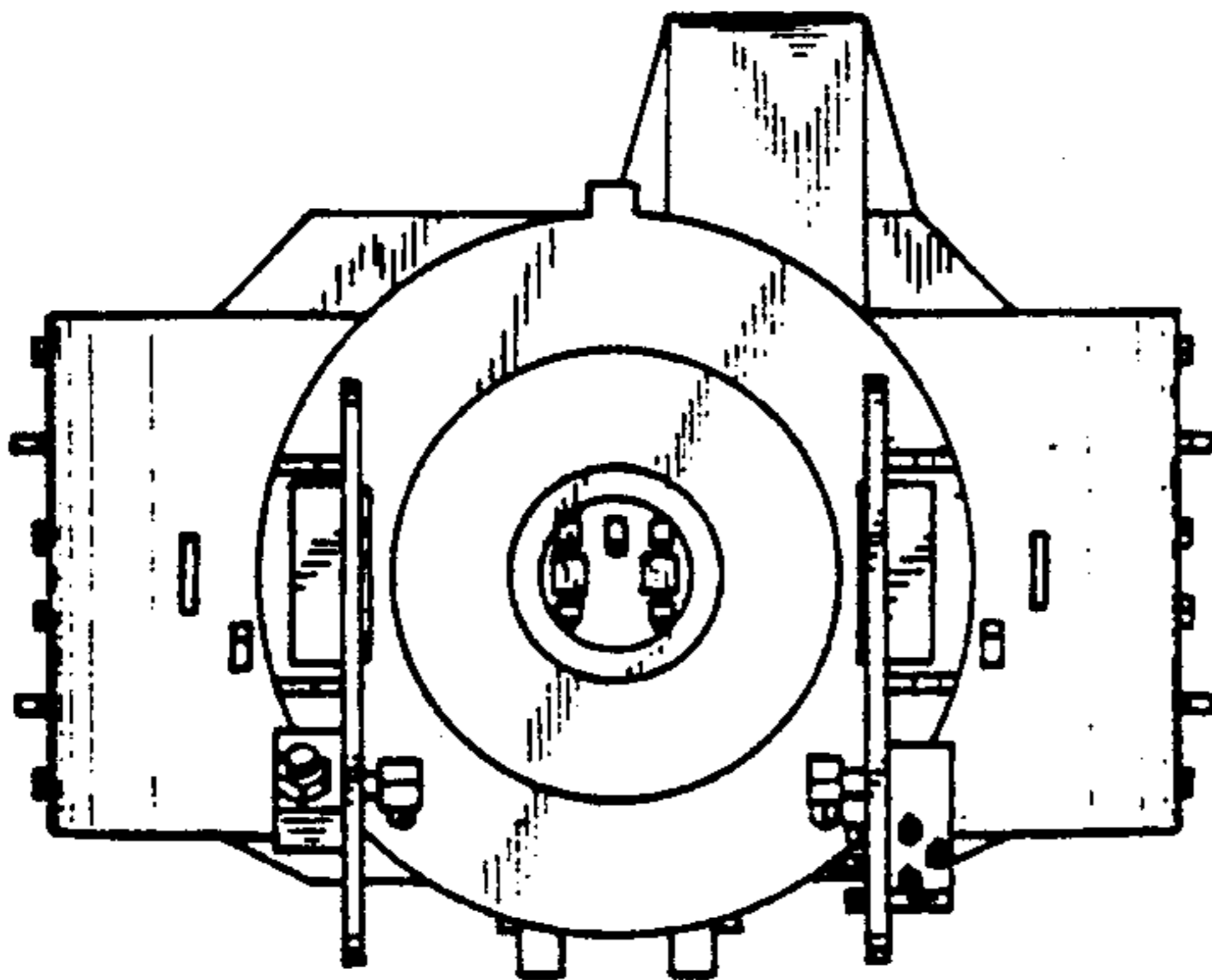


FIG. 4

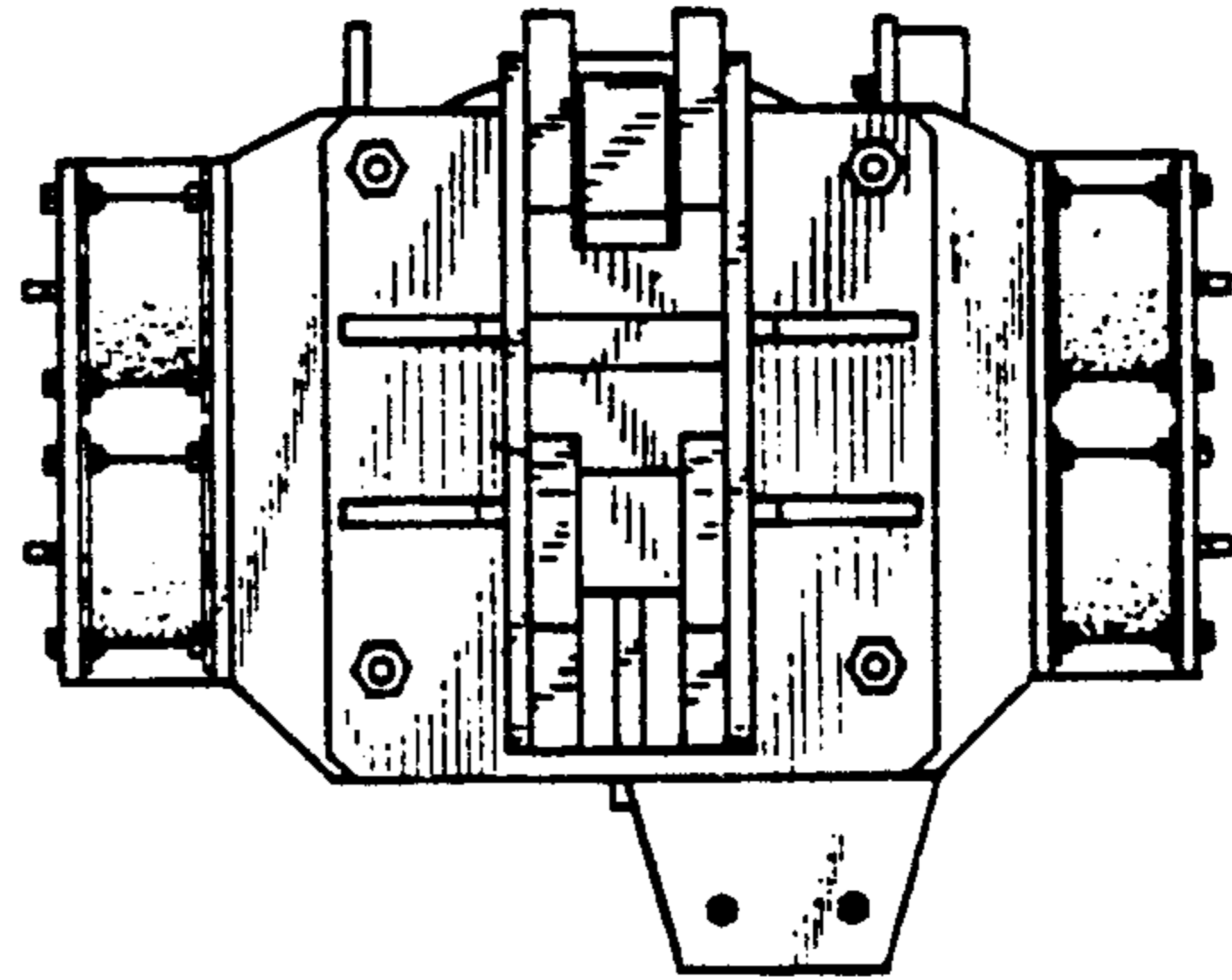


FIG . 5

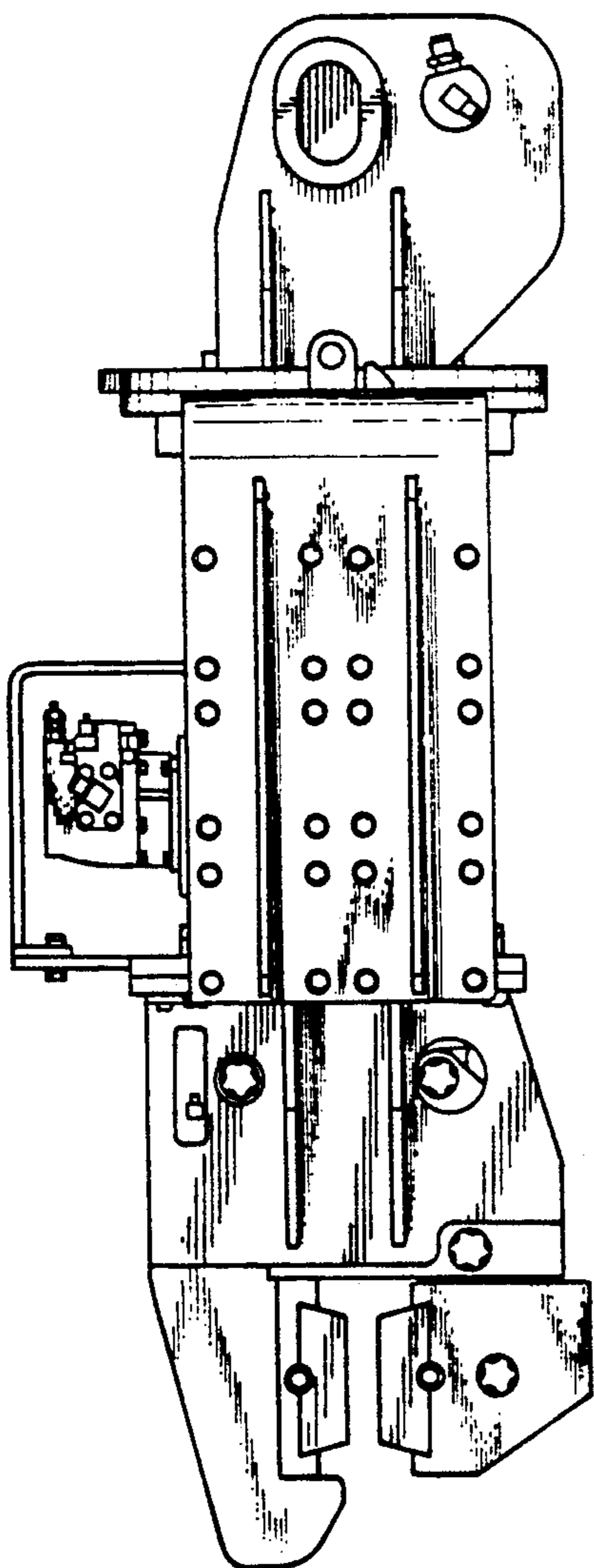


FIG . 6

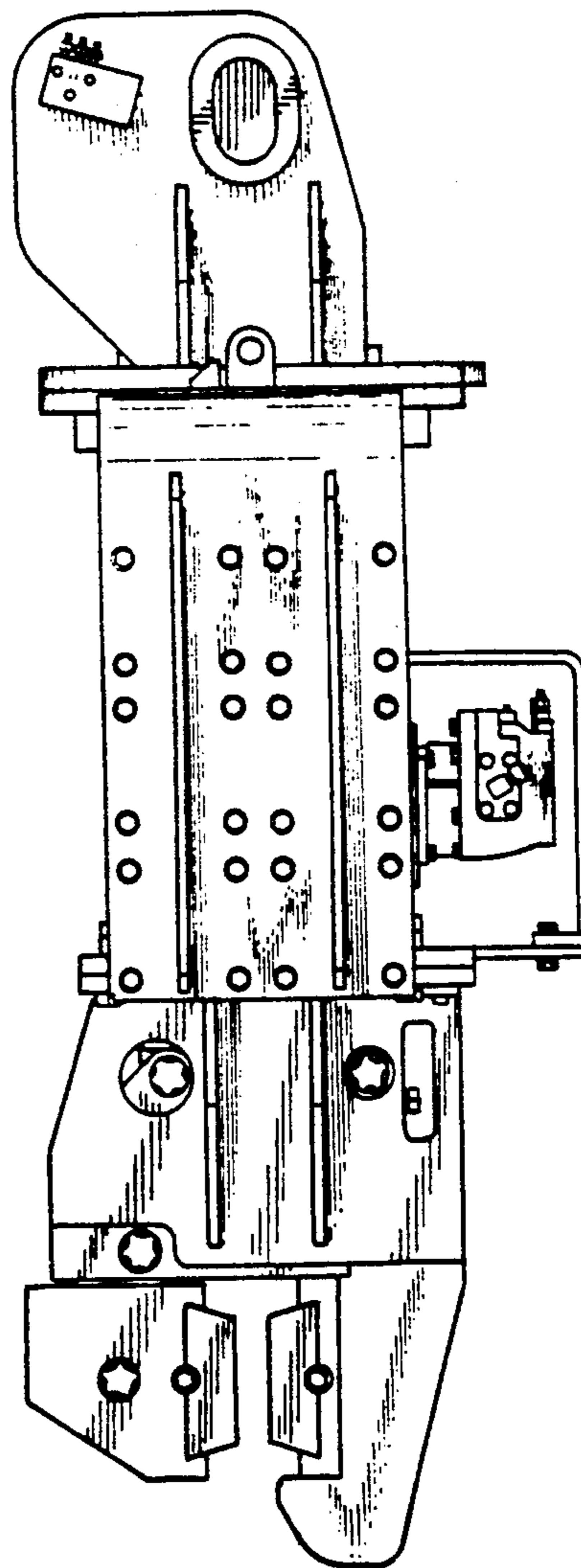


FIG. 7

