



US00D326856S

United States Patent [19]

[11] Patent Number: Des. 326,856

Hare et al.

[45] Date of Patent: ** Jun. 9, 1992

[54] SHOULDER HOLDER FOR A HANDSET TELEPHONE OR SIMILAR ARTICLE

[75] Inventors: **Bette Hare**, 948 Spartan, Rochester, Mich. 48309; **Robert Plantholt**, Rochester, Mich.

[73] Assignee: **Bette Hare**, Rochester, Mich.

[**] Term: **14 Years**

[21] Appl. No.: **562,651**

[22] Filed: **Aug. 3, 1990**

[52] U.S. Cl. **D14/253**

[58] Field of Search **D14/253; 379/449**

[56] References Cited

U.S. PATENT DOCUMENTS

D. 257,842	1/1981	Chow	D14/253
D. 291,200	8/1987	Van Dyke	D14/253
2,310,252	2/1943	Moomaw	D14/253 X
2,493,954	1/1950	Epstein	D14/253 X
2,625,612	1/1953	Rheins et al.	D14/253 X
2,687,452	8/1954	Trank	D14/253 X
3,347,998	10/1967	Cunningham	379/449
3,435,158	3/1969	Darrasse	379/449
3,582,574	6/1971	Grau	379/449
4,556,762	12/1985	Campbell	379/449
5,008,932	4/1991	Sieggen	379/449

FOREIGN PATENT DOCUMENTS

0051657 3/1983 Japan 379/446

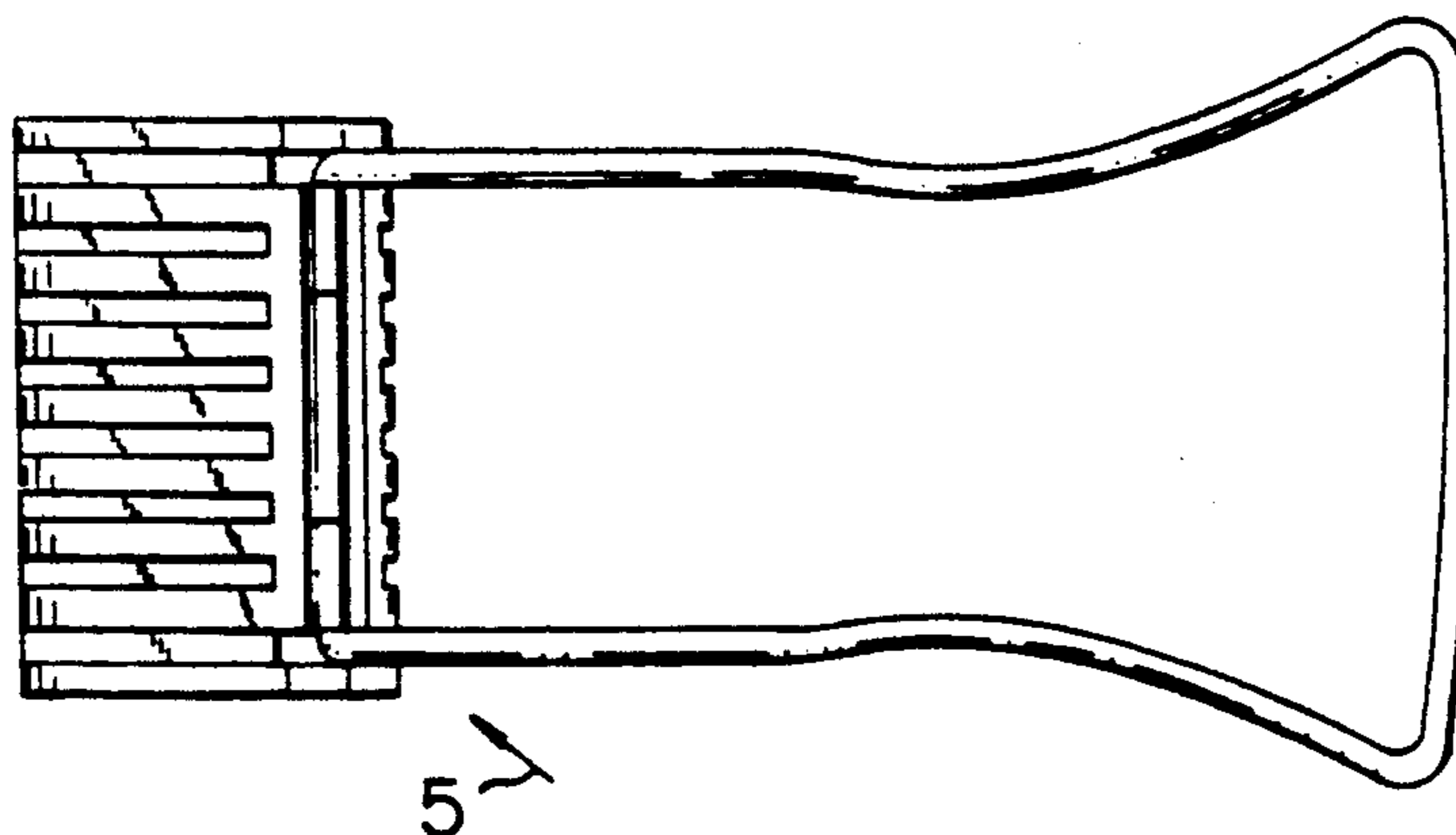
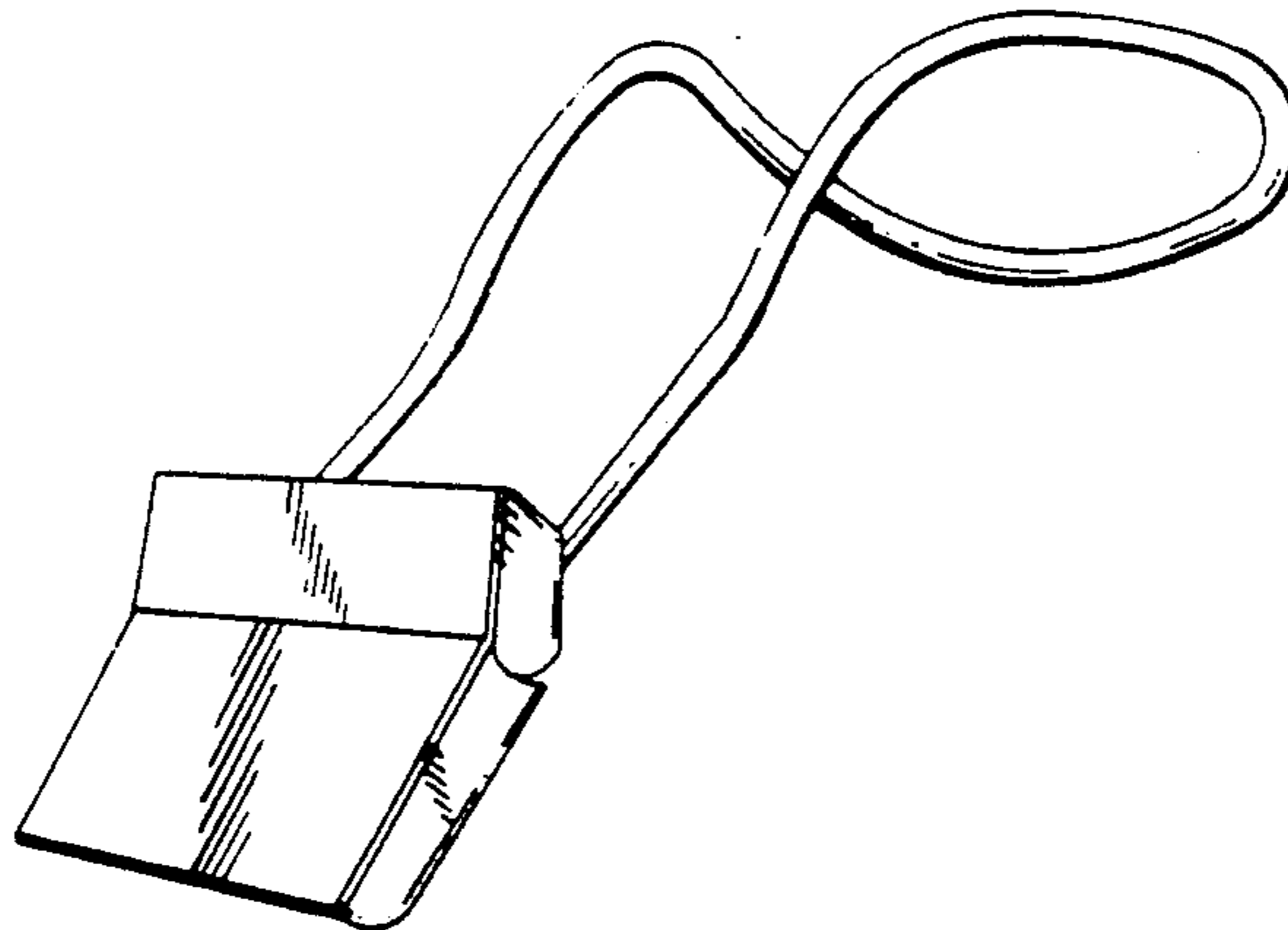
Primary Examiner—Horace B. Fay, Jr.
Attorney, Agent, or Firm—Brooks & Kushman

[57] CLAIM

The ornamental design for a shoulder holder for a handset telephone or similar article, as shown and described.

DESCRIPTION

FIG. 1 is a front and right side perspective view of a shoulder holder for a handset telephone or similar article;
 FIG. 2 is a right side elevational view thereof, the side opposite being a mirror image;
 FIG. 3 is a bottom plan view thereof;
 FIG. 4 shows the shoulder holder presented at the angle depicted therein;
 FIG. 5 shows the shoulder holder presented at the angle depicted therein;
 FIG. 6 is a side elevational of the support elements of the telephone in horizontal alignment;
 FIG. 7 is a bottom plan view of a second embodiment thereof with the top surface of the telephone support is flat and integral; and,
 FIG. 8 is a covered unitary surface of the telephone support of the holder.



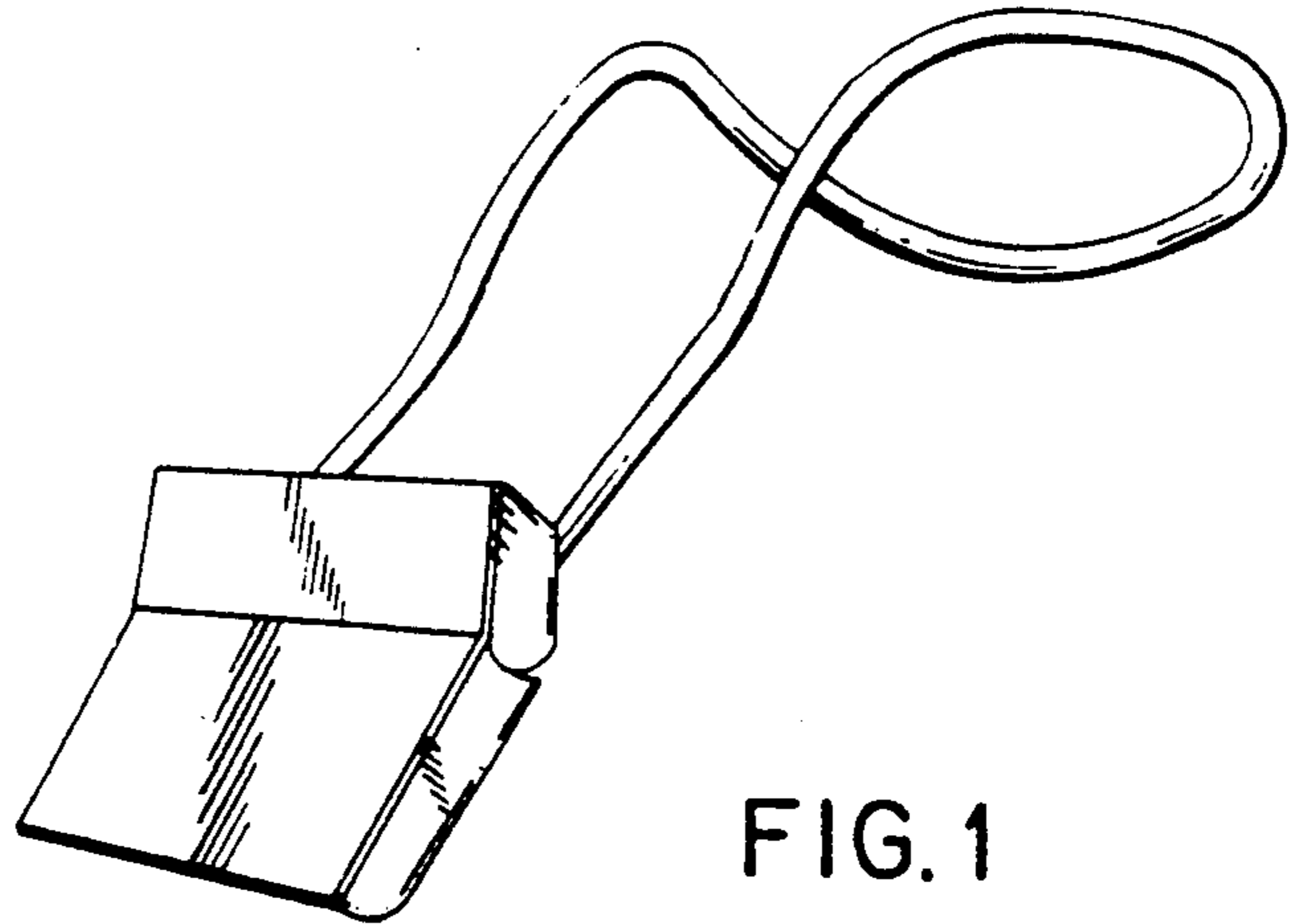


FIG. 1

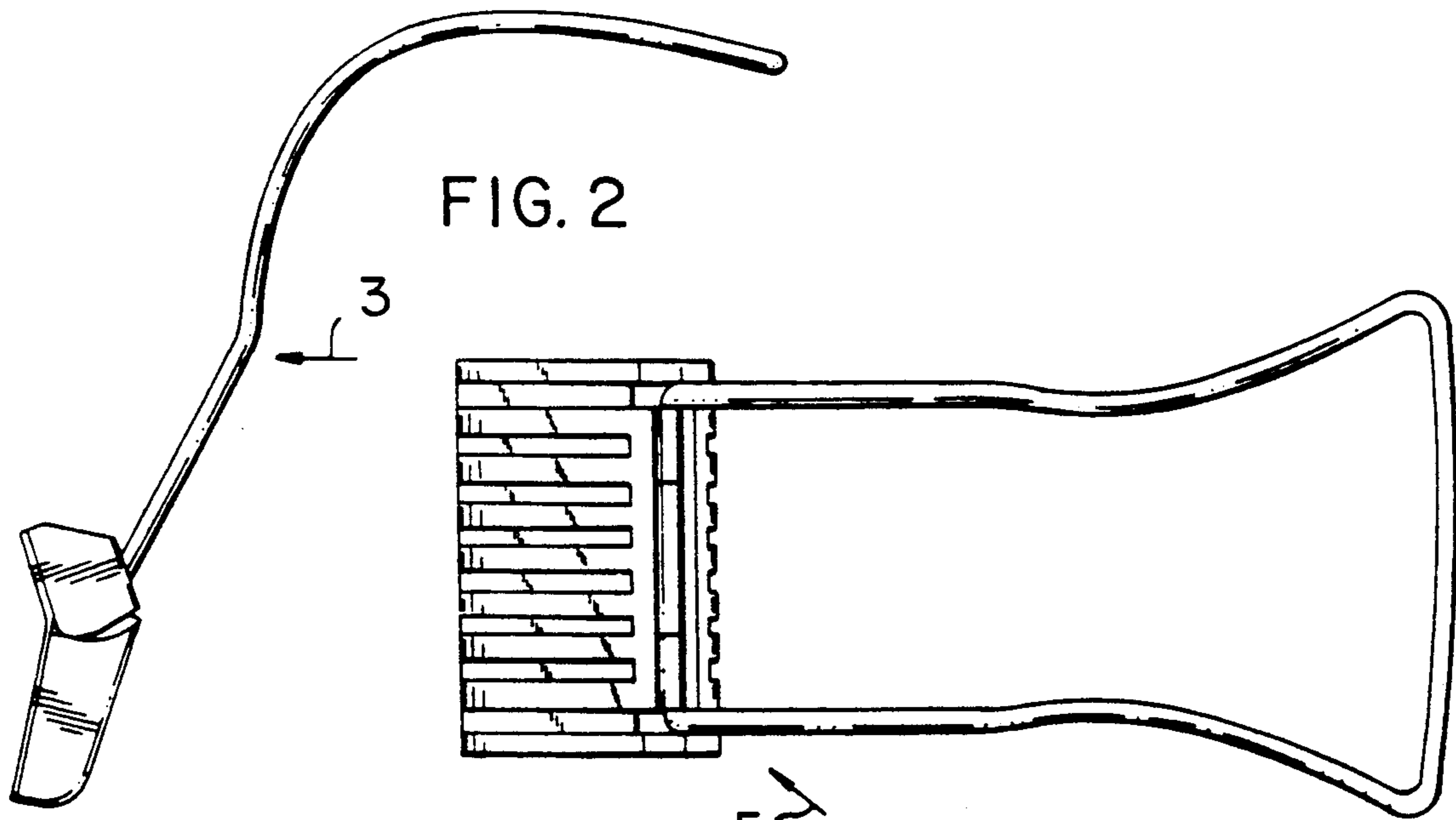


FIG. 2

FIG. 3

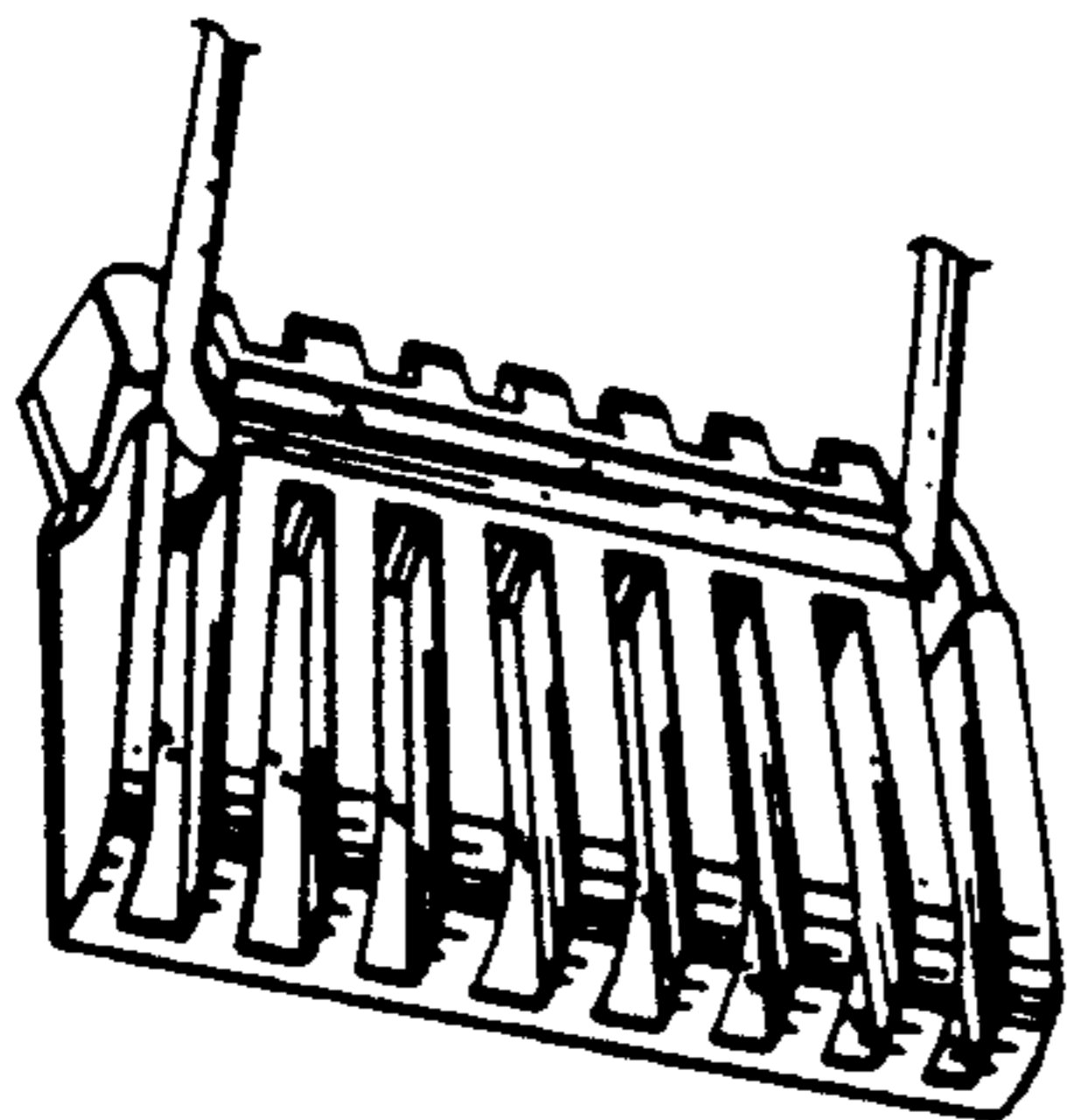


FIG. 4

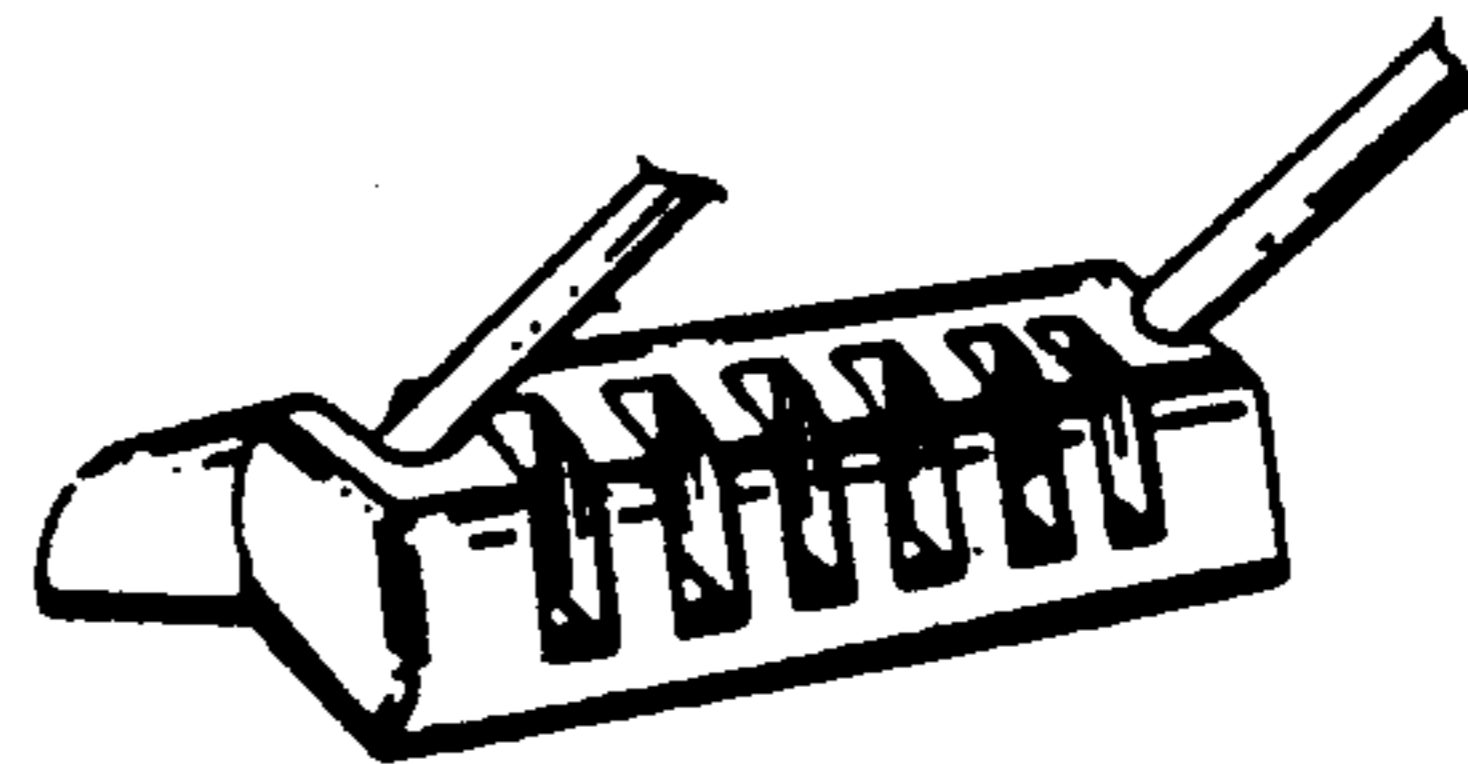


FIG. 5

