



US00D326847S

# United States Patent [19]

[11] Patent Number: **Des. 326,847**

Savio

[45] Date of Patent: **\*\* Jun. 9, 1992**

[54] **FLAT PANEL DISPLAY WITH A TILT SWIVEL BASE**

D. 317,912 7/1991 Takai ..... D14/113  
D. 321,179 10/1991 Oyama ..... D14/113  
4,438,458 3/1984 Münscher ..... 248/917 X

[75] Inventor: **Dino M. Savio**, Clearwater, Fla.

*Primary Examiner*—Wallace R. Burke  
*Assistant Examiner*—Freda S. Nunn  
*Attorney, Agent, or Firm*—John C. Smith

[73] Assignee: **International Business Machines Corporation**, Armonk, N.Y.

[\*\*] Term: **14 Years**

[57] **CLAIM**

[21] Appl. No.: **524,991**

The ornamental design for a flat panel display with a tilt and swivel base, as shown and described.

[22] Filed: **May 15, 1990**

**DESCRIPTION**

[52] U.S. Cl. .... **D14/113**

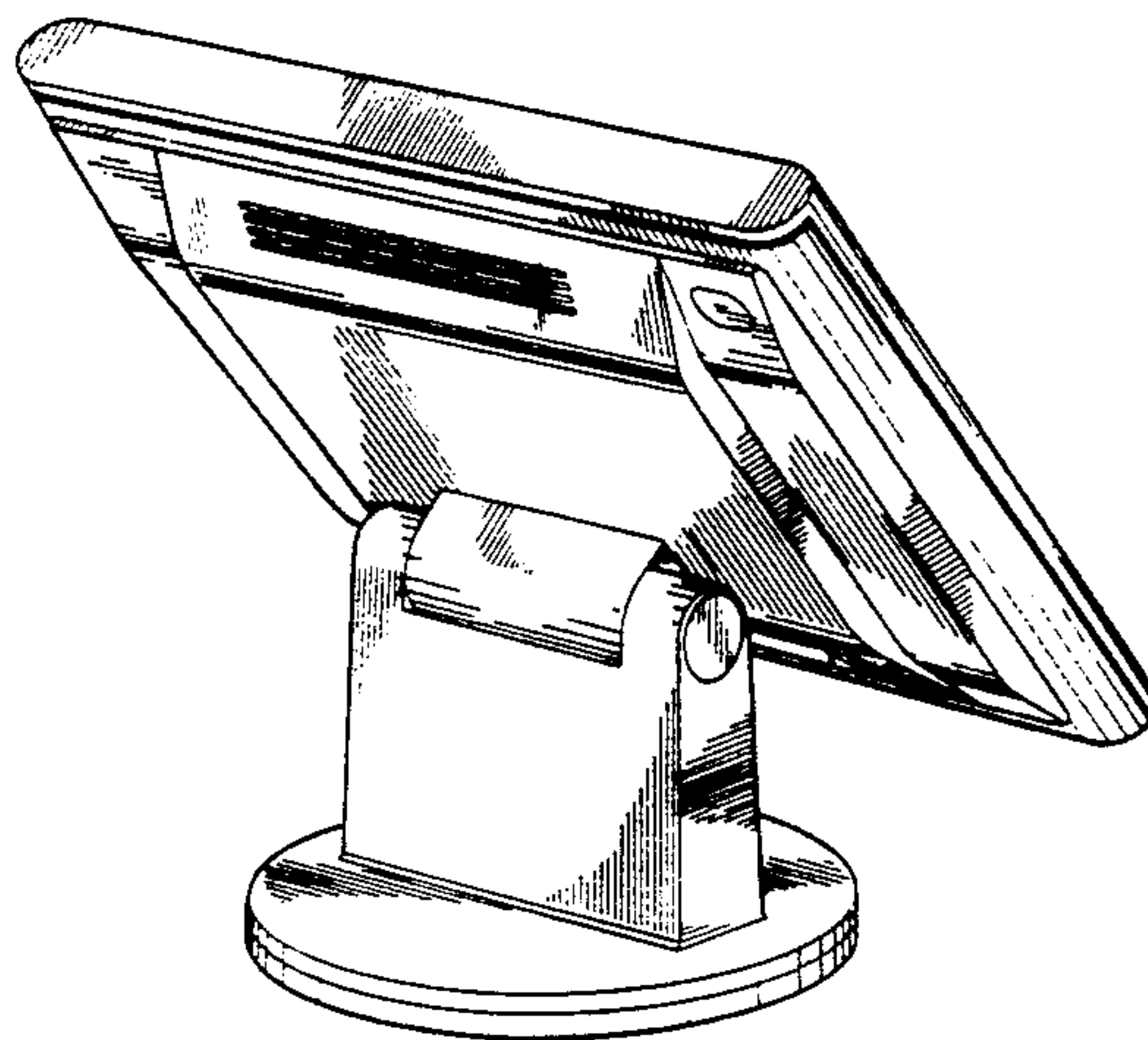
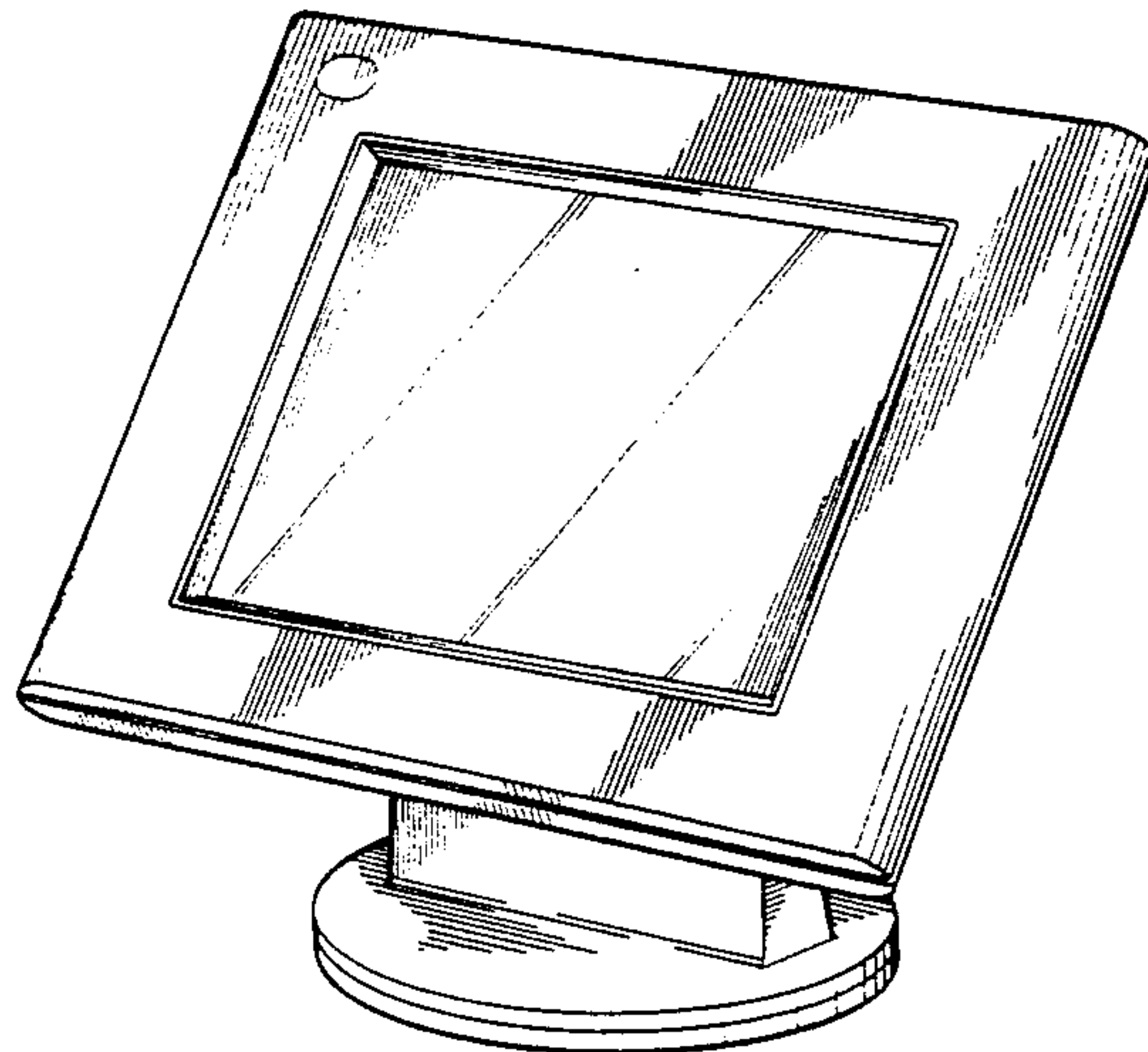
[58] Field of Search ..... D14/100, 101, 105, 106, D14/113; D18/1, 7, 11, 12; 358/248, 249, 254, 255; 340/700, 706, 711, 712; 364/706-709.09; 315/366; 313/422; 248/917-924, 676, 678, 469, 664

FIG. 1 is a front elevational view of a flat panel display with a tilt swivel base showing my new design; FIG. 2 is a right front perspective view thereof; FIG. 3 is a left front perspective view thereof; FIG. 4 is a rear elevational view thereof; FIG. 5 is a left rear perspective view thereof; FIG. 6 is a right rear perspective view thereof; FIG. 7 is a right side elevational view thereof; FIG. 8 is a left side elevational view thereof; FIG. 9 is a left front perspective view of a second embodiment of my new design; and, FIG. 10 is a right front perspective view thereof.

[56] **References Cited**

**U.S. PATENT DOCUMENTS**

D. 294,262 2/1988 Thies et al. .... D14/113  
D. 295,415 4/1988 Thies et al. .... D14/113 X  
D. 303,661 9/1989 Manabe et al. .... D14/113  
D. 305,647 1/1990 Kato et al. .... D14/113



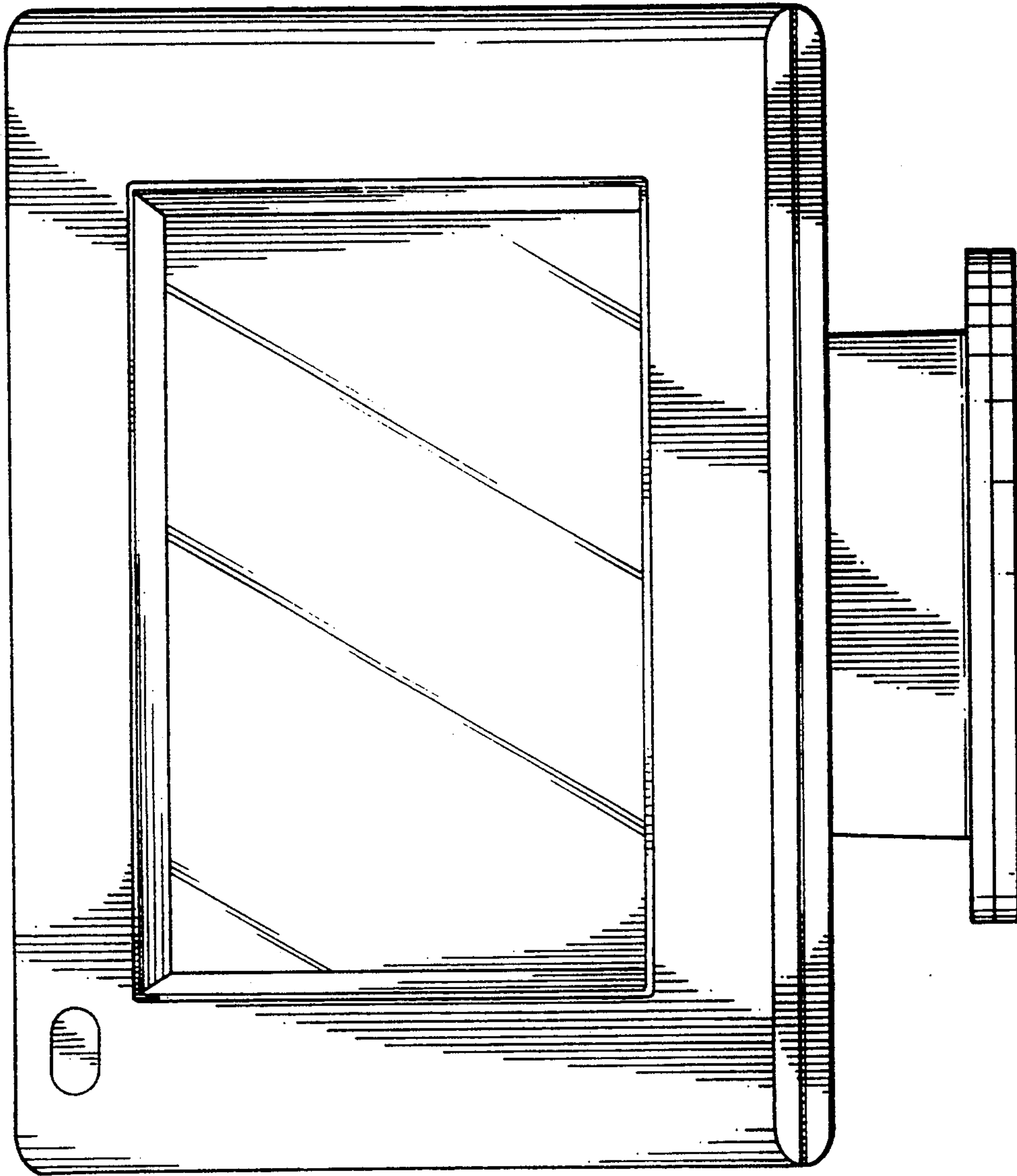


FIG. 1

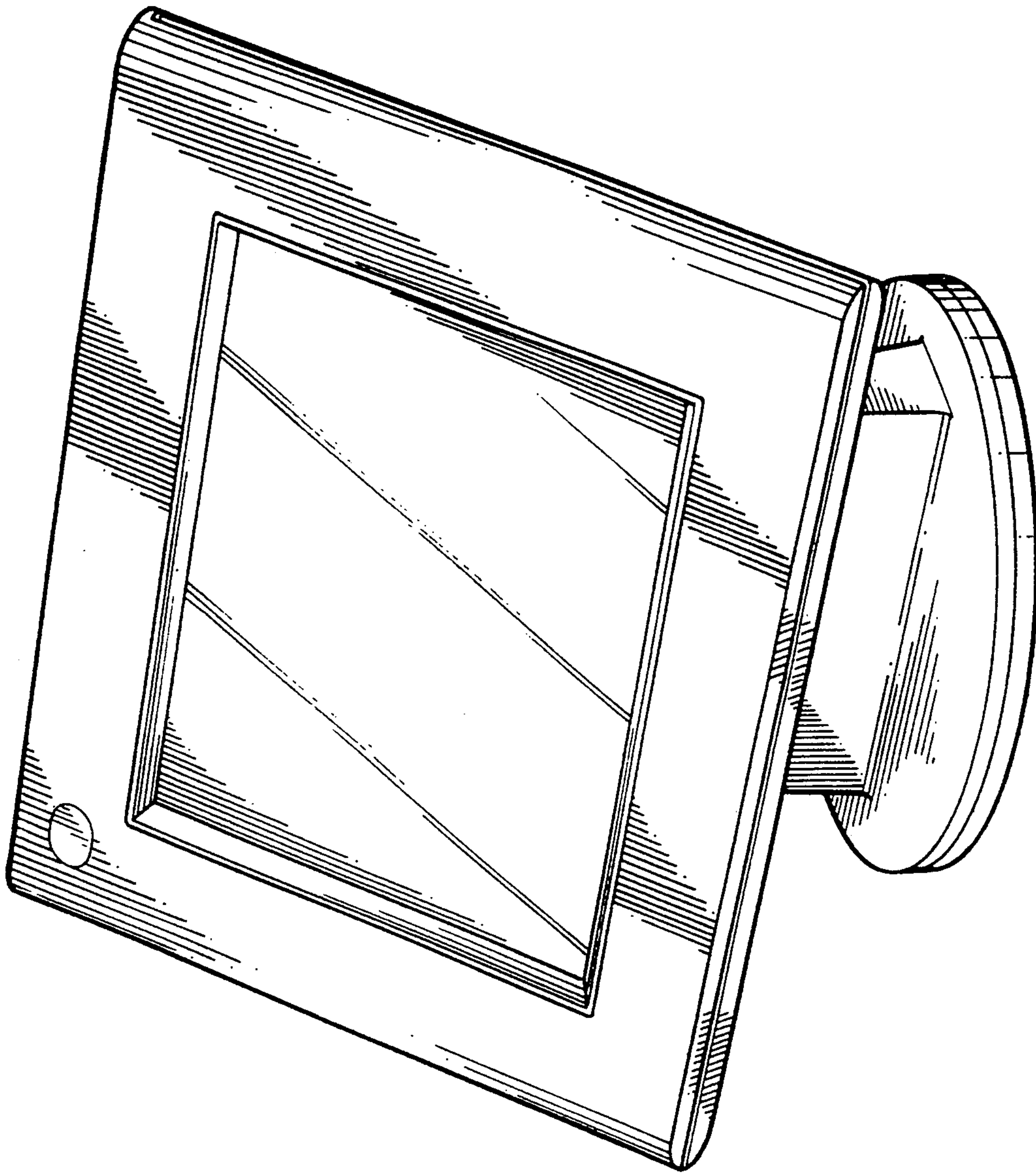


FIG. 2



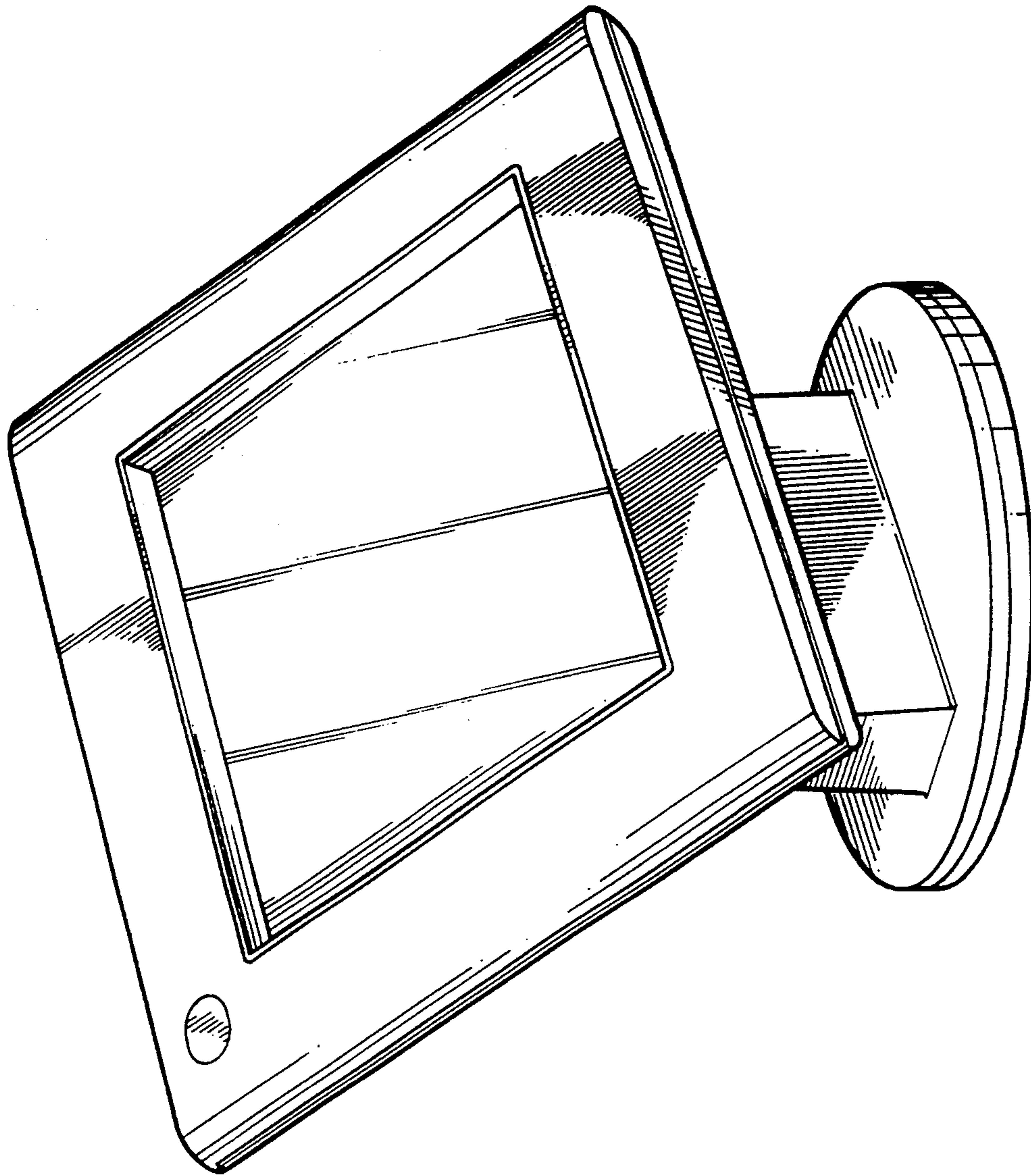


FIG. 3

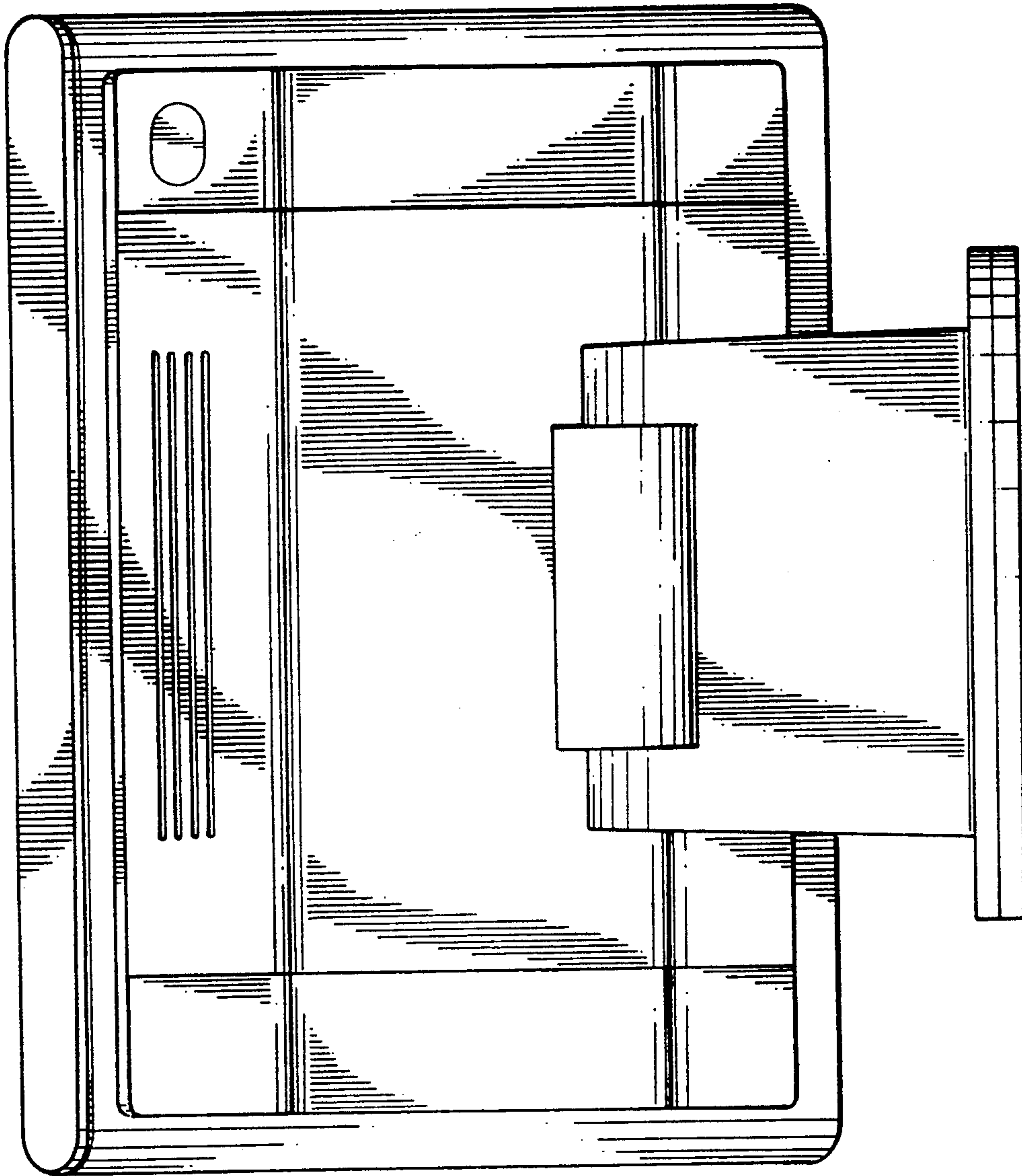


FIG. 4

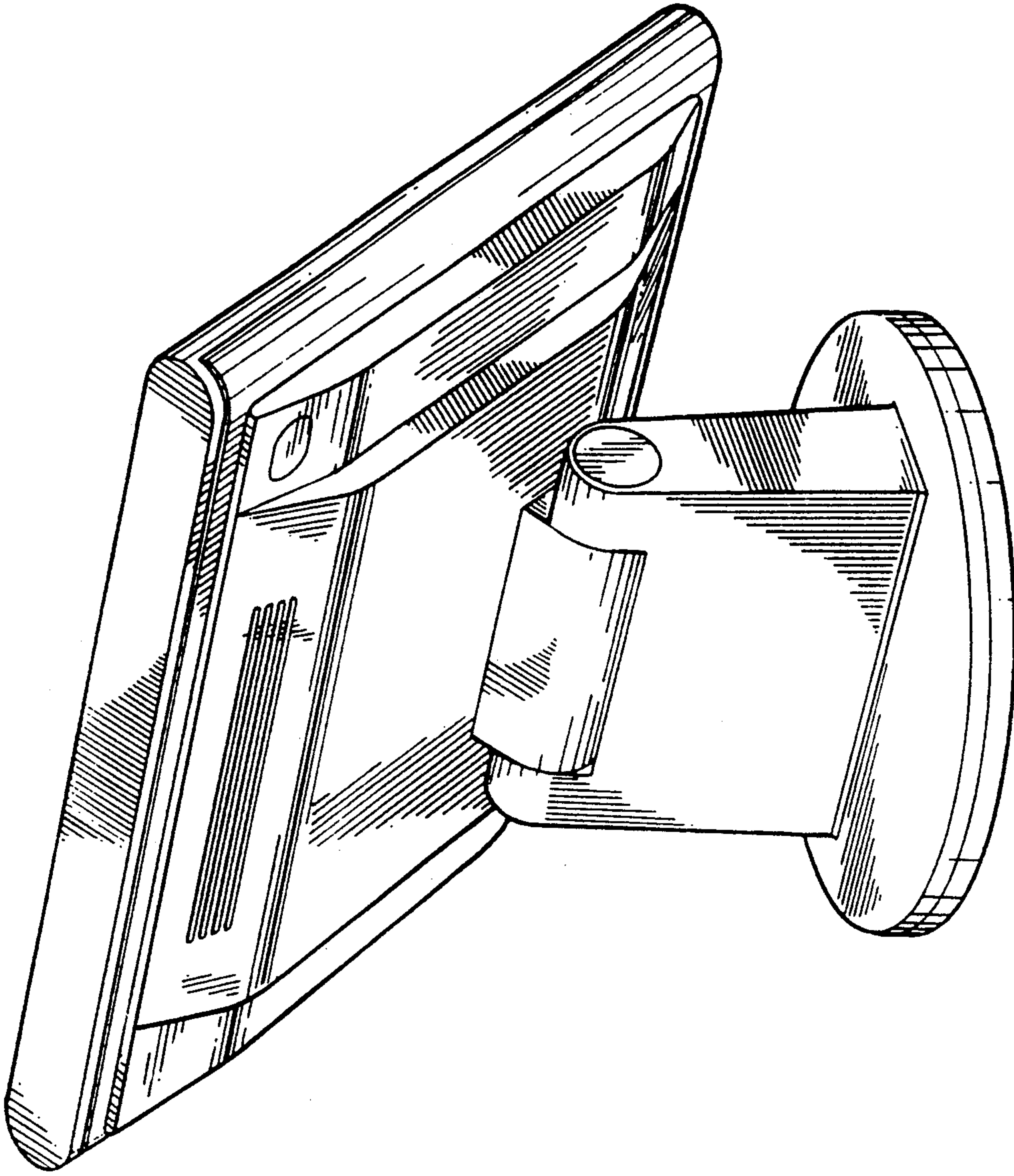


FIG. 5

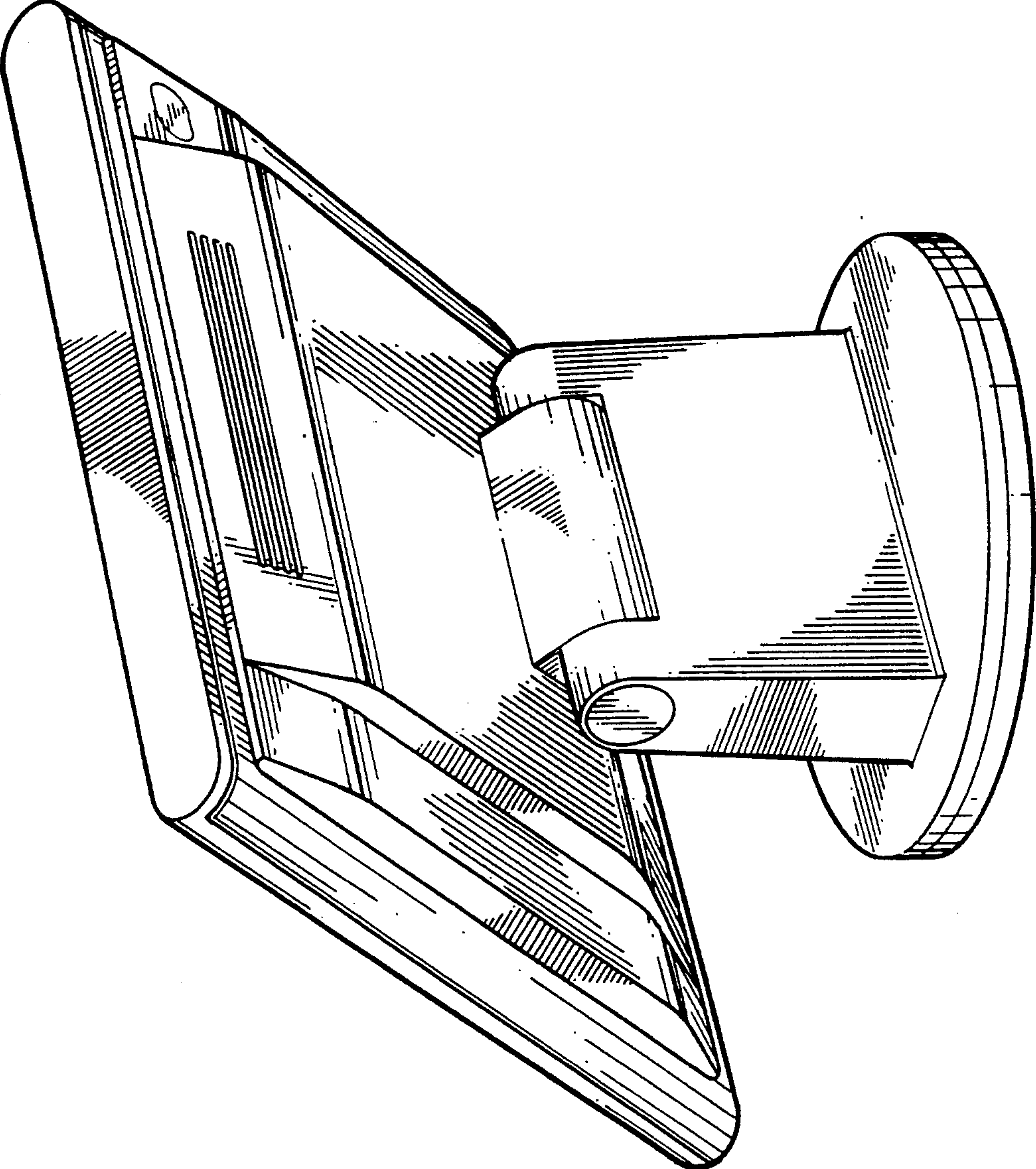


FIG. 6



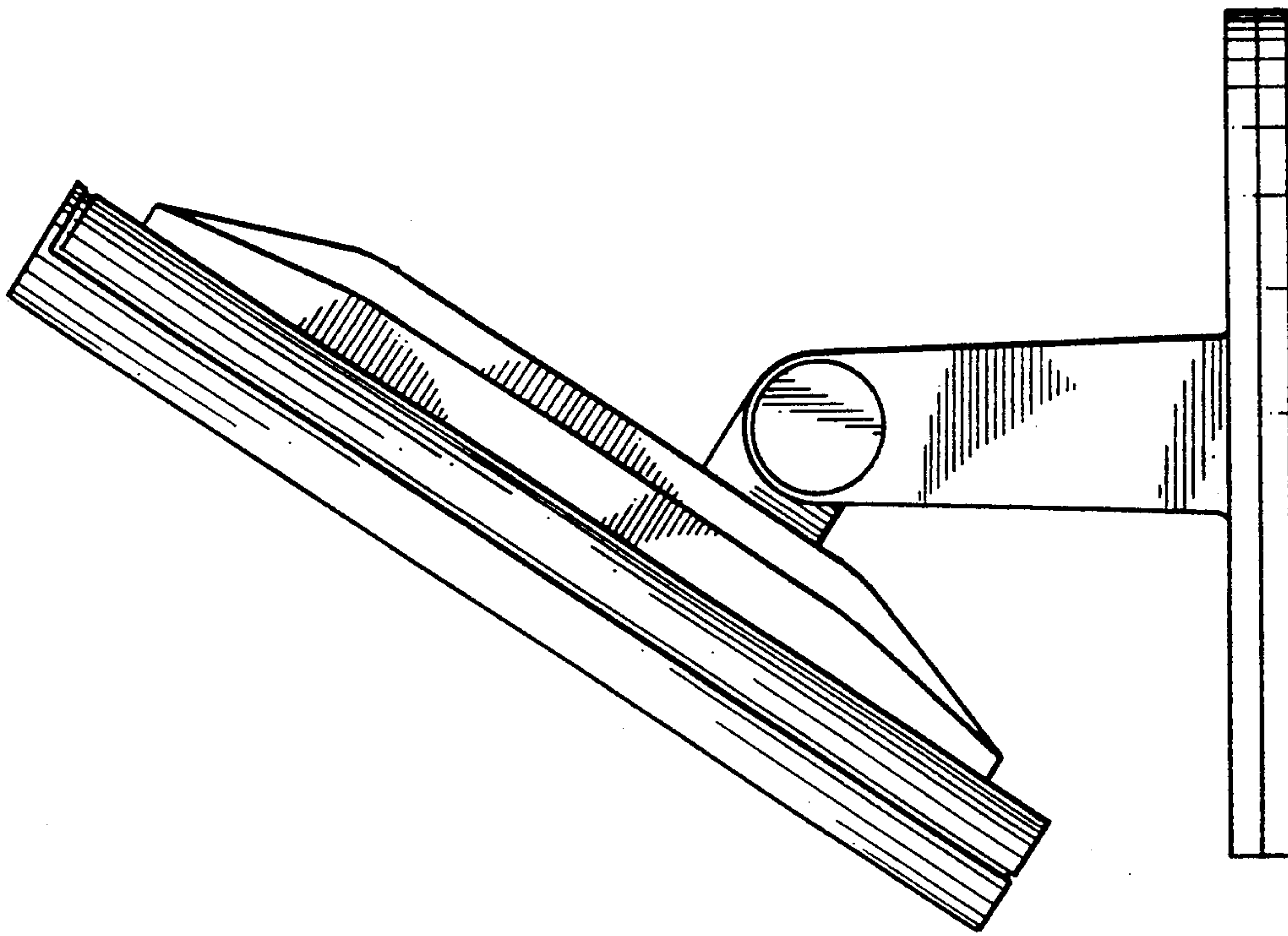


FIG. 7



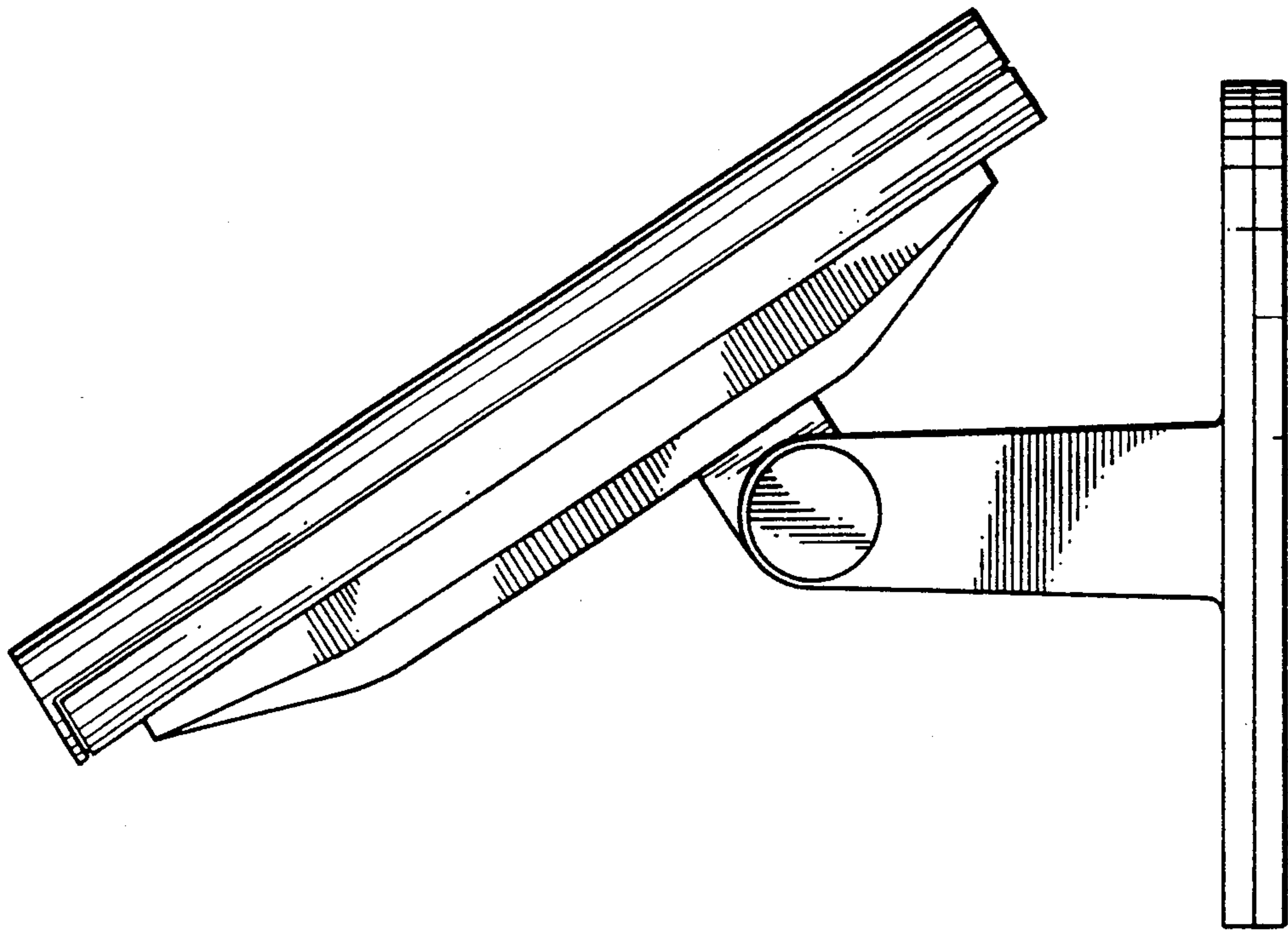


FIG. 8

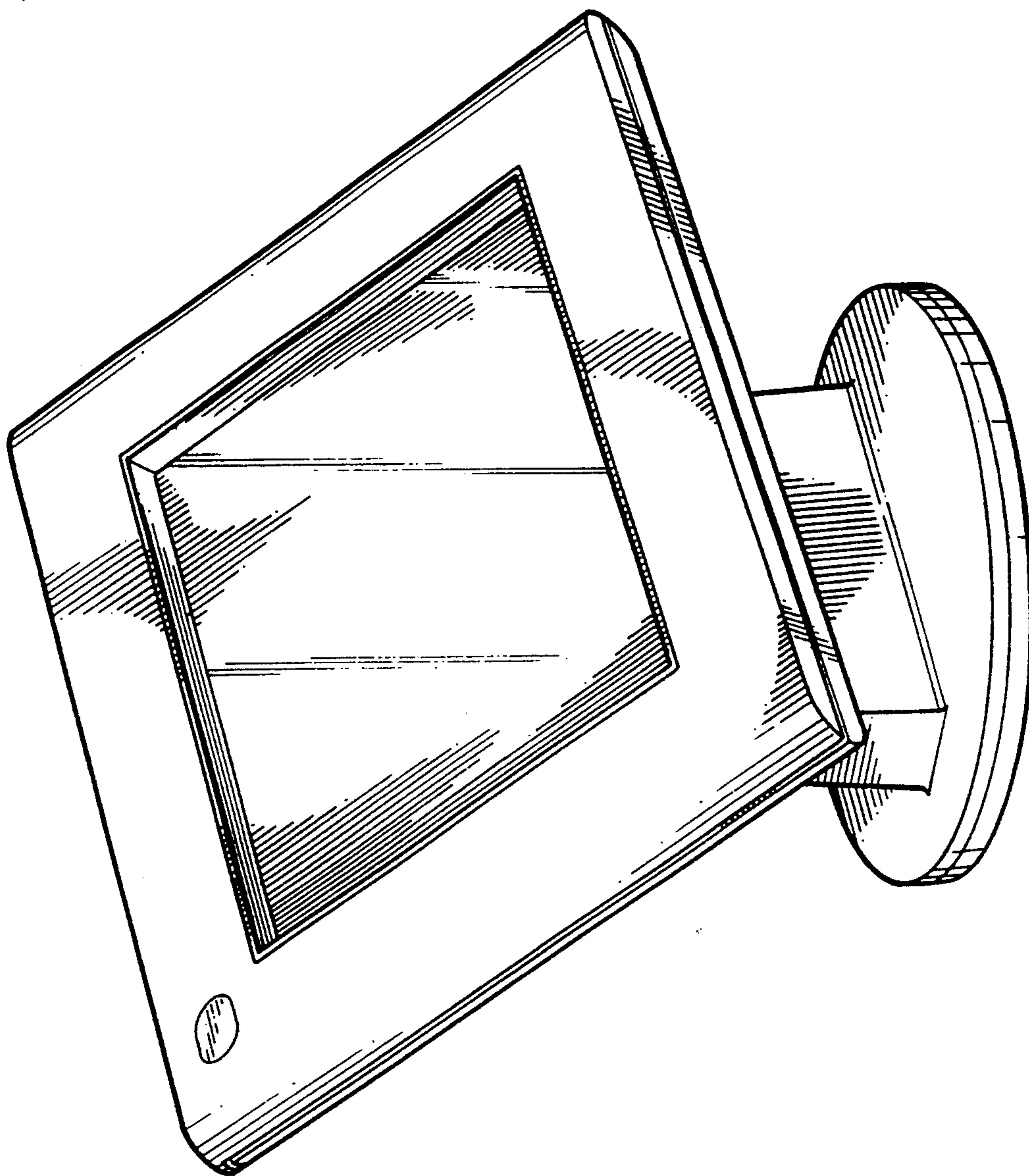


FIG. 9

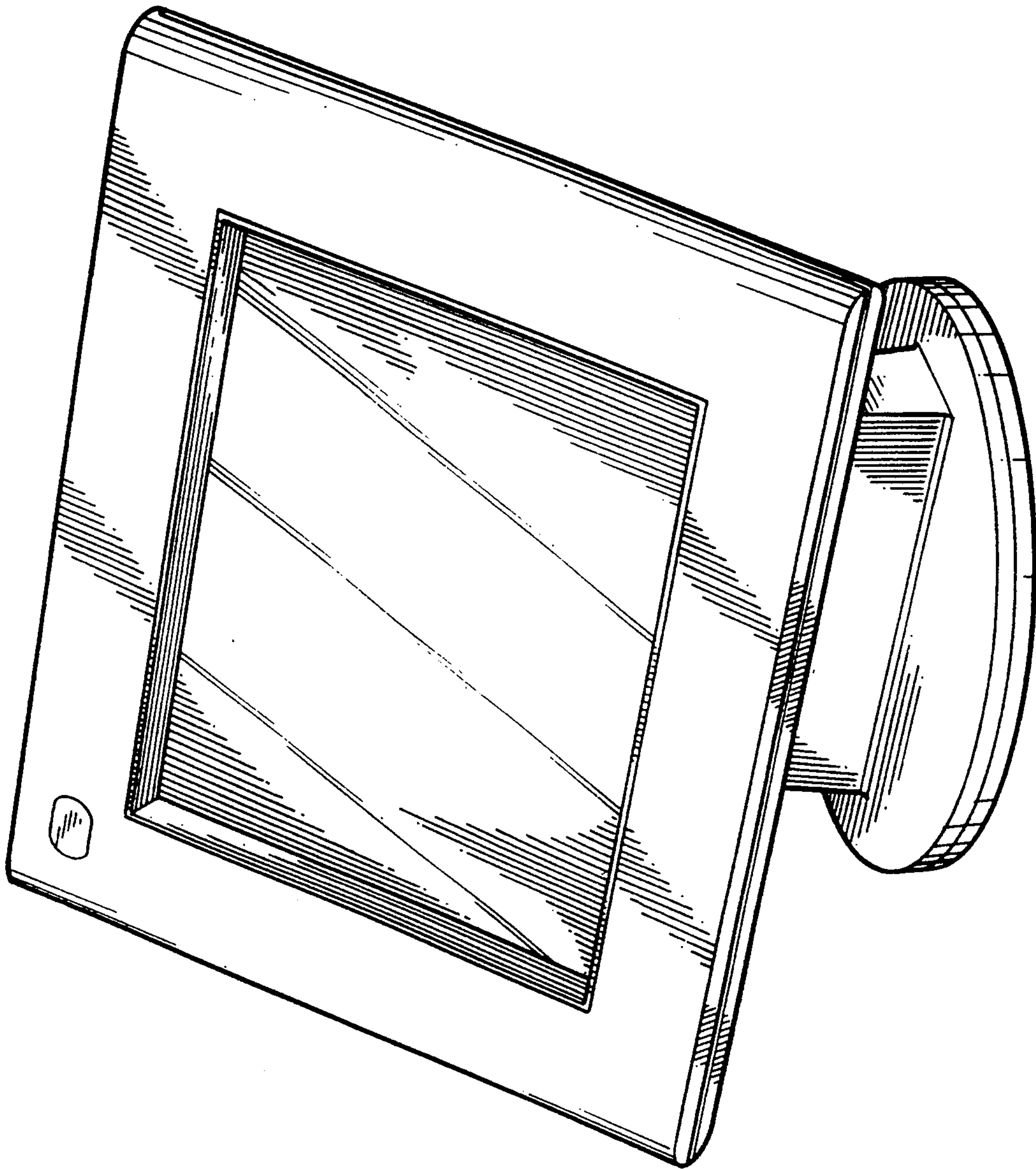


FIG. 10