



US00D326846S

# United States Patent [19]

[11] Patent Number: **Des. 326,846**

Lerude

[45] Date of Patent: **\*\* Jun. 9, 1992**

[54] **PORTABLE DATA-PROCESSING  
TERMINAL WITH PIVOTING SCREEN**

[75] Inventor: **Gérard Lerude, Antibes, France**

[73] Assignee: **Telemecanique, France**

[\*\*] Term: **14 Years**

[21] Appl. No.: **459,111**

[22] Filed: **Dec. 29, 1989**

[52] U.S. Cl. .... **D14/106**

[58] Field of Search ..... D14/100, 101, 106, 113,  
D14/115; D18/1, 7, 11, 12; 235/145 A, 145 R;  
312/208; 340/700, 706, 711; 341/22, 23;  
358/249, 254; 364/706-710; 400/477, 485, 486,  
488, 489, 681, 682, 691; 248/917-925

[56] **References Cited**

**U.S. PATENT DOCUMENTS**

D. 294,356	2/1988	Papajohn	.....	D14/106
D. 294,578	3/1988	Yubisui	.....	D14/106
D. 298,537	11/1988	Walters, II et al.	.....	D14/106
D. 302,974	8/1989	Shim	.....	D14/106

D. 306,156 2/1990 Myers et al. .... D14/106

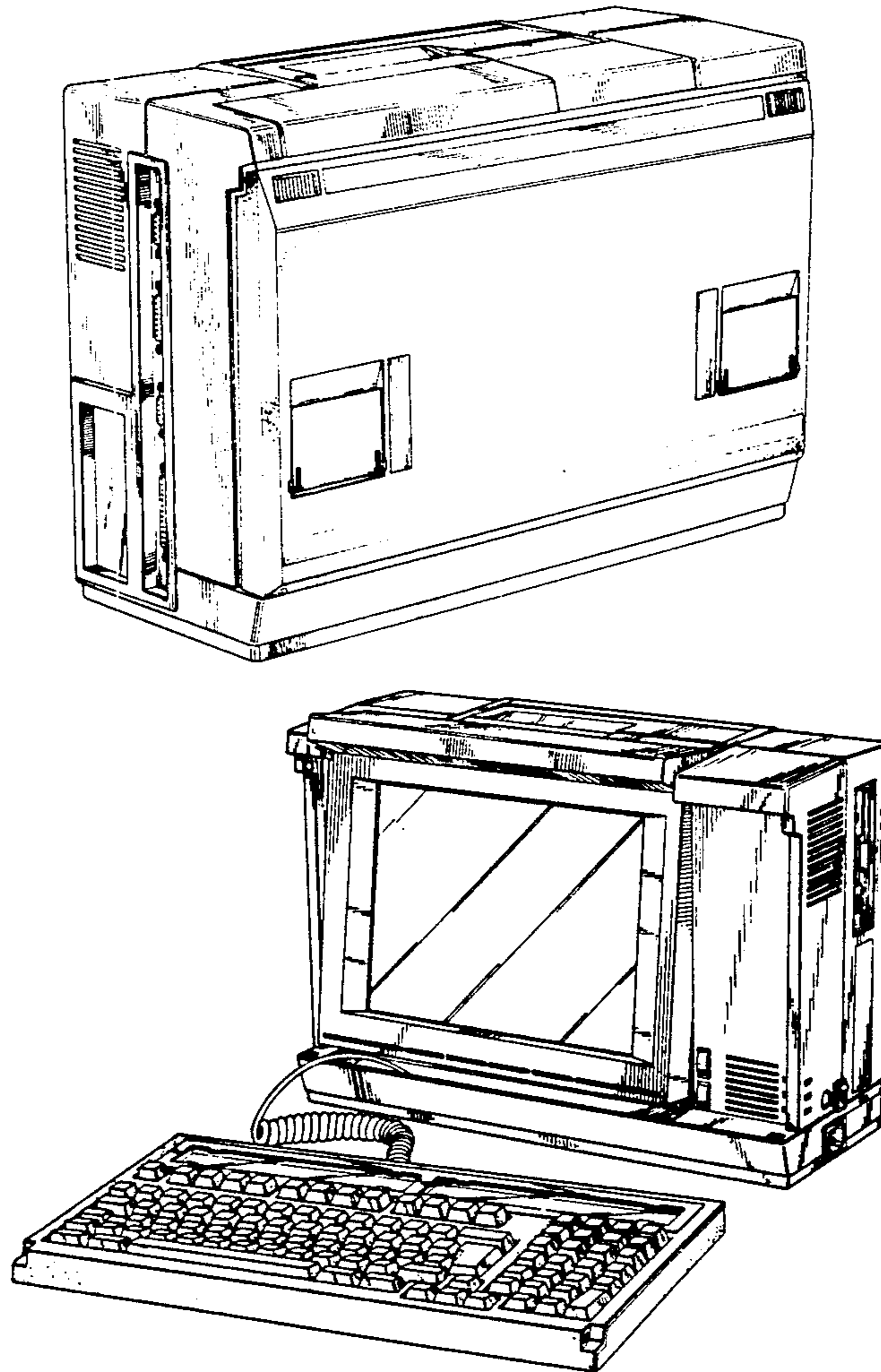
*Primary Examiner*—Wallace R. Burke  
*Assistant Examiner*—Freda S. Nunn  
*Attorney, Agent, or Firm*—William A. Drucker

[57] **CLAIM**

The ornamental design for a portable data-processing terminal with pivoting screen, as shown and described.

**DESCRIPTION**

FIG. 1 is a front perspective view of a portable data-processing terminal with pivoting screen showing my new design with the keyboard mounted;  
FIG. 2 is a rear perspective view thereof;  
FIG. 3 is a rear elevational view thereof showing the handle extended;  
FIG. 4 is a perspective view thereof showing the keyboard extracted and placed in an operative position;  
FIG. 5 is a front elevational view thereof;  
FIG. 6 is a side elevational view thereof showing the screen in a pivoted position; and,  
FIG. 7 is a side elevational view thereof similar to that shown in FIG. 6.  
The keyboard has been omitted from FIGS. 5, 6 and 7.



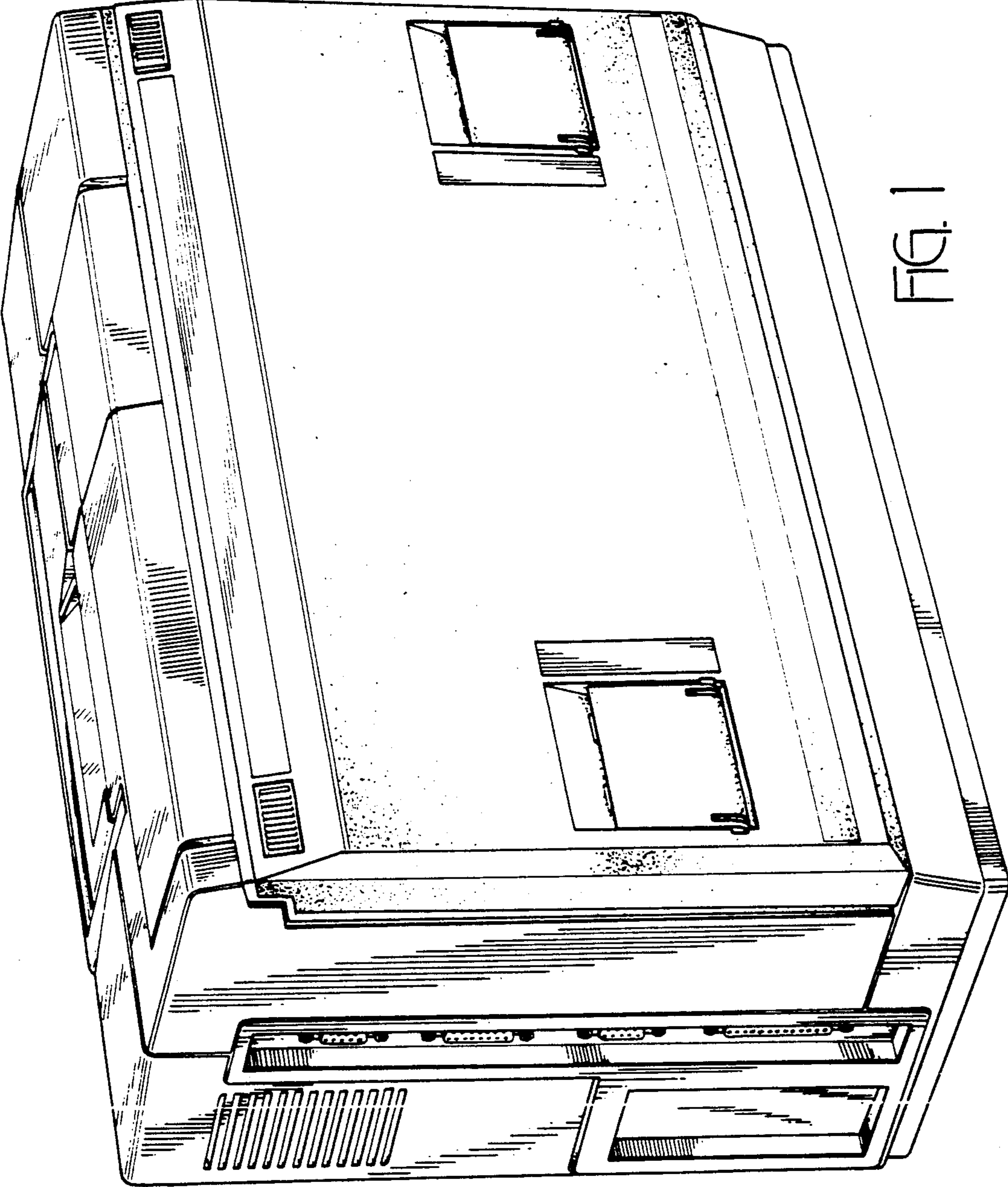


FIG. 1

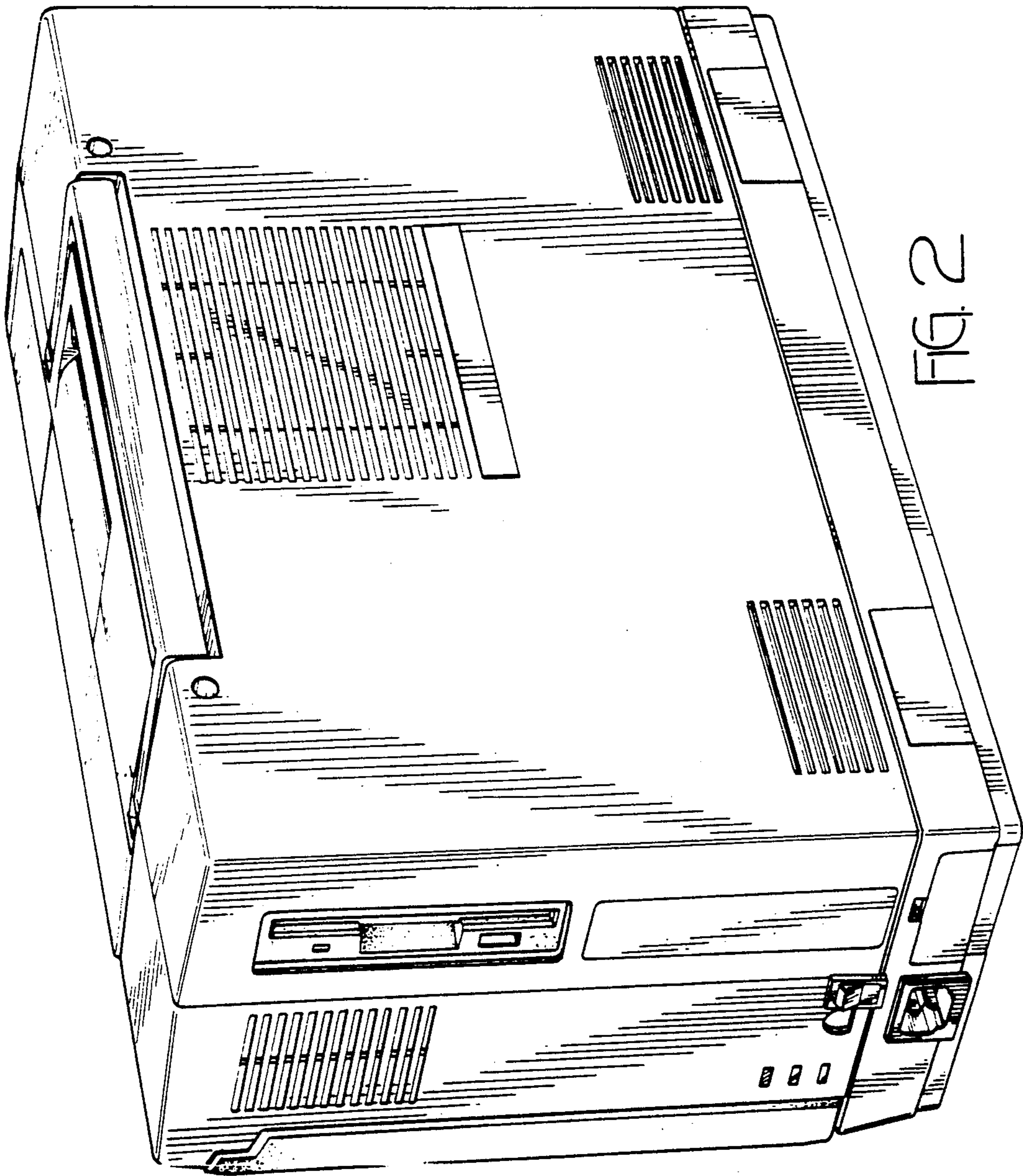
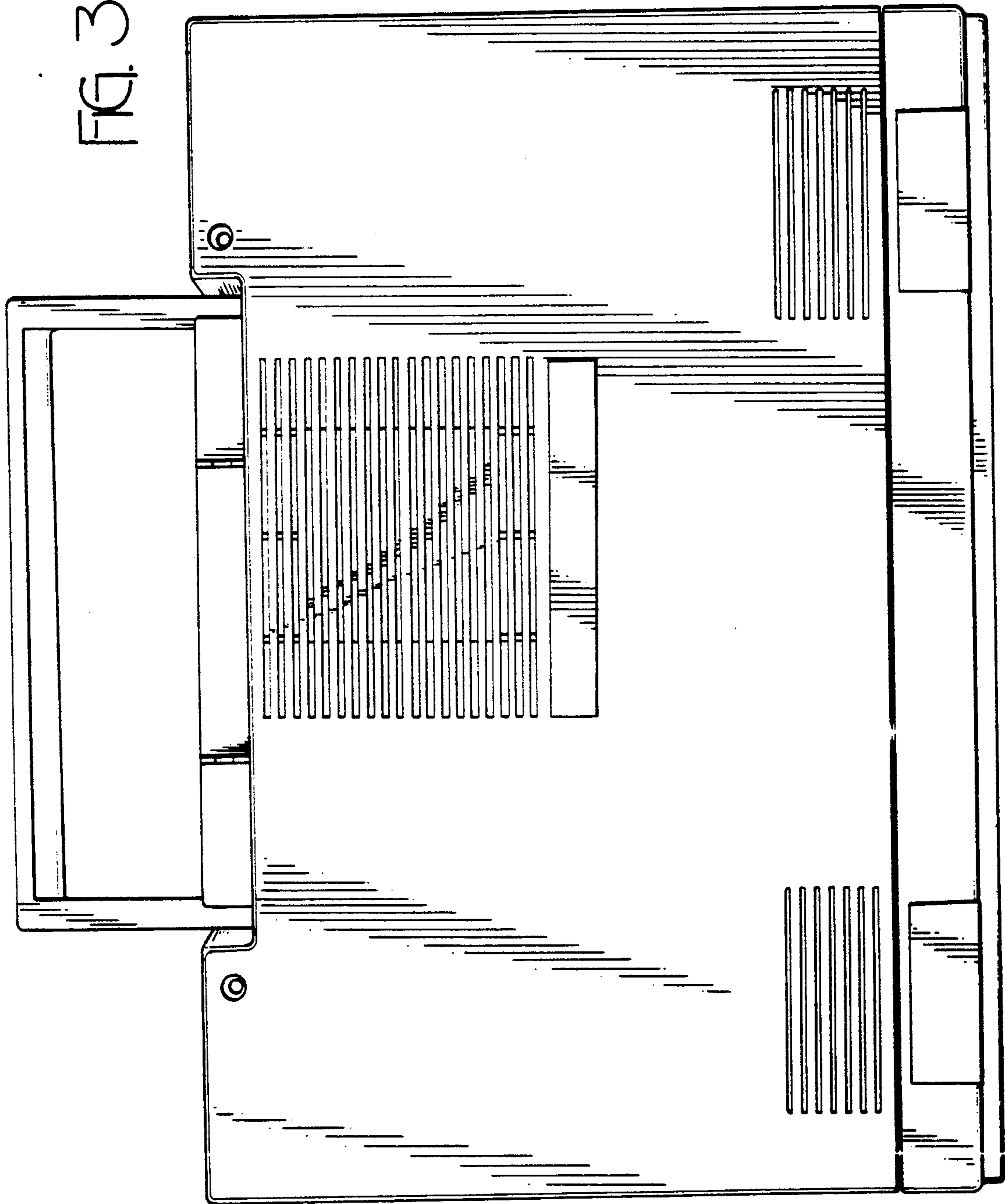


FIG. 2

FIG. 3



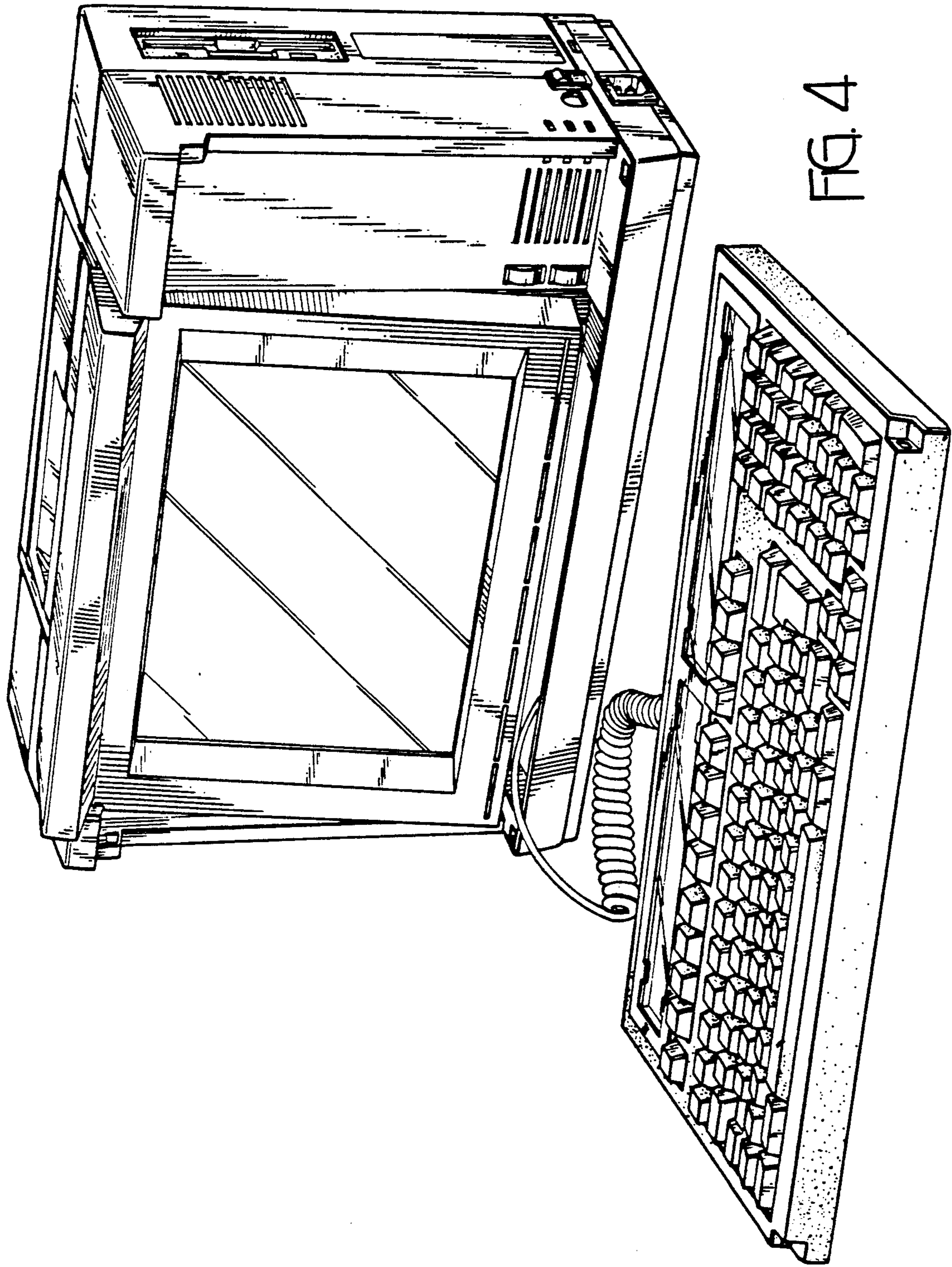


FIG. 4

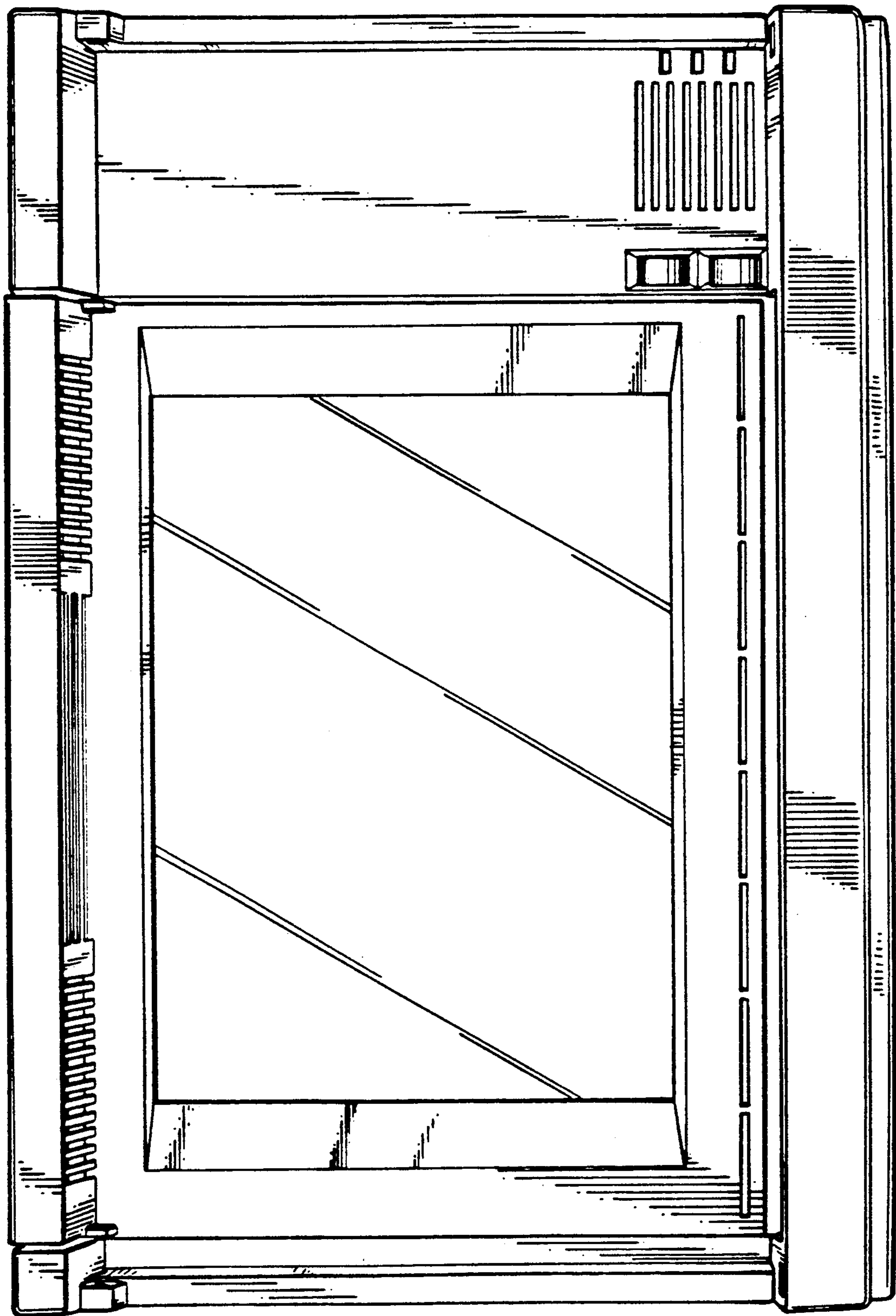


FIG 5

