



US00D326845S

United States Patent [19]

[11] Patent Number: **Des. 326,845**

Katz et al.

[45] Date of Patent: **** Jun. 9, 1992**

[54] FUSE HOLDER

3,778,741 12/1973 Schmidt, Jr. 337/201
4,909,761 3/1990 Muguira 337/201 X

[75] Inventors: **Paul C. Katz**, Chicago; **Patrick A. Pisciotto**, Wood Dale; **Gary I. Robin**, Niles, all of Ill.

Primary Examiner—Susan J. Lucas
Assistant Examiner—J. Sincavage
Attorney, Agent, or Firm—Fitch, Even, Tabin & Flannery

[73] Assignee: **Triplex Manufacturing Co.**, Chicago, Ill.

[**] Term: **14 Years**

[57] **CLAIM**

The ornamental design for a fuse holder, as shown and described.

[21] Appl. No.: **522,386**

[22] Filed: **May 11, 1990**

DESCRIPTION

[52] U.S. Cl. **D13/160**

[58] Field of Search D13/161, 178; 439/250, 439/366, 441, 620, 621, 667, 893; 337/186, 201; 174/91, 92, 154, 174

FIG. 1 is a front and upper left perspective view of a fuse holder showing my new design. The broken line showing of the conductors for the purpose of illustrating environmental elements only and forms no part of the claimed design;

[56] **References Cited**

U.S. PATENT DOCUMENTS

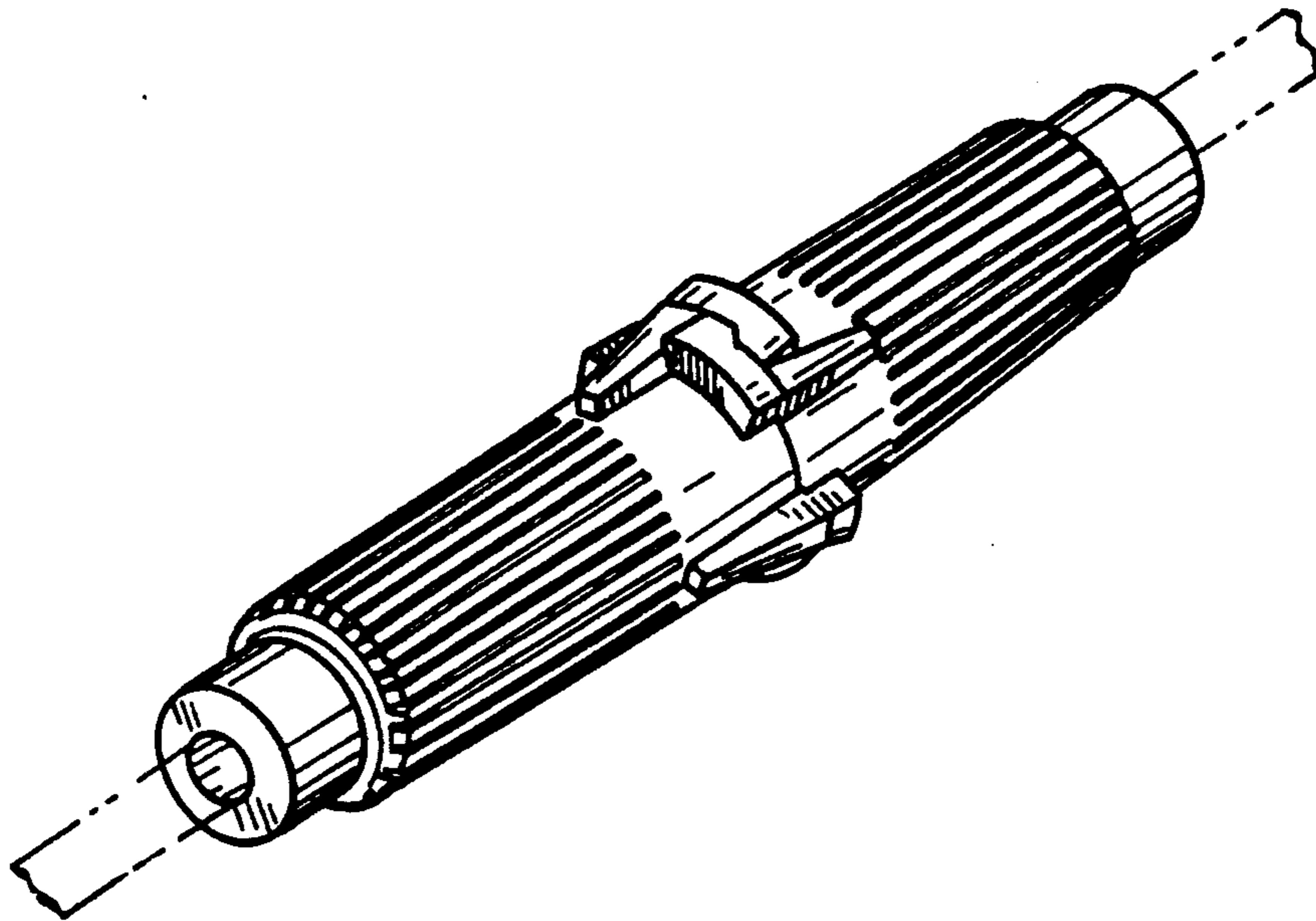
2,039,996	5/1936	Hessel	439/359
2,046,221	6/1936	Thomas	337/201
2,700,085	1/1955	Breisch et al.	337/201
3,551,869	12/1970	Robinson	337/201

FIG. 2 is a front elevational view of a fuse holder shown on an enlarged scale;

FIG. 3 is a right side elevational view thereof, the left side elevational view thereof being a identical;

FIG. 4 is a top plan view thereof; and,

FIG. 5 is a bottom plan view thereof.



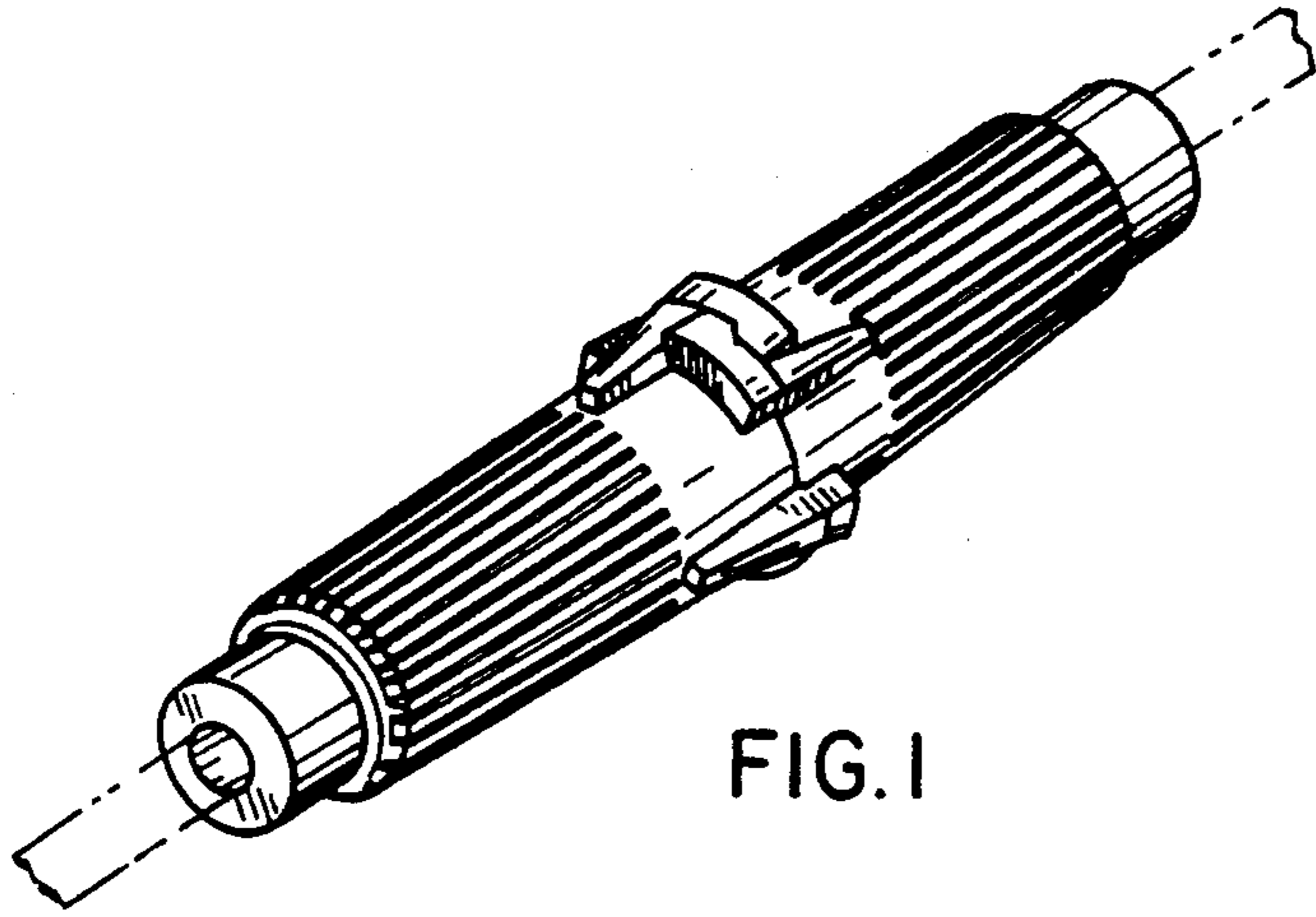


FIG. 1

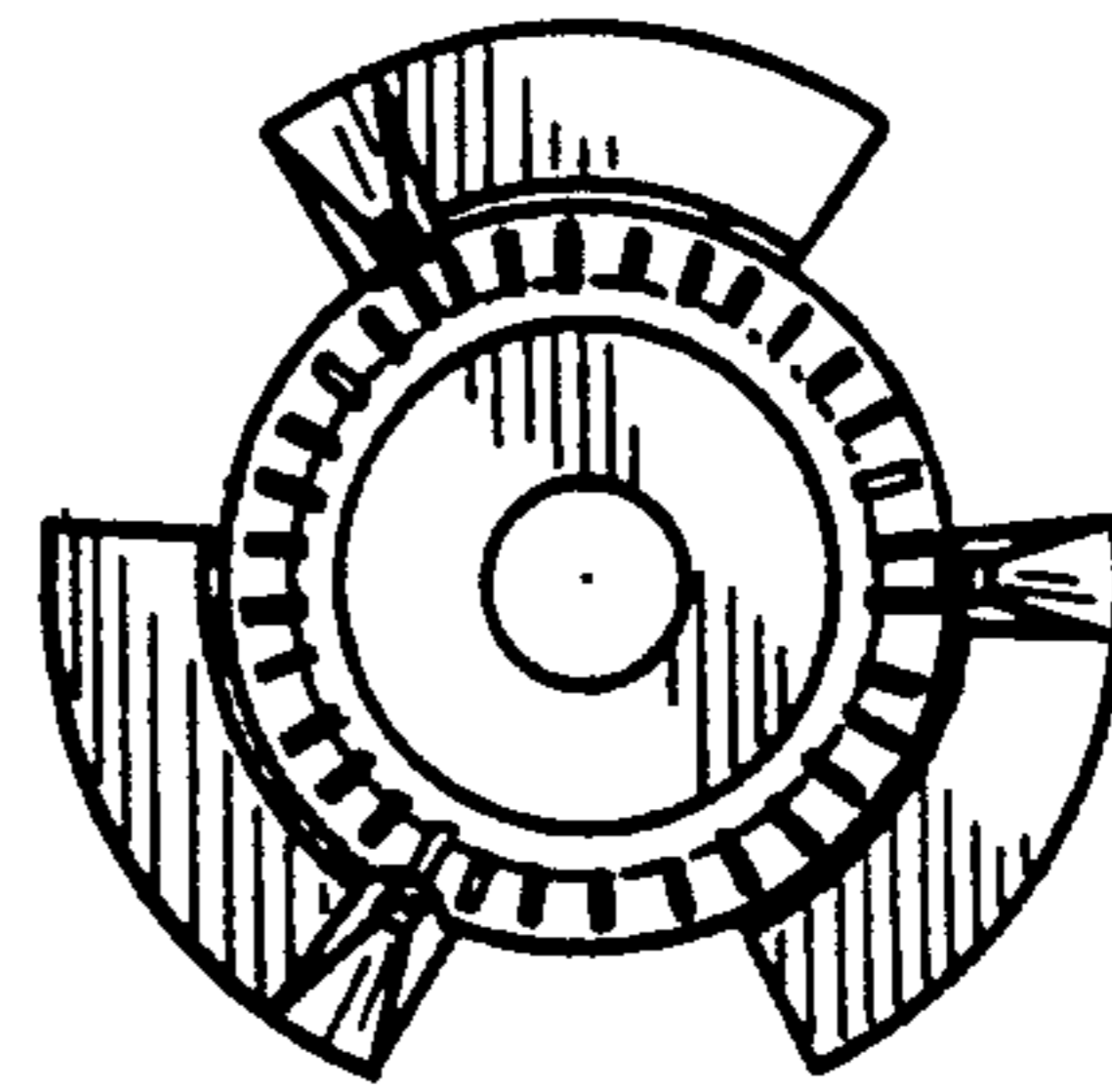


FIG. 3

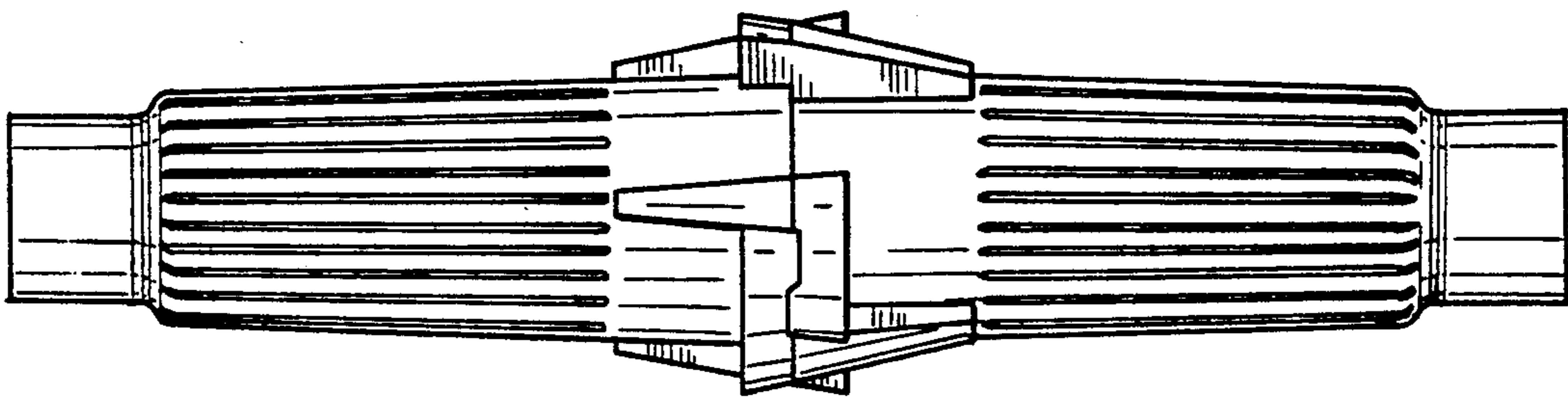


FIG. 2

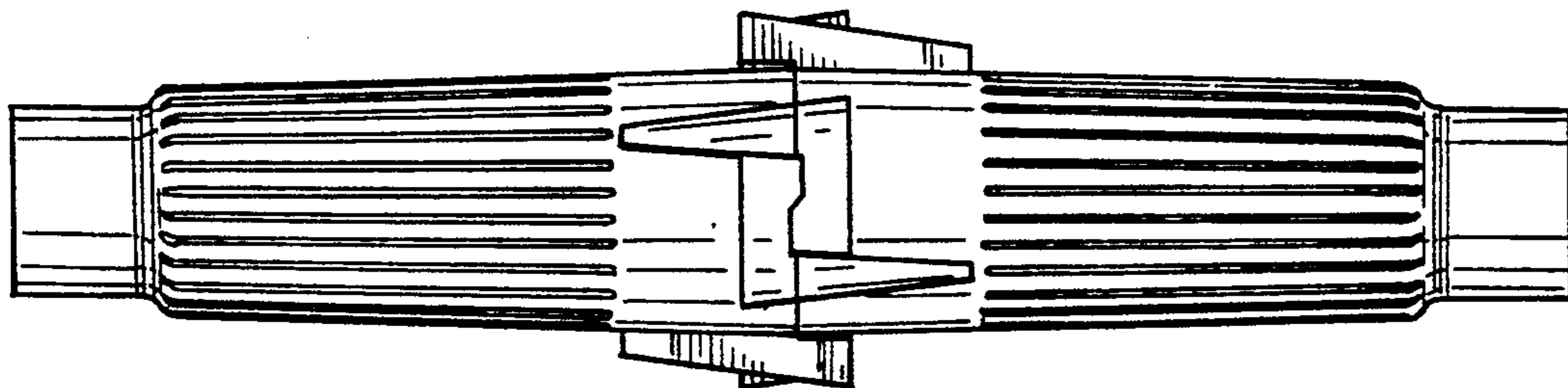


FIG. 4

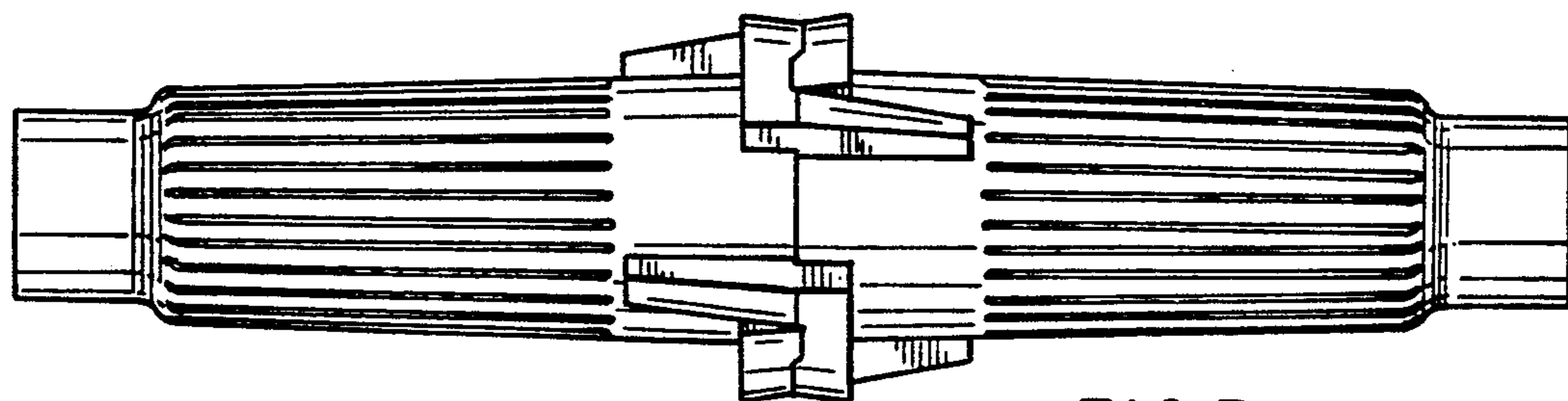


FIG. 5