



US00D326844S

United States Patent [19]
Bouteiller

[11] **Patent Number: Des. 326,844**
[45] **Date of Patent: ** Jun. 9, 1992**

[54] **CONTACTOR**

[75] **Inventor: Christian Bouteiller, Rueil
Malmaison, France**

[73] **Assignee: La Telemecanique Electrique, France**

[**] **Term: 14 Years**

[21] **Appl. No.: 589,478**

[22] **Filed: Sep. 27, 1990**

[56] **References Cited**

U.S. PATENT DOCUMENTS

D. 274,720	7/1984	Hannich et al.	D13/158
D. 296,433	6/1988	Mizuno et al.	D13/158
D. 298,485	11/1988	Bauer	D13/158
4,691,978	9/1988	Lemmer	200/51 R X
4,724,410	2/1988	Degenhart	335/132
4,774,484	9/1988	Lehman et al.	335/132 X
4,899,120	2/1990	Ohtake et al.	335/132

Primary Examiner—Brian N. Vinson
Attorney, Agent, or Firm—William A. Drucker

[57] **CLAIM**

The ornamental design for a contactor, as shown and described.

DESCRIPTION

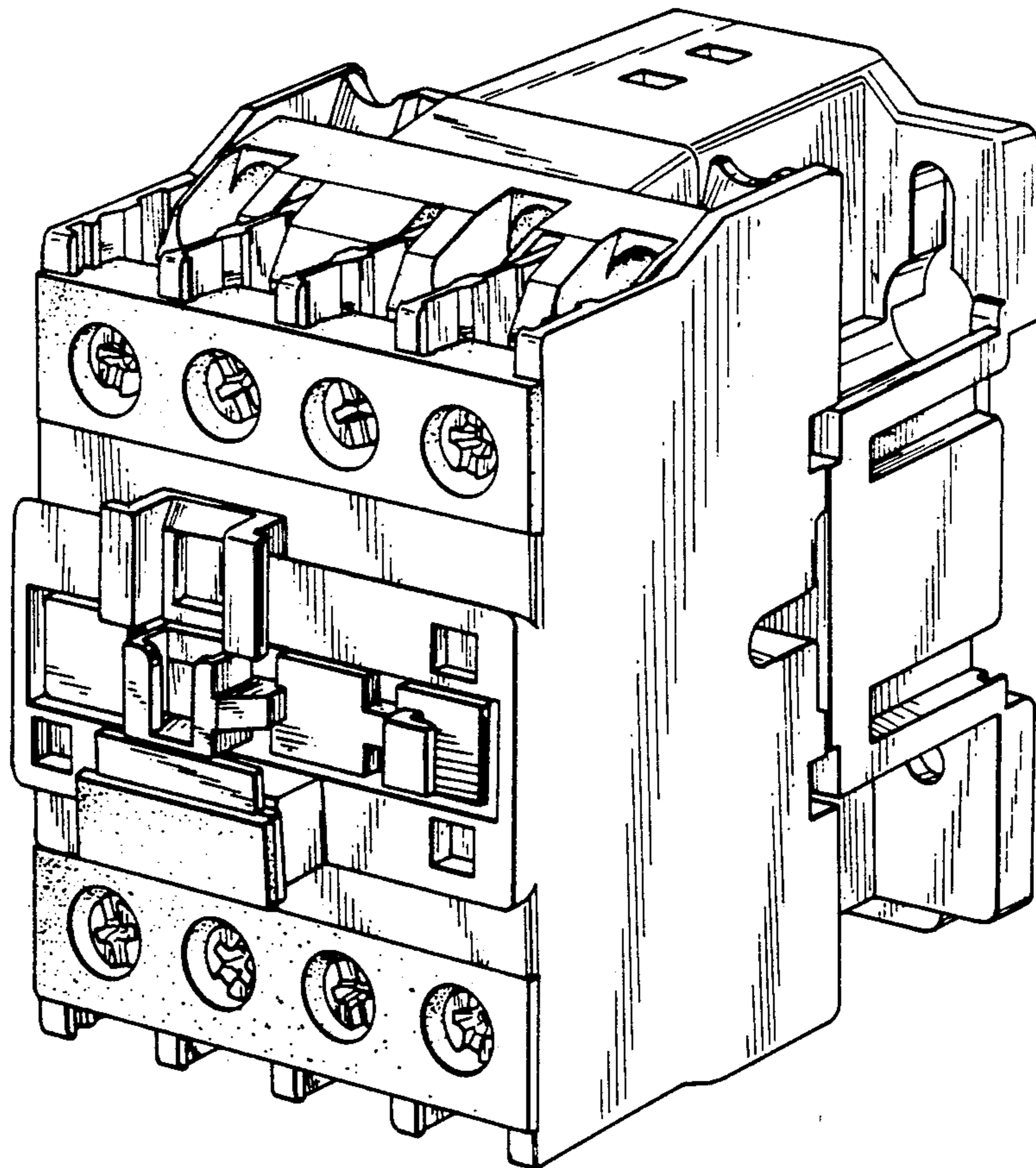
FIG. 1 is a front perspective view of a contactor showing my new design;
FIG. 2 is a top perspective view thereof, the bottom being a mirror image of that shown except for that portion visible in FIG. 5;
FIG. 3 is a left side elevational view thereof;
FIG. 4 is a right side elevational view thereof; and,
FIG. 5 is a reduced top, front, and right side perspective view thereof, the undisclosed rear being plain and unornamented.

Related U.S. Application Data

[62] Division of Ser. No. 272,656, Nov. 17, 1988, Pat. No. Des. 321,169.

[30] **Foreign Application Priority Data**

May 20, 1988 [FR] France 883320
[52] **U.S. Cl.** **D13/158**
[58] **Field of Search** D13/158, 160, 173, 178;
335/133-134, 135, 106; 200/293-294



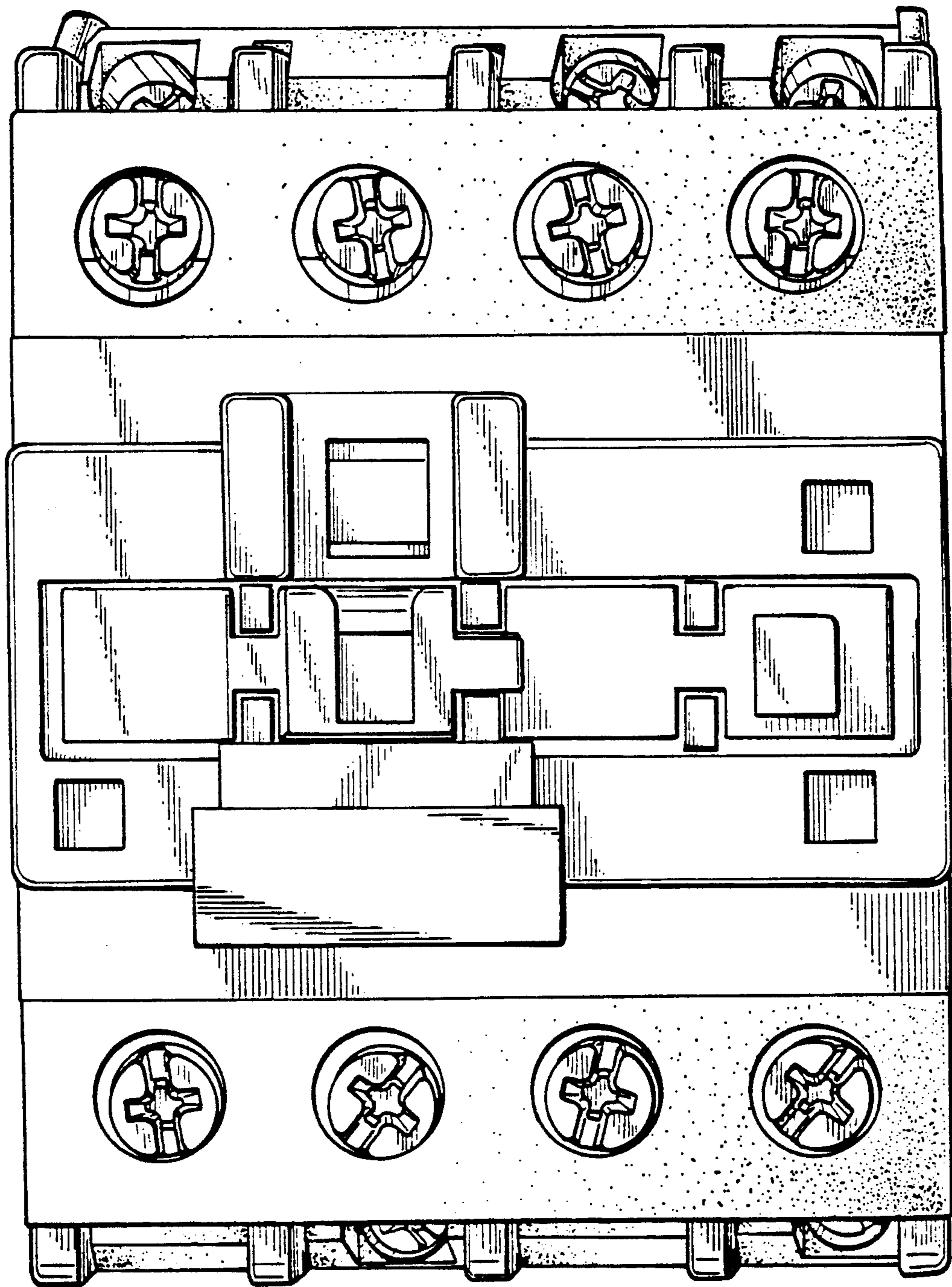


FIG. 1

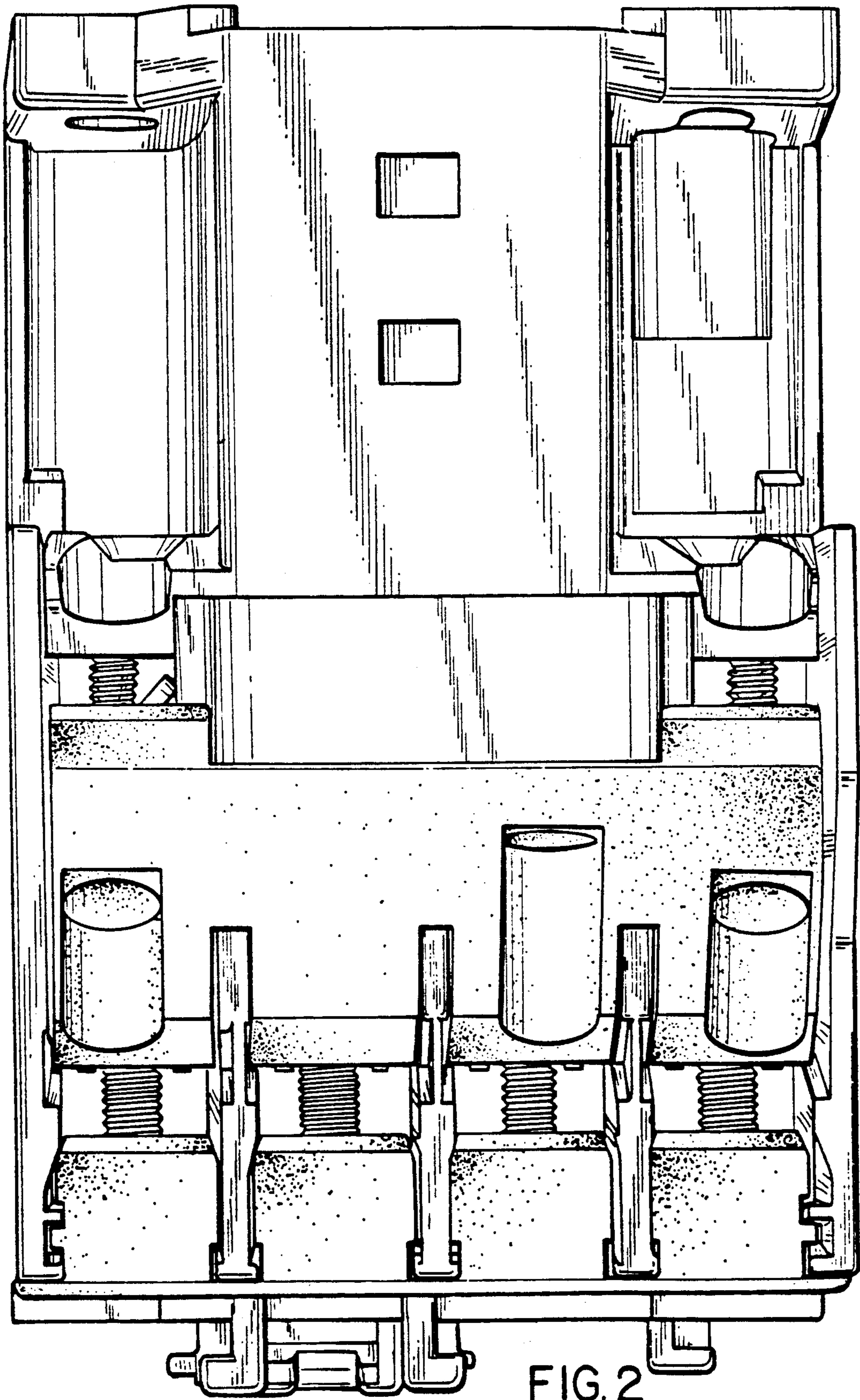


FIG. 2

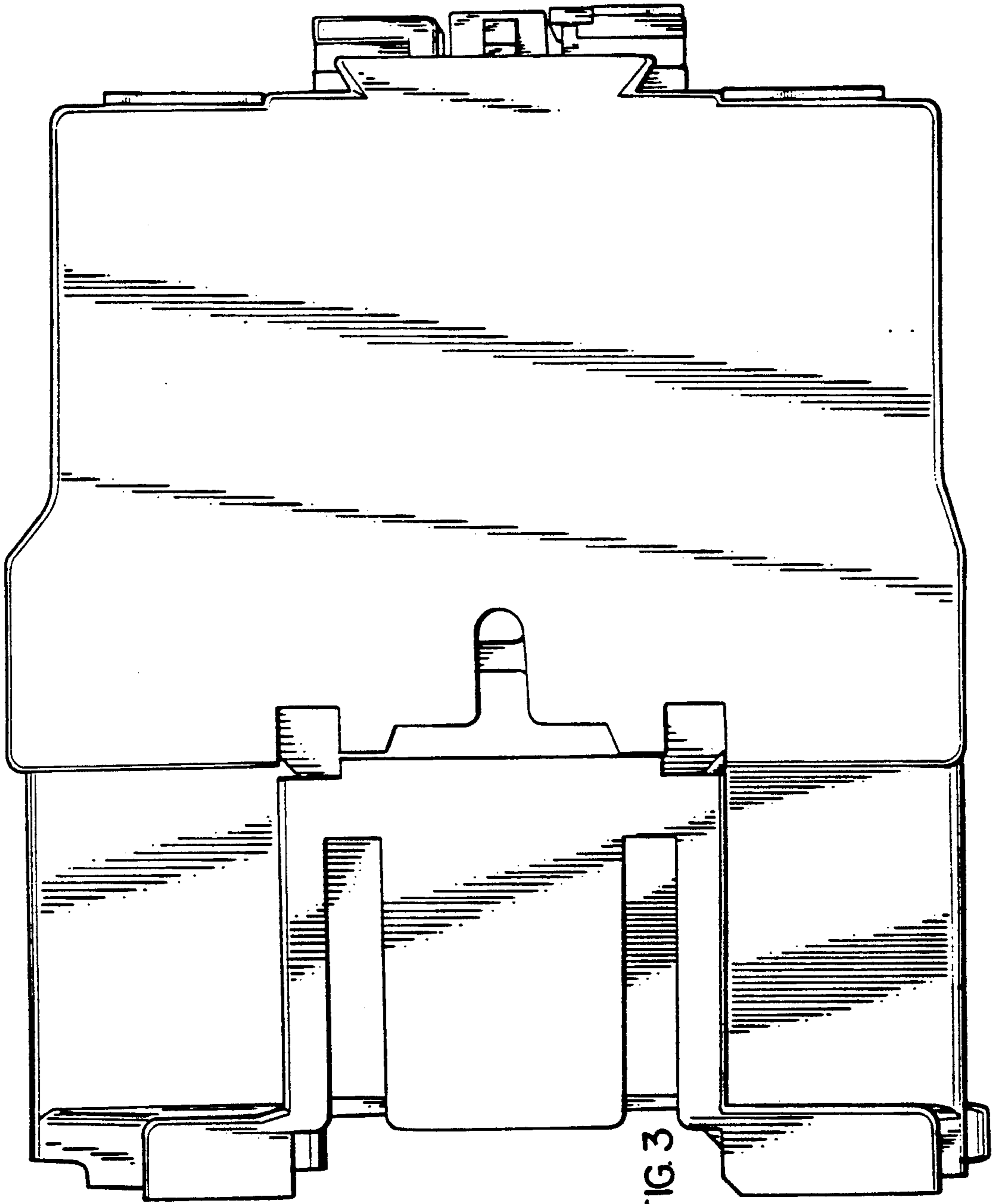
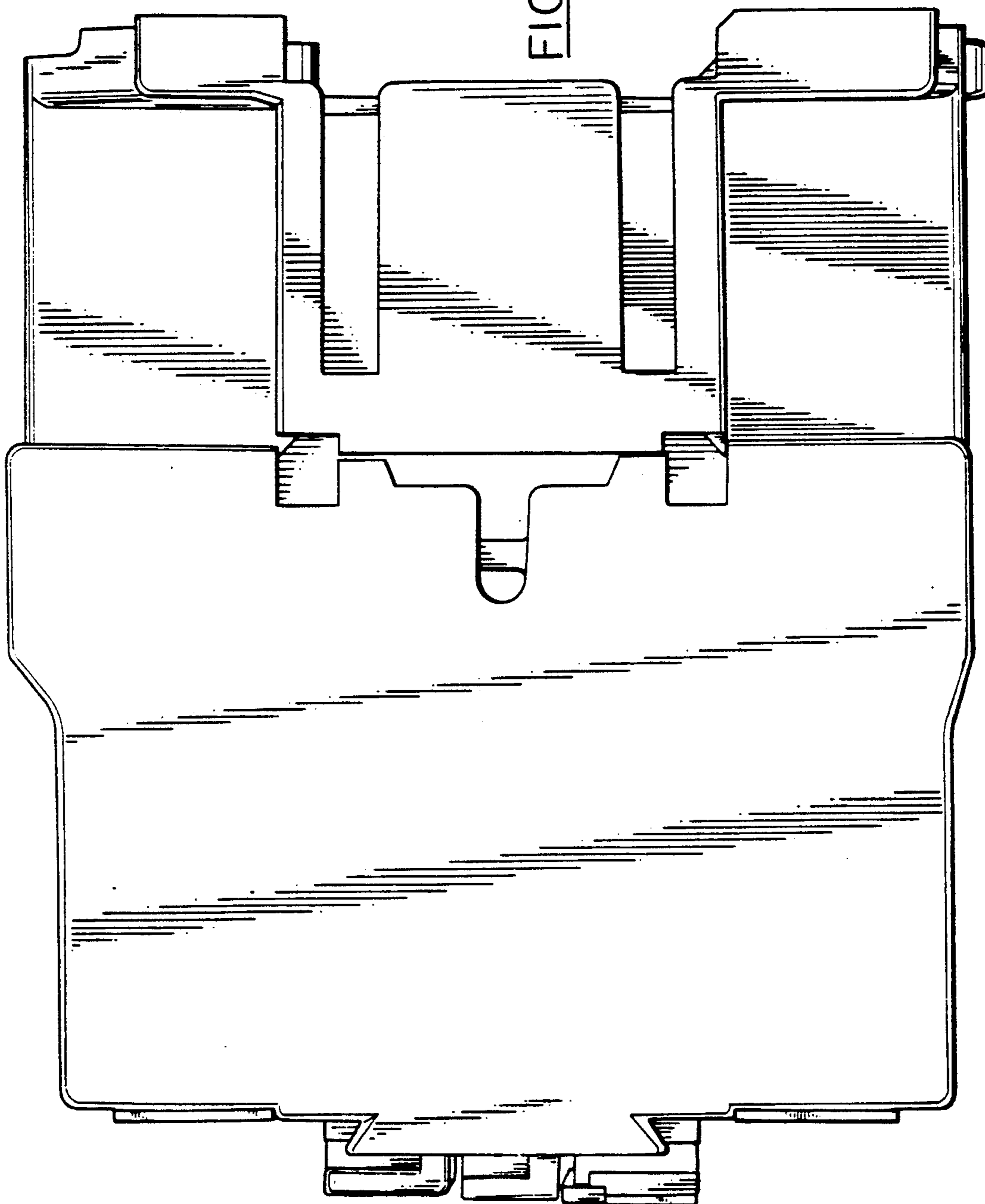


FIG. 3

FIG. 4



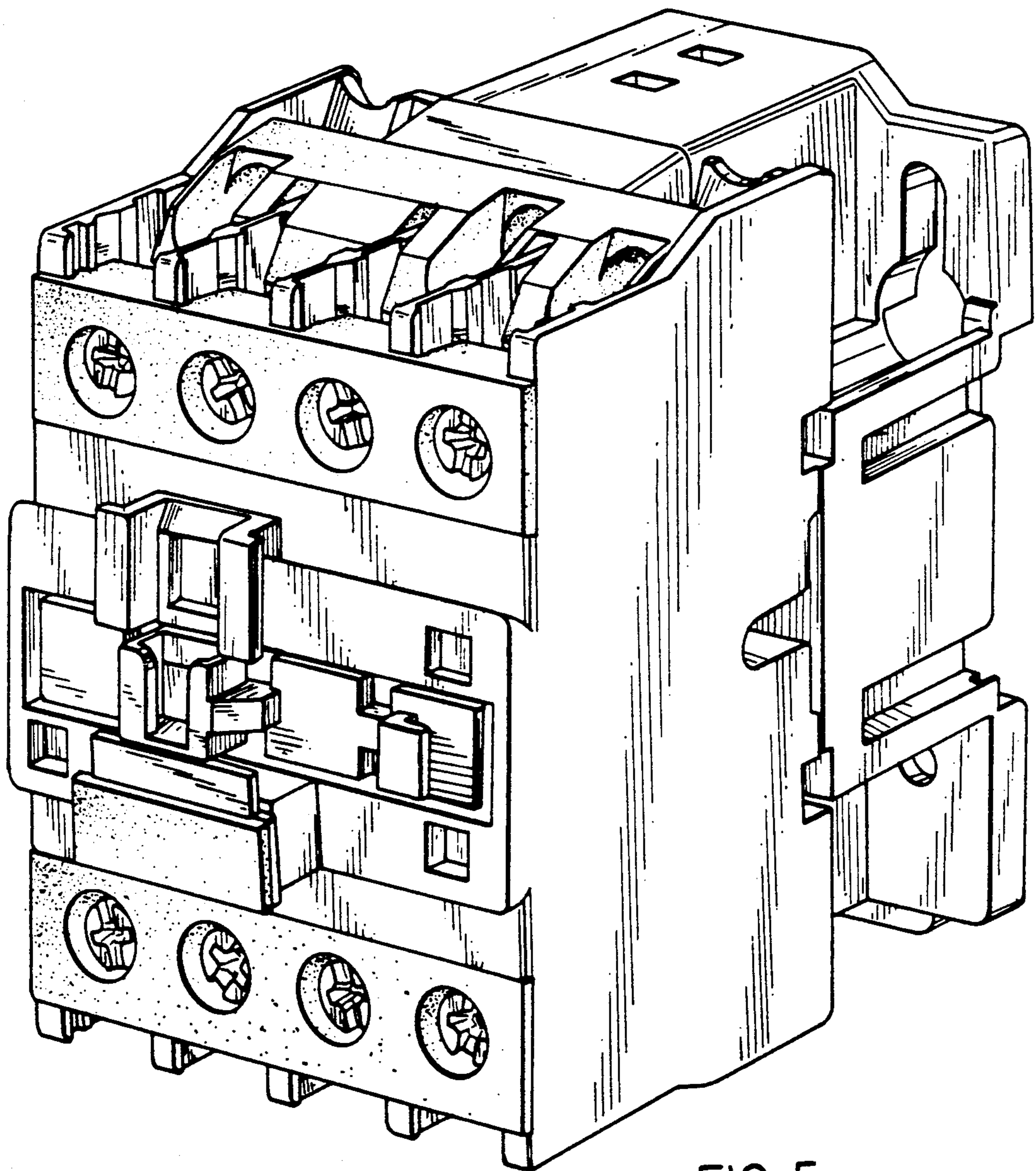


FIG. 5