



US00D326818S

United States Patent [19]

[11] Patent Number: **Des. 326,818**

Maquire et al.

[45] Date of Patent: **** Jun. 9, 1992**

[54] **POURING SPOUT**

[76] Inventors: **Paul R. Maquire**, 4284 Sea View La., Los Angeles, Calif. 90065; **John M. Lown**, 222 La Jolla La., Newport Beach, Calif. 92663

[**] Term: **14 Years**

[21] Appl. No.: **538,178**

[22] Filed: **Jun. 14, 1990**

[52] U.S. Cl. **D9/447; D9/435**

[58] Field of Search **D9/434, 435, 447, 437; 222/89-91, 108, 207, 531, 537, 566, 570, 571, 548; 215/1 A, 4, 100 A, 229, 235, 250, 253, 258, 306; 220/252, 288, 855 P**

[56] **References Cited**

U.S. PATENT DOCUMENTS

- D. 217,233 4/1970 Stahl D9/437
- D. 218,154 7/1970 Campbell D9/437

- D. 277,827 3/1985 Olsson D9/447
- D. 318,233 7/1991 Ackerman D9/434 X
- 2,007,449 7/1935 Kernodle et al. 222/90
- 3,002,657 10/1961 Kiljemack 222/89
- 3,047,195 7/1962 Richmond 222/570

Primary Examiner—Bernard Ansher
Assistant Examiner—Dominic Simone
Attorney, Agent, or Firm—Harold L. Jackson

[57] **CLAIM**

The ornamental design for a pouring spout, as shown and described.

DESCRIPTION

FIG. 1 is a top plan view of a pouring spout showing our new design;
FIG. 2 is a left side elevational view thereof;
FIG. 3 is a right side elevational view thereof;
FIG. 4 is a front elevational view thereof;
FIG. 5 is a rear elevational view thereof; and,
FIG. 6 is a bottom plan view thereof.

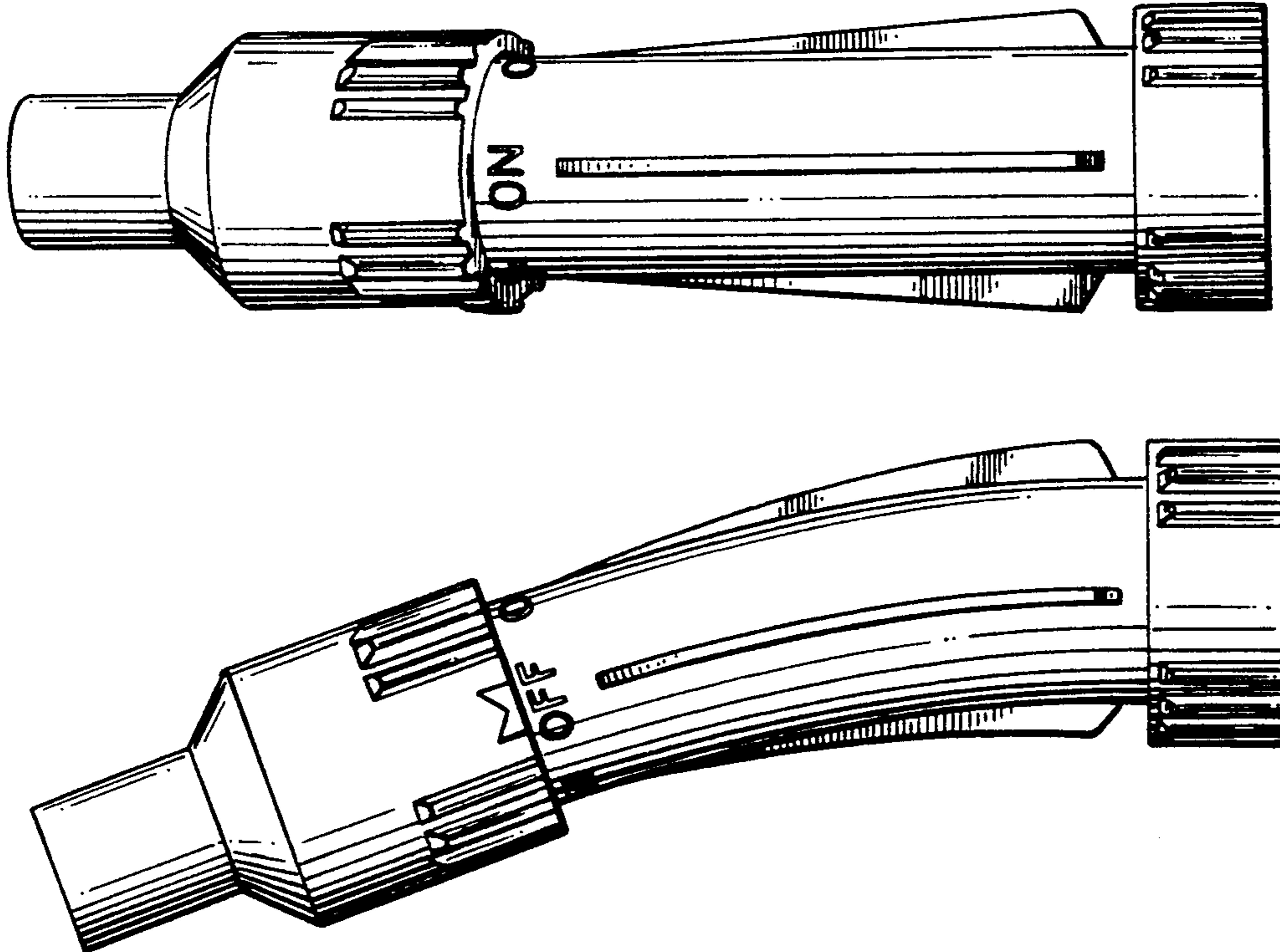


FIG. 1

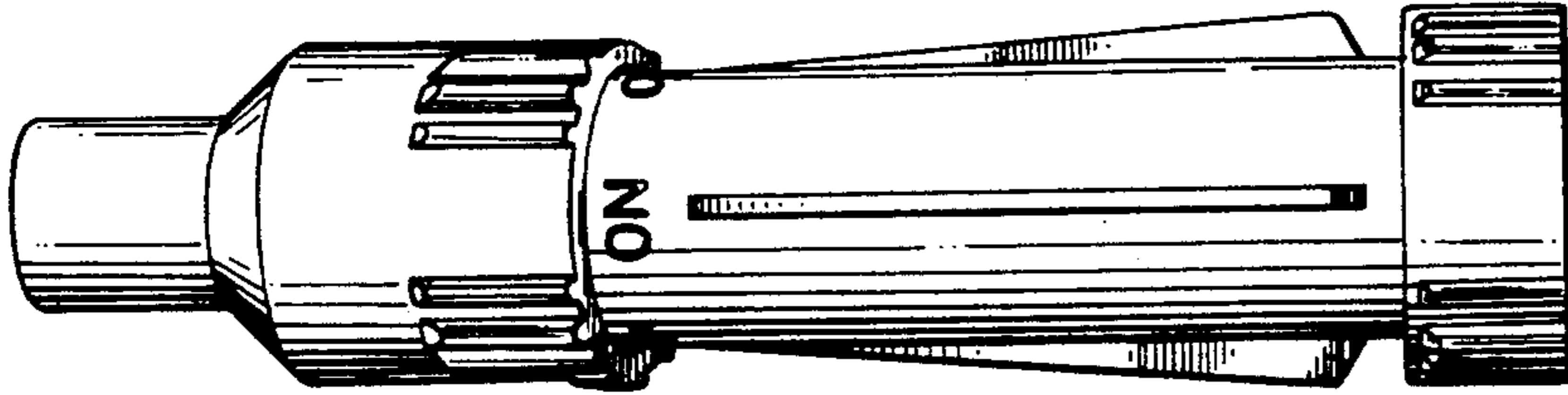


FIG. 2

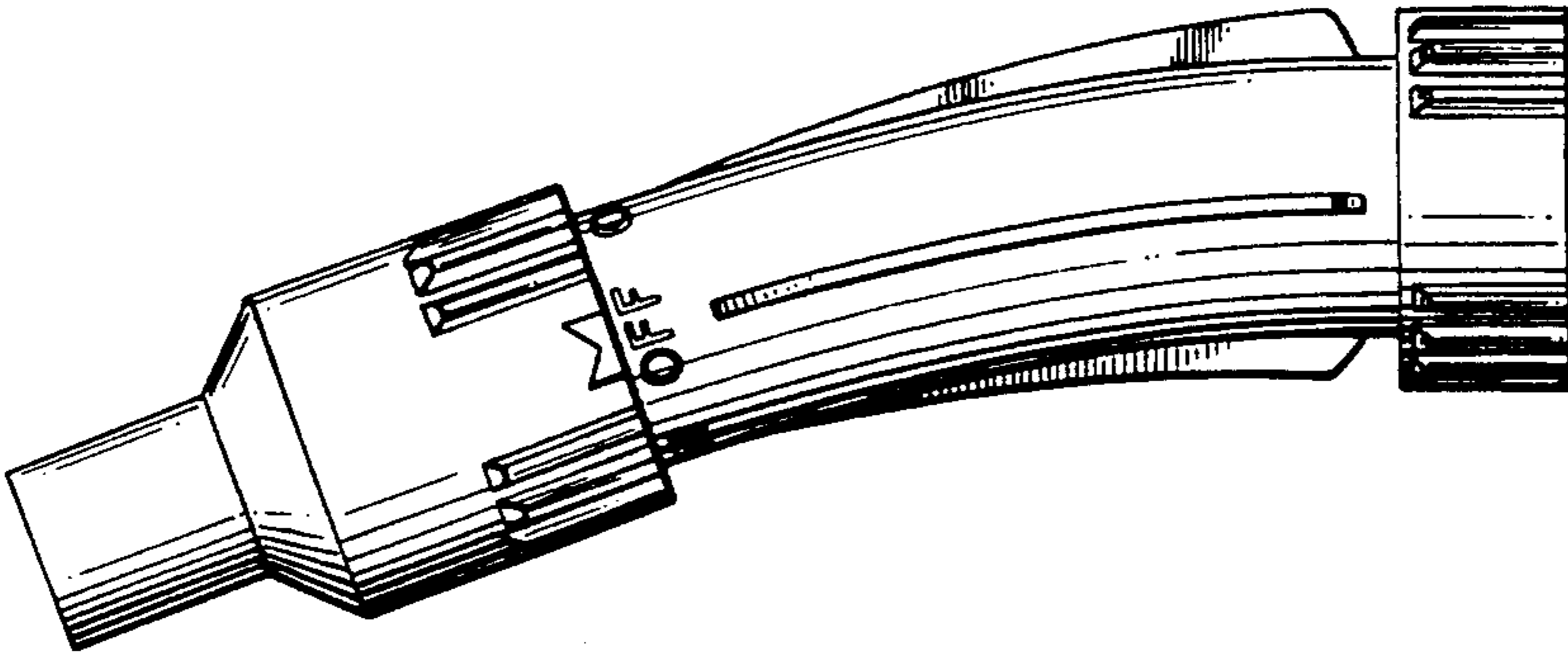


FIG. 4

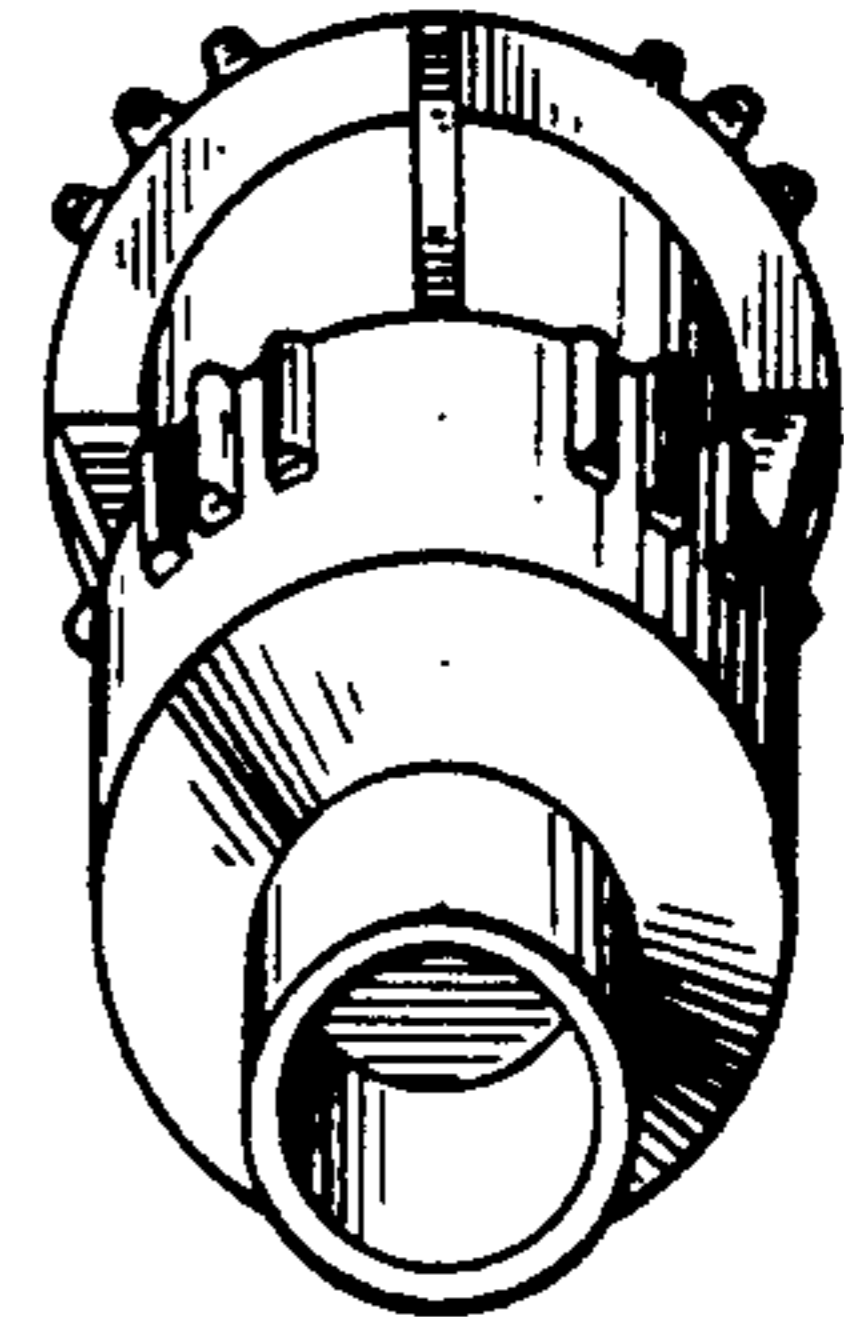


FIG. 3

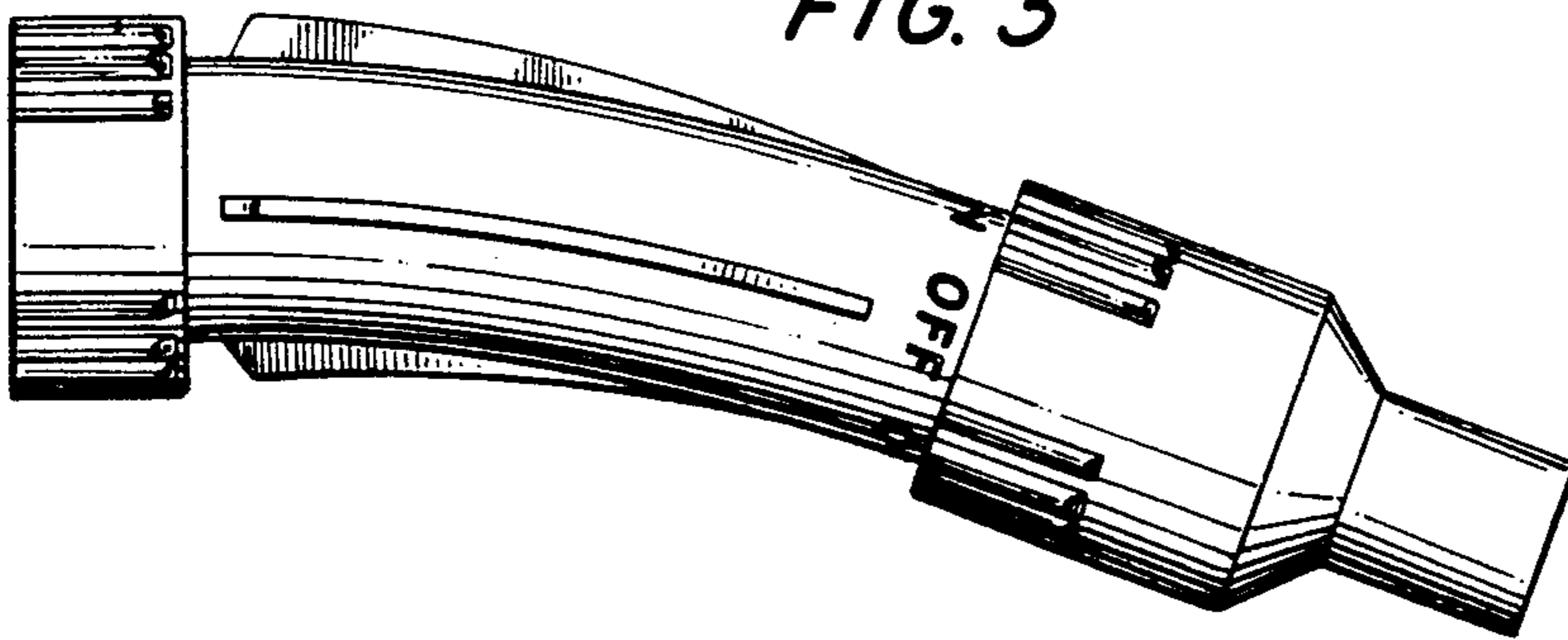


FIG. 5

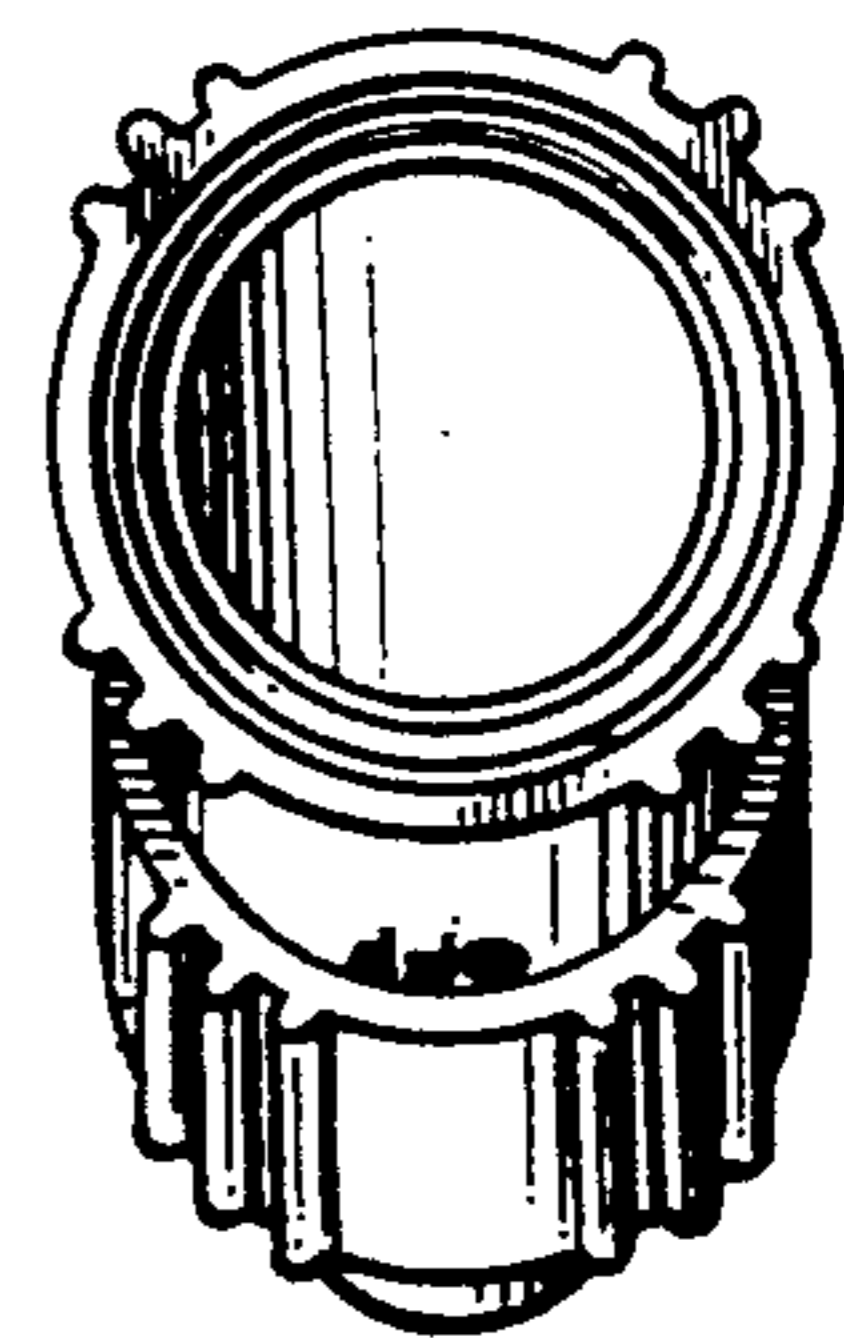


FIG. 6

