



US00D326816S

United States Patent [19]

Abrams

[11] Patent Number: **Des. 326,816**

[45] Date of Patent: **** Jun. 9, 1992**

[54] **COMBINED DISPENSING SEALING CLOSURE AND CAP FOR BOTTLES**

[75] Inventor: **Harold Abrams, Côte St. Luc, Canada**

[73] Assignee: **Murray Sales Inc., St Laurent, Canada**

[**] Term: **14 Years**

[21] Appl. No.: **523,940**

[22] Filed: **May 16, 1990**

[52] U.S. Cl. **D9/435; D9/445; D9/447**

[58] Field of Search **D9/434, 447, 445; D7/700; 222/89-91, 566, 207, 570, 571, 531, 537, 548, 108; 215/1 A, 4, 100 A, 229, 235, 250, 253, 258, 306; D28/85**

[56] **References Cited**

U.S. PATENT DOCUMENTS

- D. 167,202 7/1952 Gegan D9/447
- D. 282,301 1/1986 Holloway D28/85
- D. 319,190 8/1991 Wilding D9/434 X
- 850,465 4/1907 Cavalier 222/89

- 2,099,322 11/1937 Wiswell 222/89
- 2,179,280 11/1939 Cary 222/89
- 2,585,801 2/1952 Lieuwen 222/90
- 2,678,142 5/1954 Creed D9/447 X
- 4,706,829 11/1987 Li 222/571 X
- 4,795,065 1/1989 Ashizawa D9/447 X

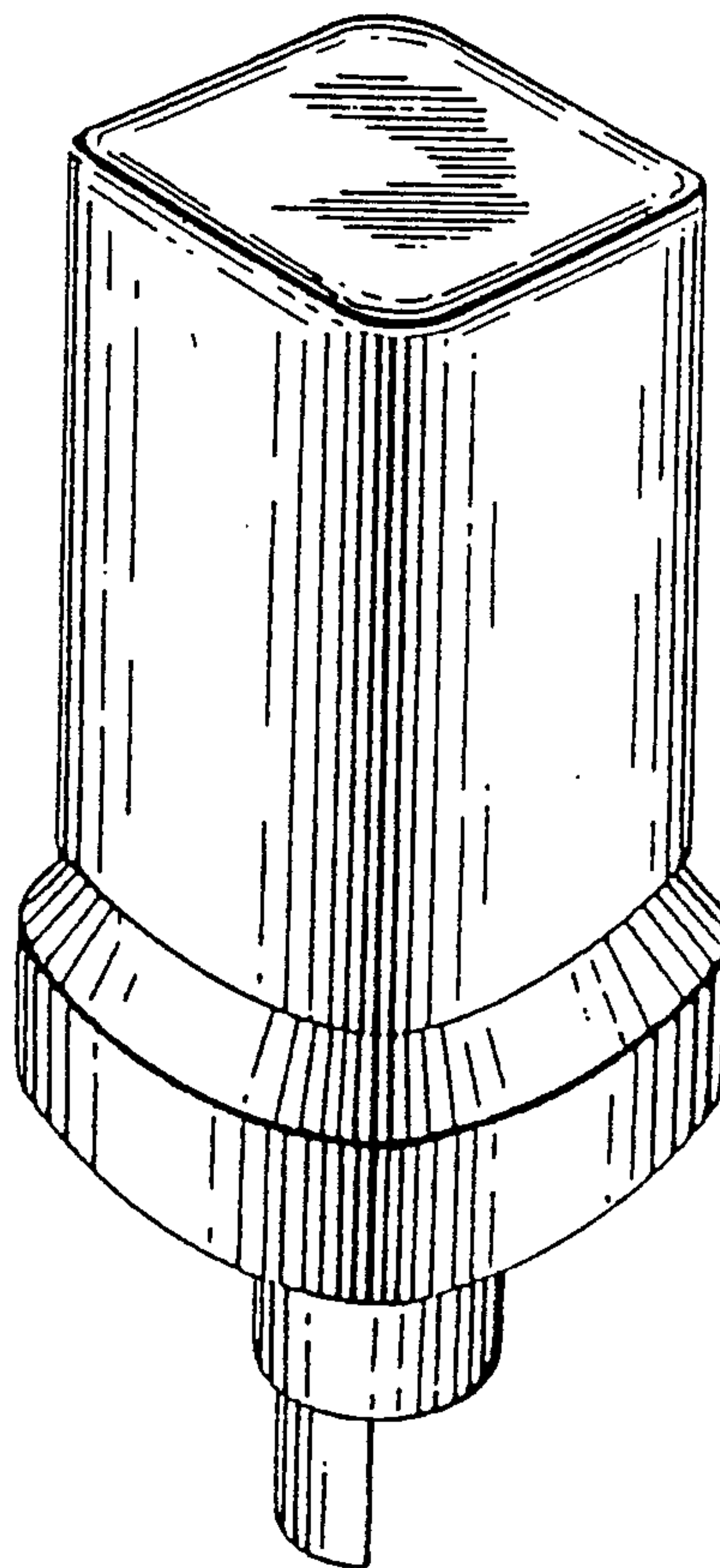
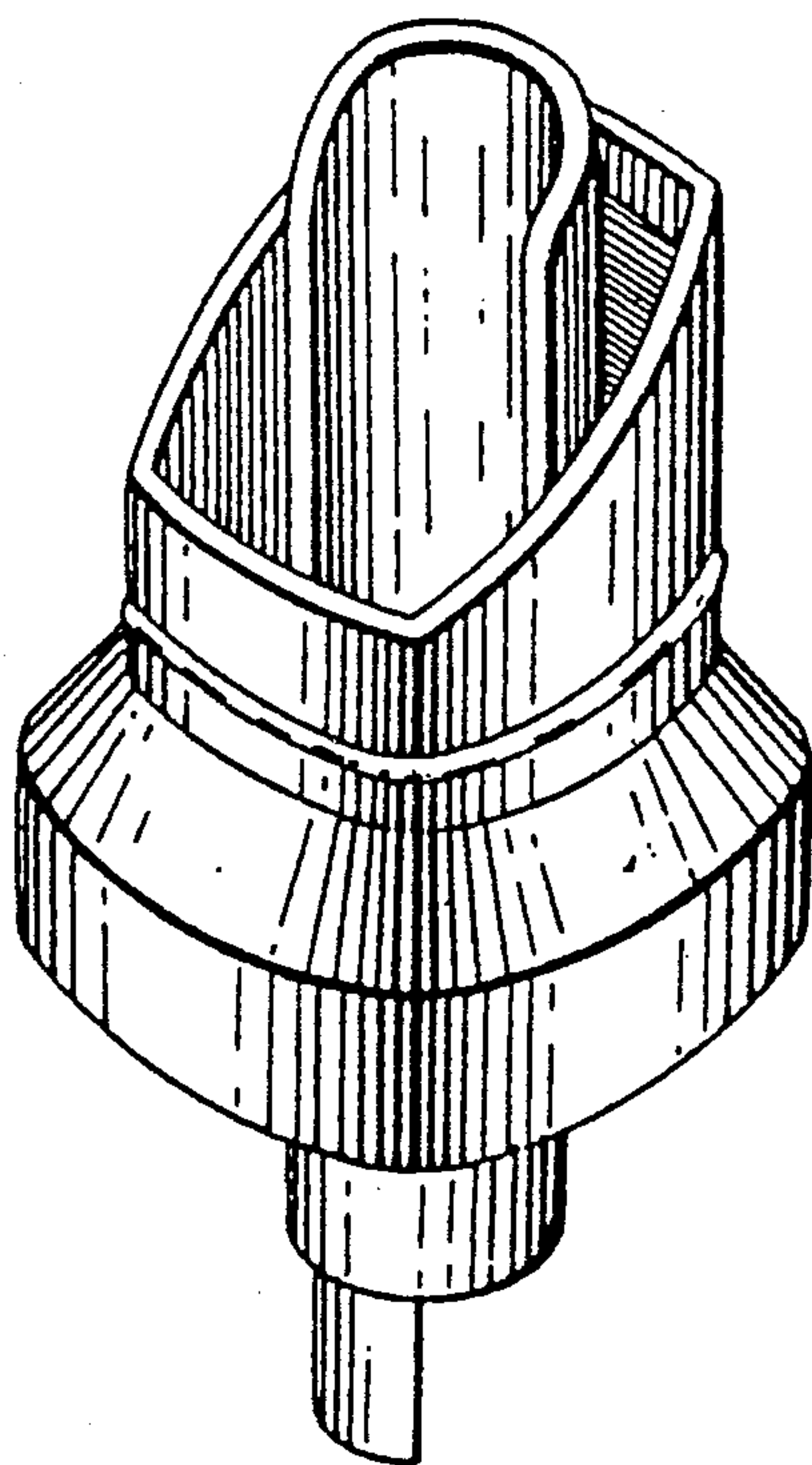
Primary Examiner—Bernard Ansher
Assistant Examiner—Dominic Simone
Attorney, Agent, or Firm—Robic

[57] **CLAIM**

The ornamental design for a combined dispensing sealing closure and cap for bottles, as shown and described.

DESCRIPTION

FIG. 1 is a perspective view of a combined dispensing sealing closure and cap for bottles showing my new design;
FIG. 2 is a left side elevational view thereof;
FIG. 3 is a right side elevational view thereof;
FIG. 4 is a front side elevational view thereof;
FIG. 5 is a rear elevational view thereof;
FIG. 6 is a top plan view thereof;
FIG. 7 is a bottom plan view thereof; and,
FIG. 8 is a perspective view thereof, similar to FIG. 1, with a cap mounted onto the cork.



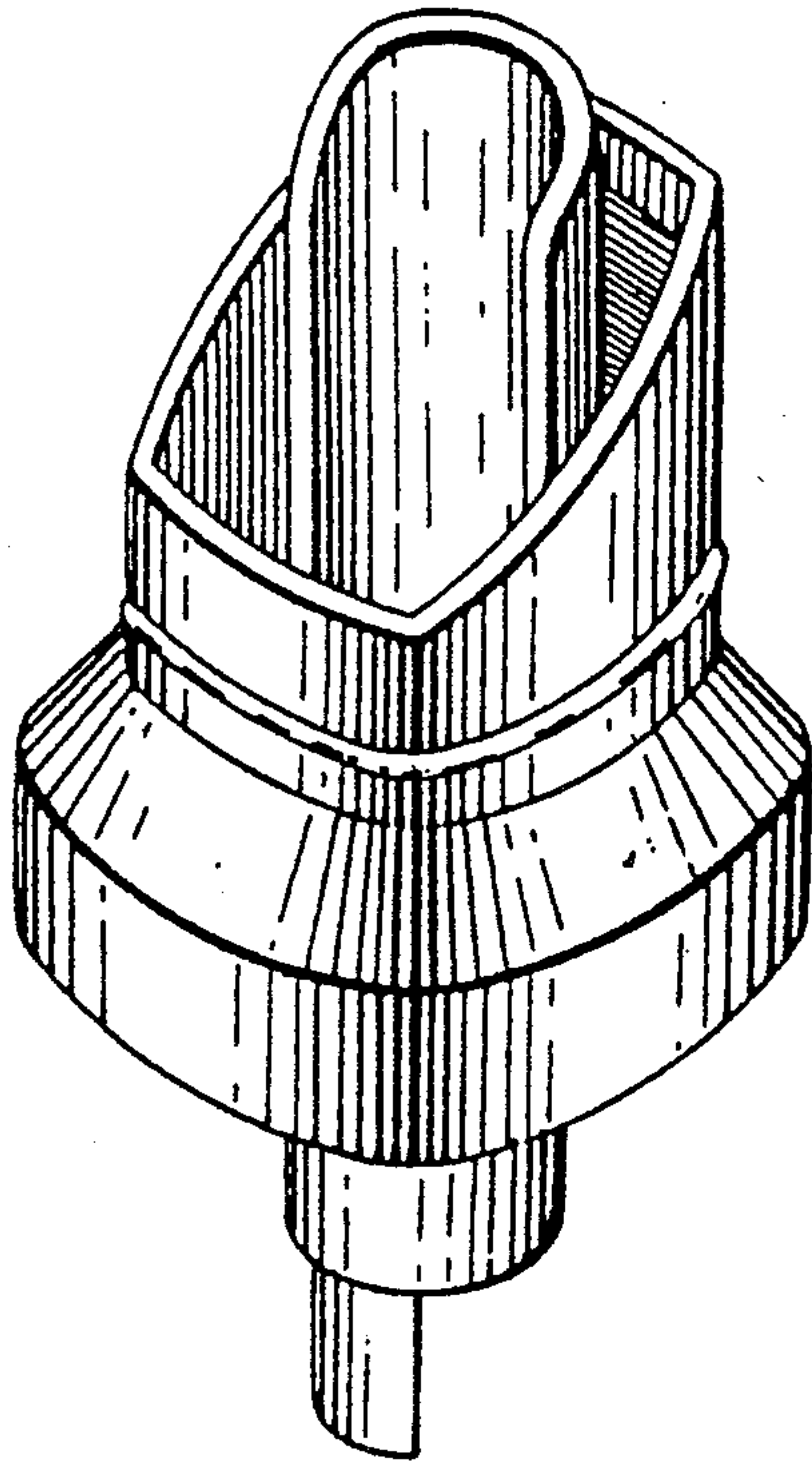


FIG. 1

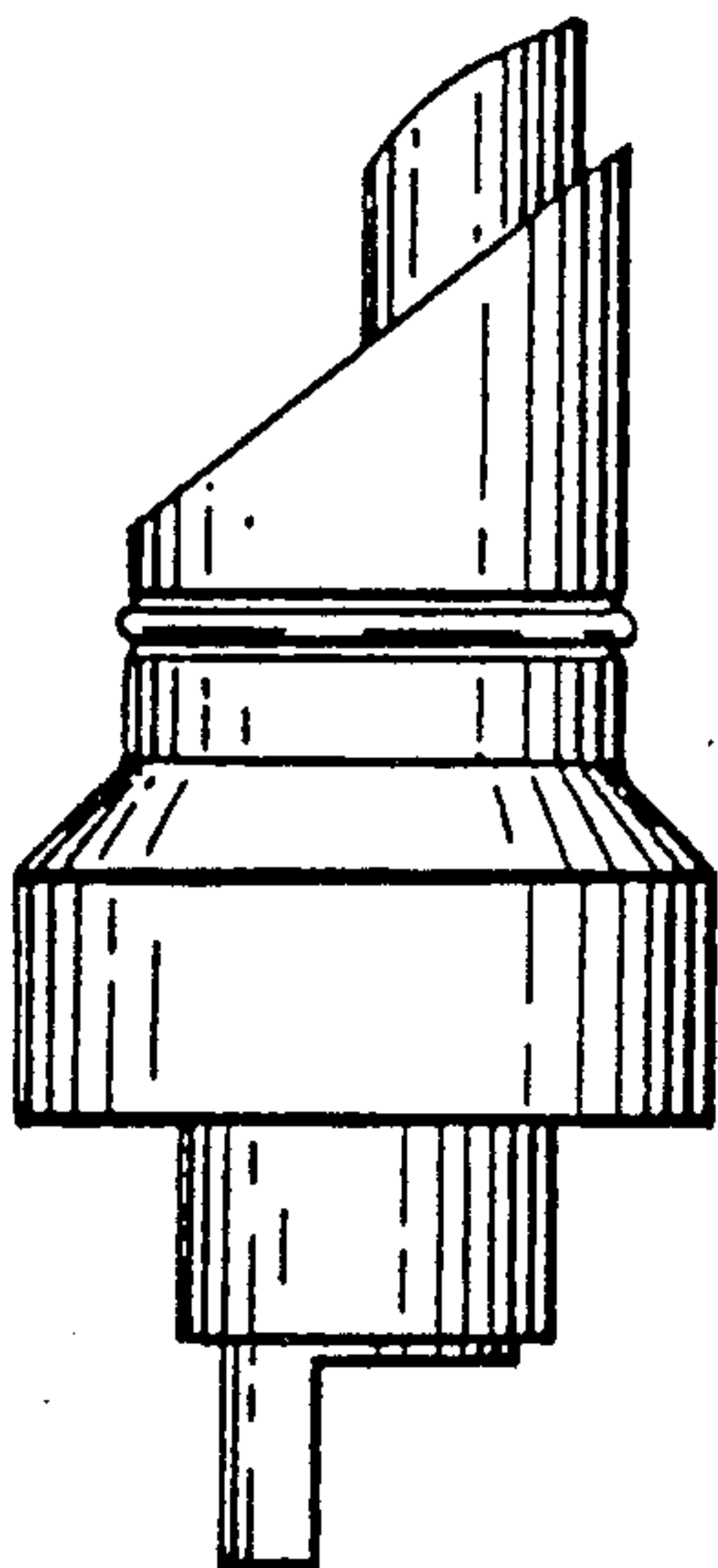


FIG. 2

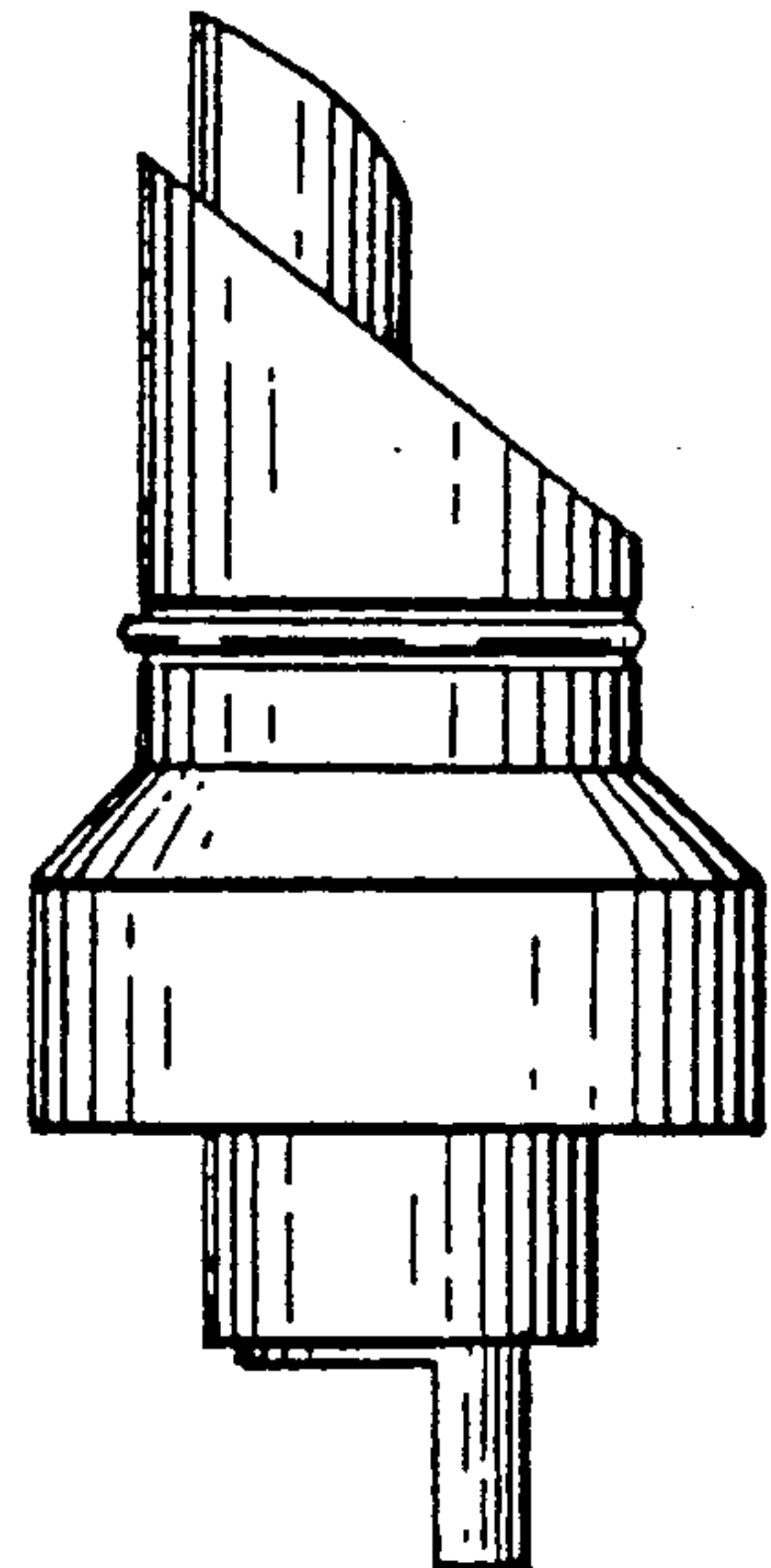


FIG. 3

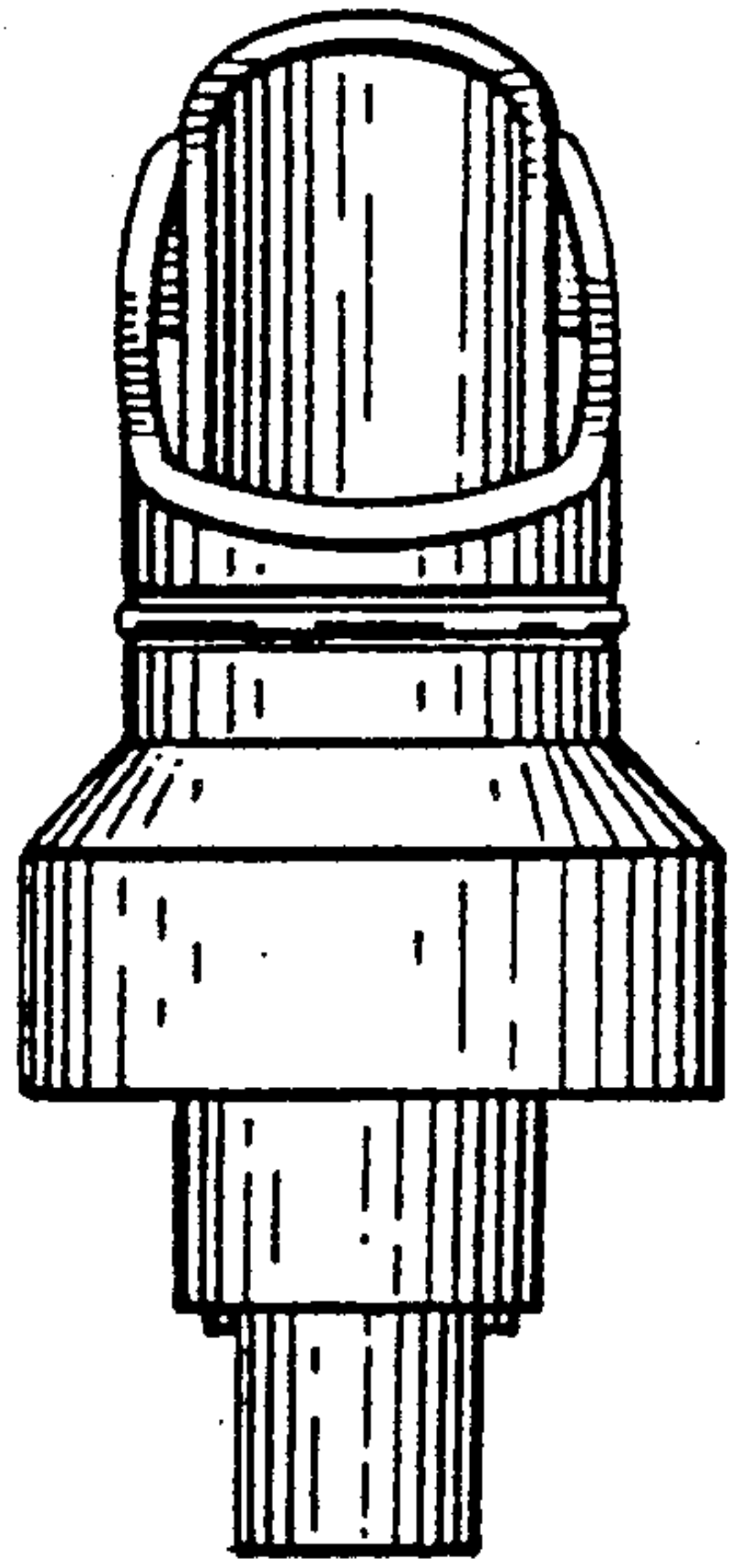


FIG. 4

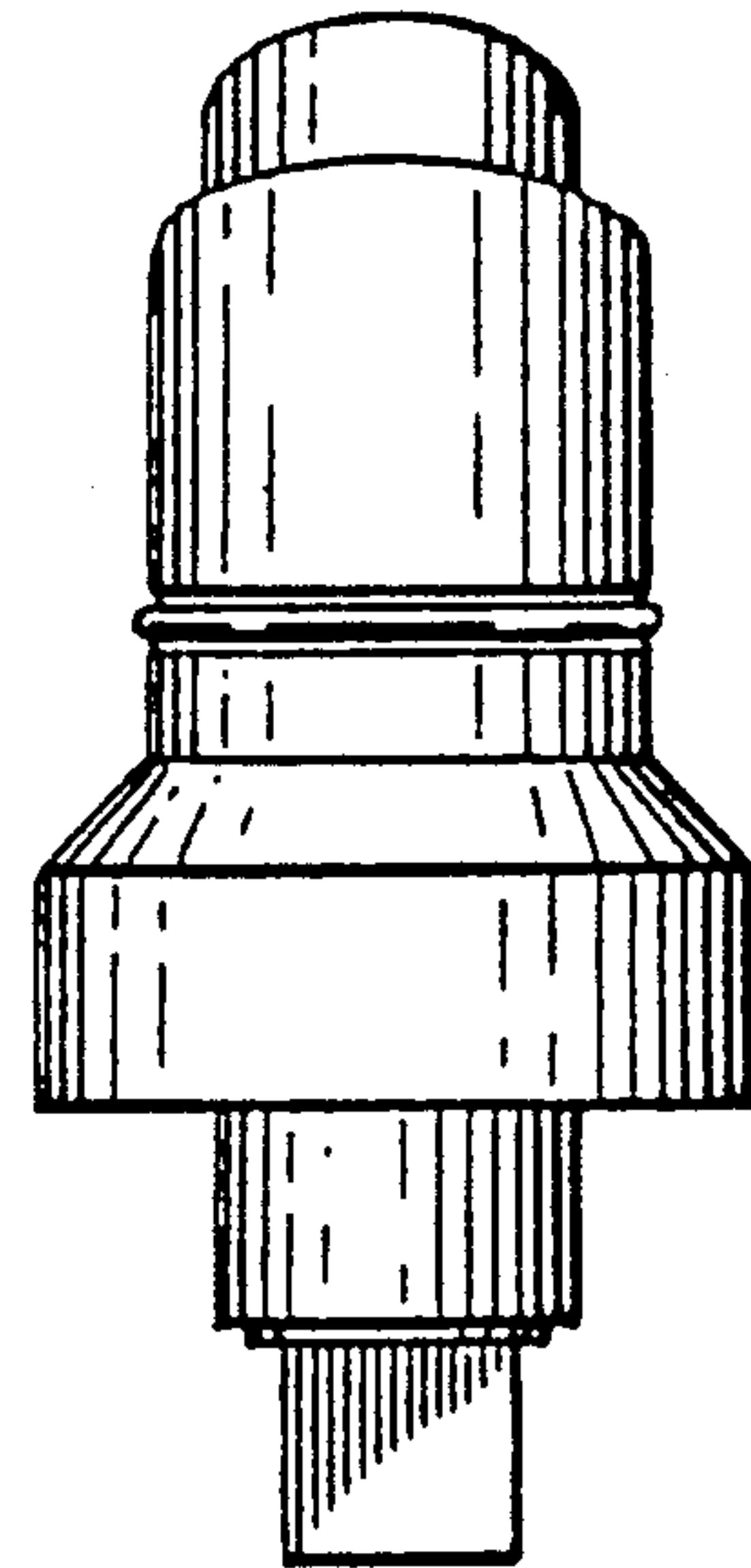


FIG. 5

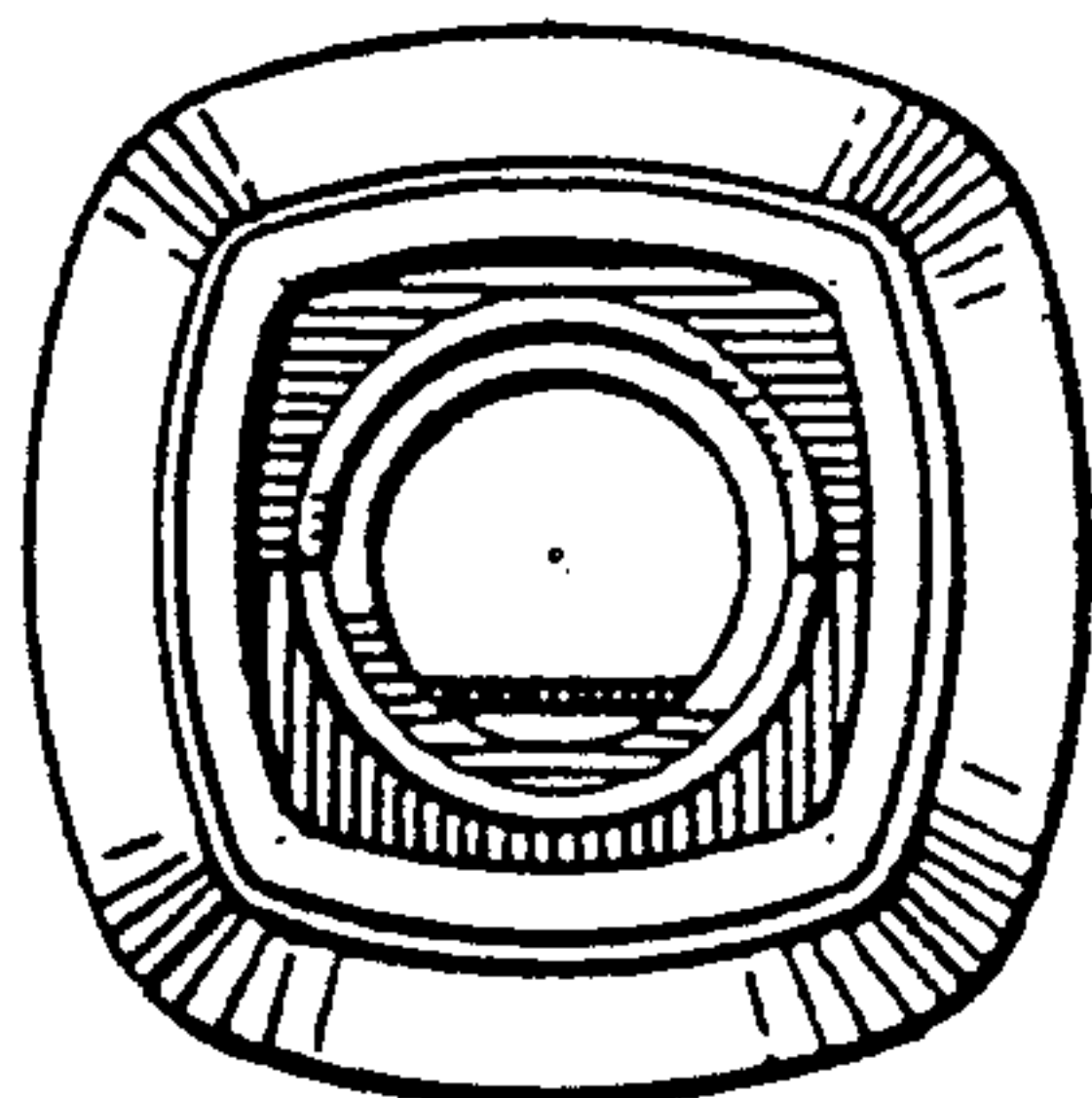


FIG. 6

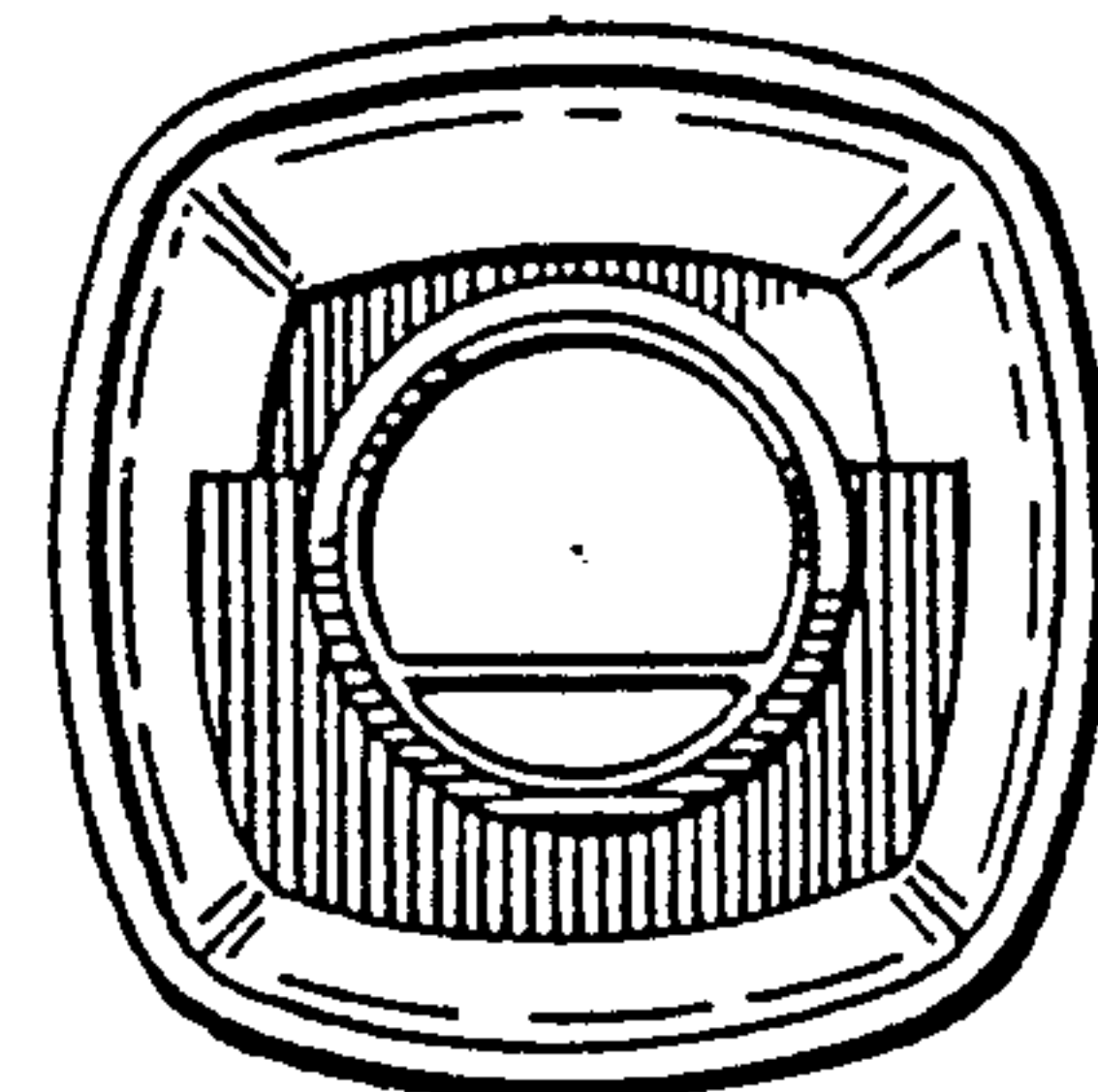


FIG. 7

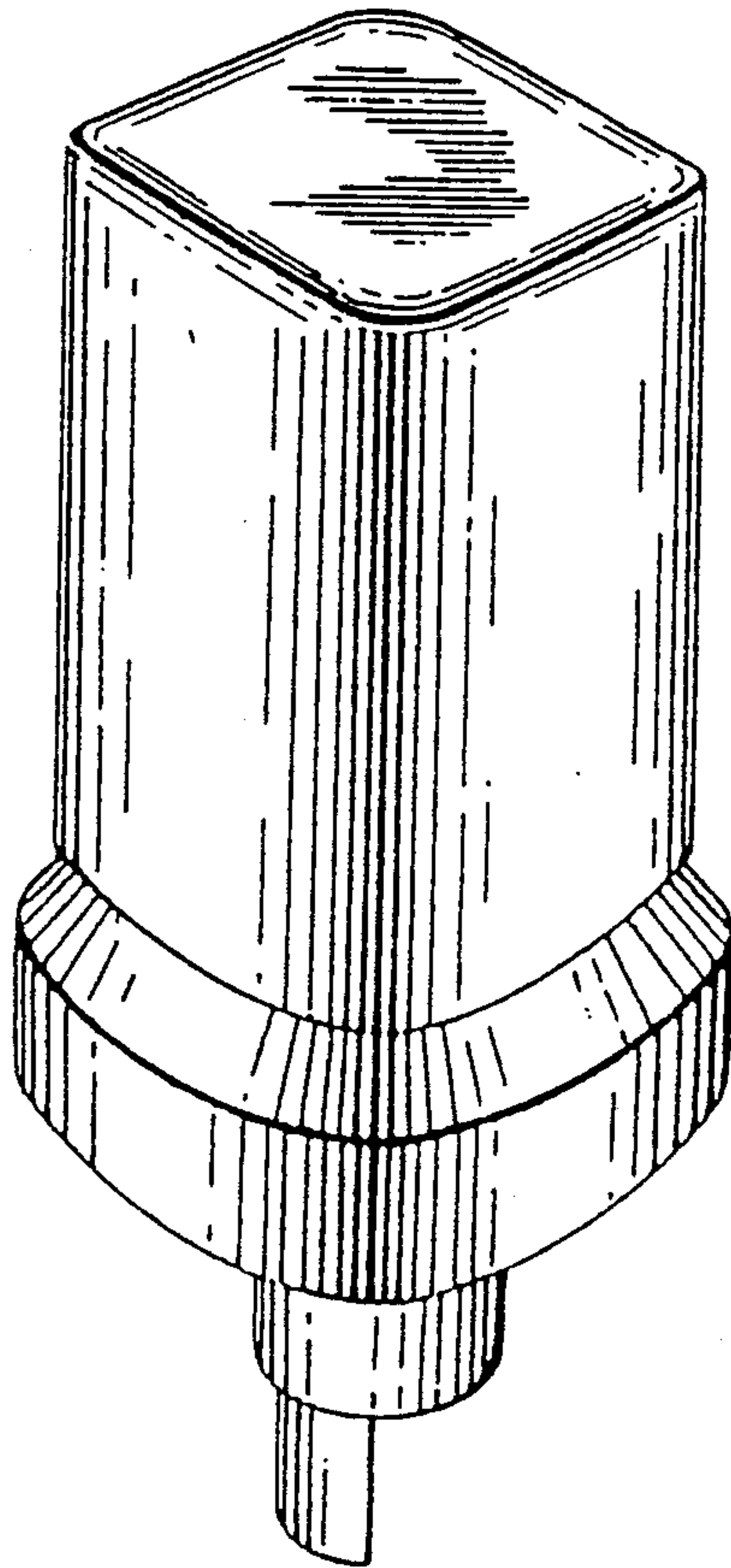


FIG. 8