



US00D326810S

United States Patent [19]

[11] Patent Number: **Des. 326,810**

Ives

[45] Date of Patent: **** Jun. 9, 1992**

[54] CONTAINER FOR CONTACT LENS

4,149,650 4/1979 Welchel et al. 206/529 X
4,164,529 8/1979 Harned 220/529 X

[75] Inventor: **Ray C. Ives, Dallas, Tex.**

[73] Assignee: **Ives, Ideas, Inc., Dallas, Tex.**

[**] Term: **14 Years**

Primary Examiner—Bernard Ansher
Assistant Examiner—Prabhakar Deshmukh
Attorney, Agent, or Firm—Timmons & Kelly

[21] Appl. No.: **473,690**

[57] **CLAIM**

The ornamental design for a container for contact lens, as shown and described.

[22] Filed: **Feb. 2, 1990**

[52] U.S. Cl. **D9/341**

[58] Field of Search **D9/341-348,**
D9/430, 414; 206/5.1, 538, 539; 220/500, 510,
512, 528, 529, 555; 134/901, 84, 89, 92, 135;
D3/34

DESCRIPTION

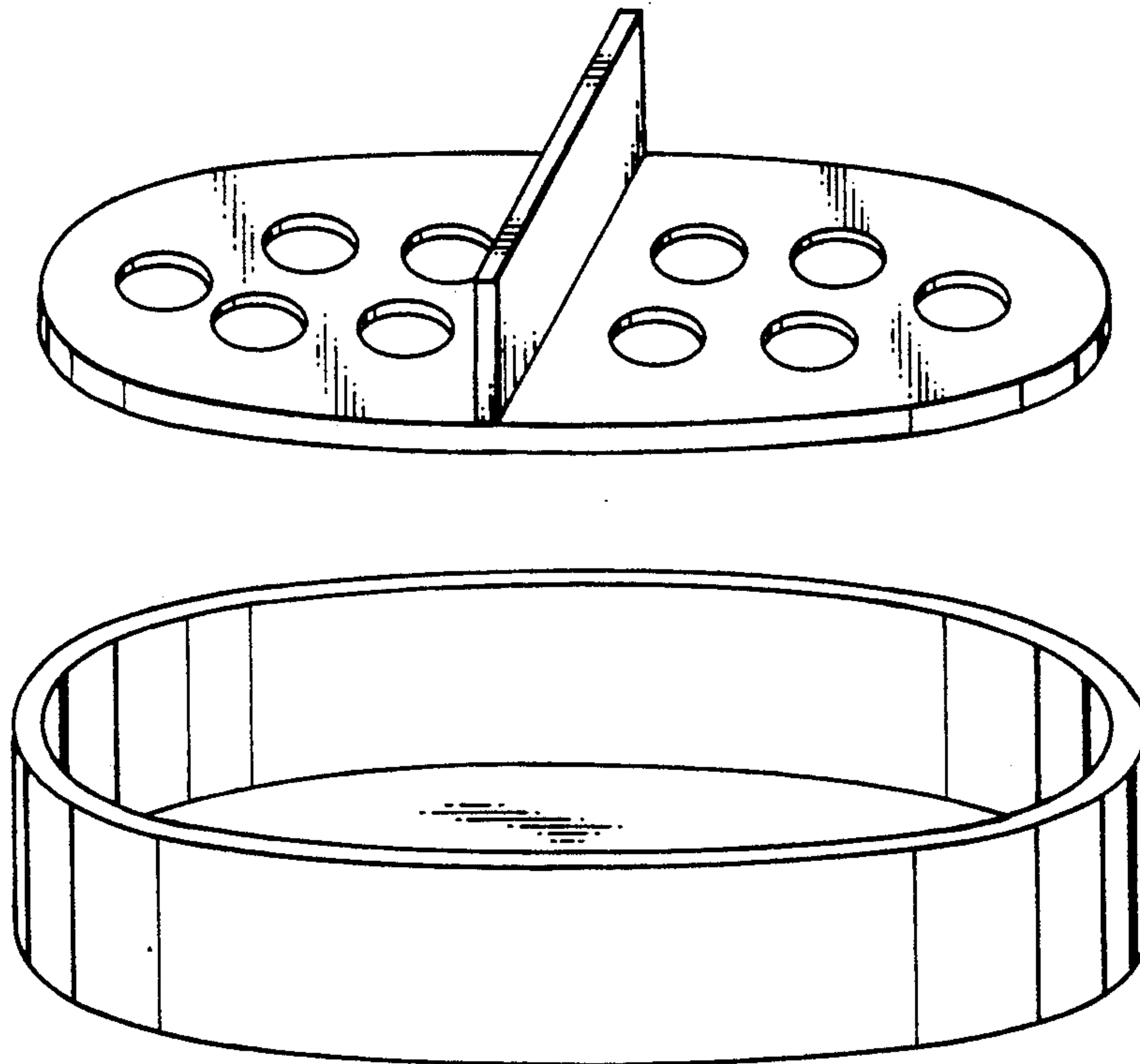
FIG. 1 is a perspective view of a container for contact lens showing my new design;
FIG. 2 is a top plan view thereof;
FIG. 3 is a front elevation thereof; the rear elevation being a mirror image thereof;
FIG. 4 is a right side elevation thereof the left side elevation being a mirror image thereof;
FIG. 5 is an exploded perspective view thereof; and,
FIG. 6 is a sectional elevation taken along line 6—6 of FIG. 2.

The bottom surface is plain and unornamented.

[56] **References Cited**

U.S. PATENT DOCUMENTS

D. 55,023 5/1920 Blood D34/44
D. 289,923 5/1987 Hoogesteger D3/34 X
2,944,661 7/1960 Goldstein 206/5.1
3,880,278 4/1975 Brown 134/901 X



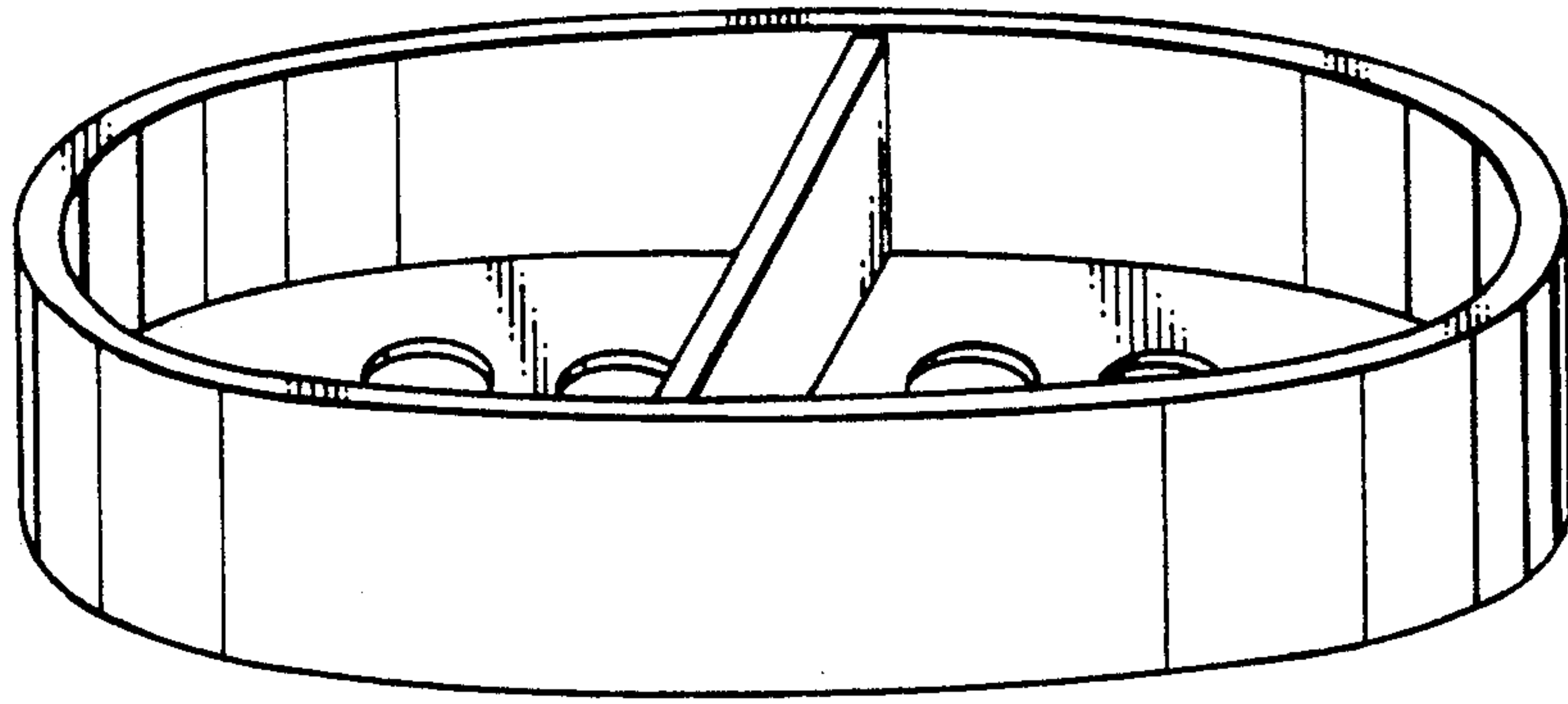


Fig. 1

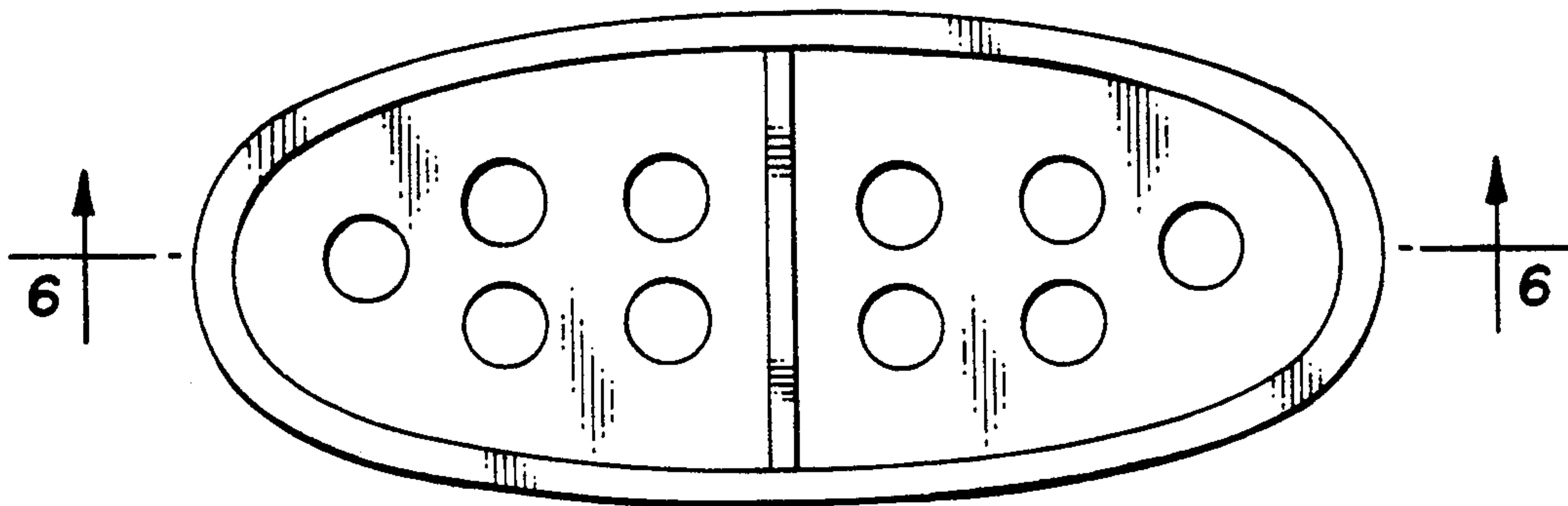


Fig. 2

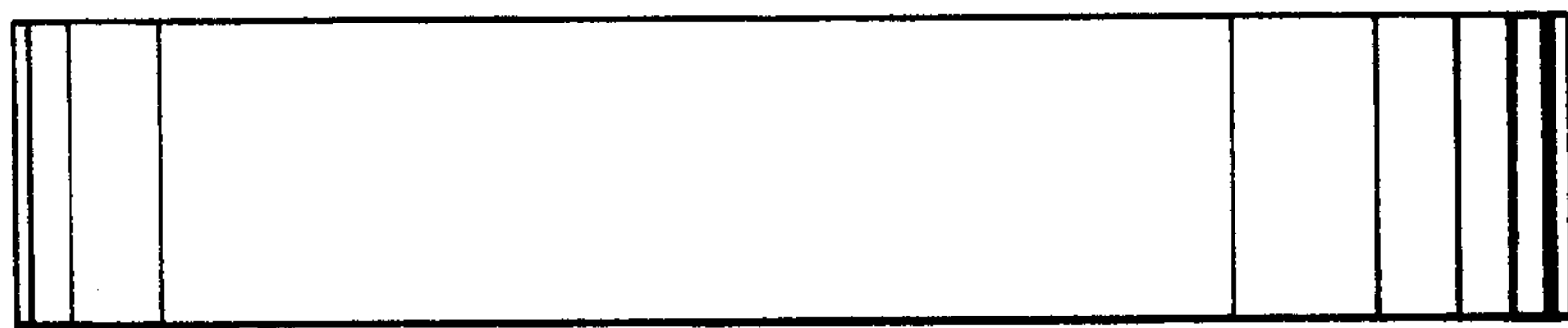


Fig. 3

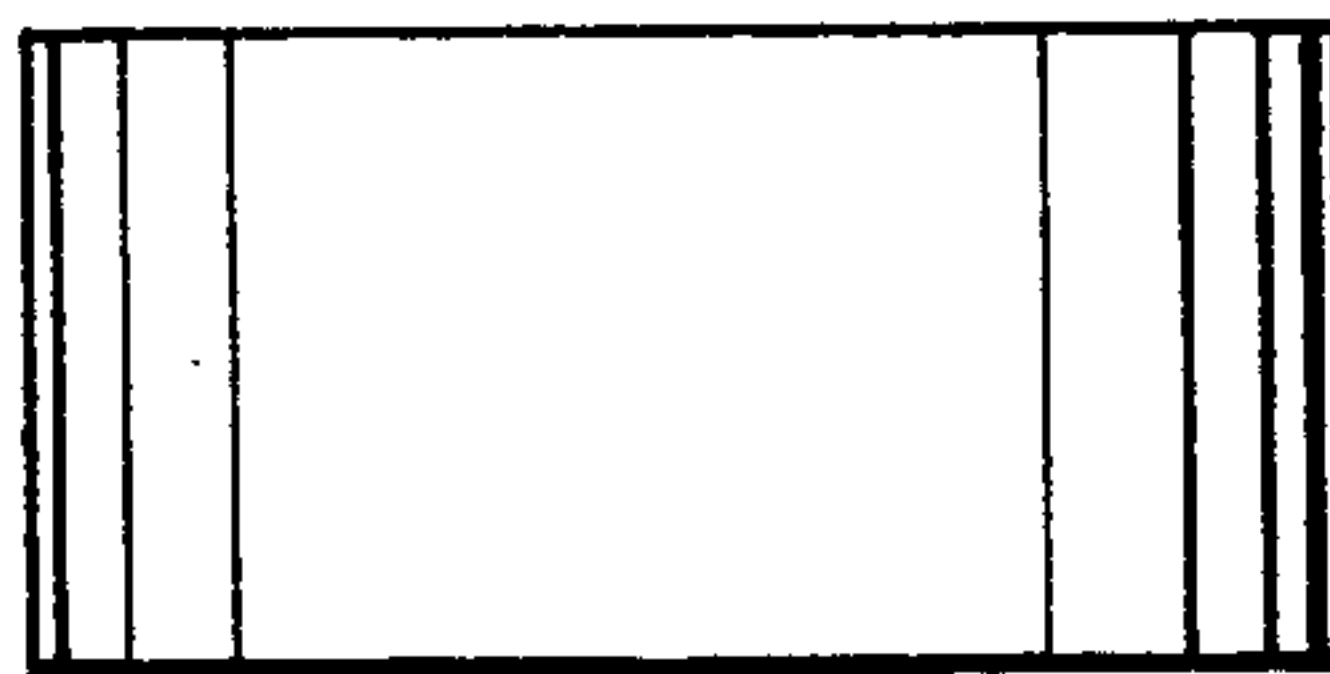


Fig. 4

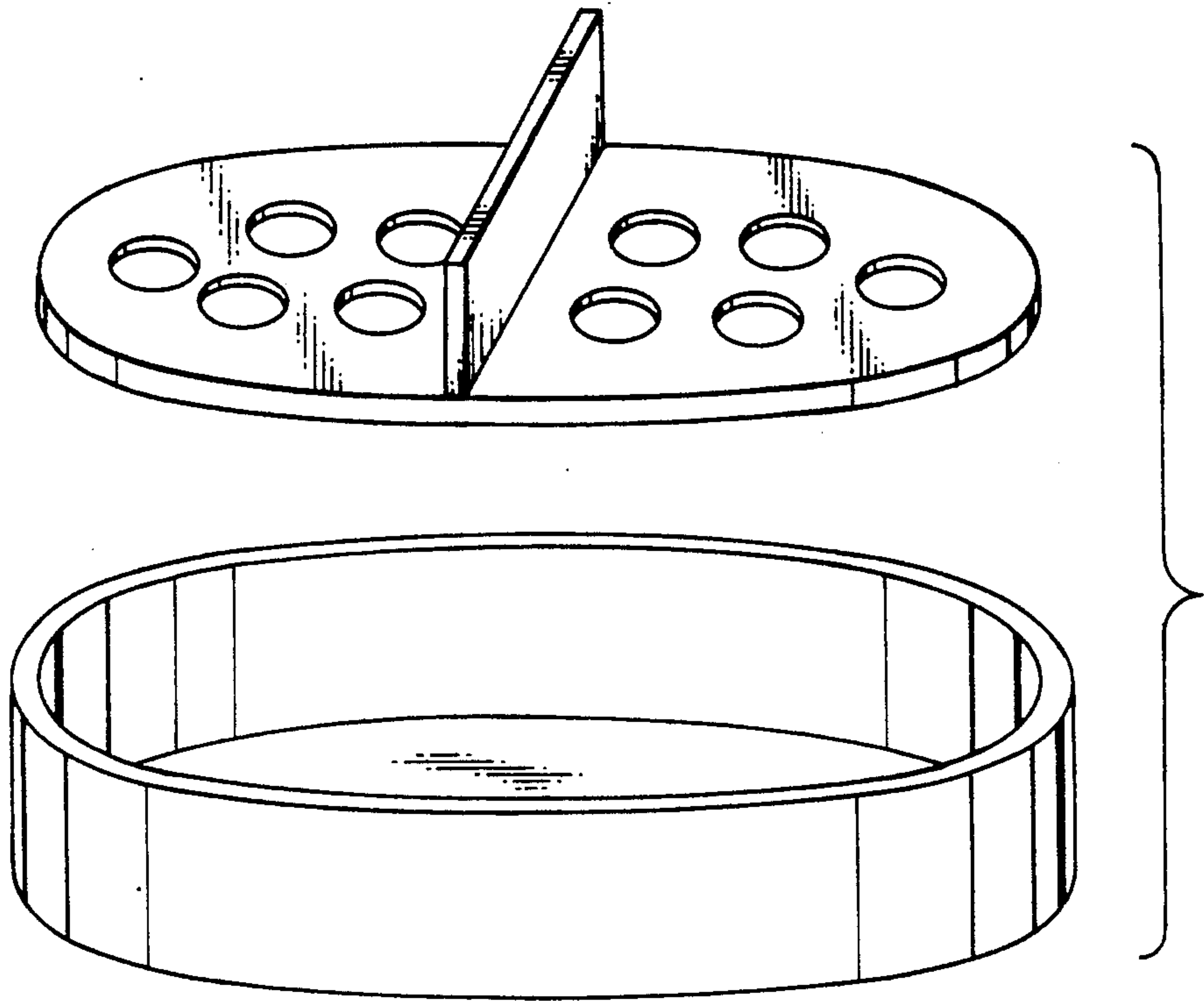


Fig. 5

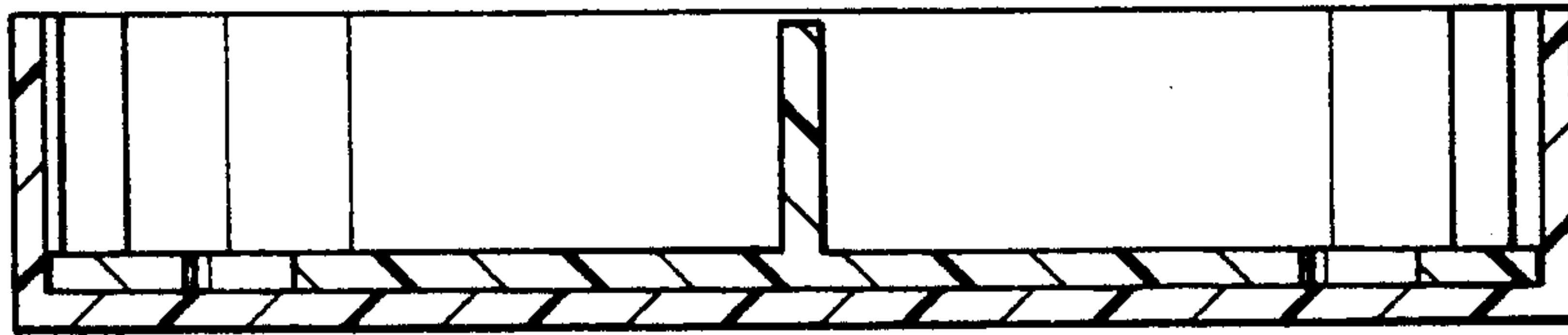


Fig. 6