



US00D326808S

United States Patent [19]

[11] Patent Number: **Des. 326,808**

Evenson

[45] Date of Patent: **** Jun. 9, 1992**

[54] **WALL OR PANEL SUPPORTED ARTICLE HANGERS**

769,794	9/1904	Fowler	248/489
1,133,209	3/1915	Wolke	248/489
3,861,639	1/1975	Morrill	248/489

[75] Inventor: **Mel Evenson, San Pedro, Calif.**

Primary Examiner—Horace B. Fay, Jr.

[73] Assignee: **Eldon Industries, Inc., Inglewood, Calif.**

[57] **CLAIM**

[**] Term: **14 Years**

The ornamental design for wall or panel supported article hangers, as shown and described.

[21] Appl. No.: **597,757**

DESCRIPTION

[22] Filed: **Oct. 15, 1990**

[52] U.S. Cl. **D8/373; D8/372**

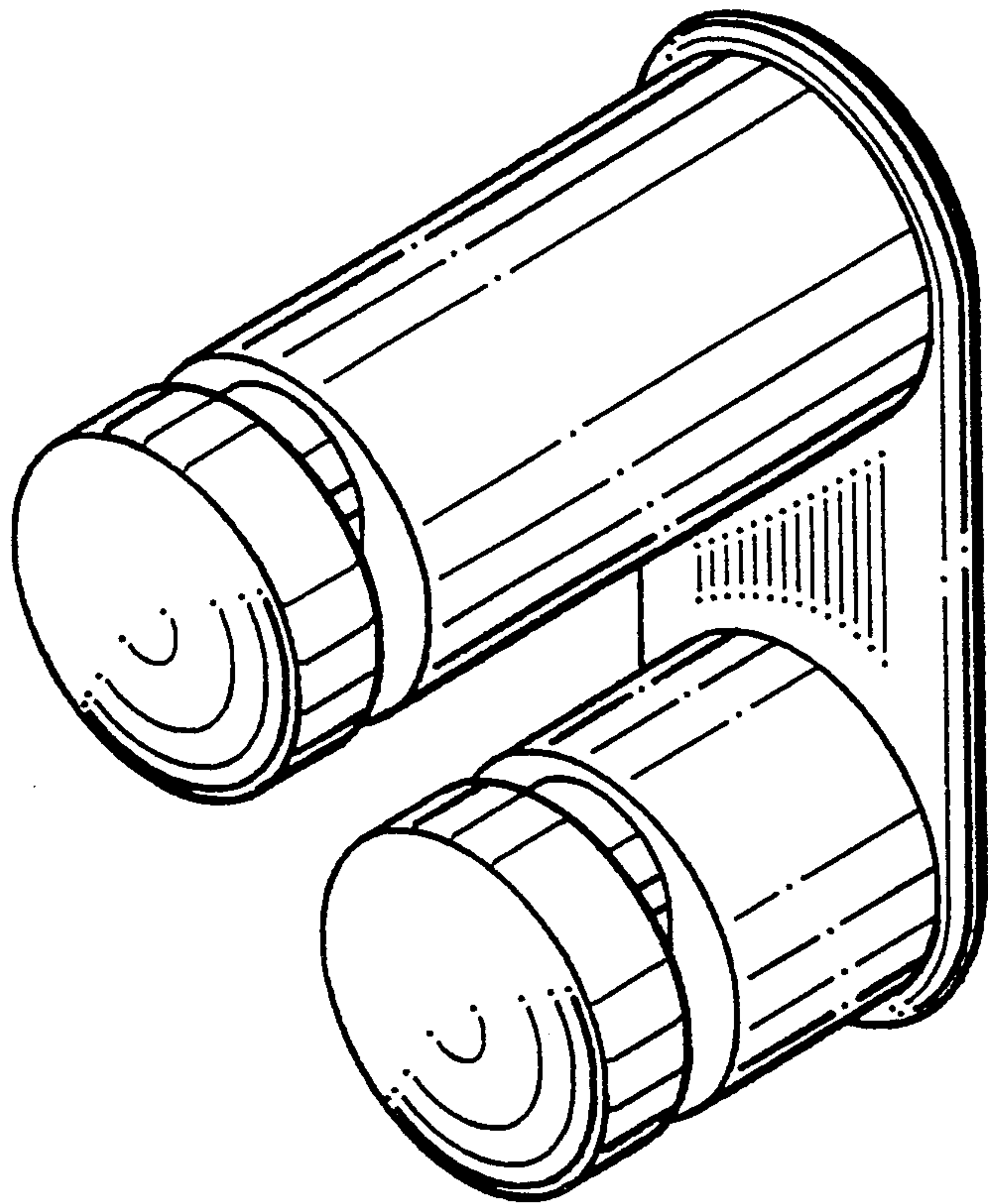
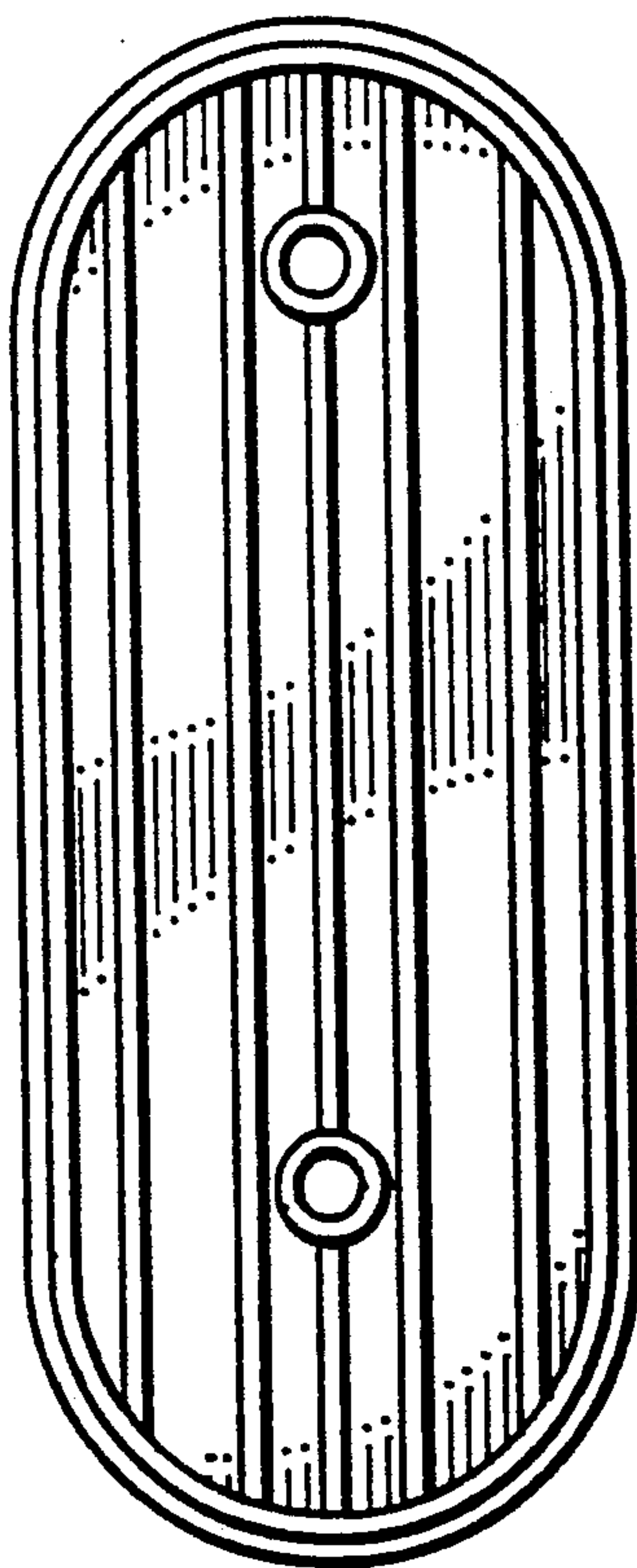
[58] Field of Search **D8/373, 372, 367; D6/553; 248/489**

FIG. 1 is a front elevational view of a wall or panel supported article hangers showing my new design; FIG. 2 is a right side elevational view, the left side being a mirror image thereof; FIG. 3 is a bottom plan view; FIG. 4 is a top plan view; FIG. 5 is a rear elevational view; FIG. 6 is a front elevational view of a modified embodiment of my design; FIG. 7 is a right side elevational view, the left side being a mirror image thereof; FIG. 8 is a rear elevational view; FIG. 9 is a top plan view; FIG. 10 is a bottom plan view; and, FIG. 11 is a perspective view thereof.

[56] **References Cited**

U.S. PATENT DOCUMENTS

D. 50,822	5/1917	Stephens	D8/372 X
85,738	1/1869	Gridley	248/489
160,754	3/1875	Dobbs et al.	248/489
D. 181,471	11/1957	Heberlein	D6/553
D. 268,553	4/1983	Beier	D8/373
D. 272,697	2/1984	Shaines et al.	D8/372 X
D. 318,590	7/1991	McKeone	D6/553 X
458,711	9/1891	Green	248/489



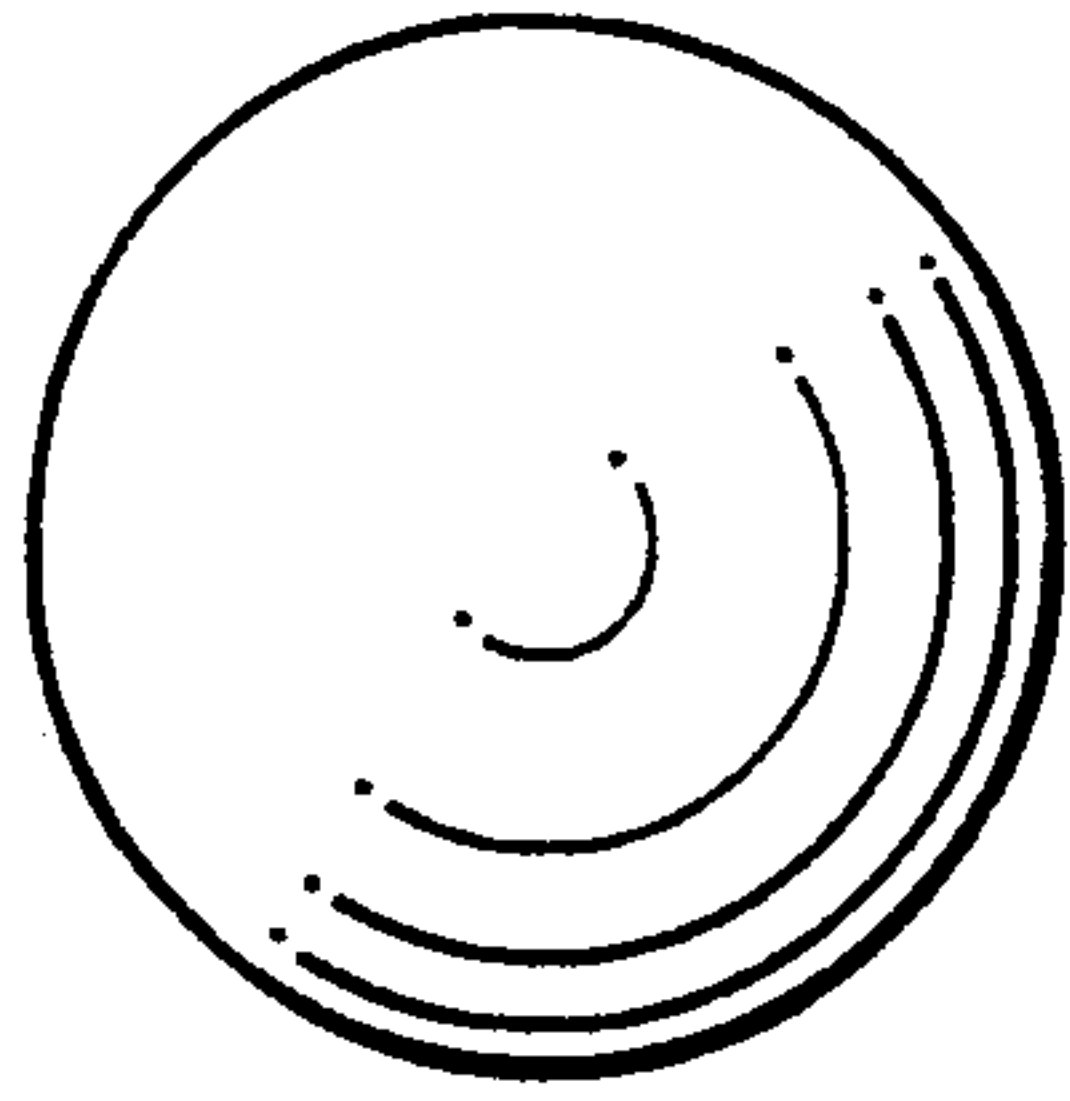


FIG. 1

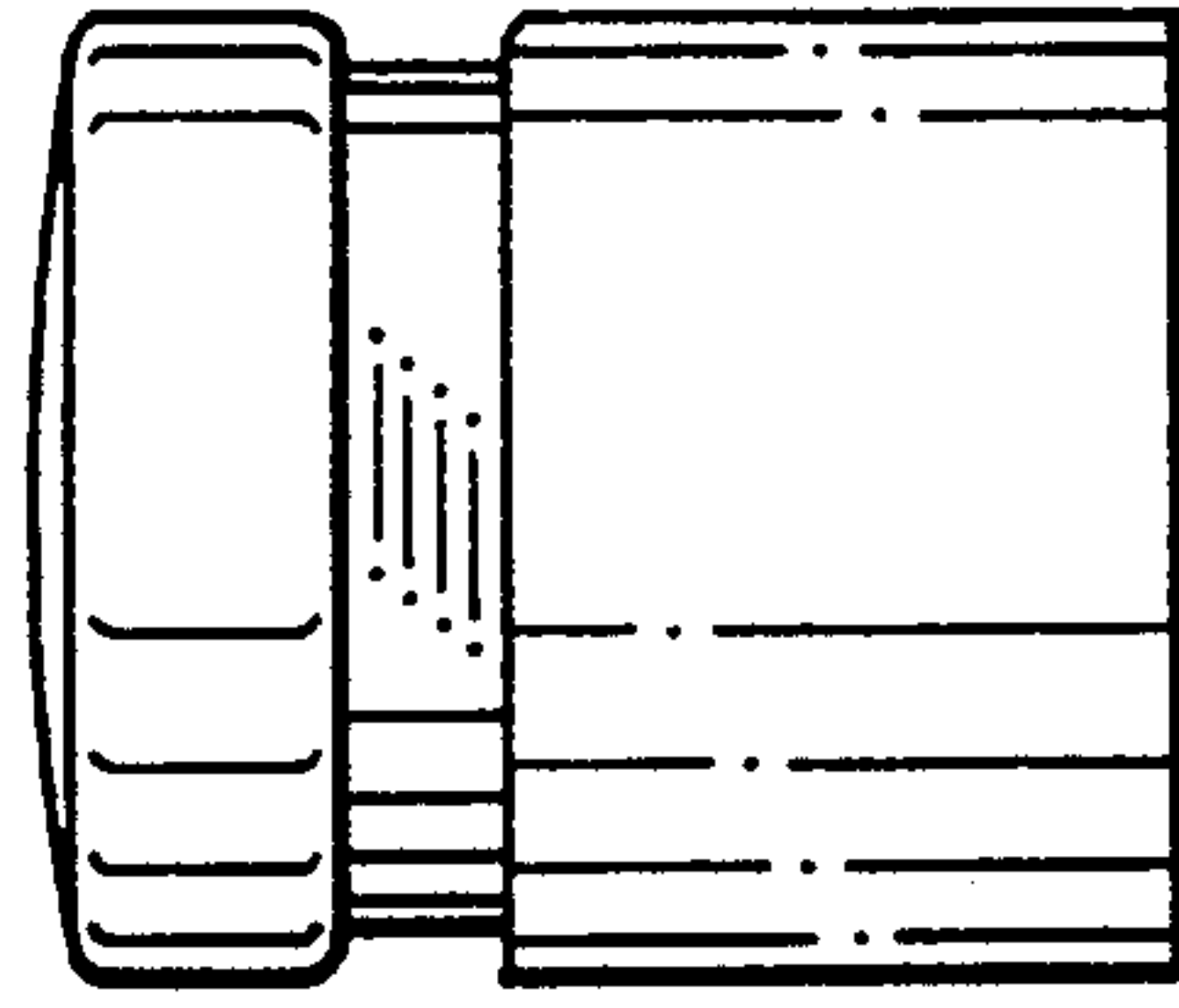


FIG. 2

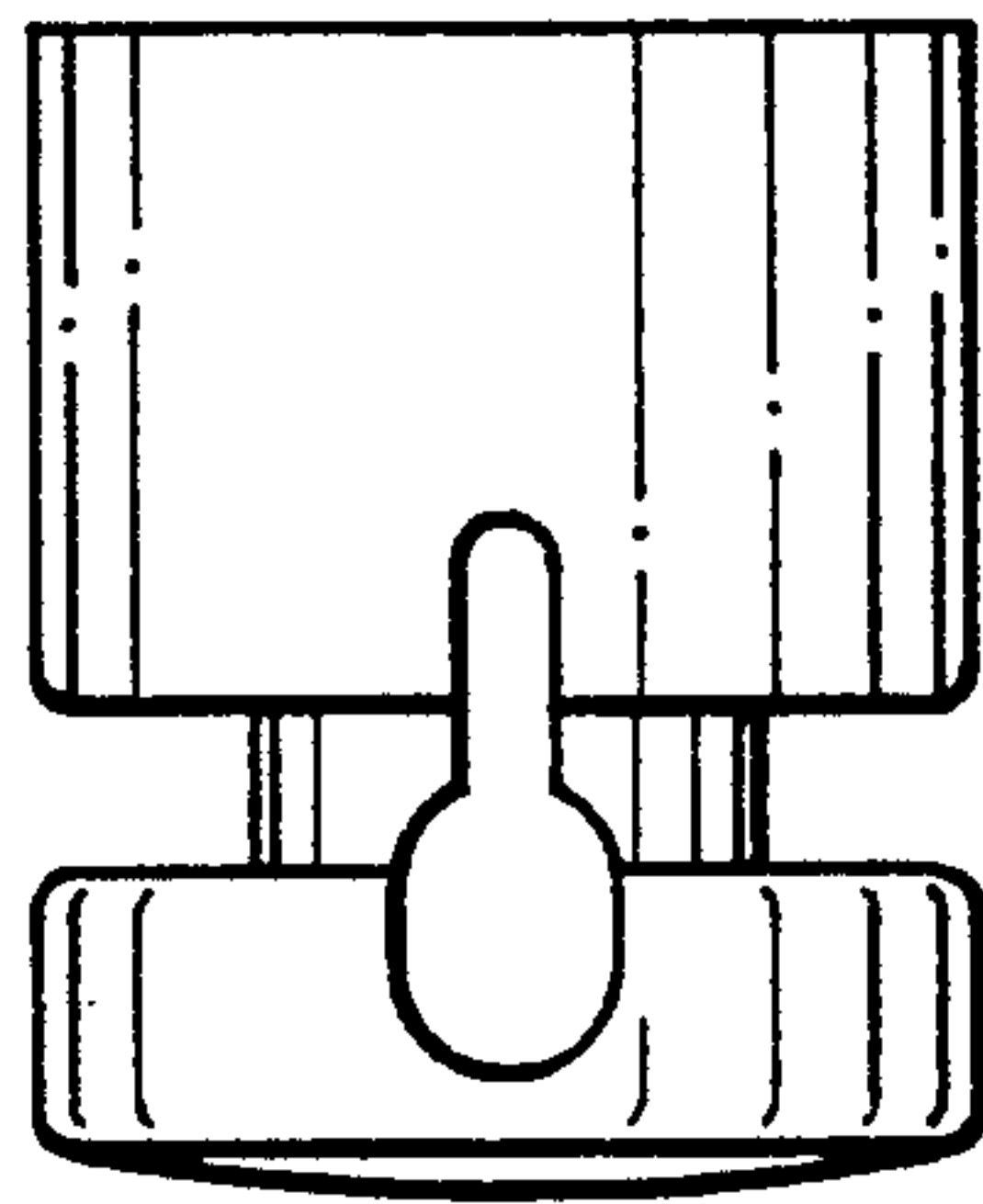


FIG. 3

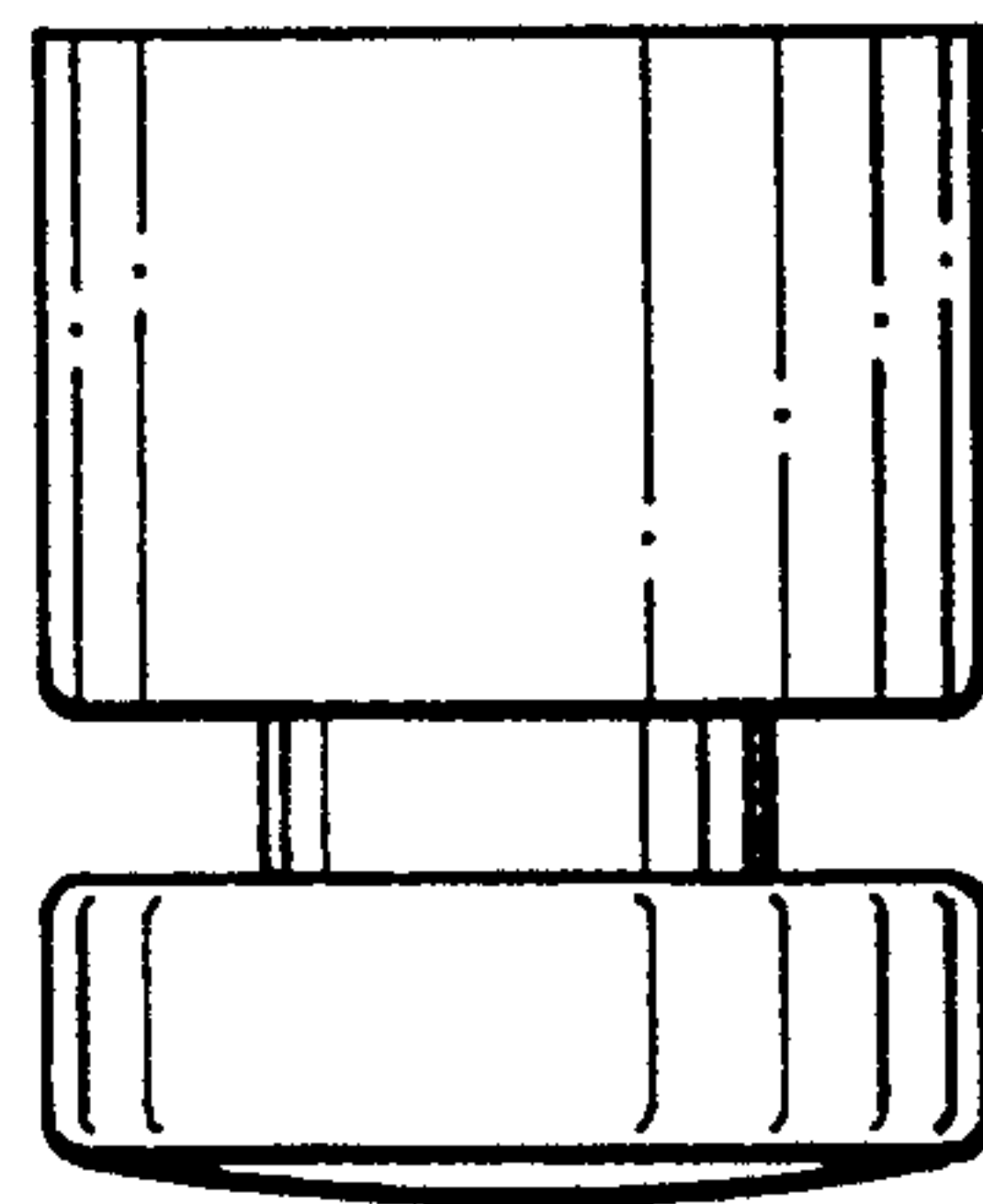


FIG. 4

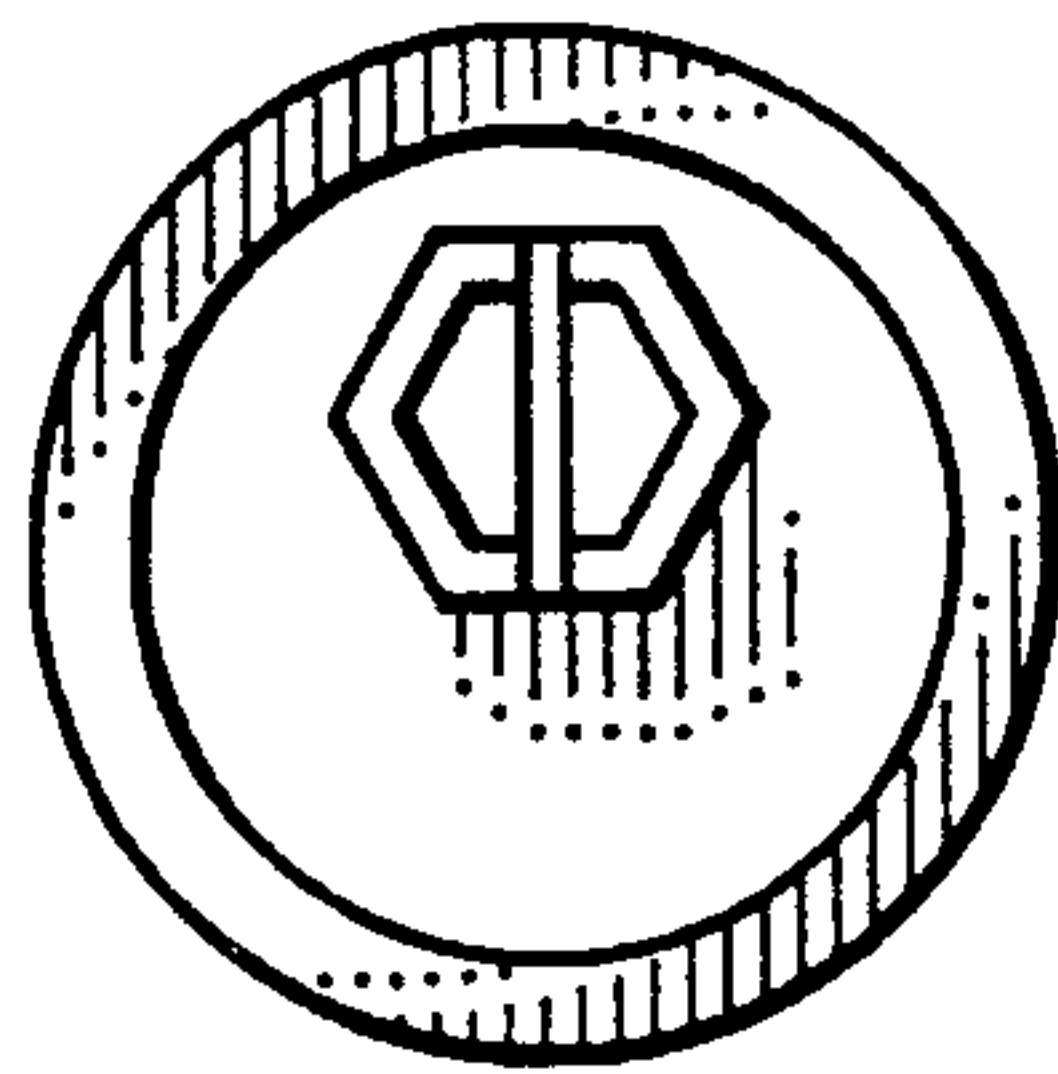


FIG. 5

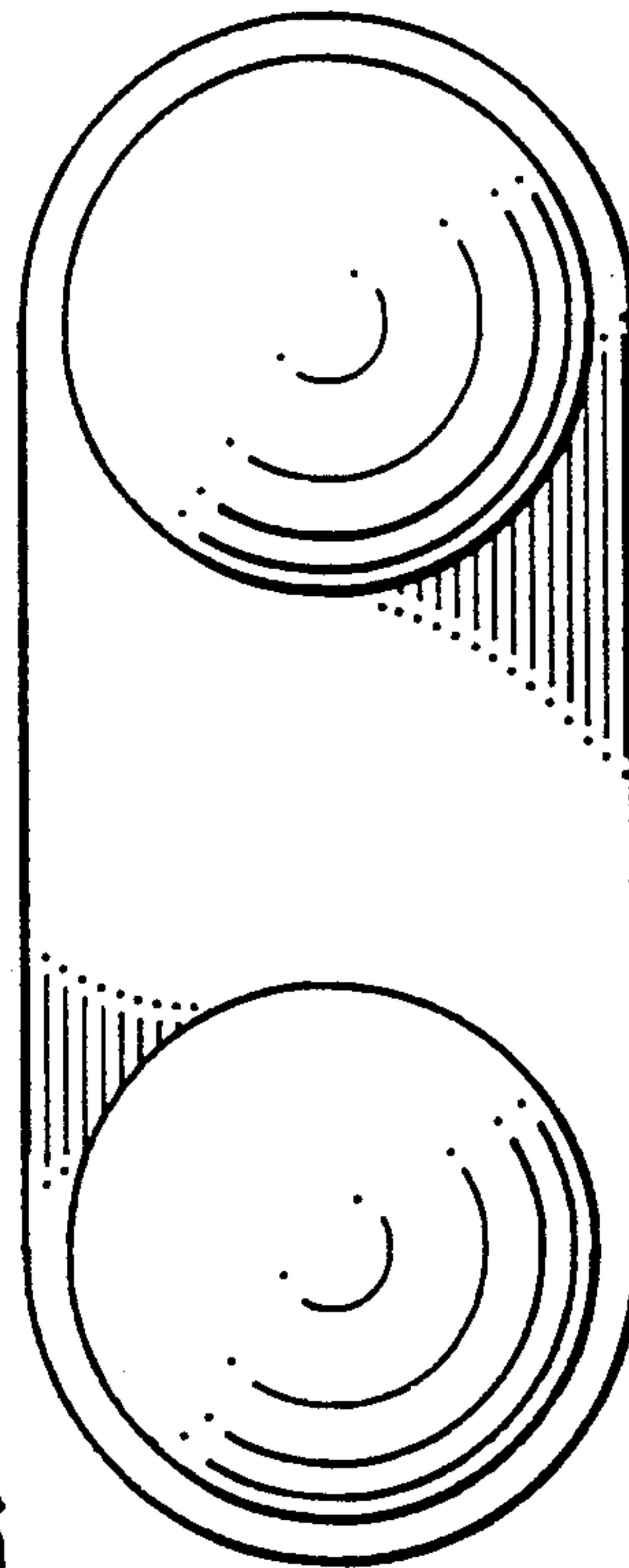


FIG. 6

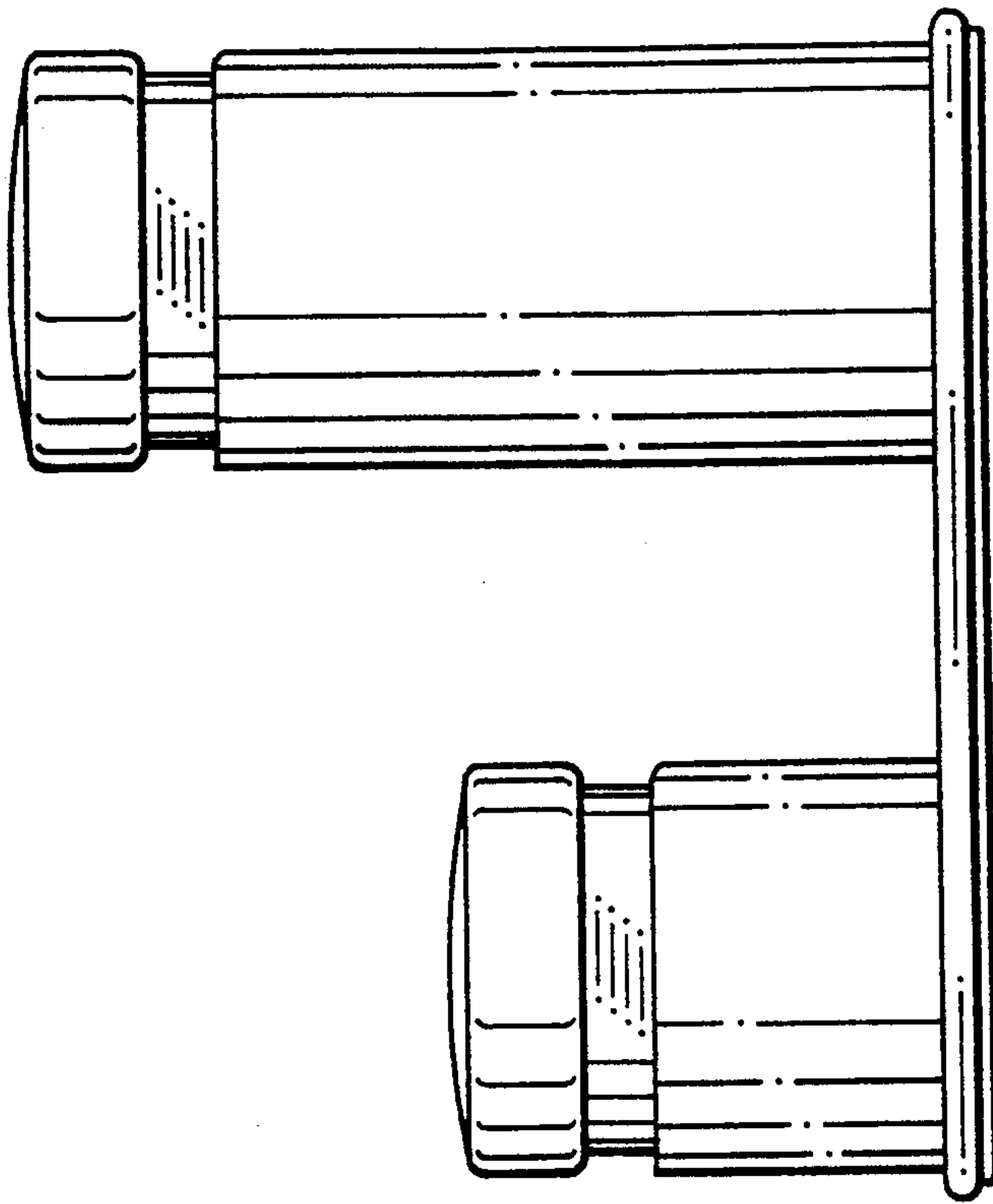


FIG. 7

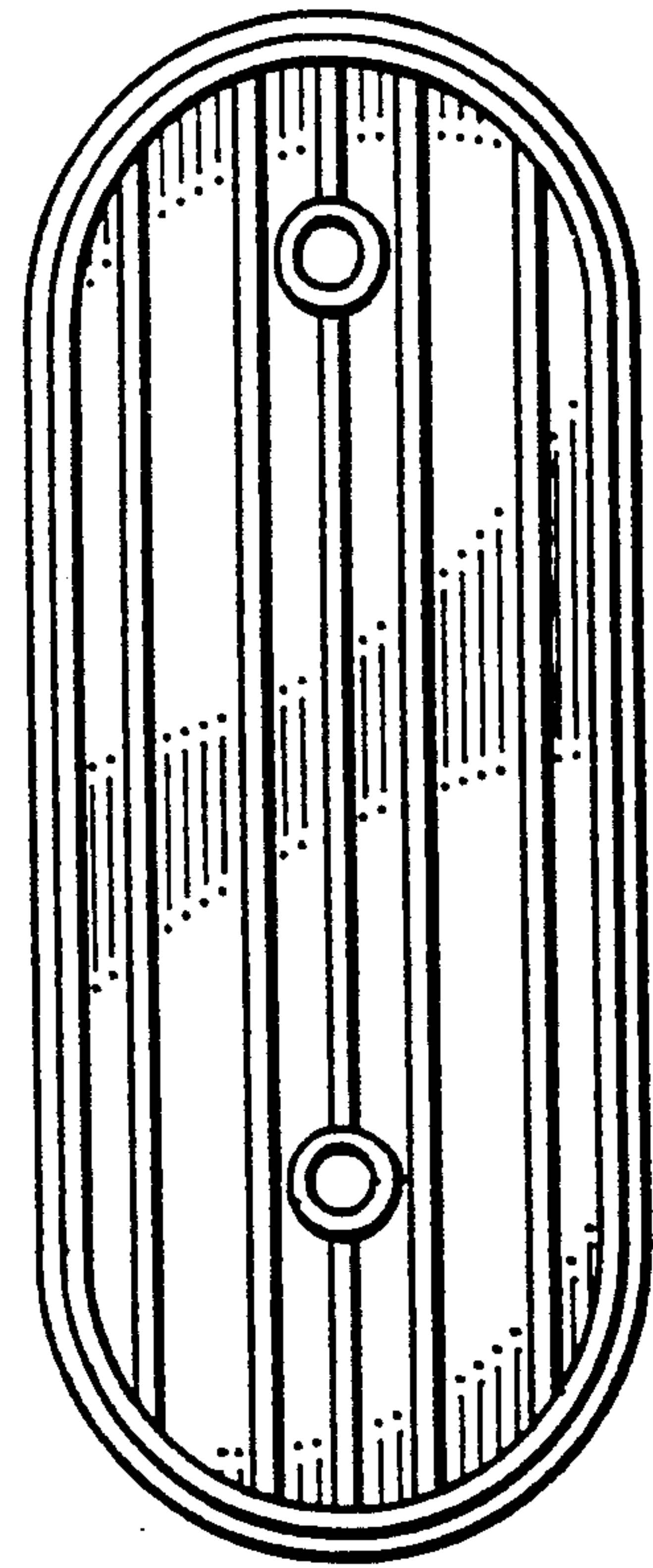


FIG. 8

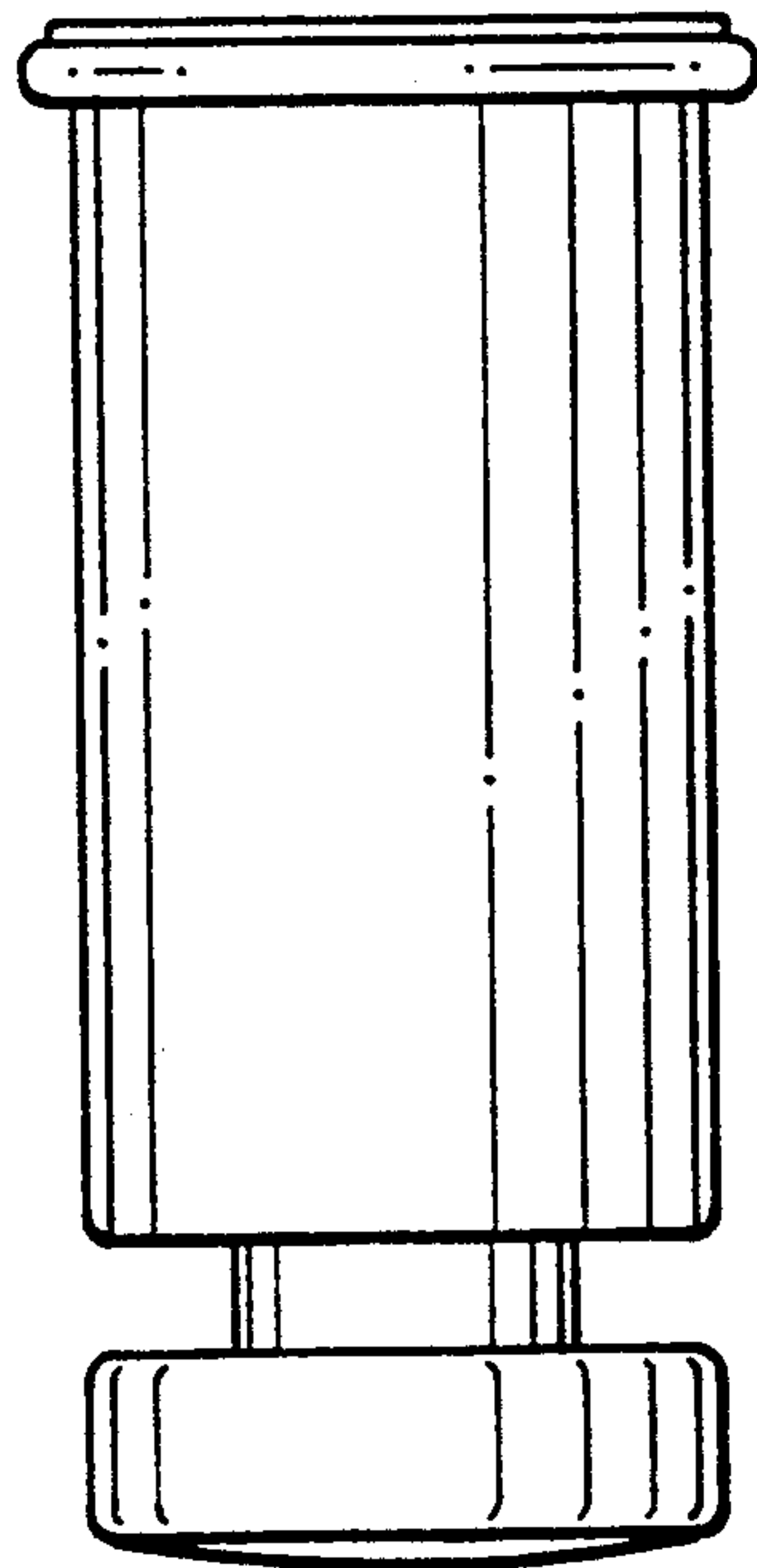


FIG. 9

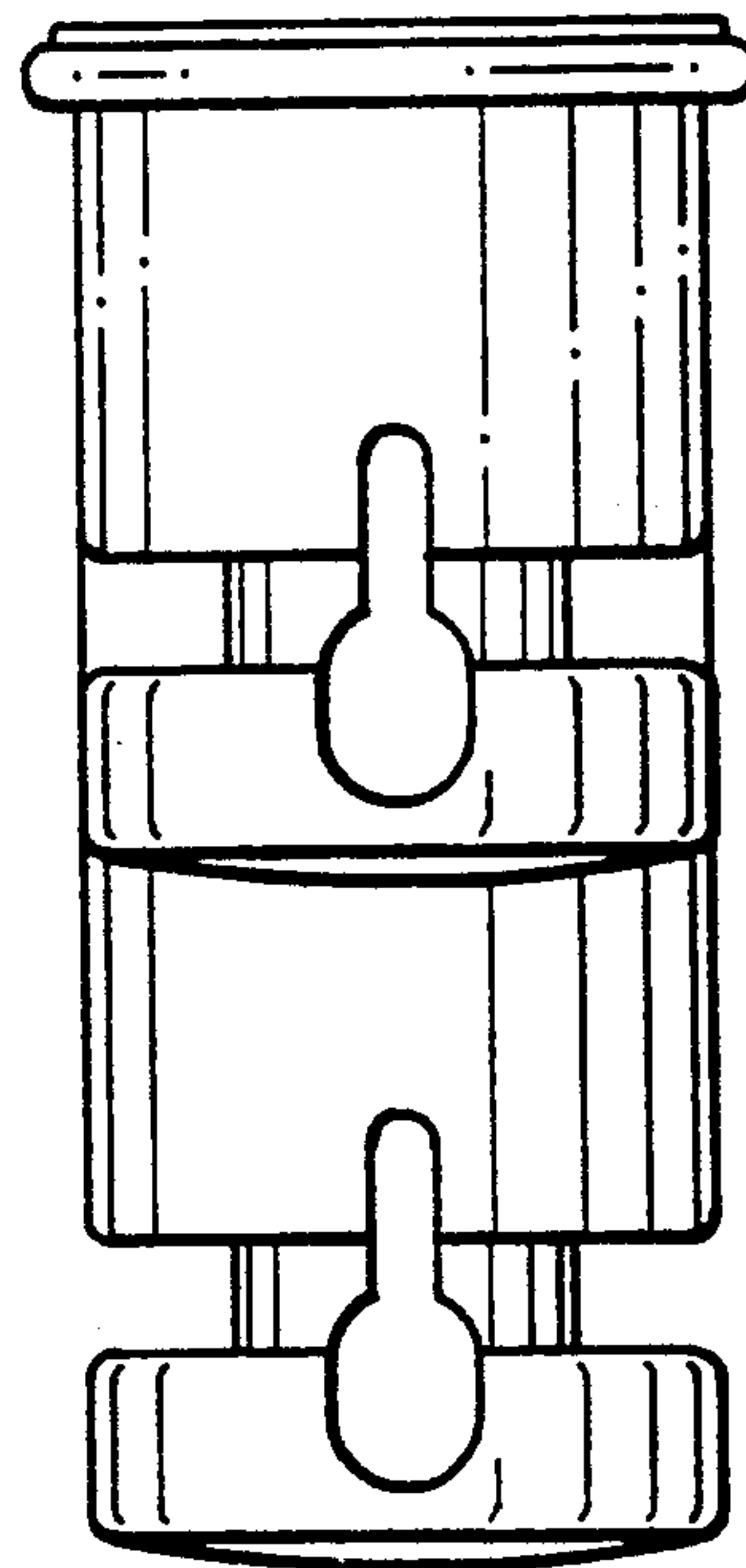


FIG. 10

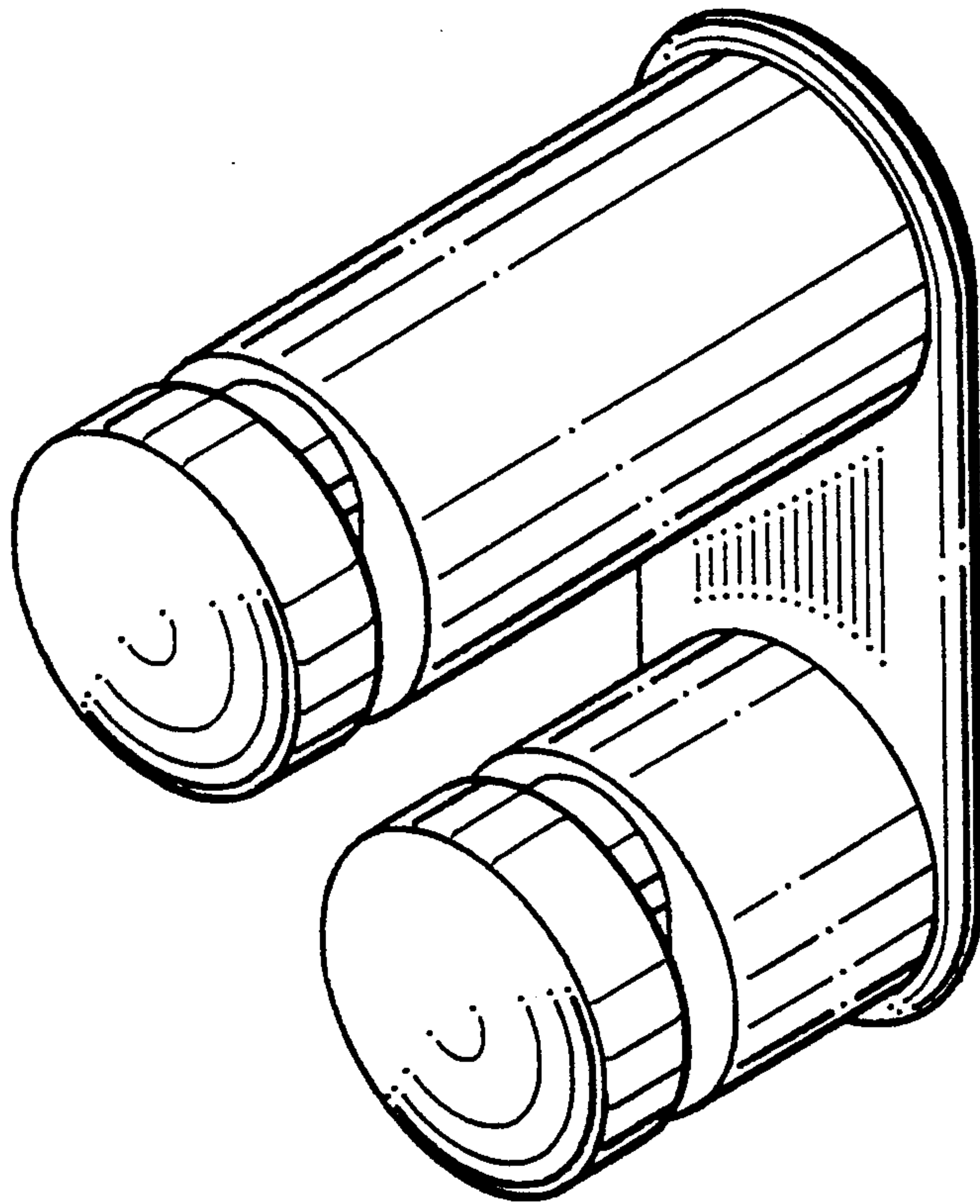


FIG. 11