



US00D326807S

United States Patent [19]

Hargrove

[11] Patent Number: **Des. 326,807**

[45] Date of Patent: **** Jun. 9, 1992**

[54] **BARBED WIRE DISPENSER**

[75] Inventor: **Darrell Hargrove**, Cross Plains, Tex.

[73] Assignee: **Labor Saver Products, Inc.**, Cross Plains, Tex.

[**] Term: **14 Years**

[21] Appl. No.: **499,720**

[22] Filed: **Mar. 27, 1990**

[52] U.S. Cl. **D8/358**

[58] Field of Search **D8/14, 51, 358, 359; 242, 85, 86.5, 54 R, 99, 129, 86.7**

3,356,341	12/1967	Brown	254/64
3,722,861	3/1973	Anderson	242/86.5
3,831,877	8/1974	Bennett et al.	242/129
3,856,230	12/1974	Zimmer	173/46
3,934,655	1/1976	Whistle	242/86.5
3,937,308	2/1976	Sukup	242/86.5 R
4,368,858	1/1983	Salomon	242/85
4,391,422	7/1983	McDonald	242/86.5 R
4,611,645	9/1986	Whisnant	242/86.5 R
4,649,954	3/1987	Dunwoody	242/86.5 R
4,775,114	10/1988	Farnsworth	242/86.5 R
4,854,521	8/1989	Farnsworth	242/86.5

Primary Examiner—Bernard Ansher
Assistant Examiner—Philip Hyder
Attorney, Agent, or Firm—David L. McCombs

[56] **References Cited**

U.S. PATENT DOCUMENTS

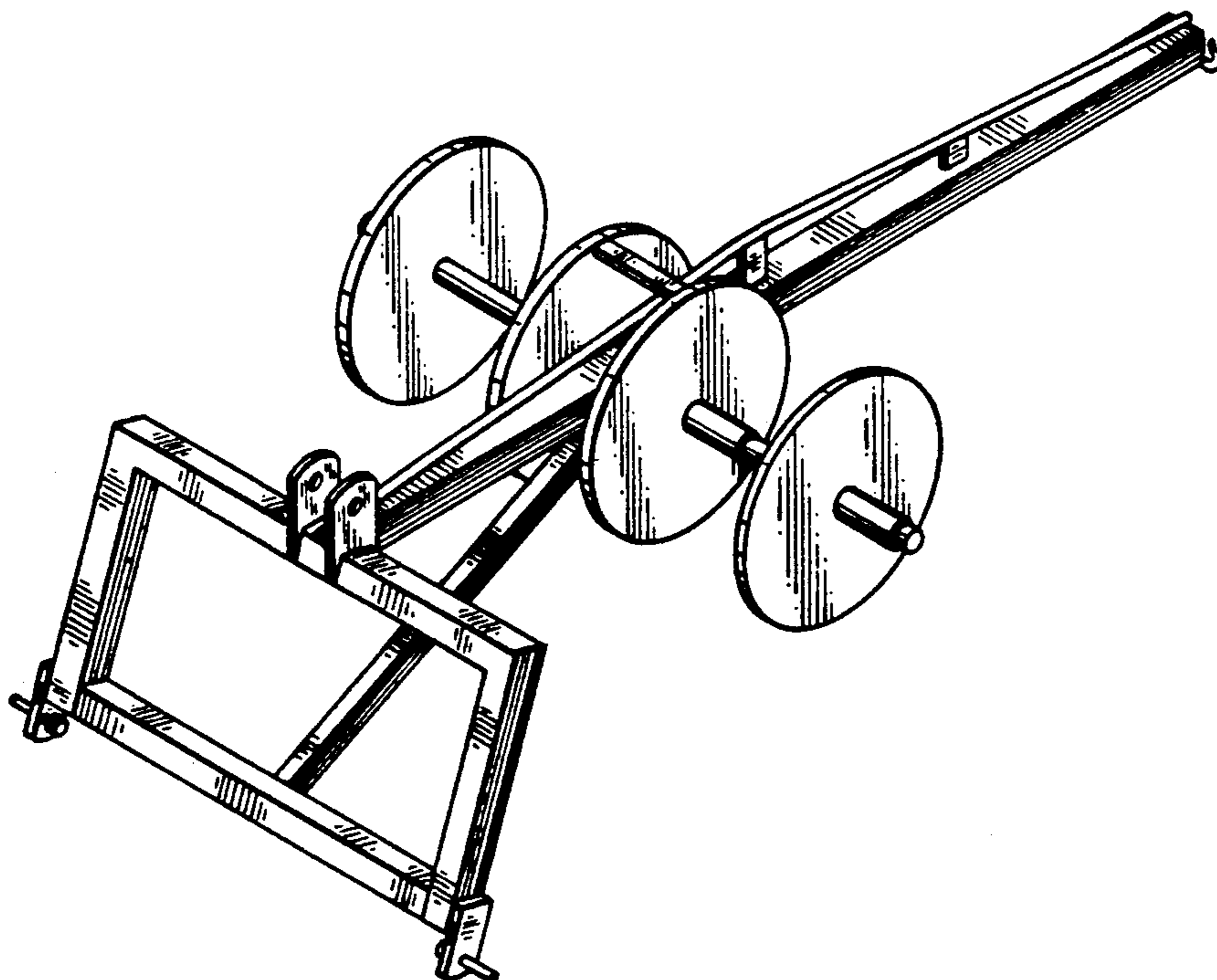
355,090	12/1886	Kampf	242/86.5
485,541	11/1892	Harper	242/86.5
1,214,772	2/1917	Fouts	242/86.5
1,215,454	2/1917	Winchell	242/86.5
1,230,794	6/1917	Schick	242/86.5
2,386,751	10/1945	Sayles	242/86.5
2,664,253	12/1953	Therrien	242/86.5
2,705,114	3/1955	Worsham	242/86.5
2,896,877	7/1959	Vaughn	242/86.5
2,914,270	11/1959	Parker et al.	242/86.5
3,048,348	8/1962	Griffin	242/86.5
3,072,357	1/1963	Sprague et al.	242/86.5

[57] **CLAIM**

The ornamental design for a barbed wire dispenser, as shown and described.

DESCRIPTION

FIG. 1 is a perspective view of the barbed wire dispenser showing my new design;
FIG. 2 is a left side elevational view thereof, the right side being a mirror image;
FIG. 3 is a front elevational view thereof;
FIG. 4 is a rear elevational view;
FIG. 5 is a top plan view thereof; and,
FIG. 6 is a bottom plan view thereof.



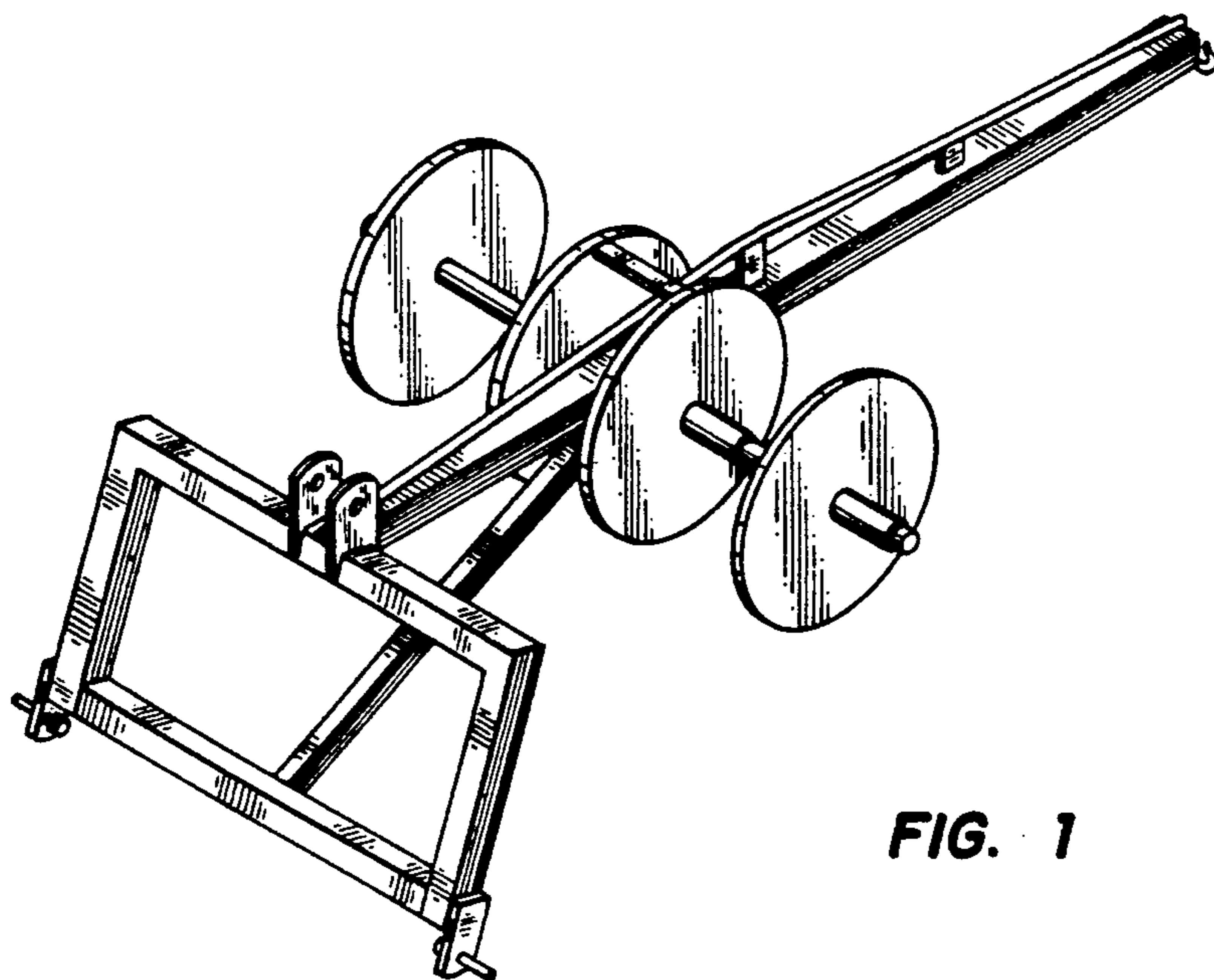


FIG. 1

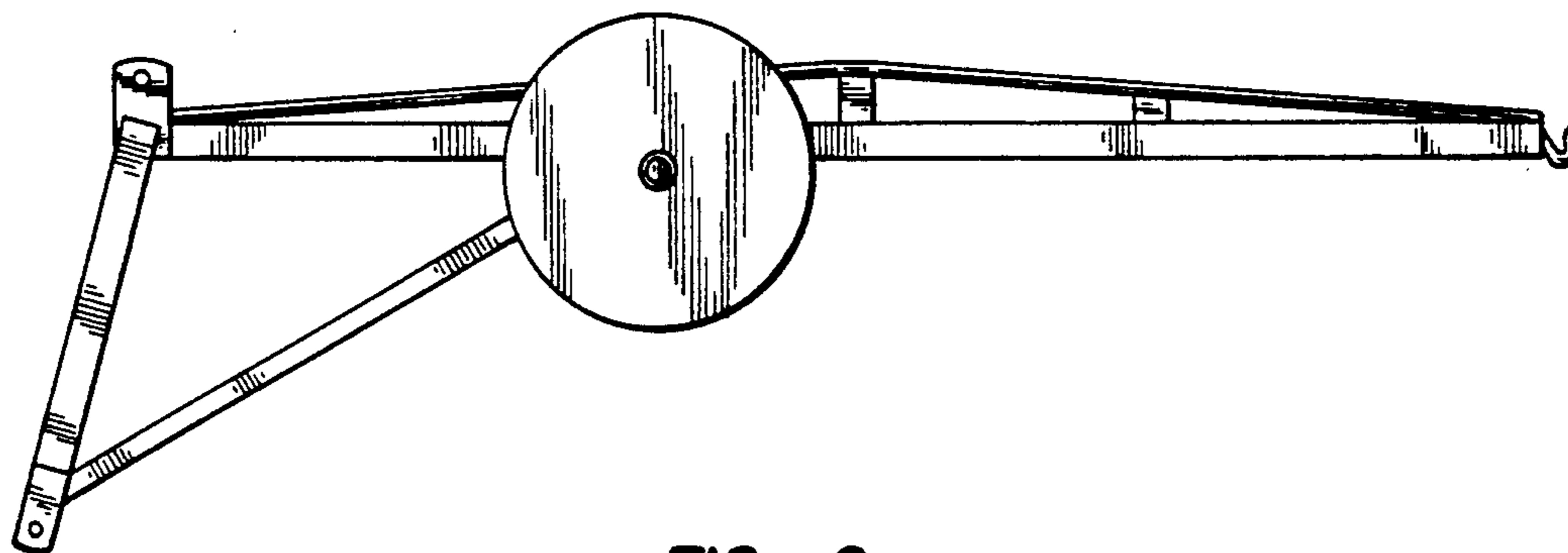


FIG. 2

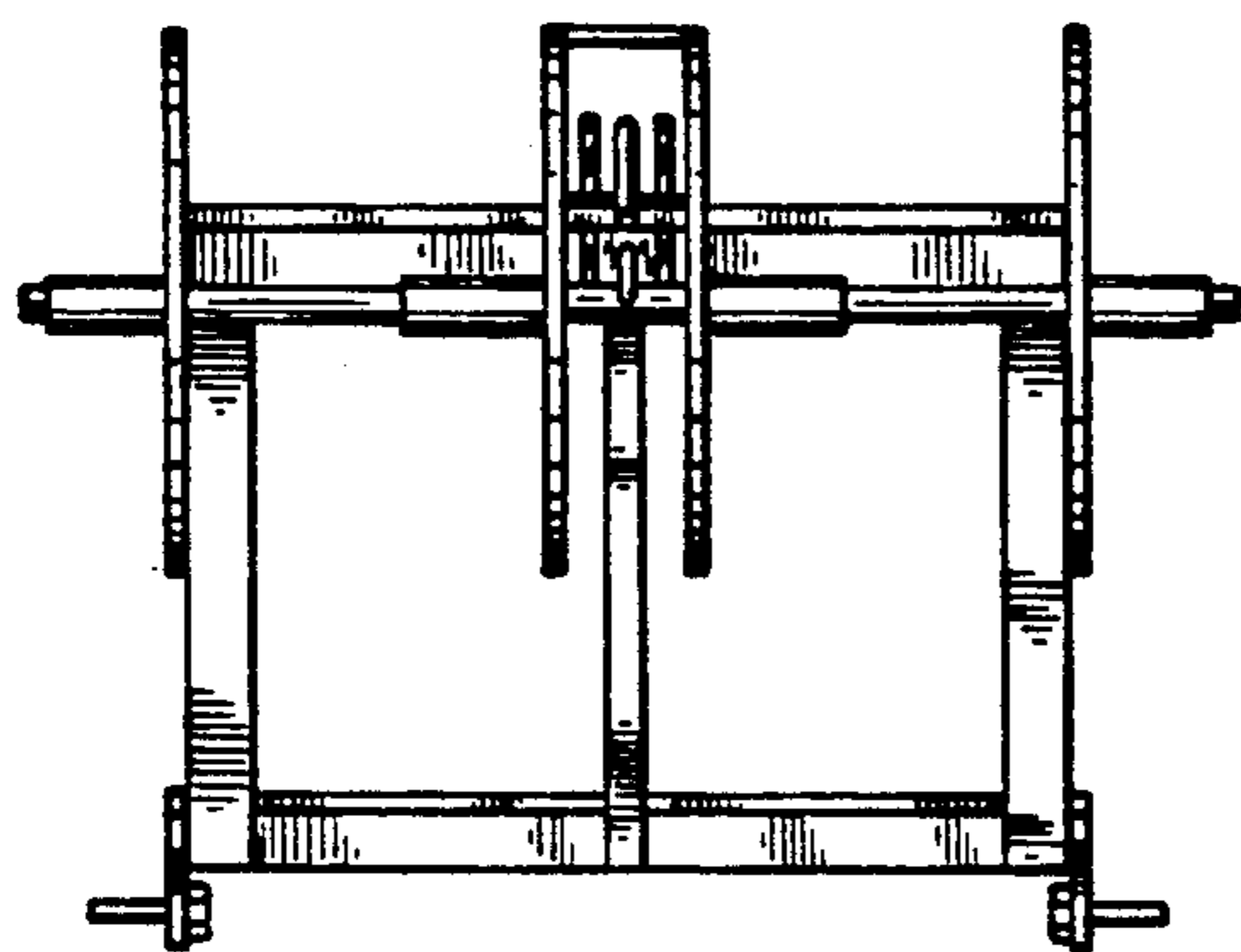


FIG. 3

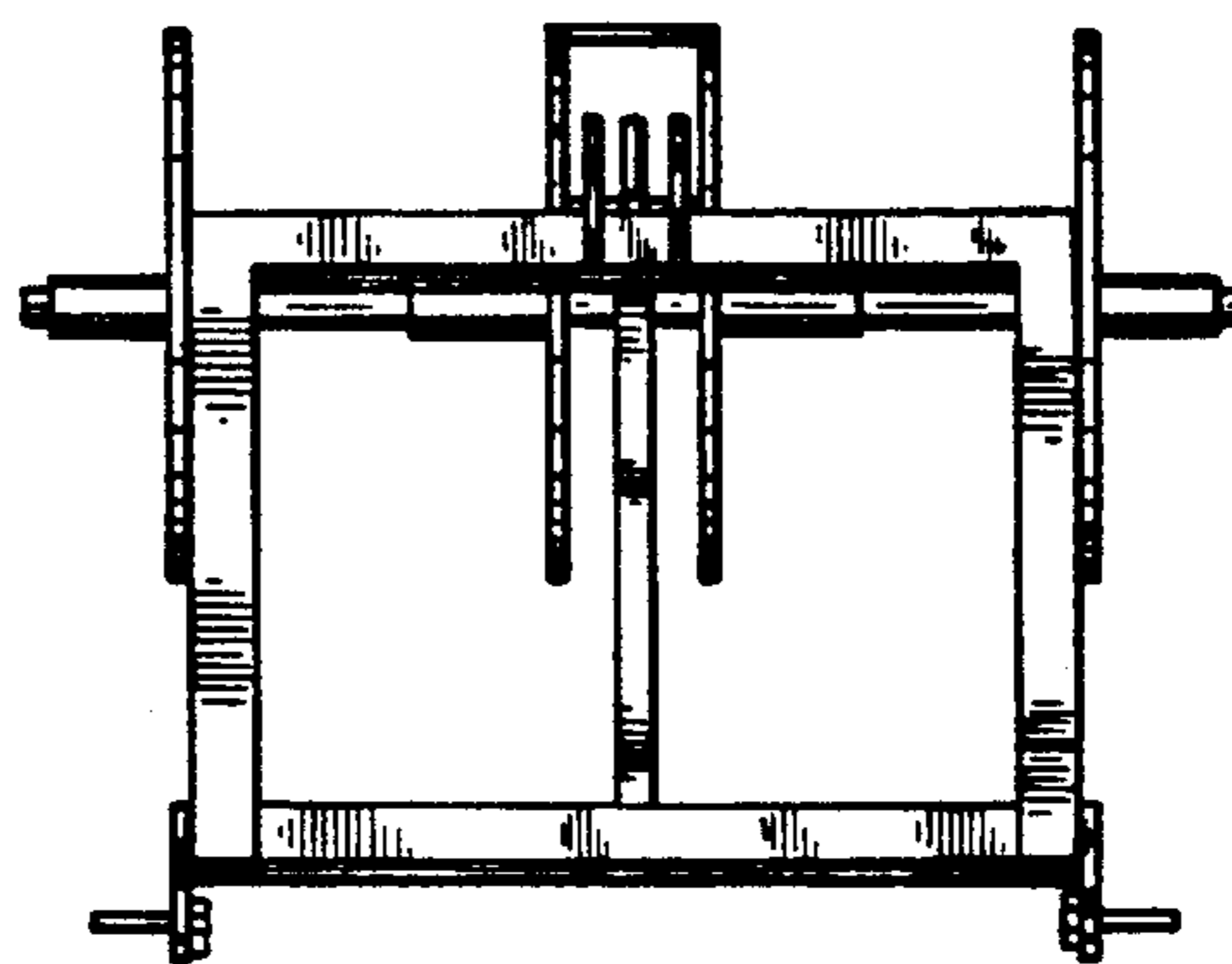


FIG. 4

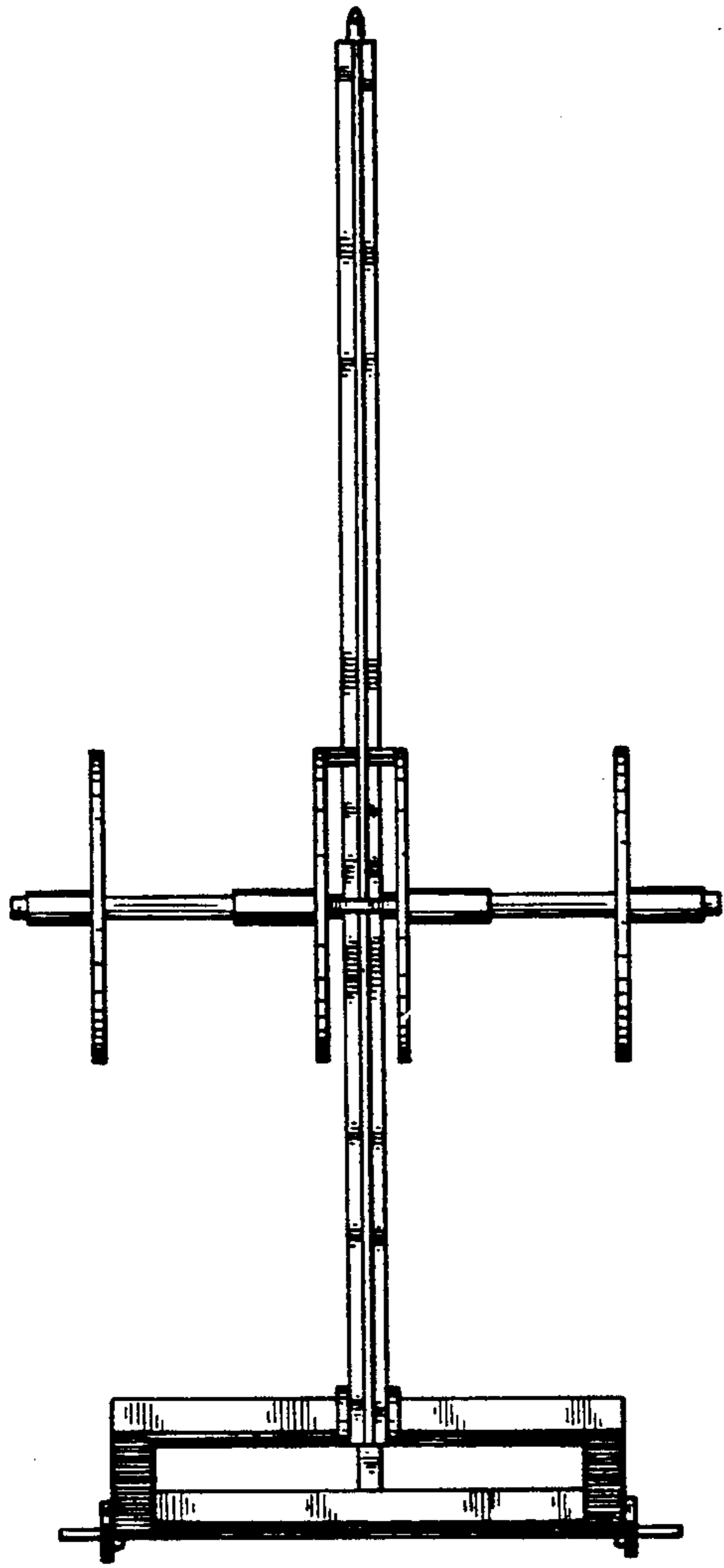


FIG. 5

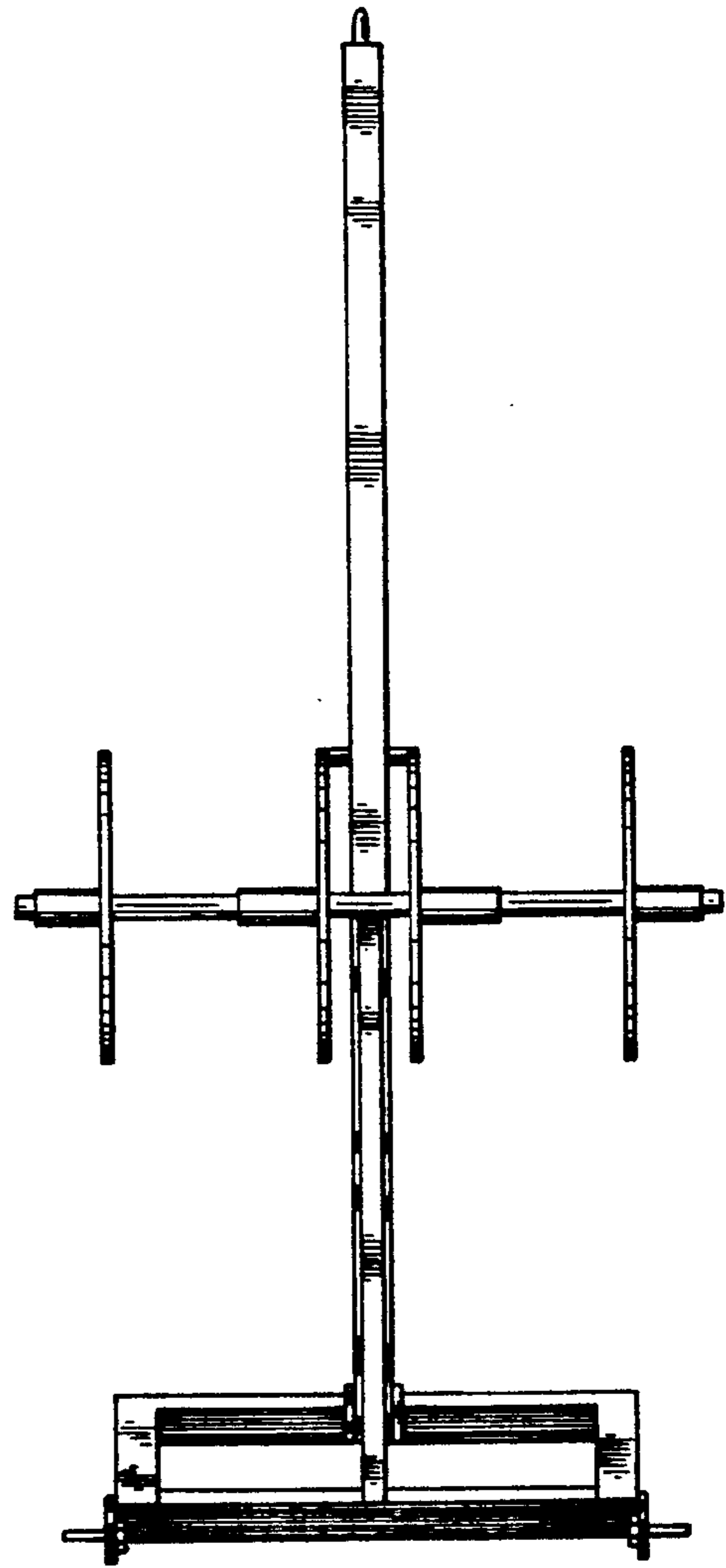


FIG. 6