



US00D326805S

# United States Patent [19] Clivio

[11] Patent Number: **Des. 326,805**

[45] Date of Patent: **\*\* Jun. 9, 1992**

[54] **DRILLING MACHINE**

[75] Inventor: **Franco Clivio, Zurich, Switzerland**

[73] Assignee: **Gardena Kress + Kastner GmbH, Fed. Rep. of Germany**

[\*\*] Term: **14 Years**

[21] Appl. No.: **460,609**

[22] Filed: **Jan. 3, 1990**

[30] **Foreign Application Priority Data**

Jul. 4, 1989 [DE] Fed. Rep. of Germany ..... 8904724

[52] U.S. Cl. .... **D8/69**

[58] Field of Search ..... D8/51, 68, 69; 81/54, 81/57.11, 57.14; 173/163, 170; 408/124, 125, 127

[56] **References Cited**

**U.S. PATENT DOCUMENTS**

D. 287,814	1/1987	Hiraishi et al. ....	D8/67
D. 294,052	2/1988	Moomaw .....	D8/68
D. 301,300	5/1989	Sasaki et al. ....	D8/68
D. 301,967	7/1989	Sakamoto et al. ....	D8/61
D. 320,918	10/1991	Mochida .....	D8/68

**OTHER PUBLICATIONS**

Metabo Elektrowerkzeuge, Neuheiten '90, pp. 1, 4, 6, 7.

Bosch, Das neue Bosch AKKU-Programm für Heimwerken.

Black and Decker, Das AKKU-Heimwerken-Programm.

Toshiba, "Das AKKU-Programm für Industrie und Handwerk", pp. 2, 3, 4, 5, 6, 7.

Hitachi, Elektrowerkzeuge 1990, pp. 17, 19, 18, 20, 21, 22, 25.

AEG, AKKU-Elektrowerkzeuge von AEG, pp. 16, 17, 18, 19.

Makita, Der Welt Gröbles AKKU-Programm, pp. 2, 3, 4, 5, 6, 7, 8, 9, 10, 15.

*Primary Examiner*—Donald P. Walsh

*Assistant Examiner*—J. H. Musgrove

*Attorney, Agent, or Firm*—Quarles & Brady

[57] **CLAIM**

The ornamental design for a drilling machine, as shown or described.

**DESCRIPTION**

FIG. 1 is a top, front and left-side perspective view of a drilling machine showing my new design;

FIG. 2 is a top plan view;

FIG. 3 is a right side elevational view;

FIG. 4 is a bottom plan view;

FIG. 5 is a left side elevational view;

FIG. 6 is a front elevational view; and,

FIG. 7 is a rear elevational view thereof.

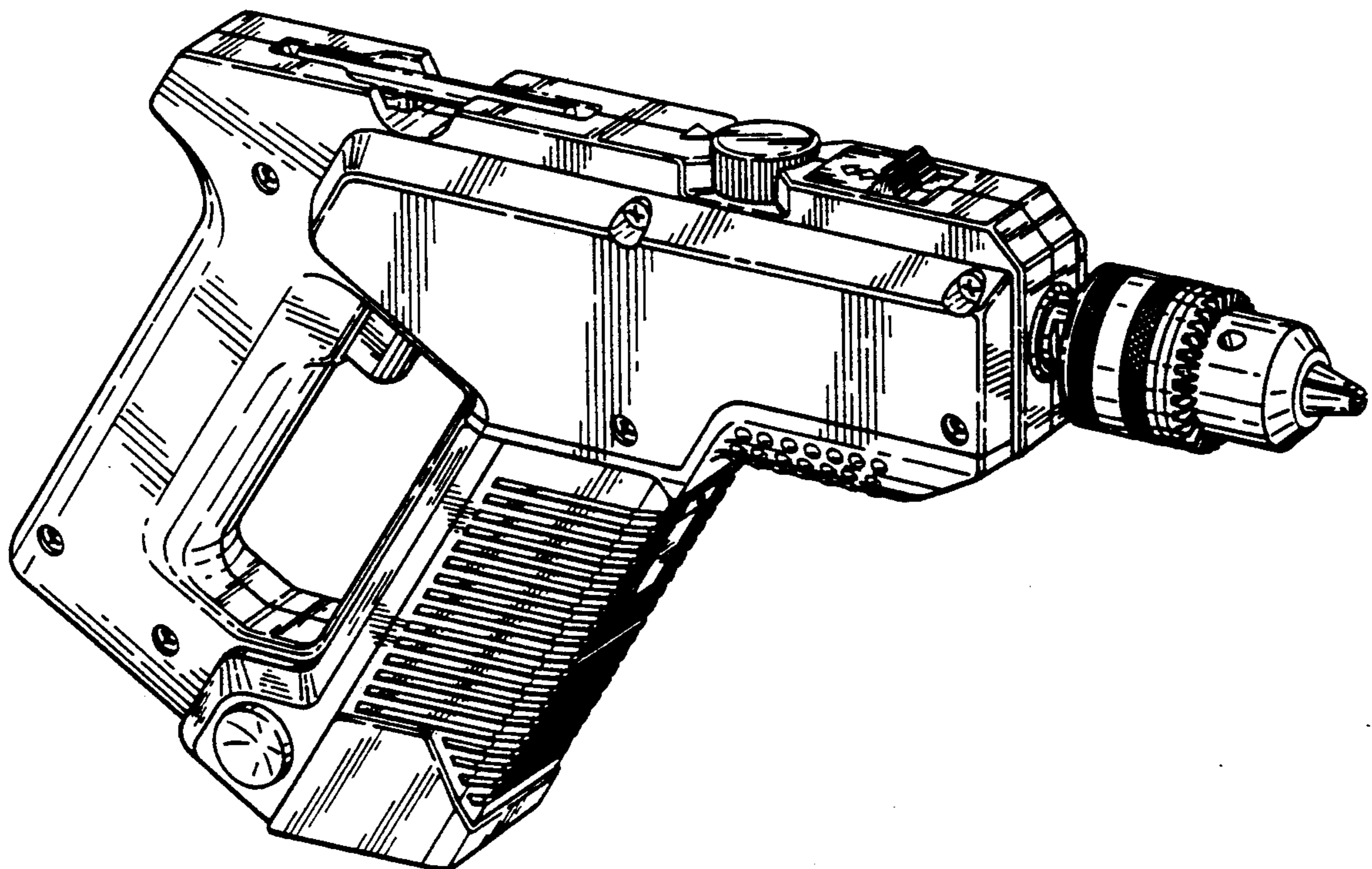
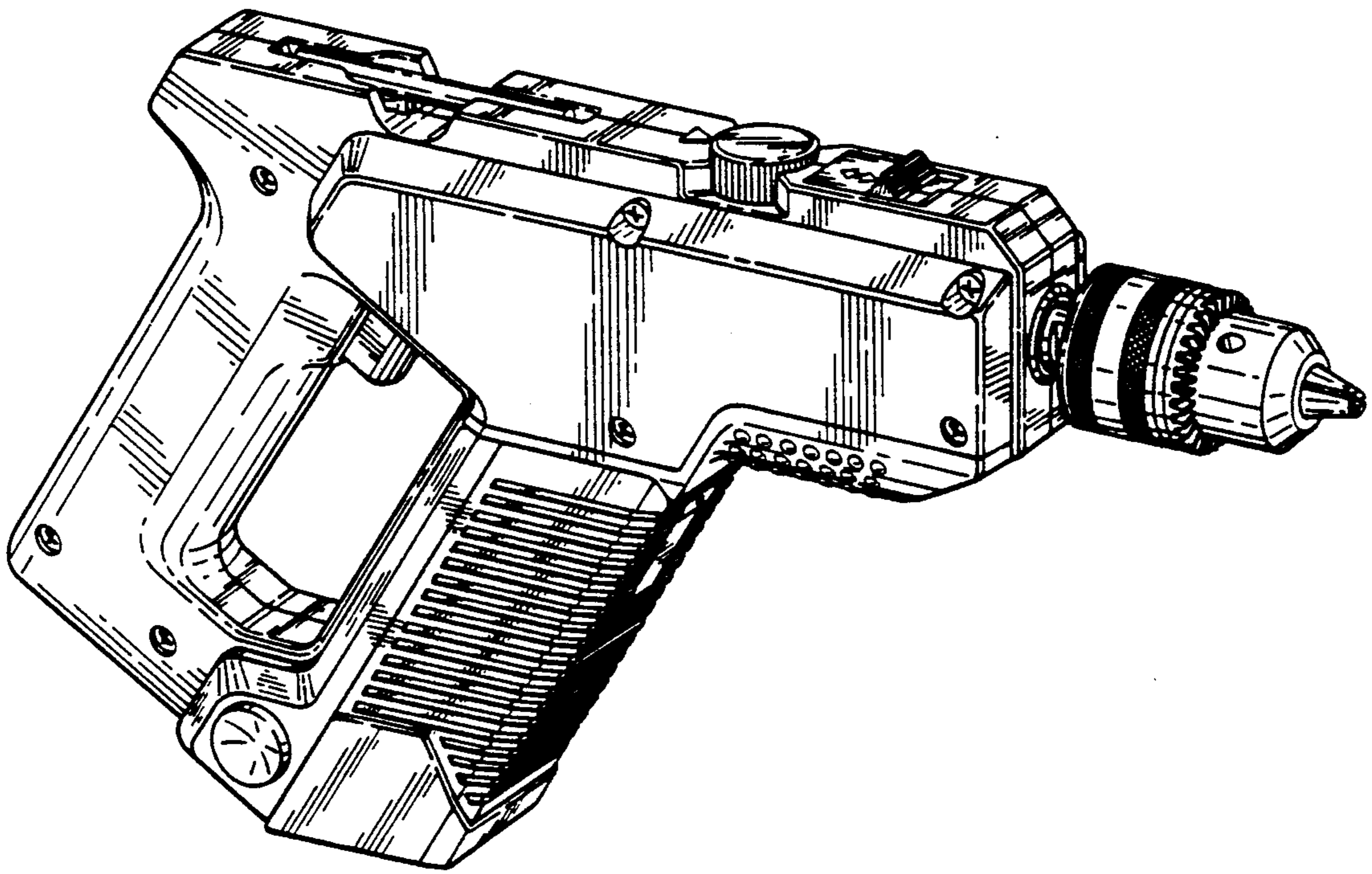


FIG. 1



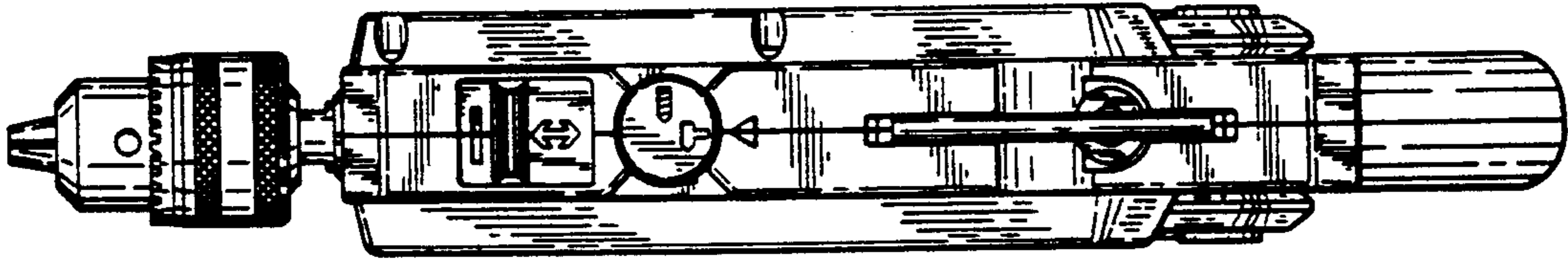


FIG. 2

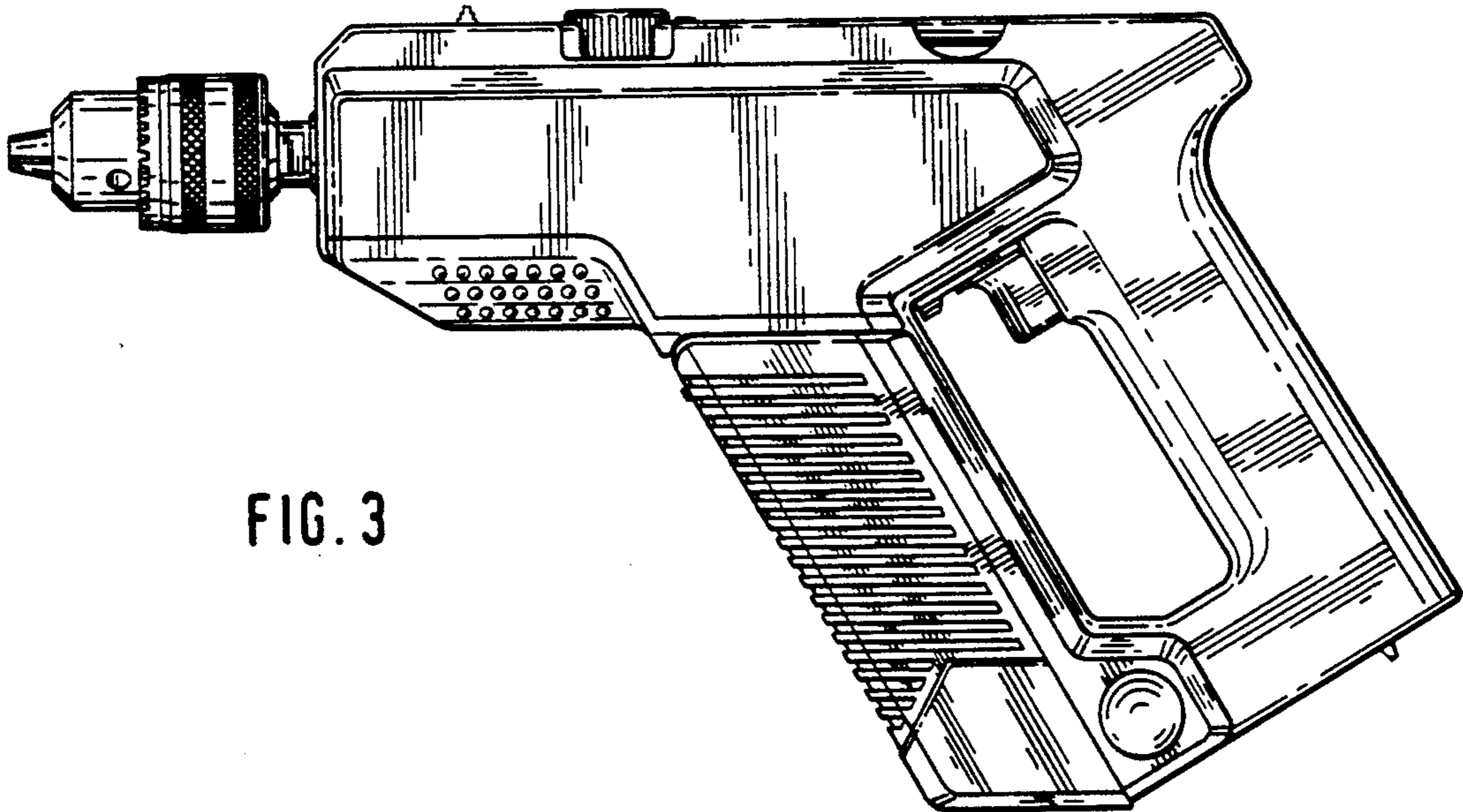


FIG. 3

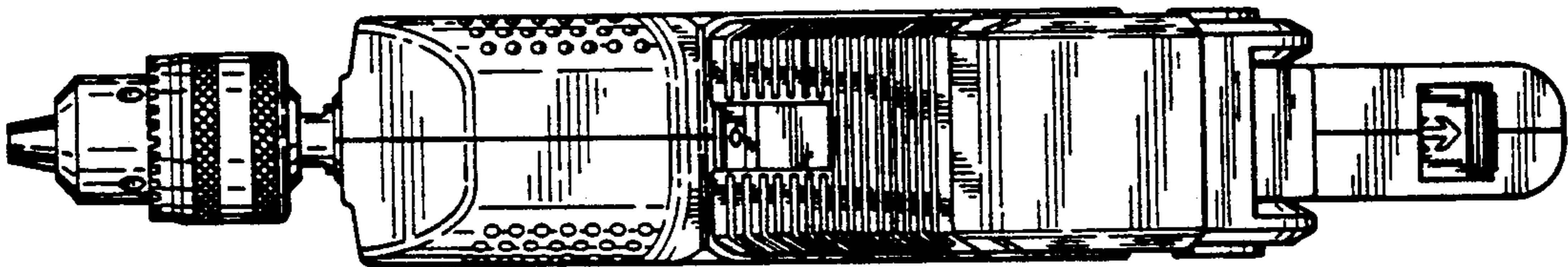


FIG. 4



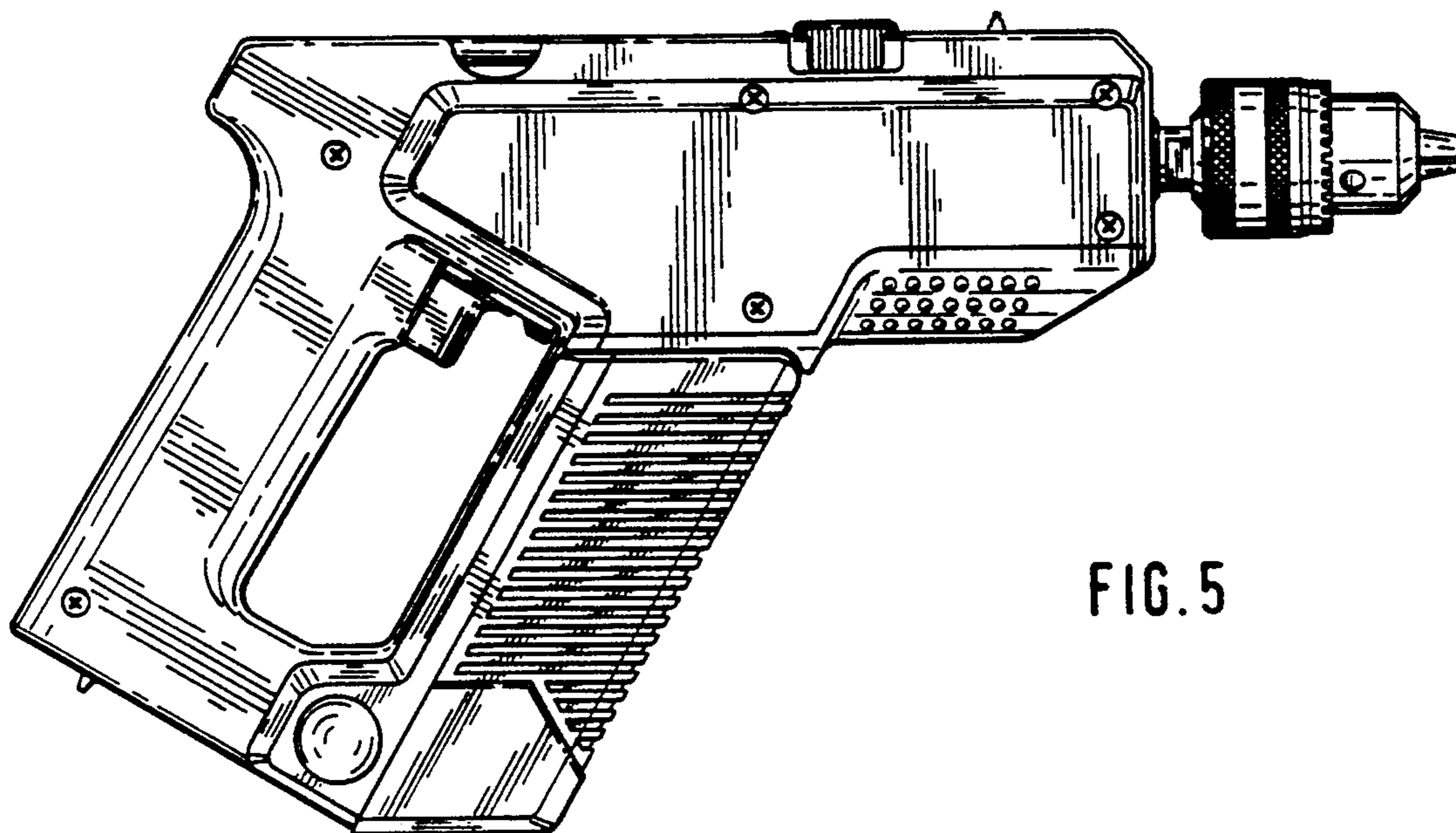


FIG. 5

FIG. 6

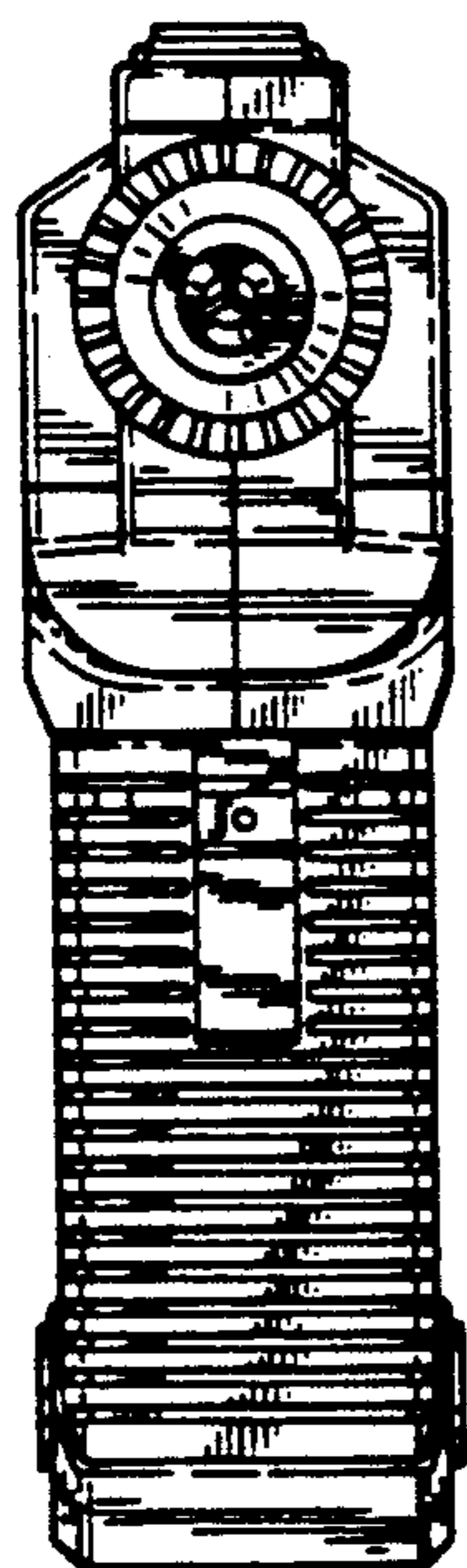


FIG. 7

