



US00D326803S

United States Patent [19]
Reil

[11] **Patent Number: Des. 326,803**

[45] **Date of Patent: ** Jun. 9, 1992**

[54] **TWEEZER**

4,923,234 5/1990 Fairley 294/99.2

[75] **Inventor: Vladimir Reil, Rancho Palos Verdes, Calif.**

[73] **Assignee: Studex, Inc., Harbor City, Calif.**

[**] **Term: 14 Years**

[21] **Appl. No.: 579,986**

[22] **Filed: Sep. 10, 1990**

[52] **U.S. Cl. D8/54**

[58] **Field of Search D8/52, 54; D28/55; 29/758; 81/3.8; 294/99.1, 99.2, 33**

[56] **References Cited**

U.S. PATENT DOCUMENTS

D. 58,208	6/1921	Armstrong	D28/55
D. 92,163	5/1933	Cook	D28/55
D. 292,031	9/1987	Kirkpatrick	D28/55
2,634,728	4/1953	Dale	D28/55
3,291,476	12/1966	Calkin	294/99.2
3,496,807	2/1970	Jone et al.	294/99.2
4,843,753	7/1989	Mace	294/99.2

OTHER PUBLICATIONS

Hunter Tools Cat., 1969, p. 17, tweezers at bottom of page, p. 15, tweezers C-29 and C-30.

Techni Tools, 1963, p. 12, Self Locking Tweezers.

Primary Examiner—Bernard Ansher

Assistant Examiner—Philip Hyder

Attorney, Agent, or Firm—Cislo & Thomas

[57] **CLAIM**

The ornamental design for a tweezer, as shown and described.

DESCRIPTION

FIG. 1 is a perspective view of a tweezer, showing my new design;

FIG. 2 is a left side elevational view thereof;

FIG. 3 is a right side elevational view thereof;

FIG. 4 is a front elevational view thereof;

FIG. 5 is a top plan view thereof; and,

FIG. 6 is a rear elevational view thereof.

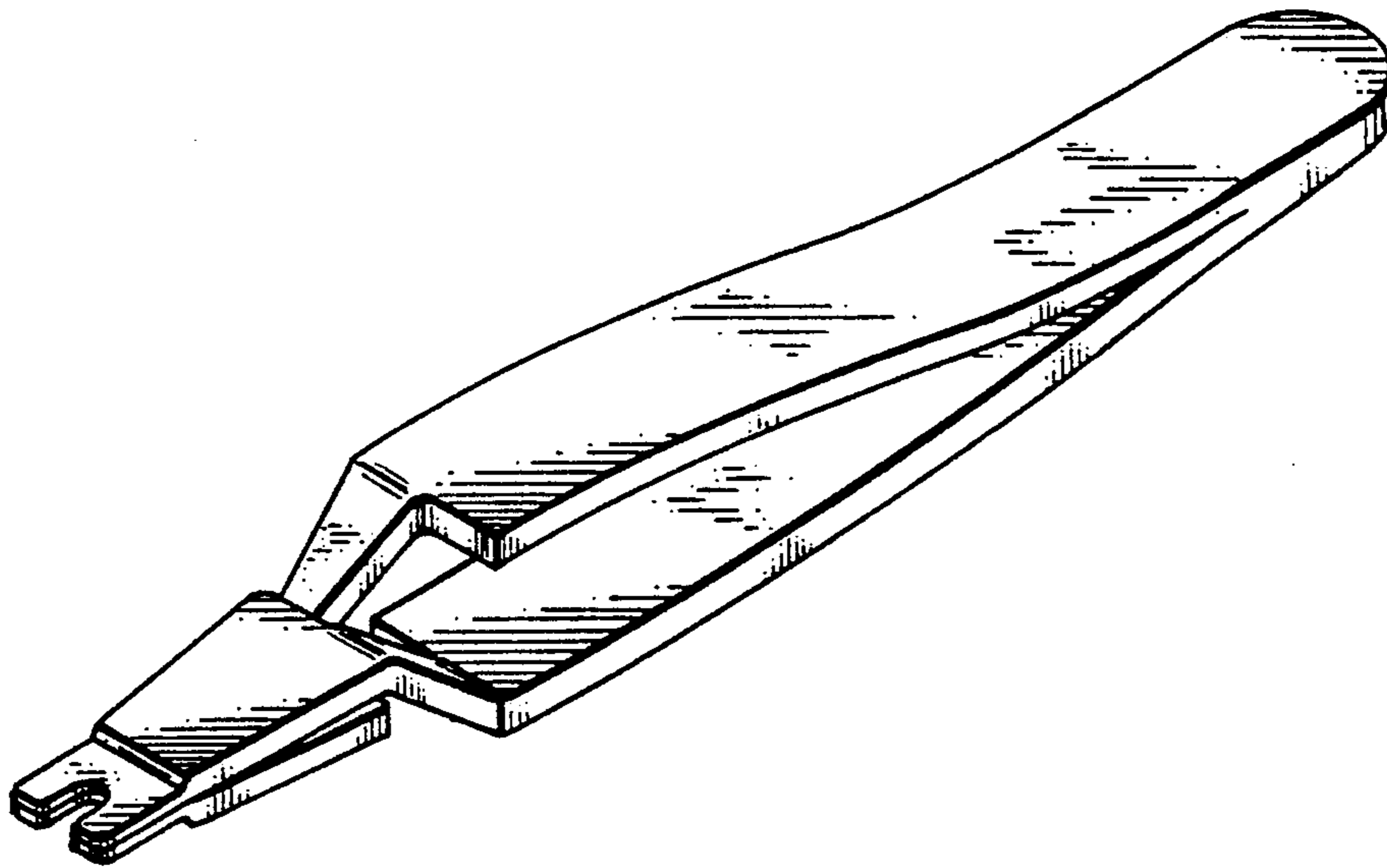


Fig. 1.

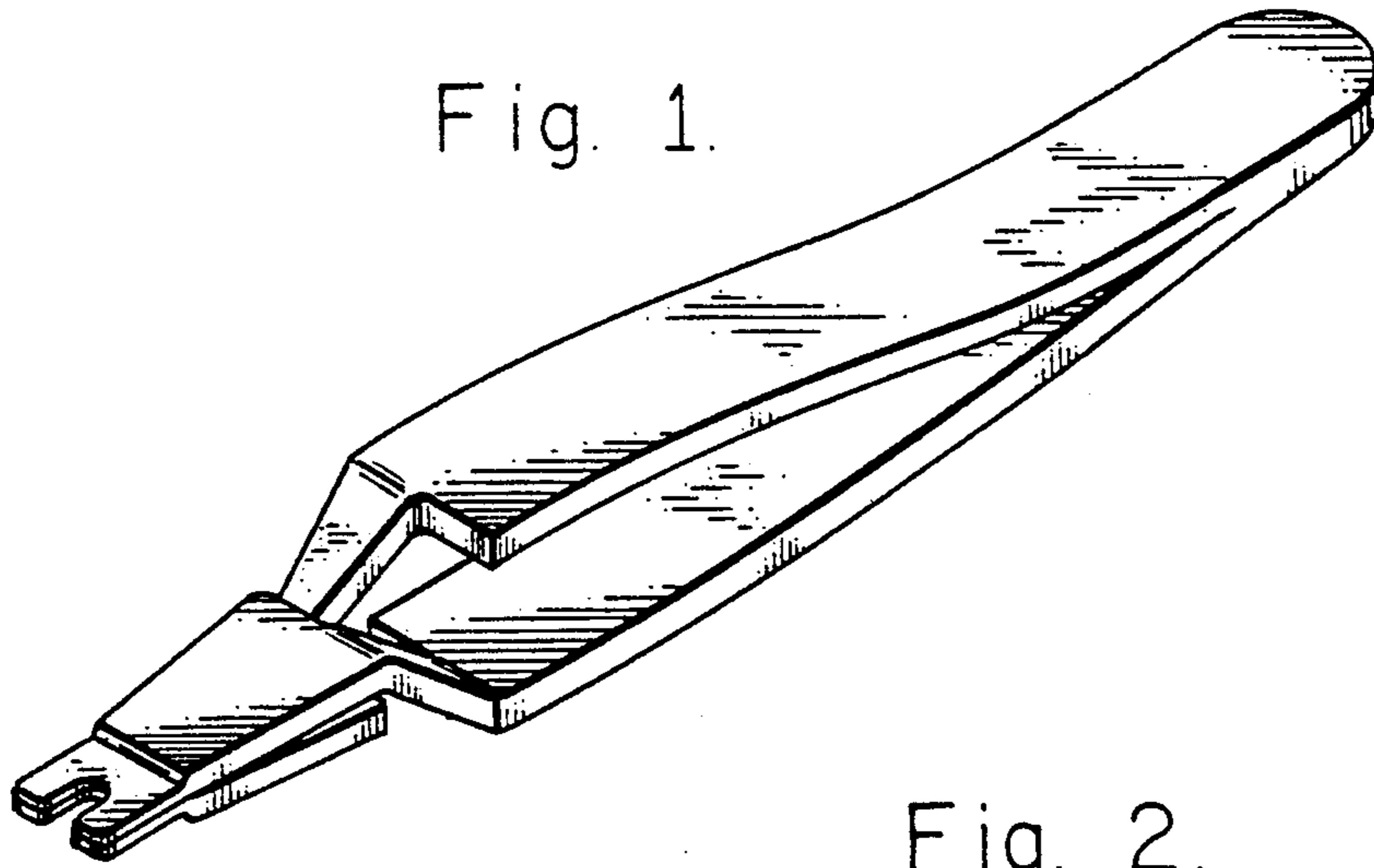


Fig. 2.

Fig. 3.

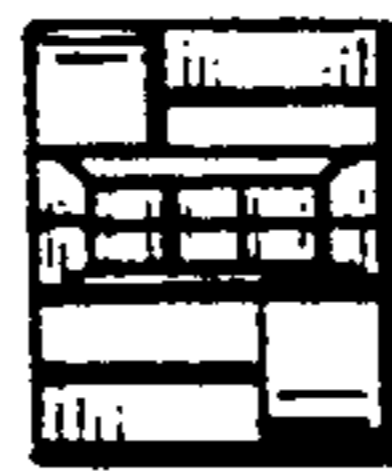


Fig. 4.

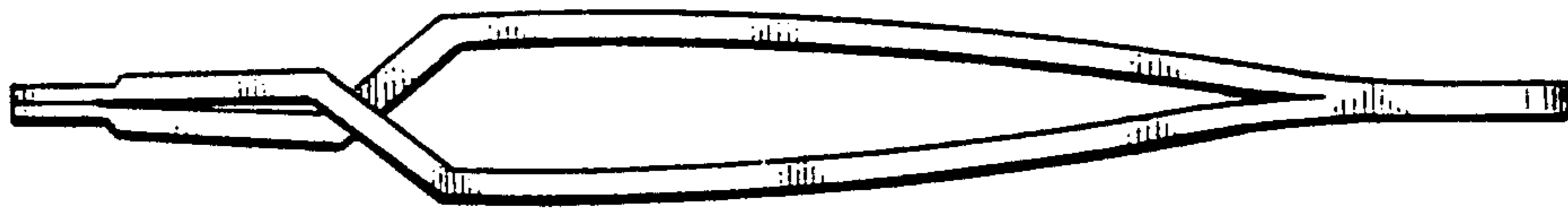


Fig. 5.



Fig. 6.

