



US00D326799S

# United States Patent [19]

[11] Patent Number: **Des. 326,799**

**Vanderzell**

[45] Date of Patent: **\*\* Jun. 9, 1992**

[54] **SERVING TRAY**

[76] Inventor: **Gregory A. Vanderzell, 11311  
Appleton, Redford, Mich. 48239**

[\*\*] Term: **14 Years**

[21] Appl. No.: **400,926**

[22] Filed: **Aug. 30, 1989**

[52] U.S. Cl. .... **D7/549; D7/553**

[58] Field of Search ..... **D7/549-554;  
220/427, 500, 507, 575; 294/172**

[56] **References Cited**

**U.S. PATENT DOCUMENTS**

D. 87,682	8/1932	Porter .....	D7/543
D. 145,764	10/1946	Zelov .....	D7/549
D. 147,543	9/1947	Farmer .....	D7/549
D. 174,479	4/1955	Bosch .....	D7/549
D. 186,901	12/1959	Hansen .....	D7/544
D. 201,696	7/1965	Zorn .....	D7/549
2,295,860	9/1942	Oliver .....	294/172

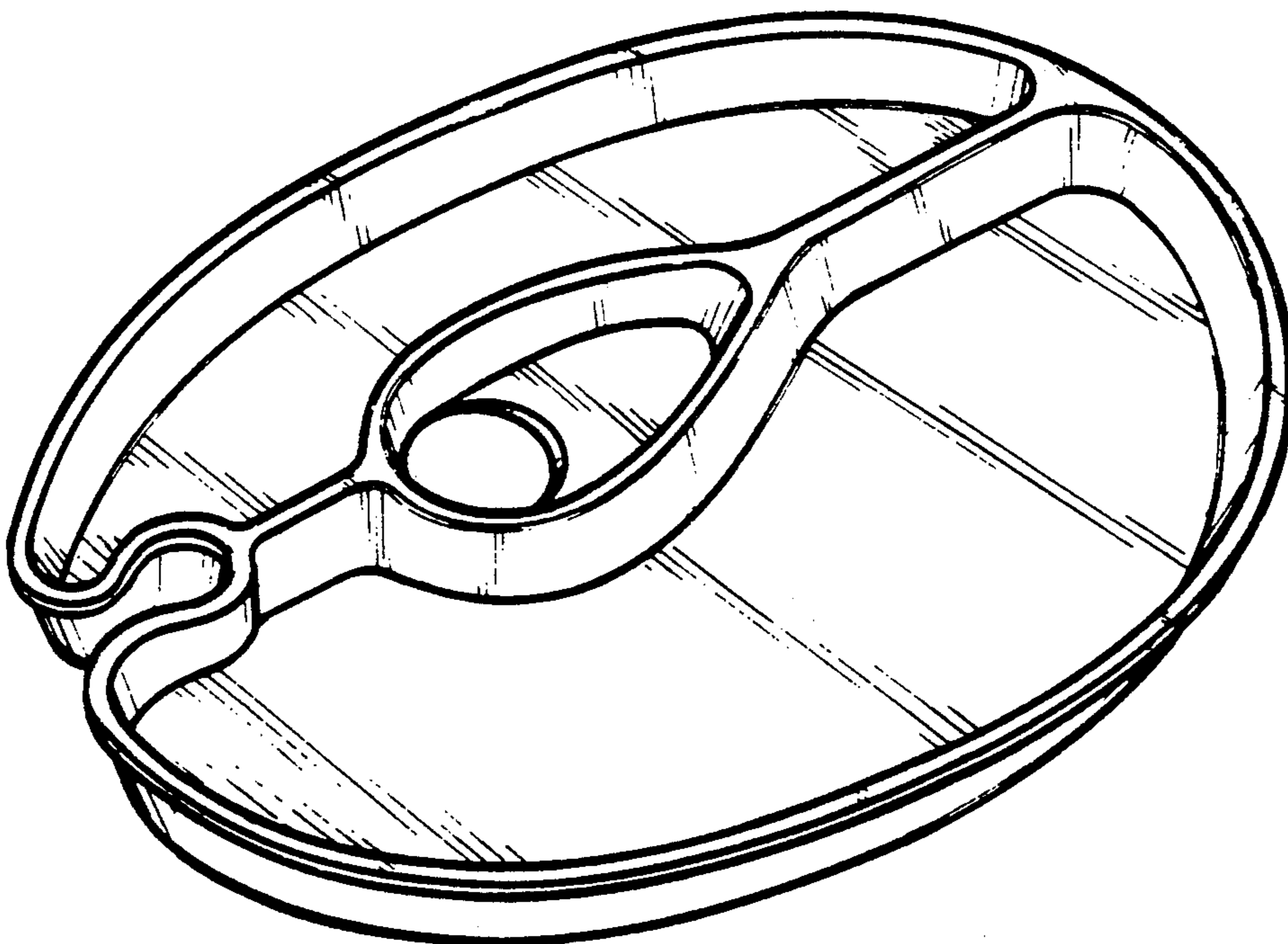
*Primary Examiner*—Nelson C. Holtje  
*Assistant Examiner*—Caron D. Veynar  
*Attorney, Agent, or Firm*—Brooks & Kushman

[57] **CLAIM**

The ornamental design for a serving tray, as shown.

**DESCRIPTION**

FIG. 1 is a left, front and top perspective view of a serving tray showing my new design;  
FIG. 2 is a top plan view;  
FIG. 3 is a front elevational view;  
FIG. 4 is a bottom plan view;  
FIG. 5 is a left side elevational view;  
FIG. 6 is a right side elevational view;  
FIG. 7 is a rear elevational view;  
FIG. 8 is a cross sectional view taken along line 8—8 of FIG. 2;  
FIG. 9 is a cross sectional view taken along line 9—9 in FIG. 2; and,  
FIG. 10 is a cross sectional view taken along line 10—10 in FIG. 2.



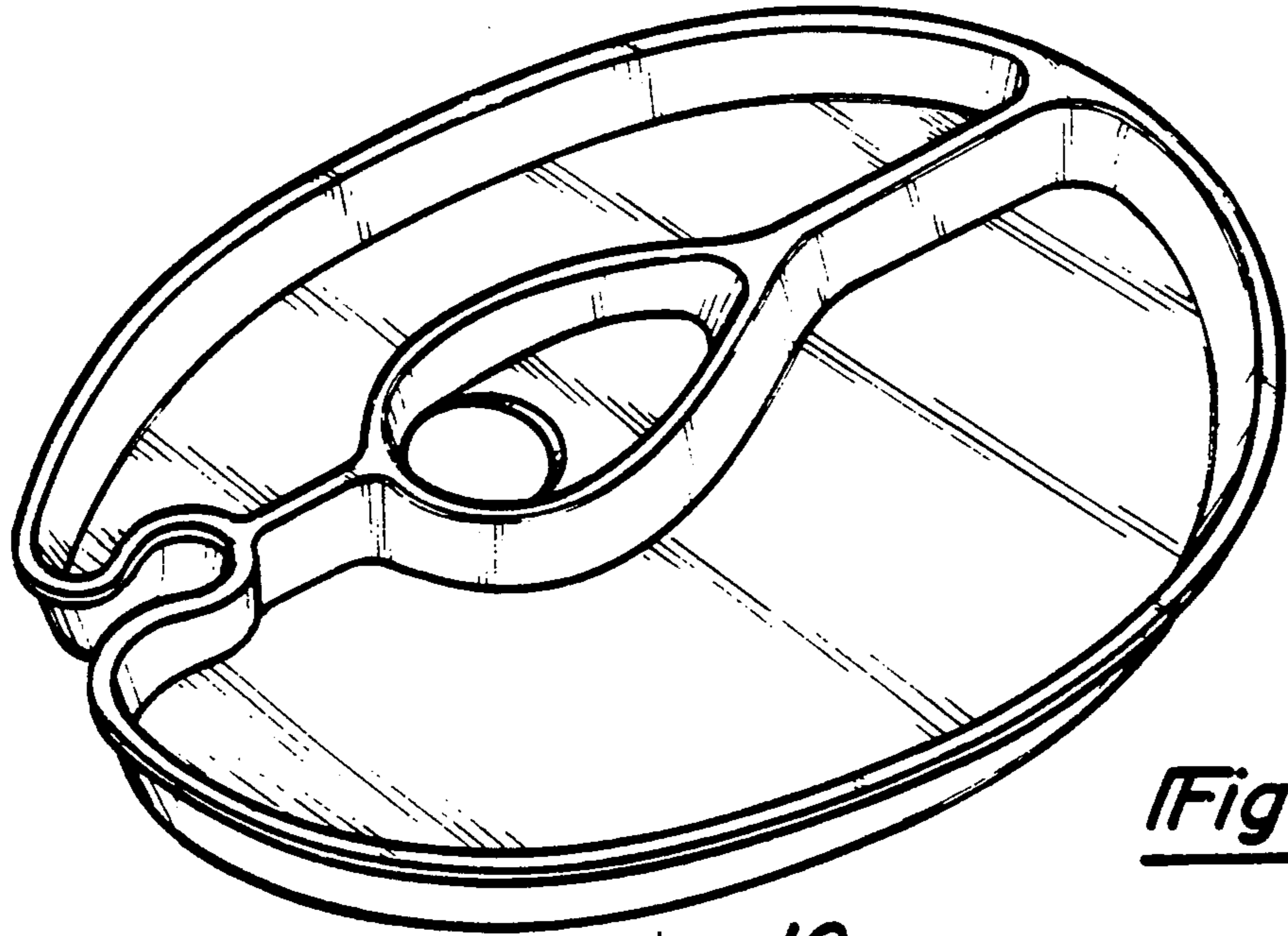


Fig-1

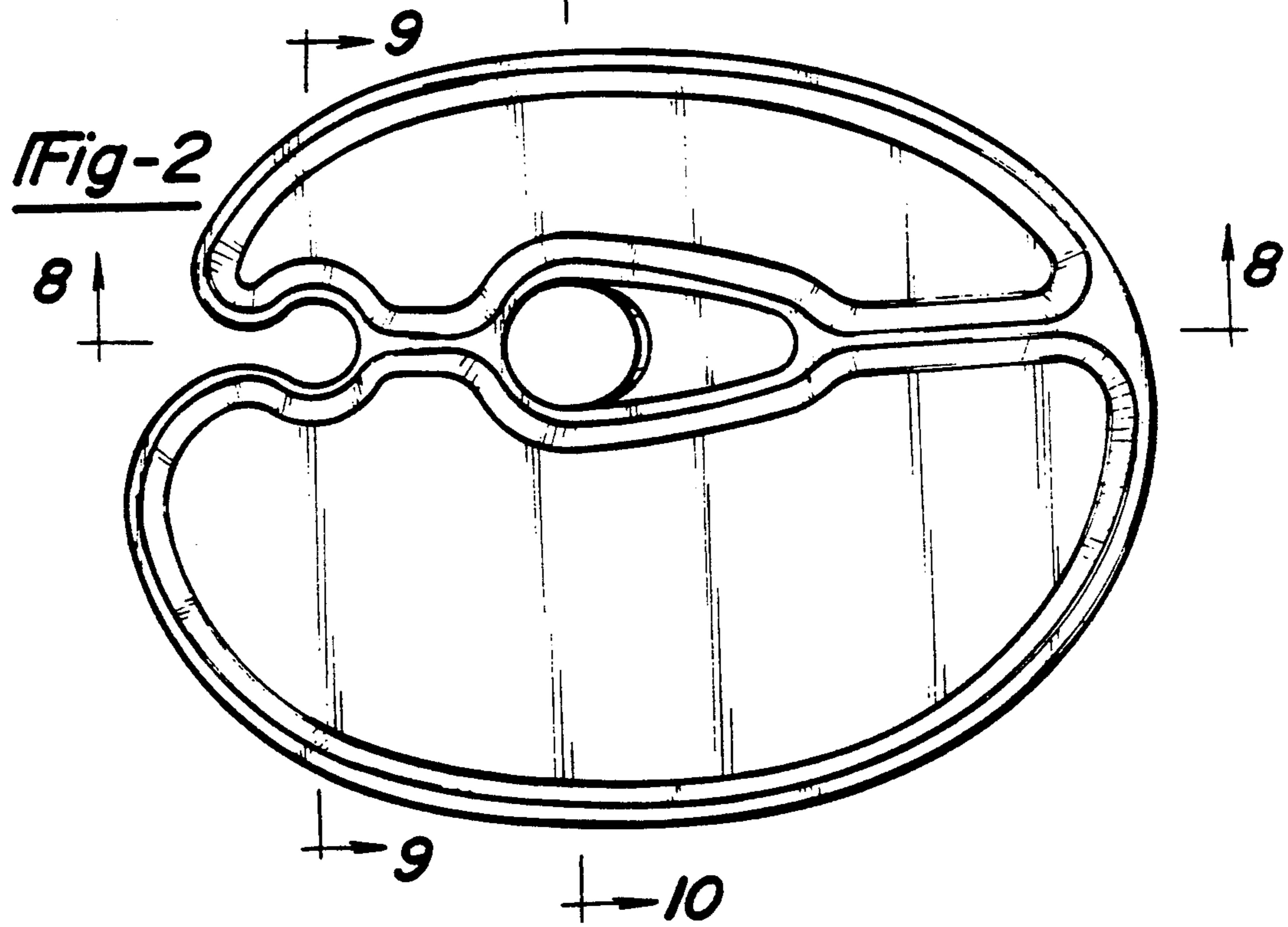


Fig-2

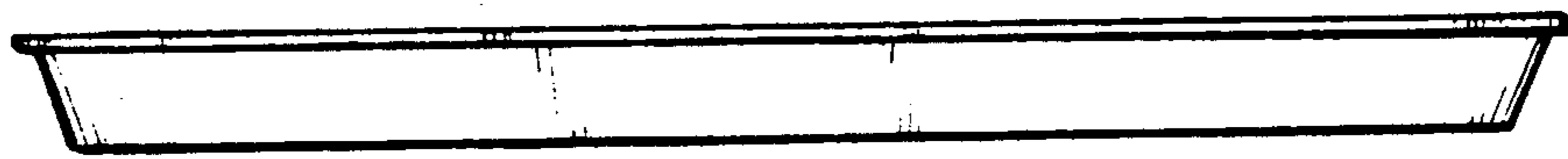


Fig-3

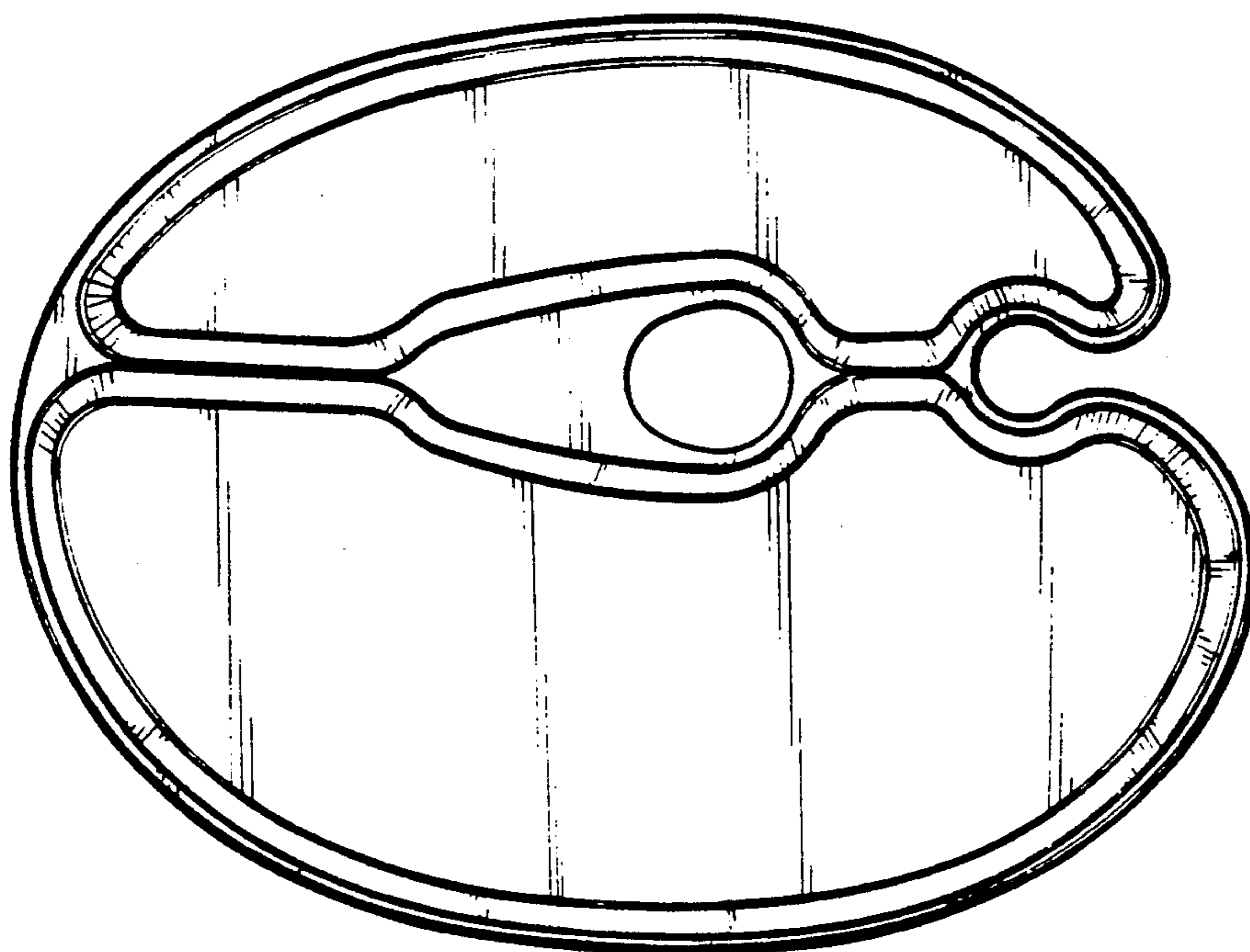


Fig-4



Fig-5



Fig-6

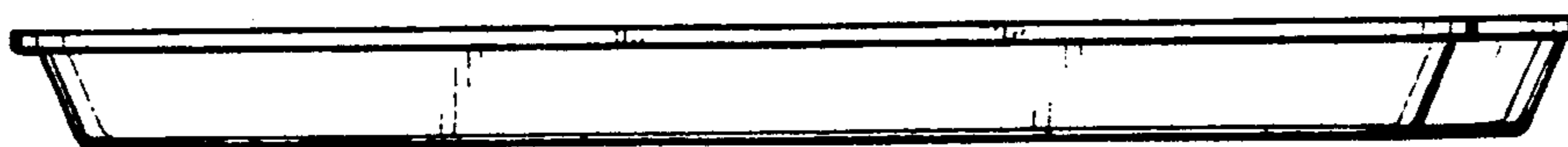


Fig-7



Fig-8



Fig-9



Fig-10