



US00D326798S

United States Patent [19]

Grossman et al.

[11] Patent Number: **Des. 326,798**

[45] Date of Patent: **** Jun. 9, 1992**

[54] LAP TRAY

[76] Inventors: **Alan Grossman**, 22020 Galvez St.;
Neal Grossman, 22029 Alizondo Dr.,
both of Woodland Hills, Calif. 91364

[**] Term: **14 Years**

[21] Appl. No.: **467,751**

[22] Filed: **Jan. 16, 1990**

[52] U.S. Cl. **D7/549; D7/553**

[58] Field of Search **D7/549-554;**
220/427, 500, 507, 575; 294/172

[56] **References Cited**

U.S. PATENT DOCUMENTS

- D. 60,424 2/1922 Pecoraro D7/553
- D. 88,285 11/1932 Blenker D7/554

- D. 250,315 11/1978 Otto D7/541
- 529,526 11/1894 Gaskill 220/575 X
- 3,938,688 2/1976 Ryan D7/541 X

Primary Examiner—Nelson C. Holtje
Assistant Examiner—Caron D. Veynar

[57] **CLAIM**

The ornamental design for a lap tray, as shown and described.

DESCRIPTION

FIG. 1 is a left, front and top perspective view of a lap tray showing our new design;
FIG. 2 is a top plan view;
FIG. 3 is a front elevational view;
FIG. 4 is a right side elevational view;
FIG. 5 is a rear elevational view; and,
FIG. 6 is a bottom plan view.

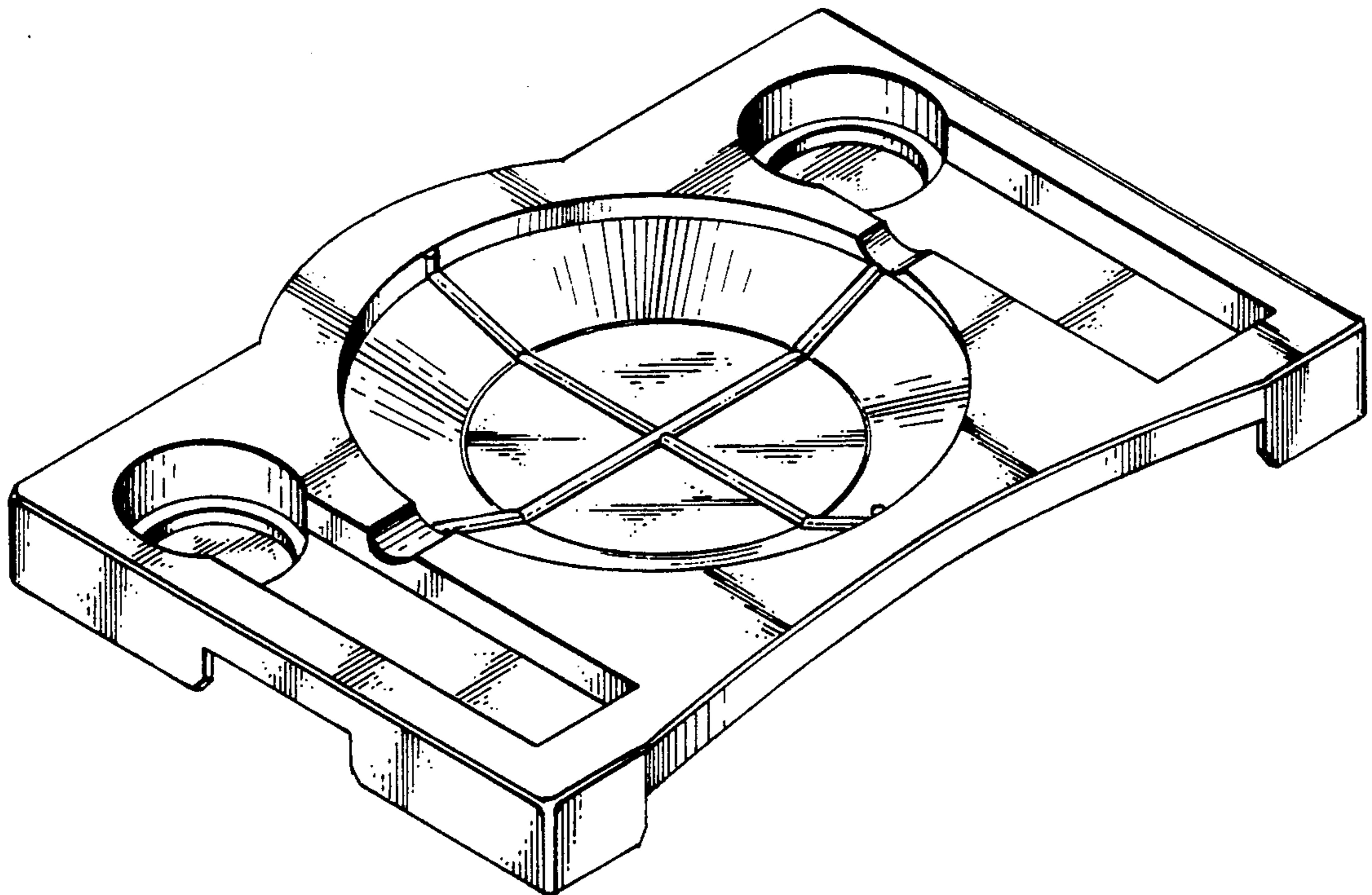


FIG. 1

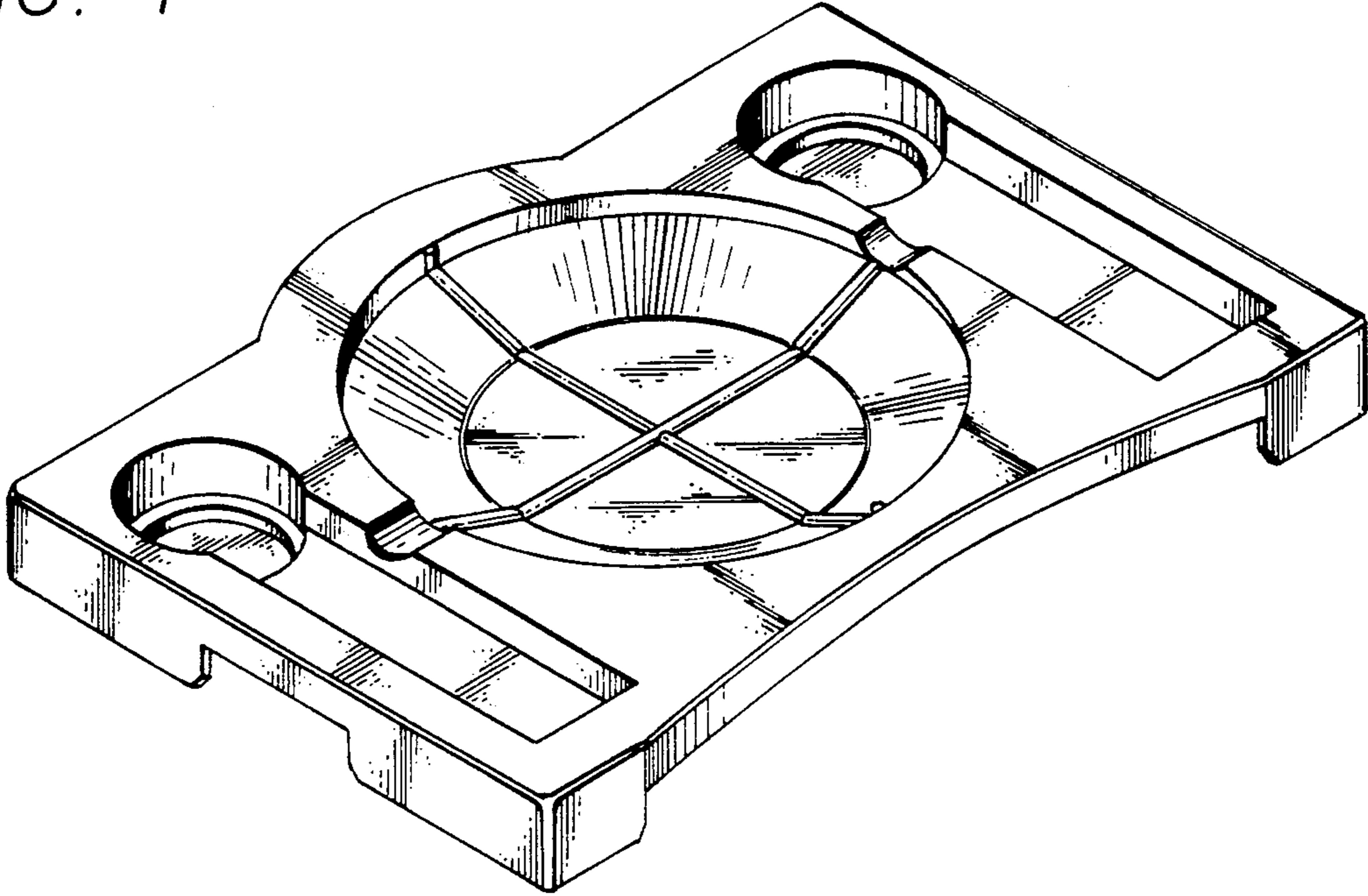


FIG. 2

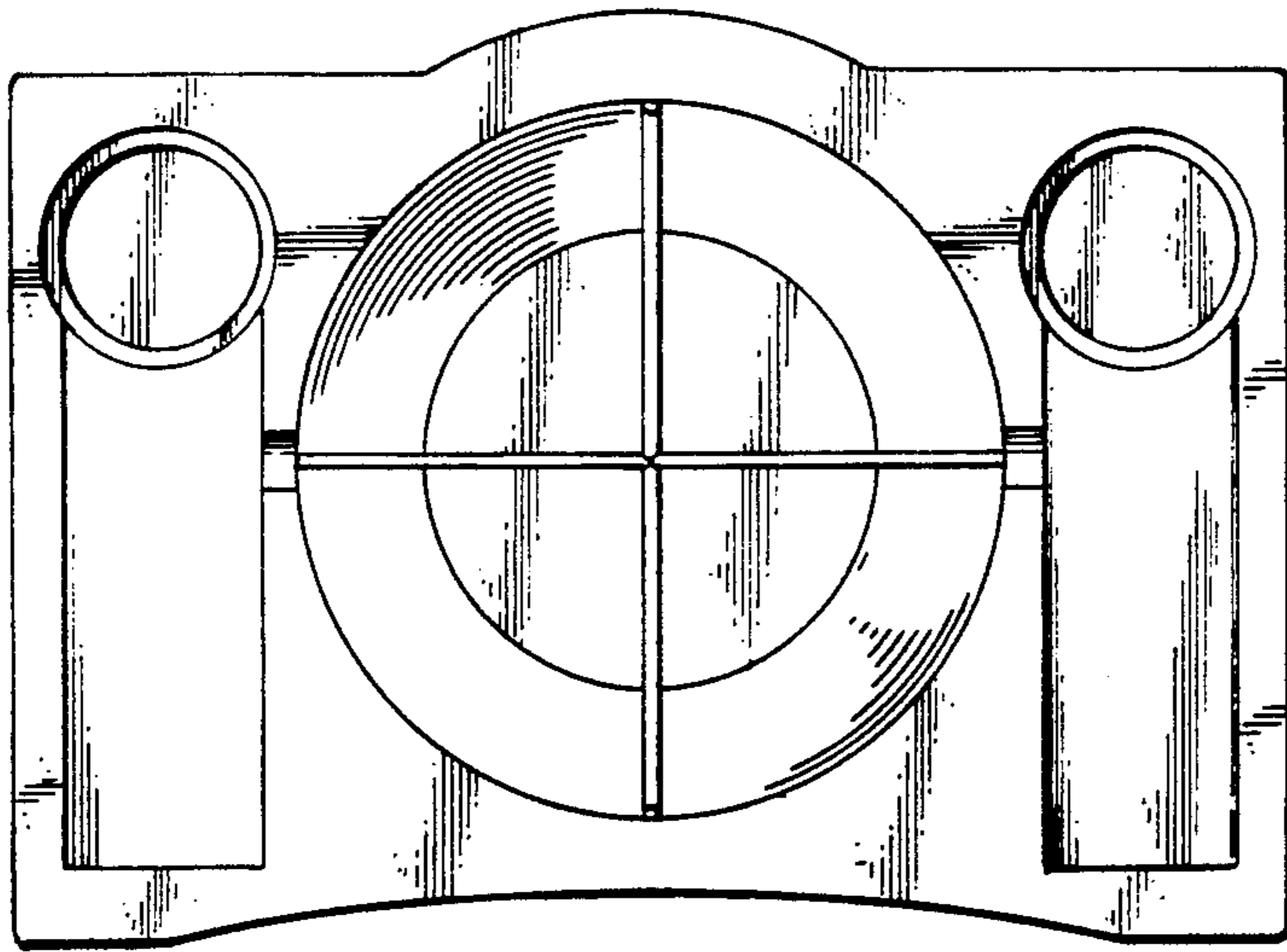


FIG. 3

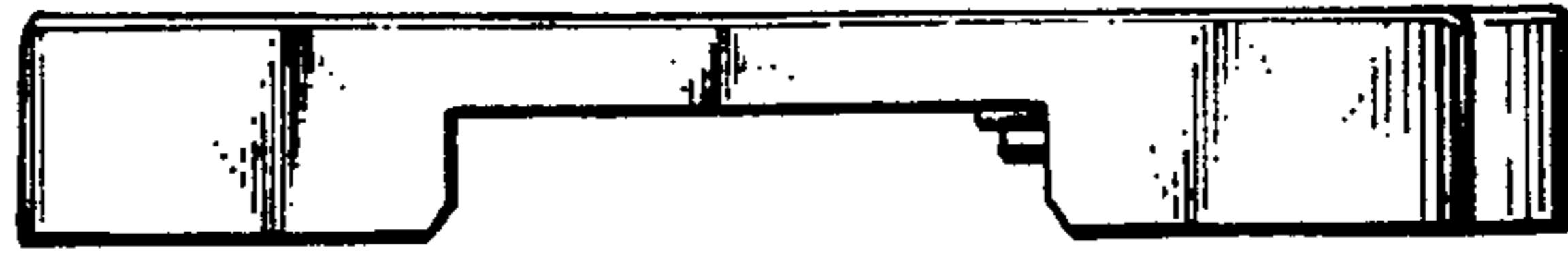


FIG. 4

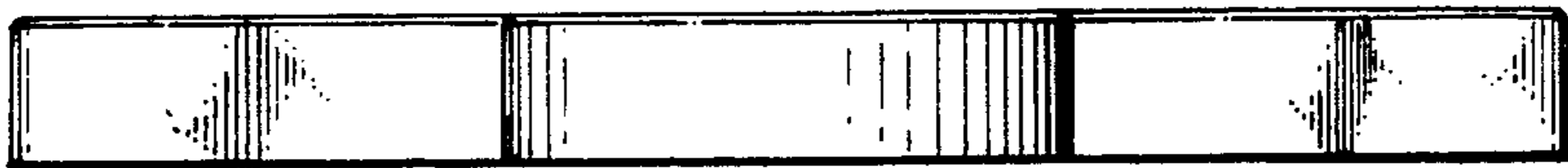


FIG. 5

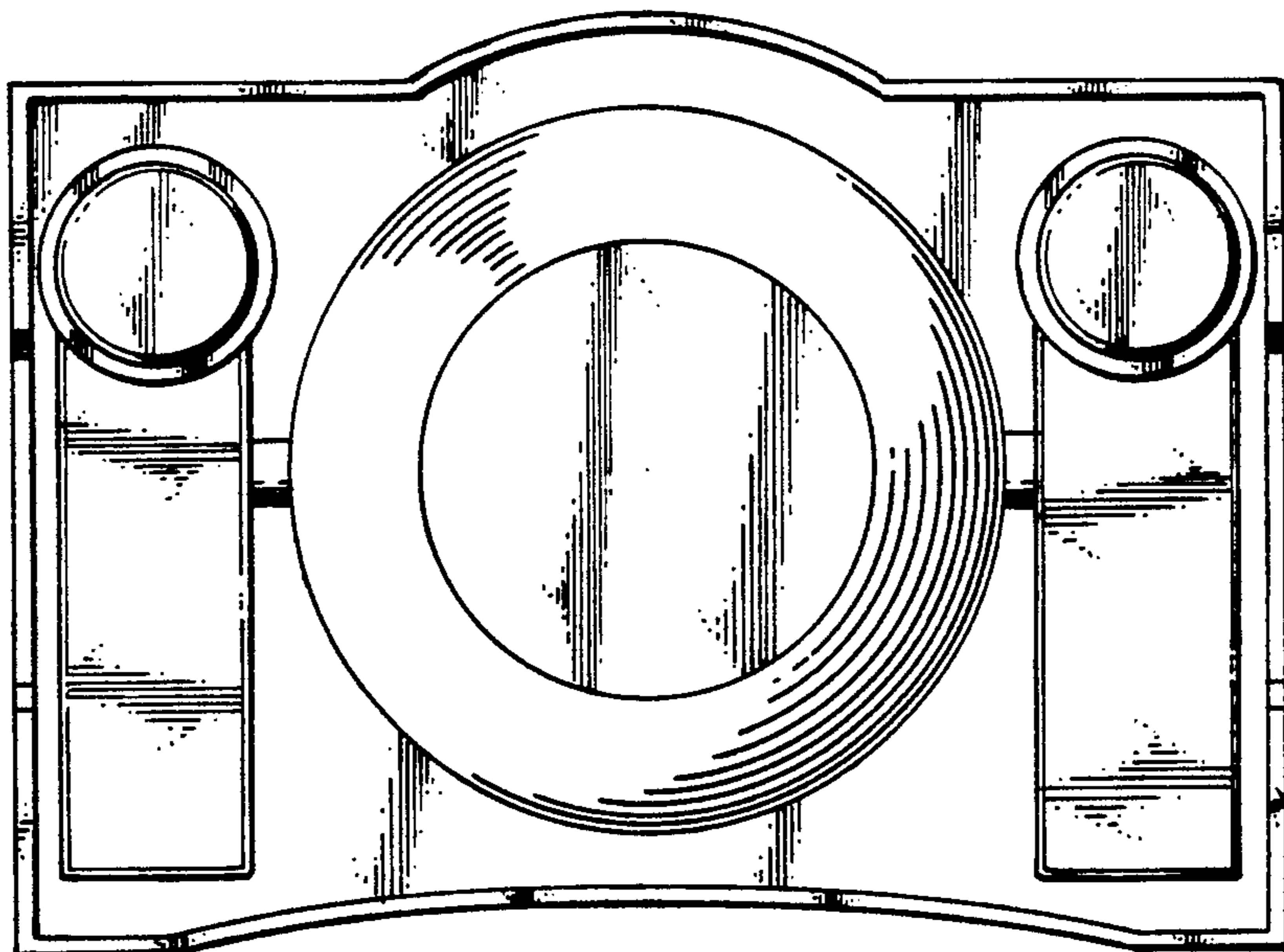


FIG. 6