



US00D326796S

United States Patent [19]

[11] Patent Number: **Des. 326,796**

Kawano

[45] Date of Patent: **** Jun. 9, 1992**

[54] **INFANT'S DRINKING CUP**

1,375,917	4/1921	Paugh	215/11.6 X
4,448,316	5/1984	Hiroshige	220/90.2 X
4,494,668	1/1985	Lottick	220/90.2 X
4,852,762	8/1989	Chou-Sheng	220/90.2

[75] Inventor: **Yusuke Kawano**, Tokyo, Japan

[73] Assignee: **Pigeon Co., Ltd.**, Tokyo, Japan

[**] Term: **14 Years**

Primary Examiner—Nelson C. Holtie
Assistant Examiner—Caron D. Veynar
Attorney, Agent, or Firm—Wenderoth, Lind & Ponack

[21] Appl. No.: **323,791**

[57] **CLAIM**

[22] Filed: **Mar. 15, 1989**

The ornamental design for the infant's drinking cup, as shown and described.

[30] **Foreign Application Priority Data**

DESCRIPTION

Sep. 16, 1988 [JP] Japan 63-36273

[52] U.S. Cl. **D7/510; D7/511; D7/534**

[58] **Field of Search** D7/509, 397, 510, 511, D7/534, 533, 536; 220/90.2, 90.4, 94 A; 215/11.5, 11.6, 1 A, DIG. 7; D24/197, 198

FIG. 1 is a top, front and right side perspective view of an infant's drinking cup showing my new design; FIG. 2 is a front elevational view thereof; FIG. 3 is a rear elevational view thereof; FIG. 4 is a right side elevational view thereof, the left side elevation being a mirror image; FIG. 5 is a top plan view thereof; FIG. 6 is a bottom plan view thereof; and, FIG. 7 is a cross-sectional view along line A—A of FIG. 2.

[56] **References Cited**

U.S. PATENT DOCUMENTS

D. 96,628	8/1935	Shapiro	D7/397
D. 316,652	5/1991	Hunter	D7/510

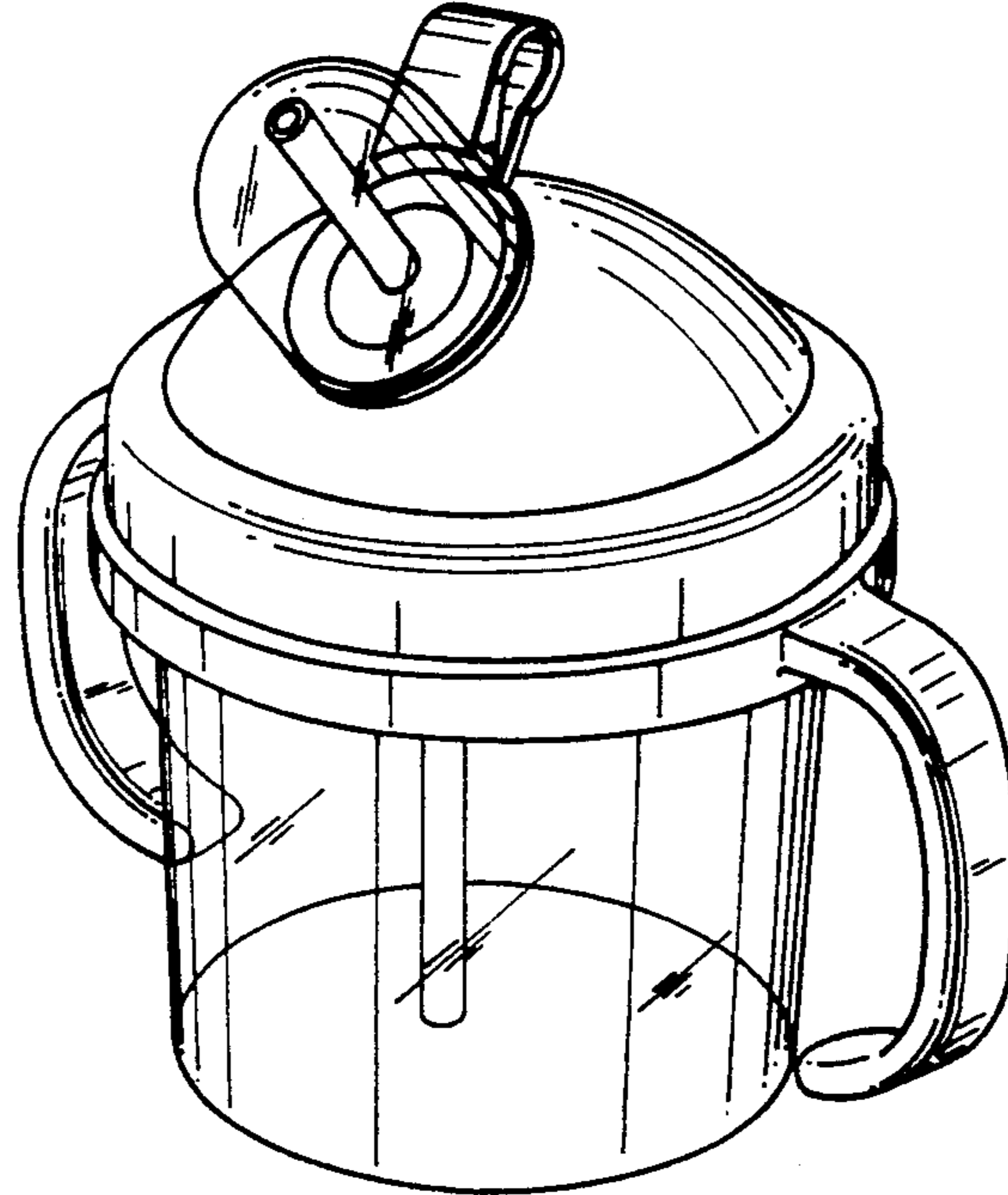


FIG. 1

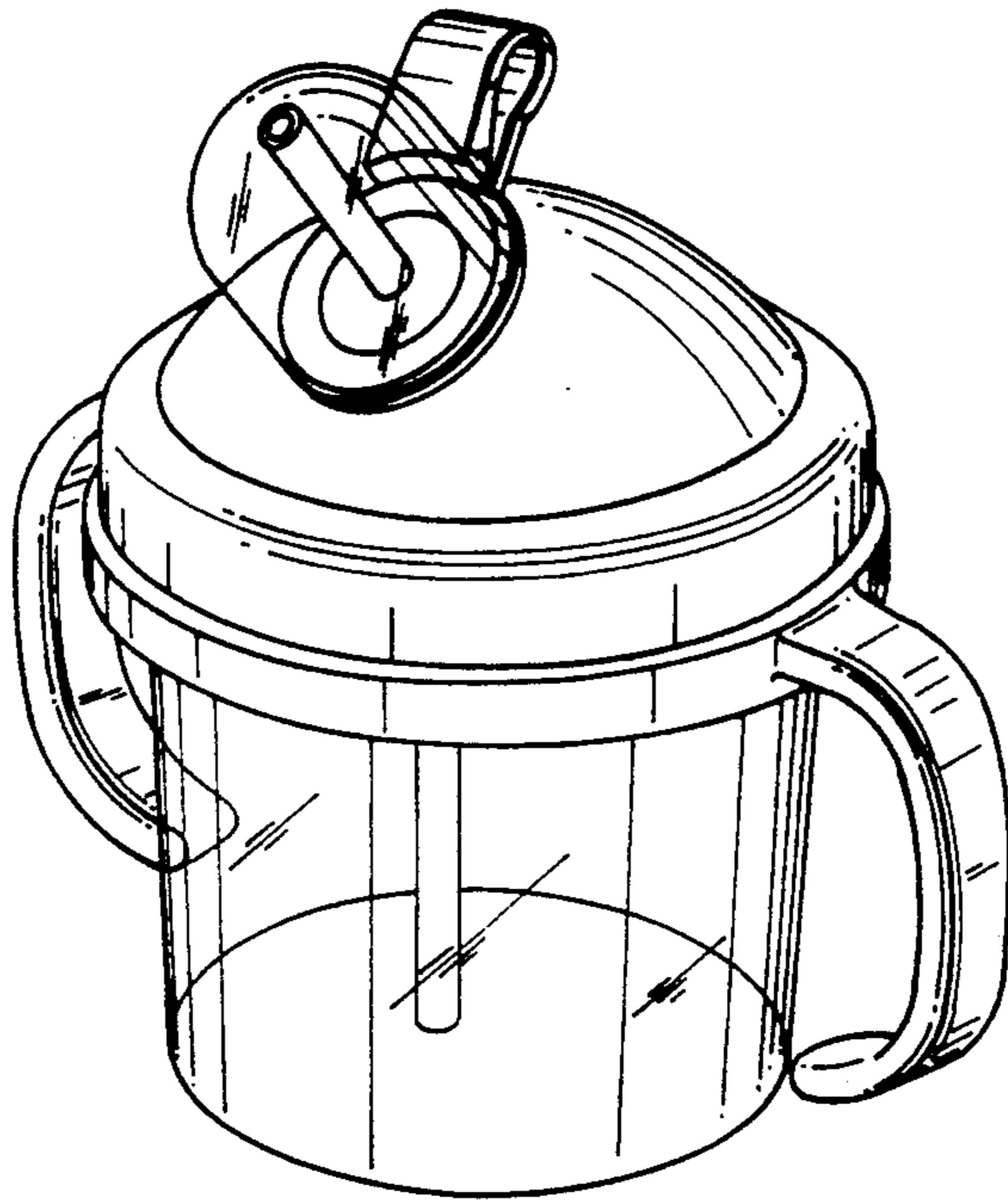


FIG. 3

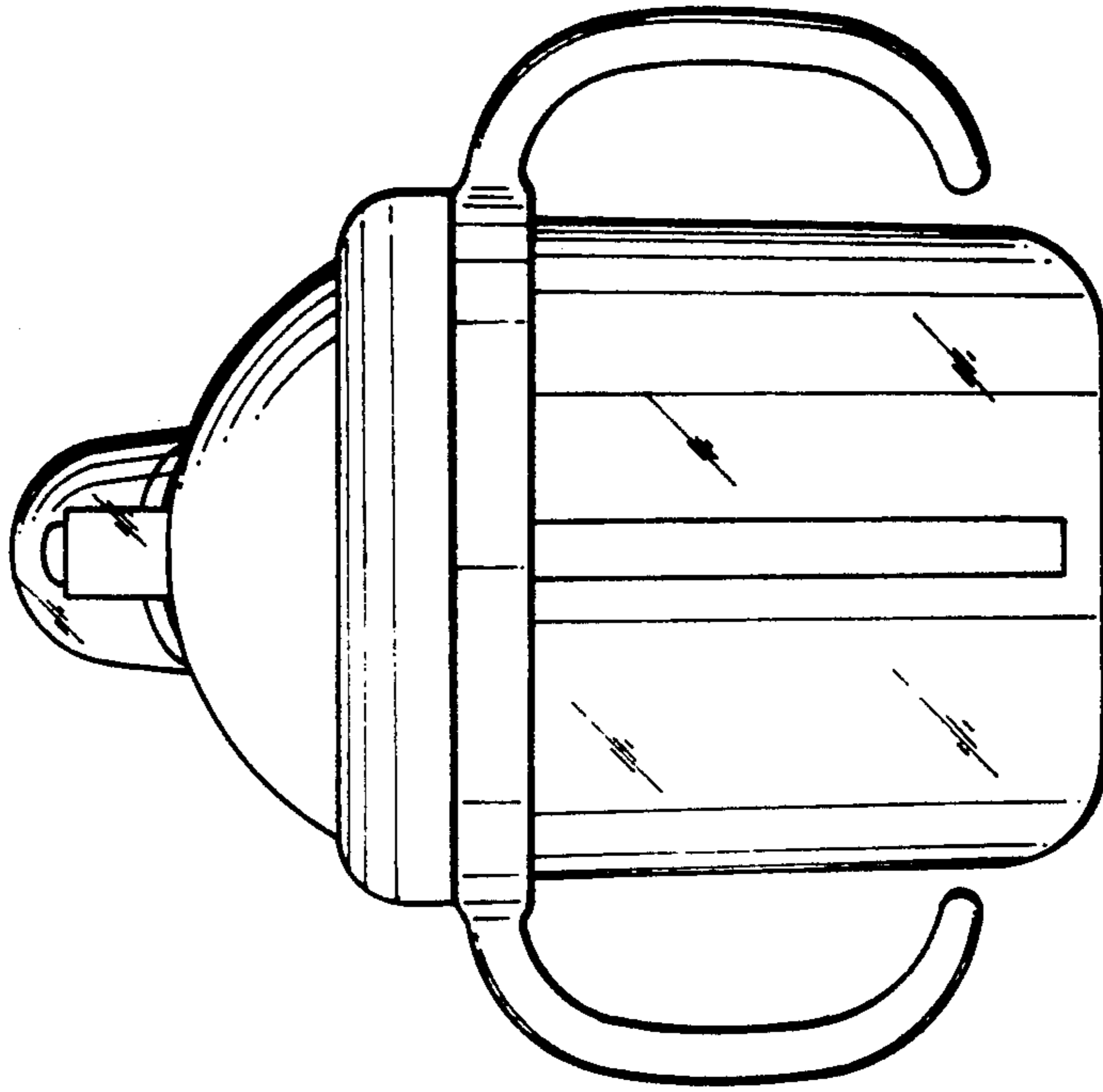


FIG. 2

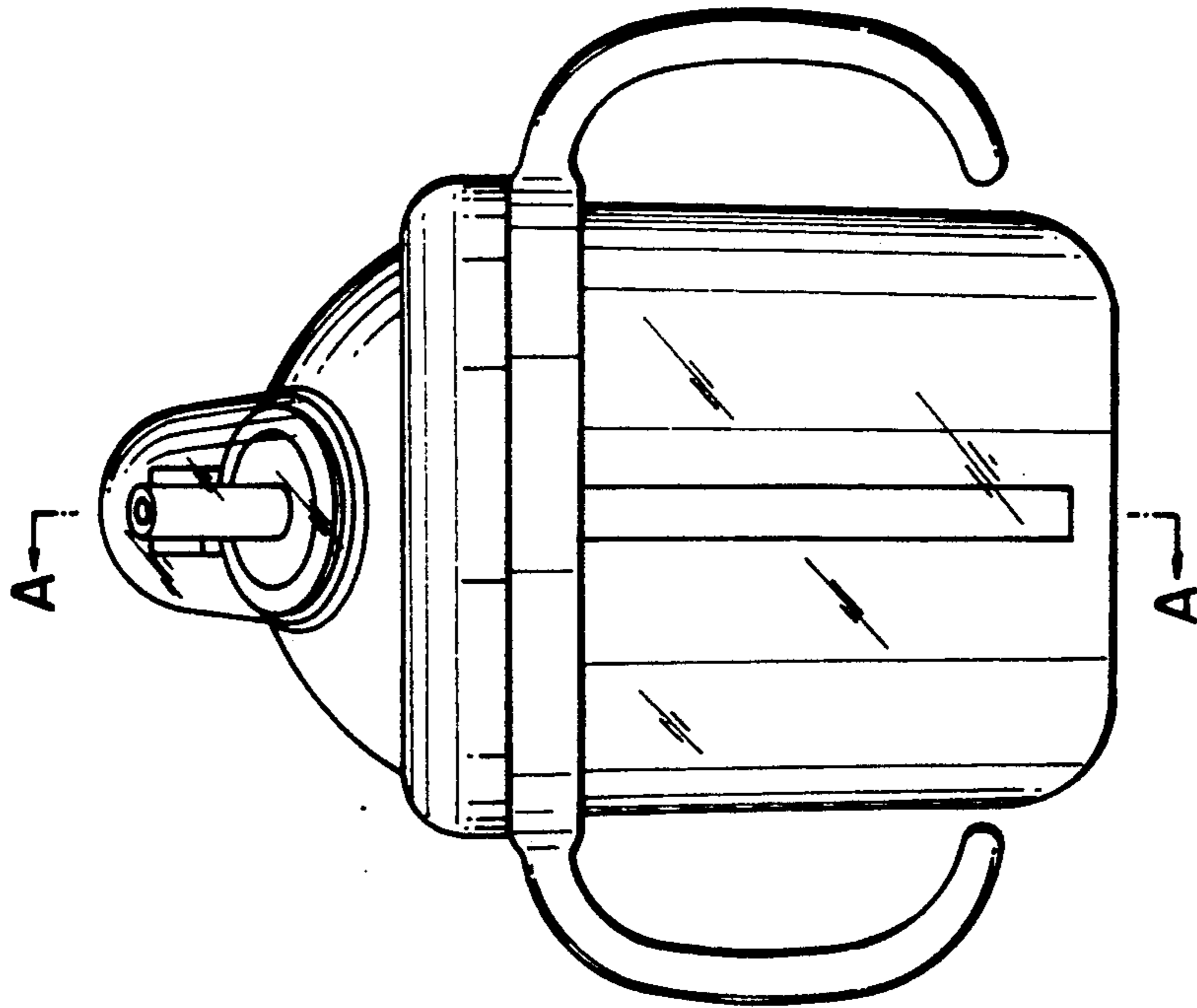


FIG. 4

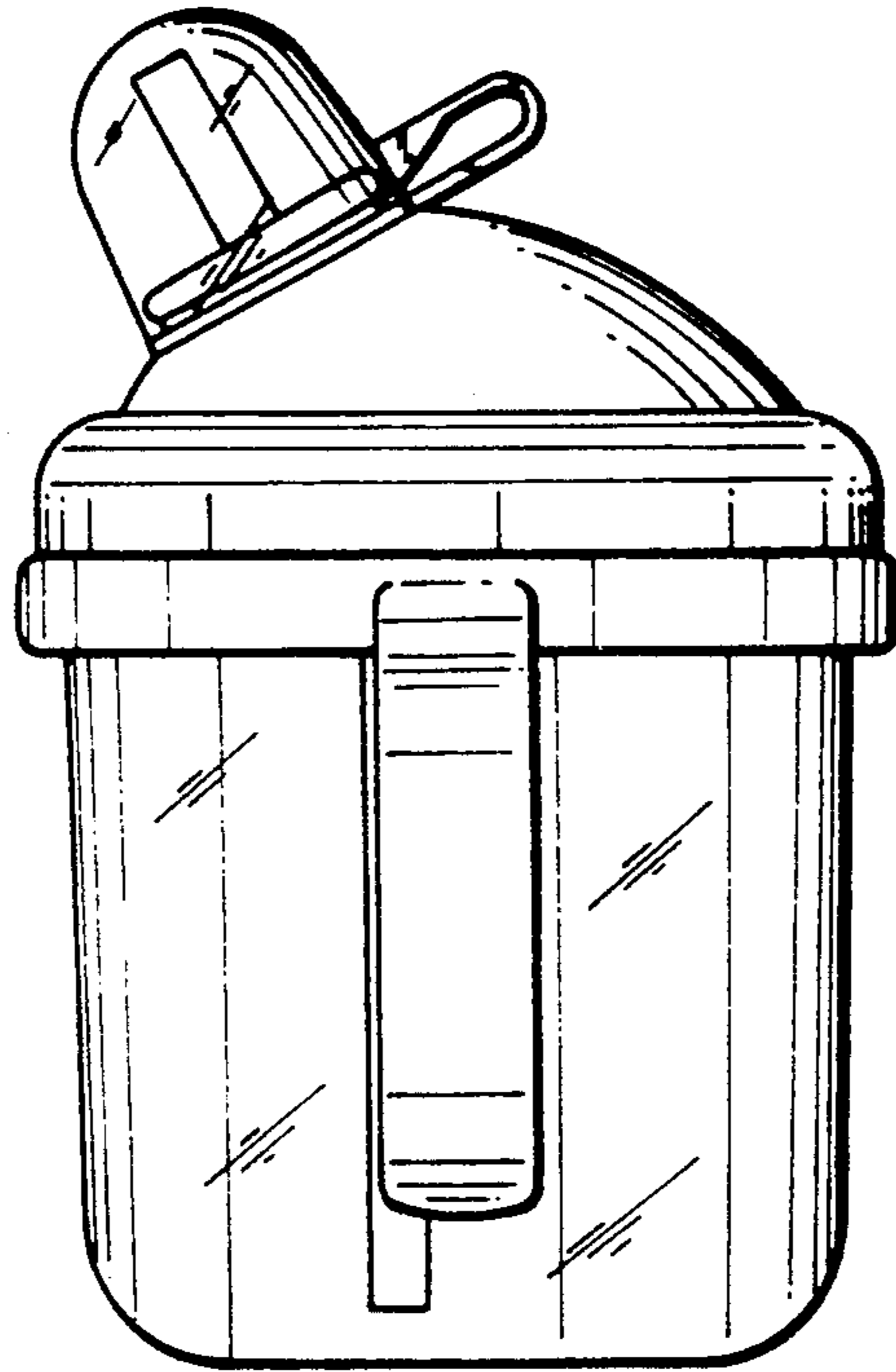


FIG. 5

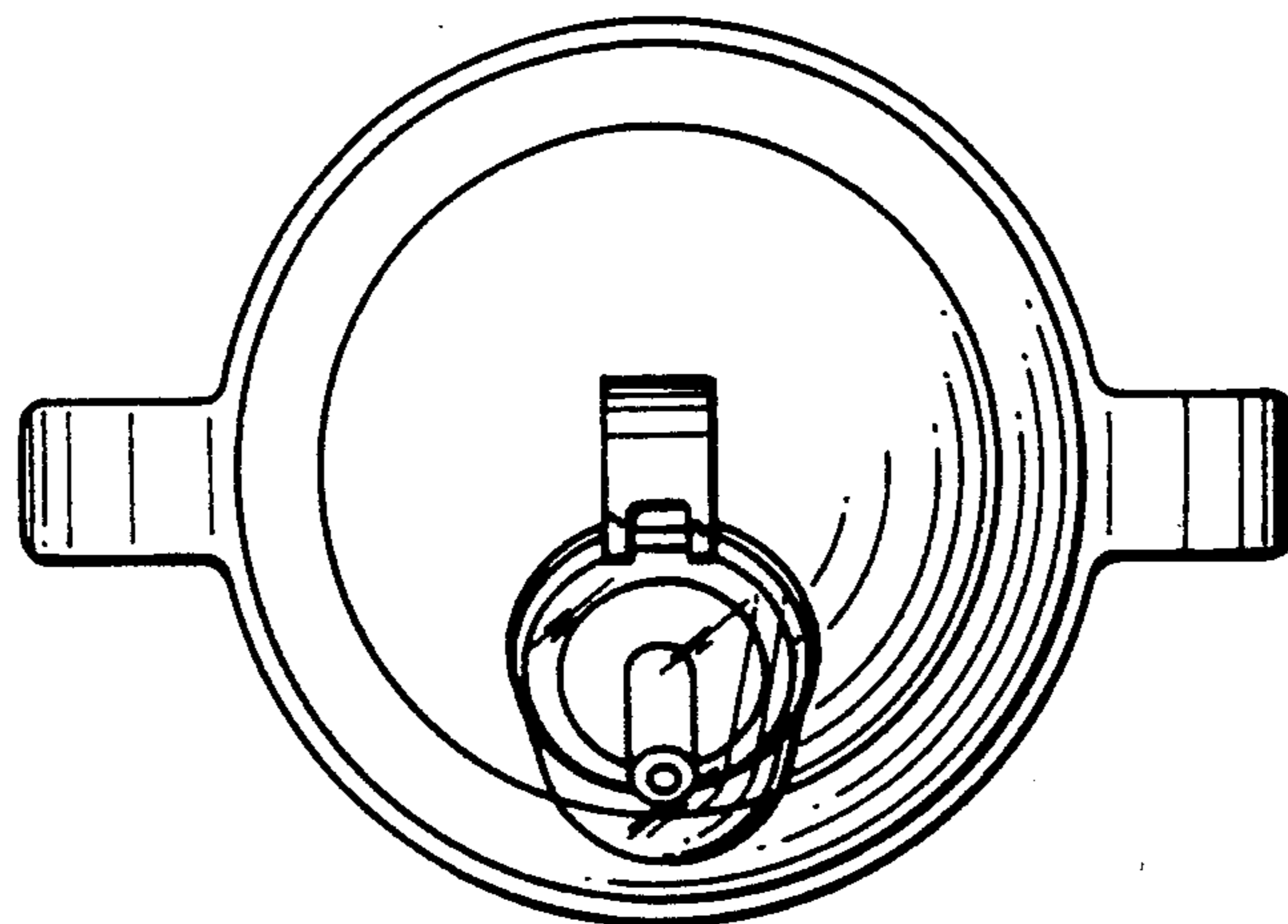


FIG. 6

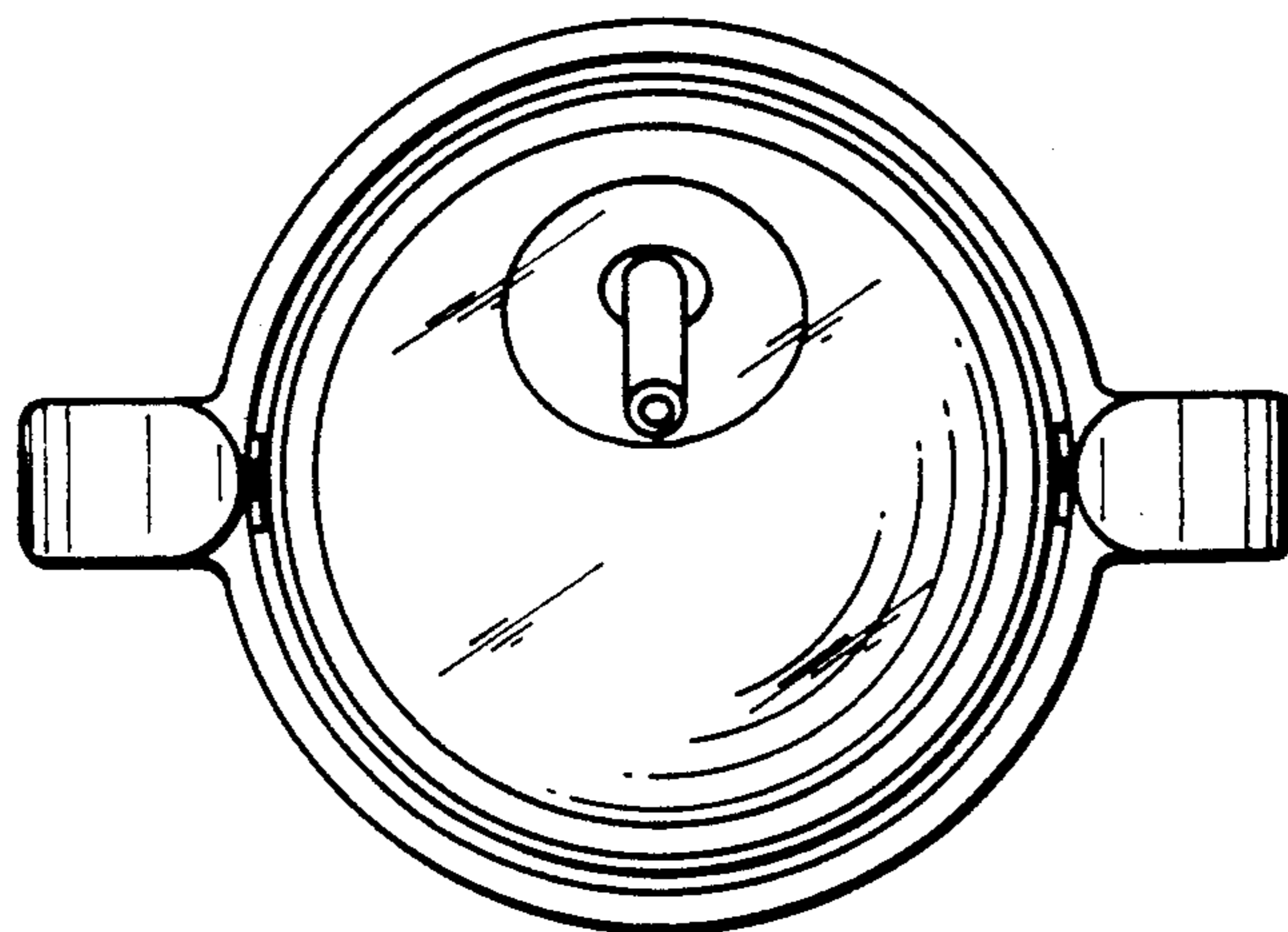


FIG. 7

