



US00D326795S

United States Patent [19]

[11] Patent Number: **Des. 326,795**

Reitz et al.

[45] Date of Patent: **** Jun. 9, 1992**

[54] **DRIP TRAY**

[76] Inventors: **Jared Reitz**, 56 Oxford Ave., Dayton, Ohio 45407; **Dixon Clement**, 824 Robinson Ave., Piqua, Ohio 45356

[**] Term: **14 Years**

[21] Appl. No.: **379,901**

[22] Filed: **Jul. 14, 1989**

[52] U.S. Cl. **D7/397; D7/550**

[58] Field of Search **D6/511, 509, 491, 494, D6/510, 513; D7/550, 397; 220/570, 571; 222/108; 294/172**

1,108,692	8/1914	Burd	D7/550 X
2,209,057	7/1940	Jackson	222/108 X
4,369,948	1/1983	Krauss et al.	D6/513 X
4,511,111	4/1985	Godfrey et al.	D6/511 X

Primary Examiner—Nelson C. Holtje
Assistant Examiner—Caron D. Veynar
Attorney, Agent, or Firm—Donald P. Gillette

[57] CLAIM

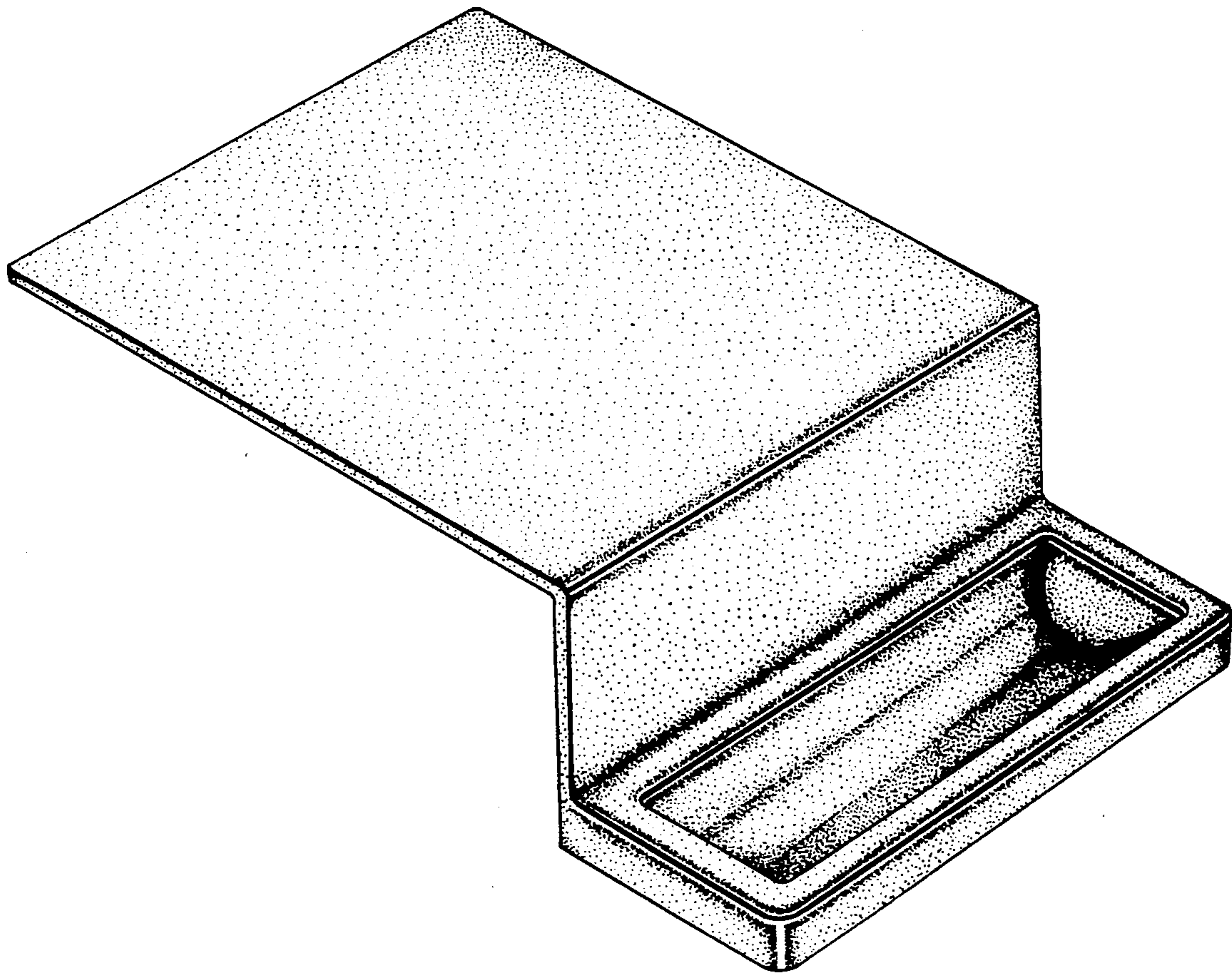
The ornamental design for a drip tray, as shown and described.

DESCRIPTION

FIG. 1 is a left, front and top perspective view of a drip tray showing our new design; FIG. 2 is a front elevational view; FIG. 3 is a rear elevational view; FIG. 4 is a top plan view; FIG. 5 is a bottom plan view; FIG. 6 is a left side elevational view; FIG. 7 is a right side elevational view; and, FIG. 8 is a left, front and top perspective view, the broken line showing of a coffee urn is environmental only and forms no part of the claimed design.

[56] References Cited U.S. PATENT DOCUMENTS

163,481	5/1875	Gray	222/108
D. 193,191	7/1962	Taub	D6/511
207,439	8/1878	Pflueger	222/108
215,016	5/1879	Mettee	222/108
D. 250,621	12/1978	Blum	D6/509
D. 264,096	4/1982	Jones	D7/541 X
D. 297,335	8/1988	Atwell	D19/86



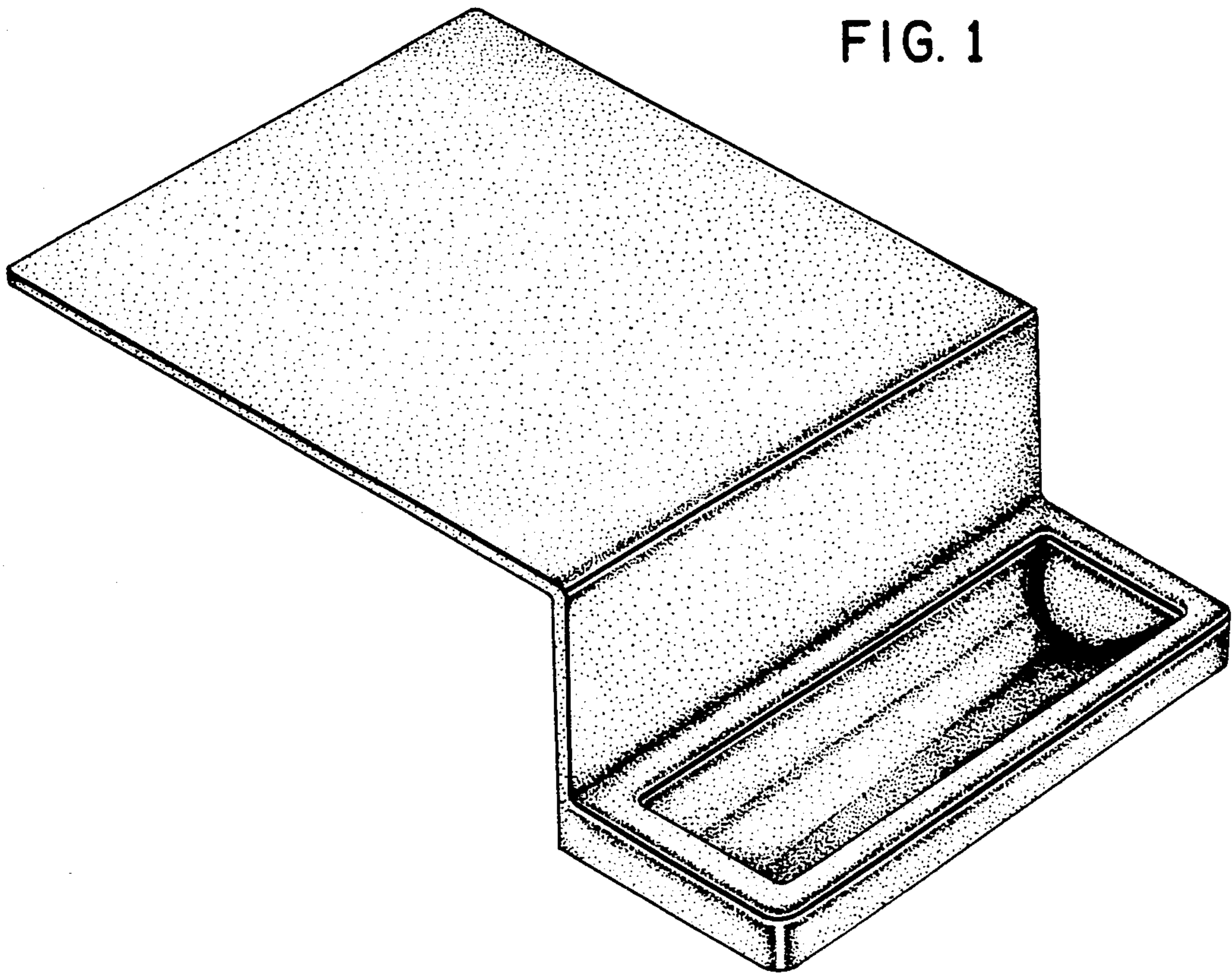


FIG. 1

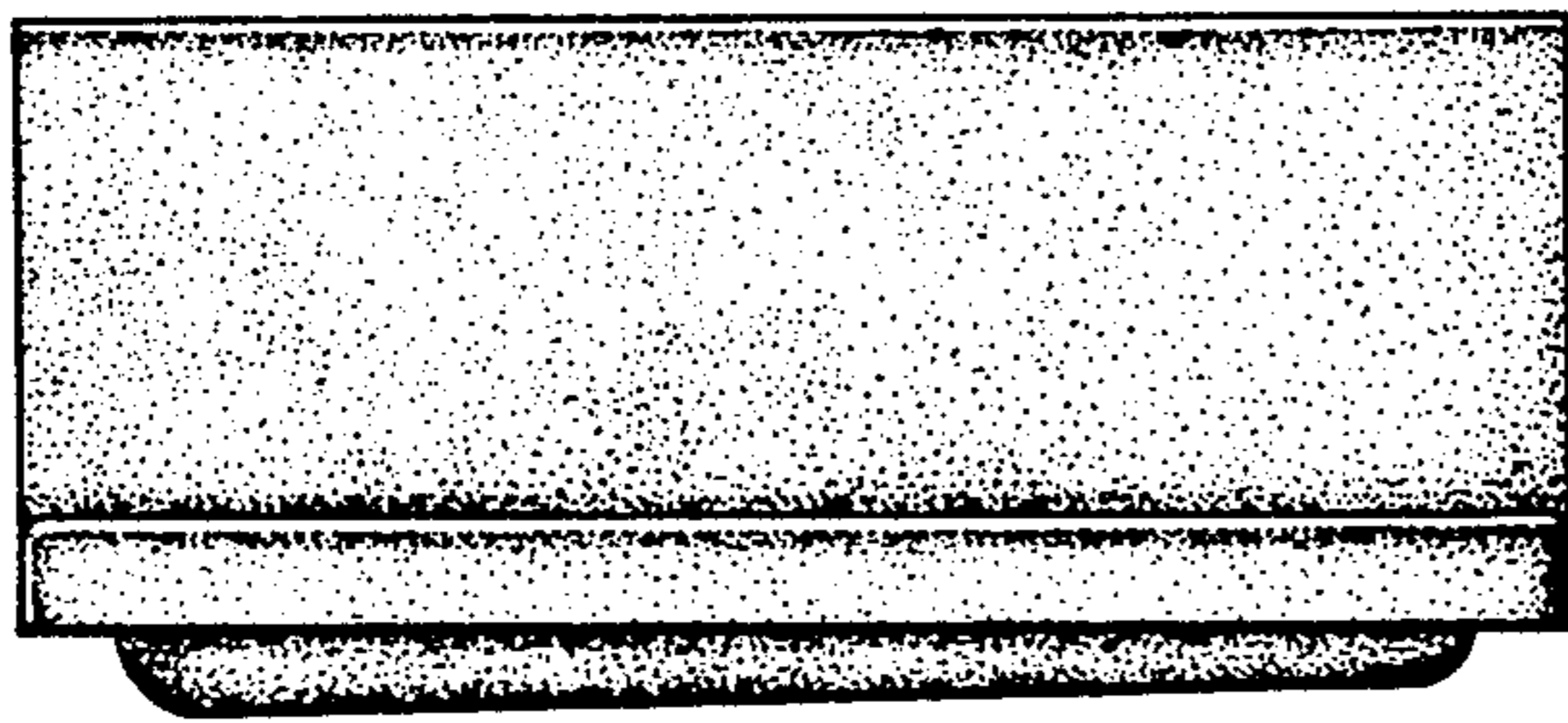


FIG. 2

FIG. 3



FIG. 4

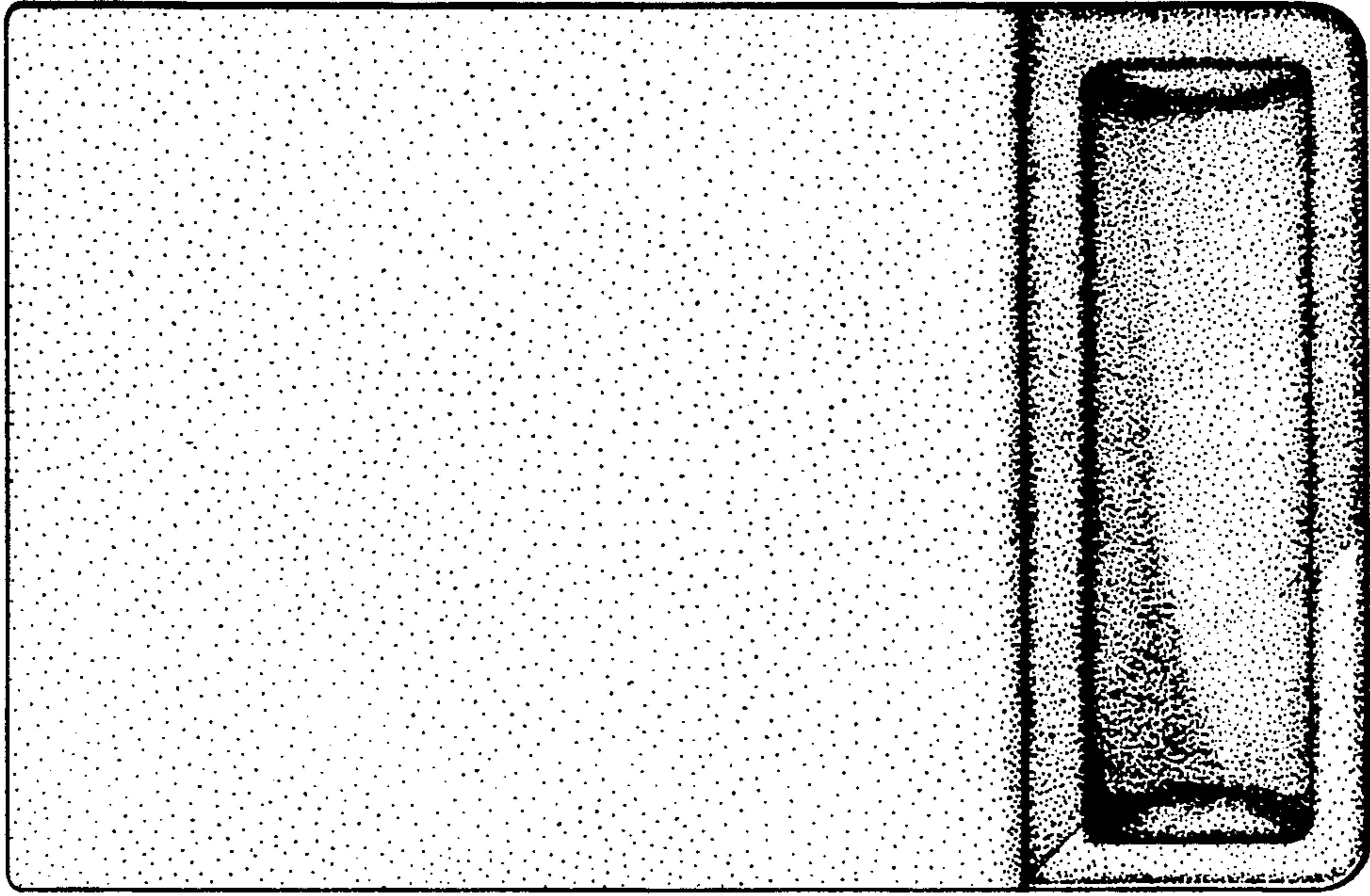


FIG. 5

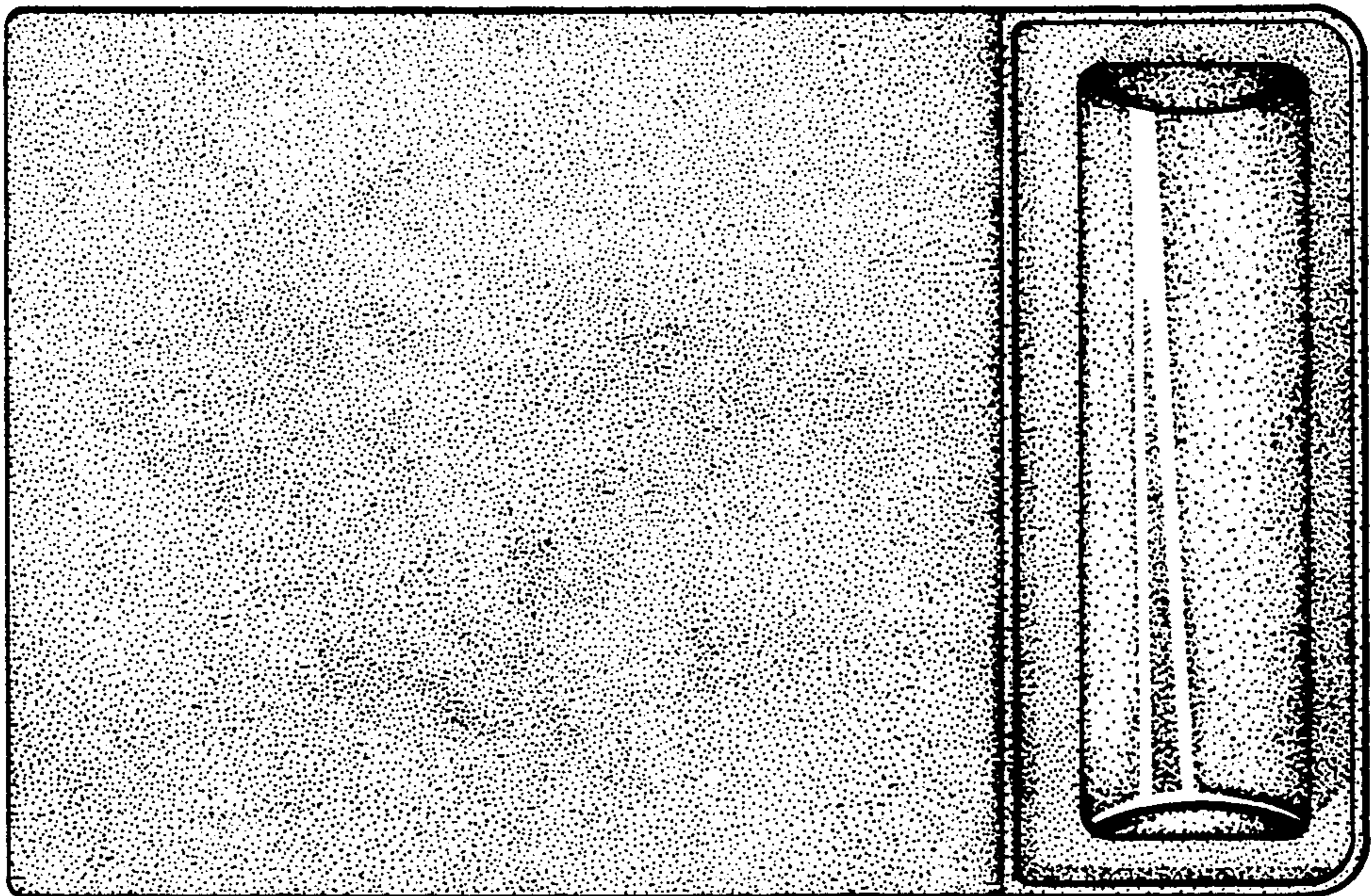


FIG. 6

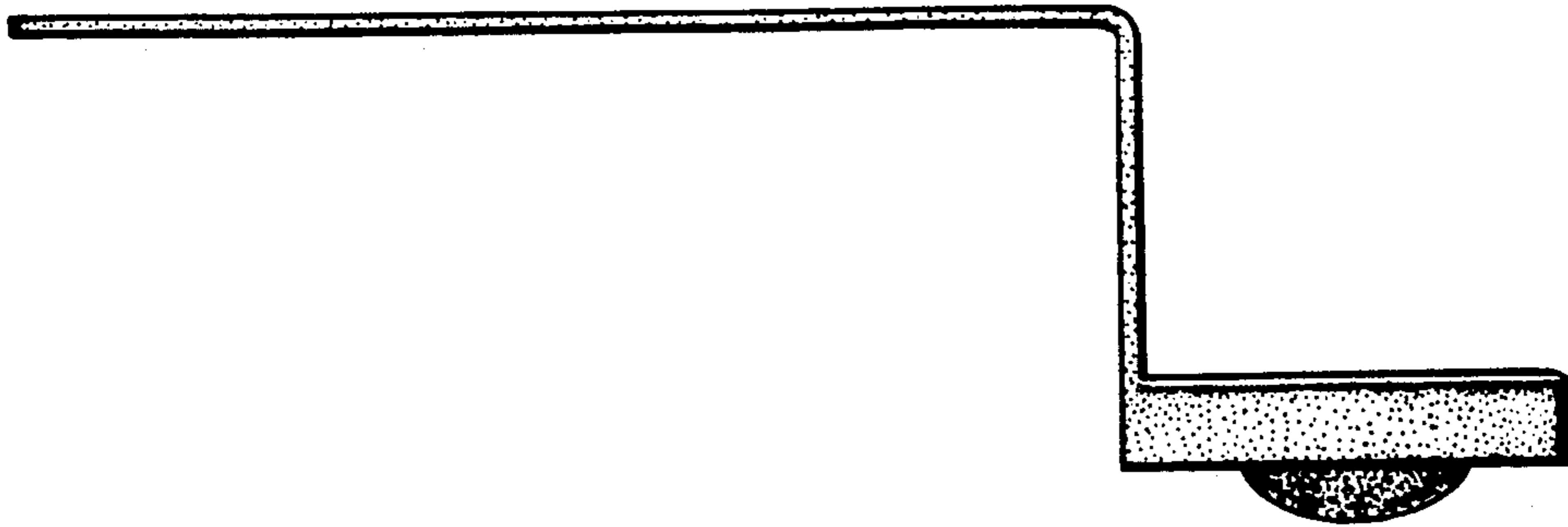


FIG. 7

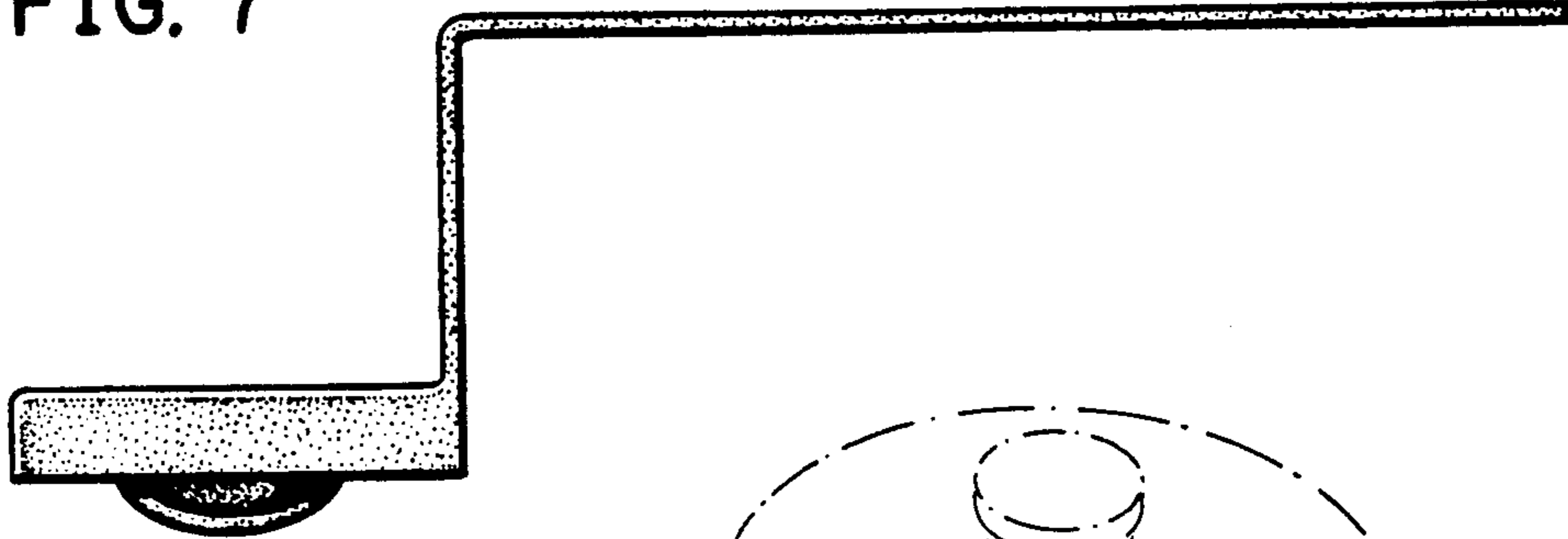


FIG. 8

