



US00D326792S

United States Patent [19]

[11] Patent Number: **Des. 326,792**

Rodgers et al.

[45] Date of Patent: **** Jun. 9, 1992**

[54] **COMBINED CAMP STORE AND BARBECUE GRILL**

[76] Inventors: **Aubrey Rodgers**, 1636 King George Hwy., Surrey, B.C., Canada;
Kenneth P. Hope; Norman B. Hope, both of 1450 Penny Farthing Drive, Suite 211, Vancouver, B.C., Canada, V6S 4X8

[**] Term: **14 Years**

[21] Appl. No.: **348,461**

[22] Filed: **May 4, 1989**

[30] **Foreign Application Priority Data**

Nov. 8, 1988 [CA] Canada 08-11-88-10
[52] U.S. Cl. **D7/337**
[58] Field of Search **D7/334, 337, 335, 332;**
126/9 R, 41 R; 99/447, 425, 41 R

[56] **References Cited**

U.S. PATENT DOCUMENTS

D. 234,286 2/1975 Makenny D7/337
D. 294,217 2/1988 Haglund D7/337
4,268,741 5/1981 O'Brien .
4,403,597 9/1983 Miller .
4,524,751 6/1985 Haglund .
4,587,948 5/1986 Haglund .
4,741,321 5/1988 Squires 126/41 R X

FOREIGN PATENT DOCUMENTS

627760 1/1948 United Kingdom .

OTHER PUBLICATIONS

H & H Surplus Catalogue #5 1965-1966 p. 23 Coleman New Improved Camp Stoves.

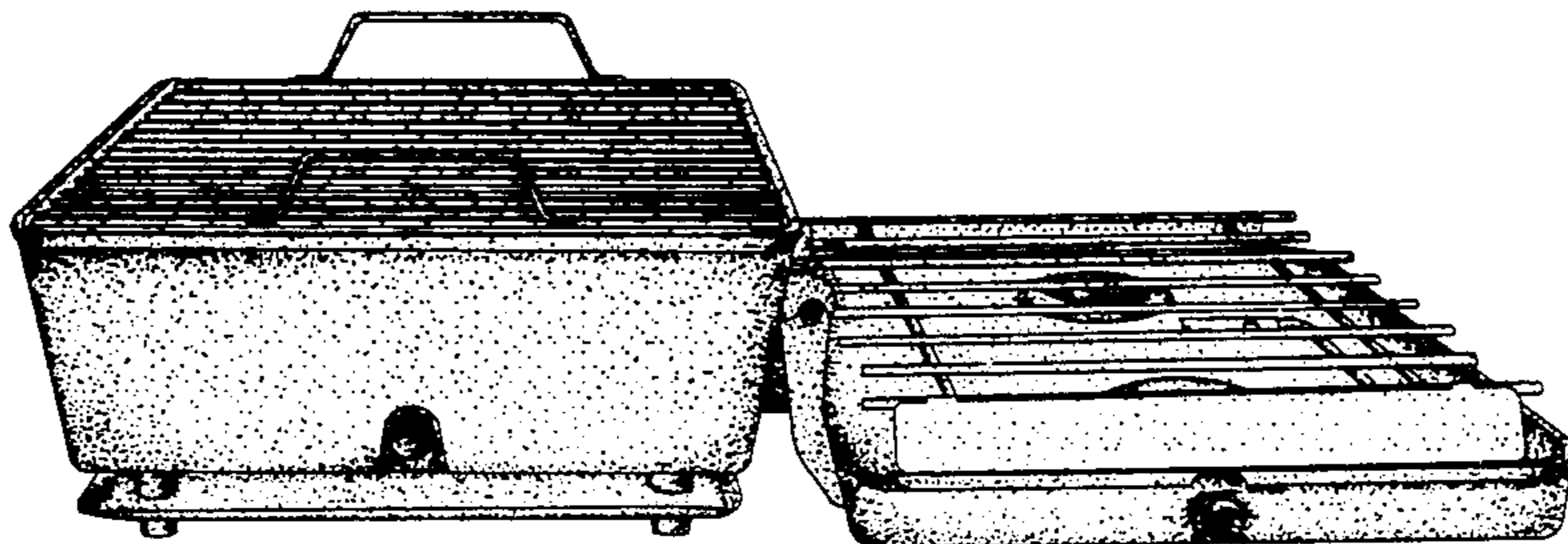
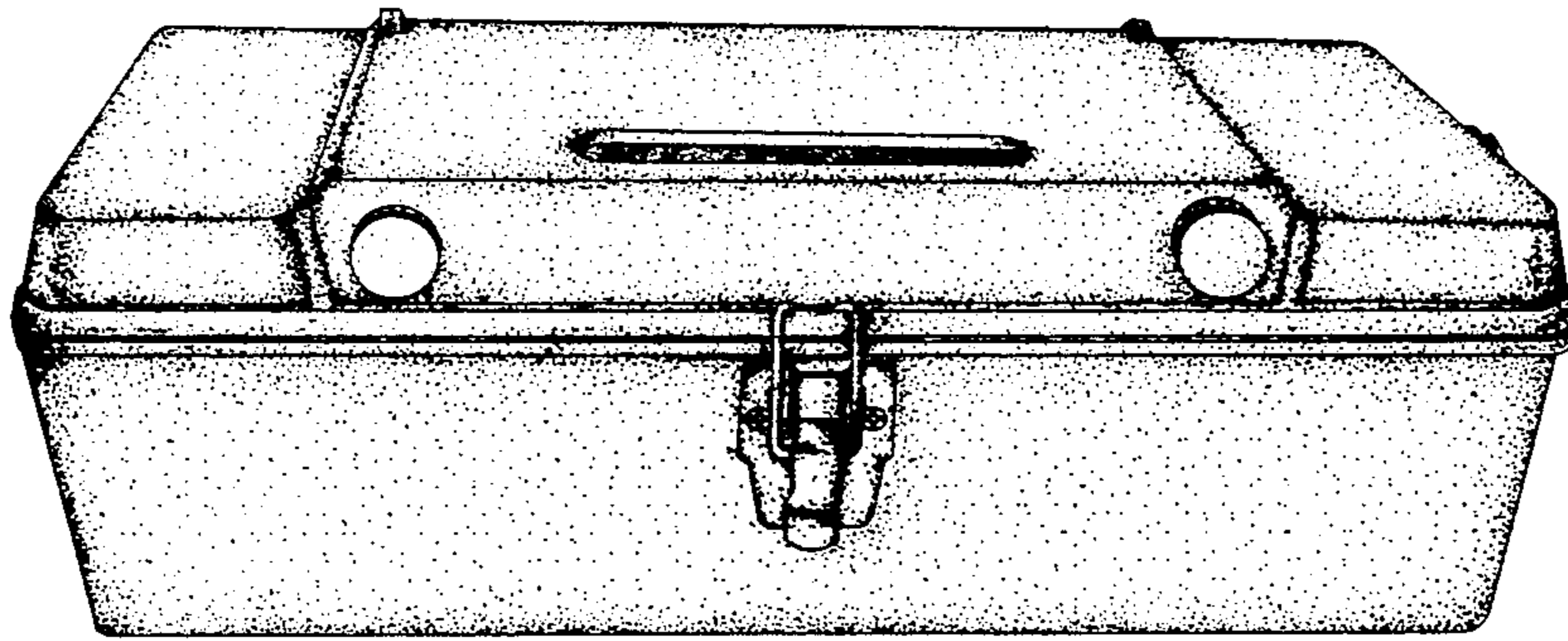
Primary Examiner—A. Hugo Word
Assistant Examiner—Paula Allen
Attorney, Agent, or Firm—Klarquist, Sparkman, Campbell, Leigh & Winston

[57] **CLAIM**

The ornamental design for a combined camp stove and barbecue grill, as shown and described.

DESCRIPTION

FIG. 1 is a front elevational view of a combined camp stove and barbecue grill showing my new design; FIG. 2 is a right side elevational view, in a closed position thereof; FIG. 3 is a left side elevational view, in a closed position thereof; FIG. 4 is a rear elevational view in a closed position thereof; FIG. 5 is a top plan view thereof; FIG. 6 is a bottom plan view thereof; FIG. 7 is a top perspective view thereof in an open position; FIG. 8 is a top plan view thereof in an open position with the base plate removed; FIG. 9 is a top plan view thereof in an open position with the grills in position; FIG. 10 is a side perspective view thereof in an open position; FIG. 11 is a top plan view thereof in an open position with the grills and base plate removed; and, FIG. 12 is a top plan view thereof with the grill, smoker plate, and base plate removed.



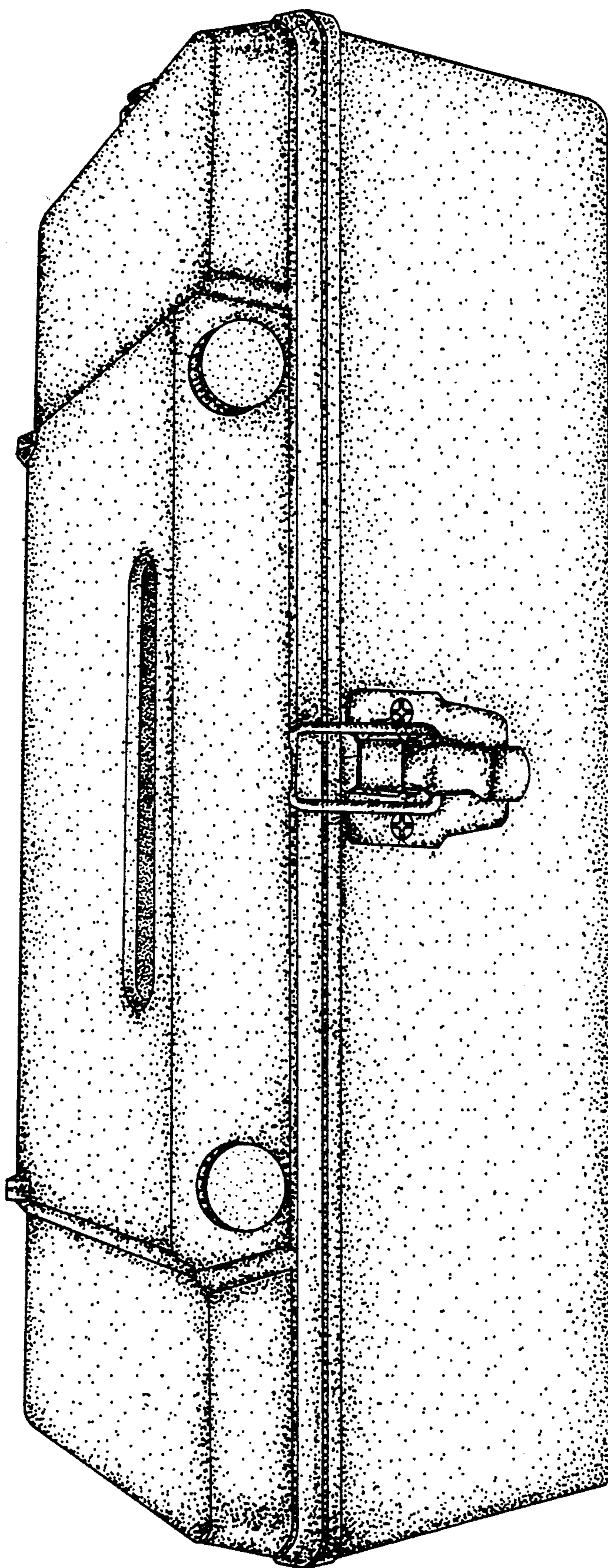


FIG. 1

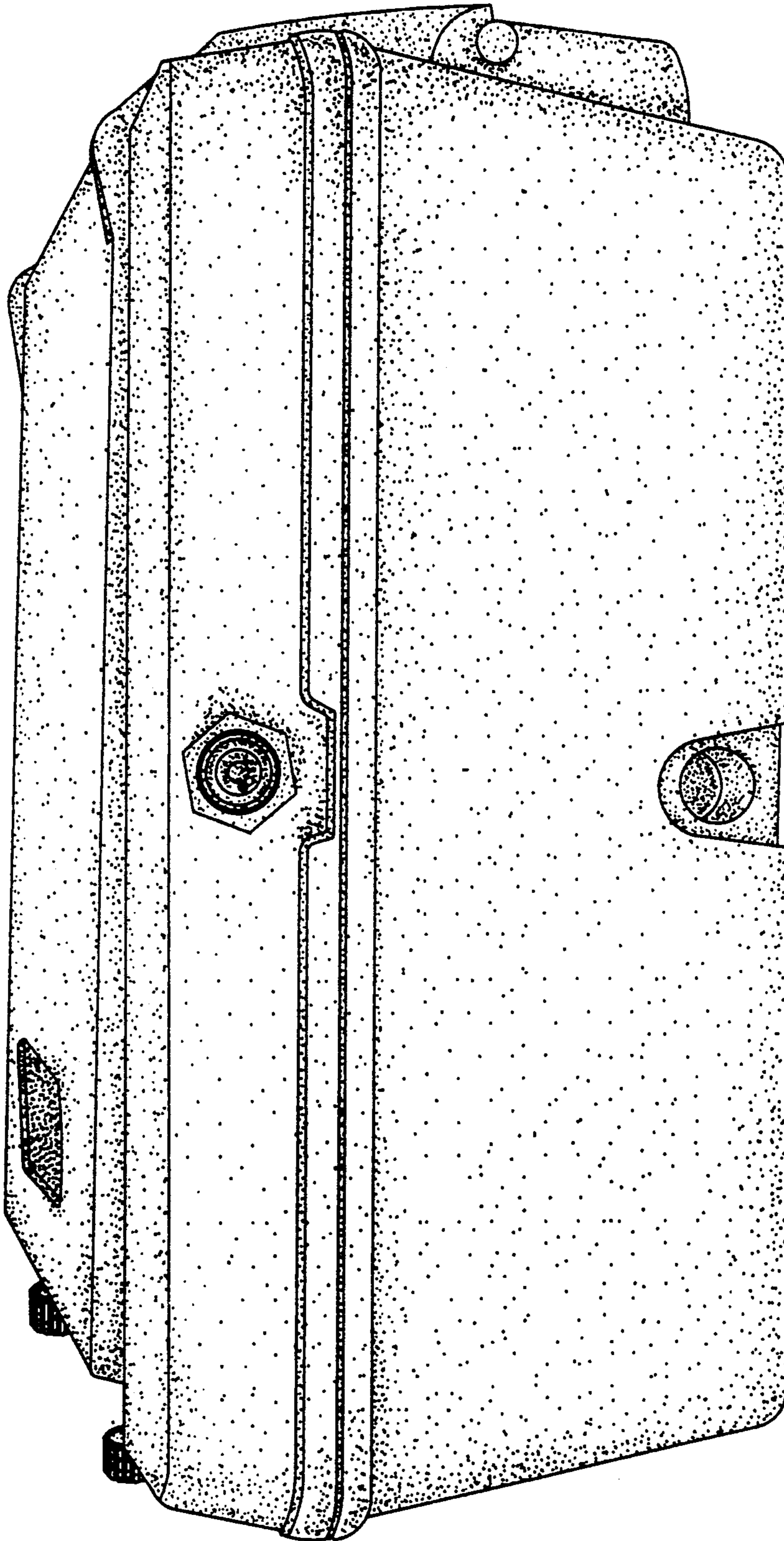


FIG. 2

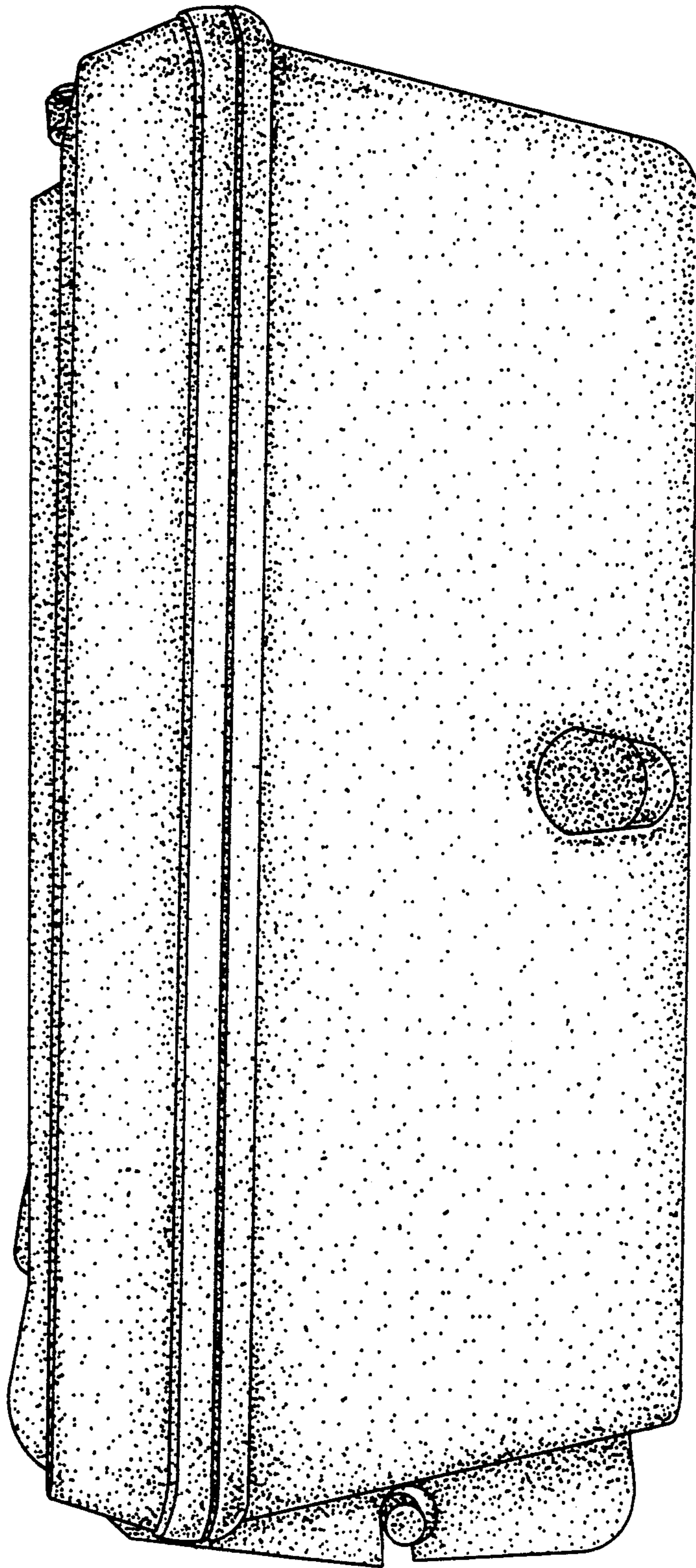


FIG. 3

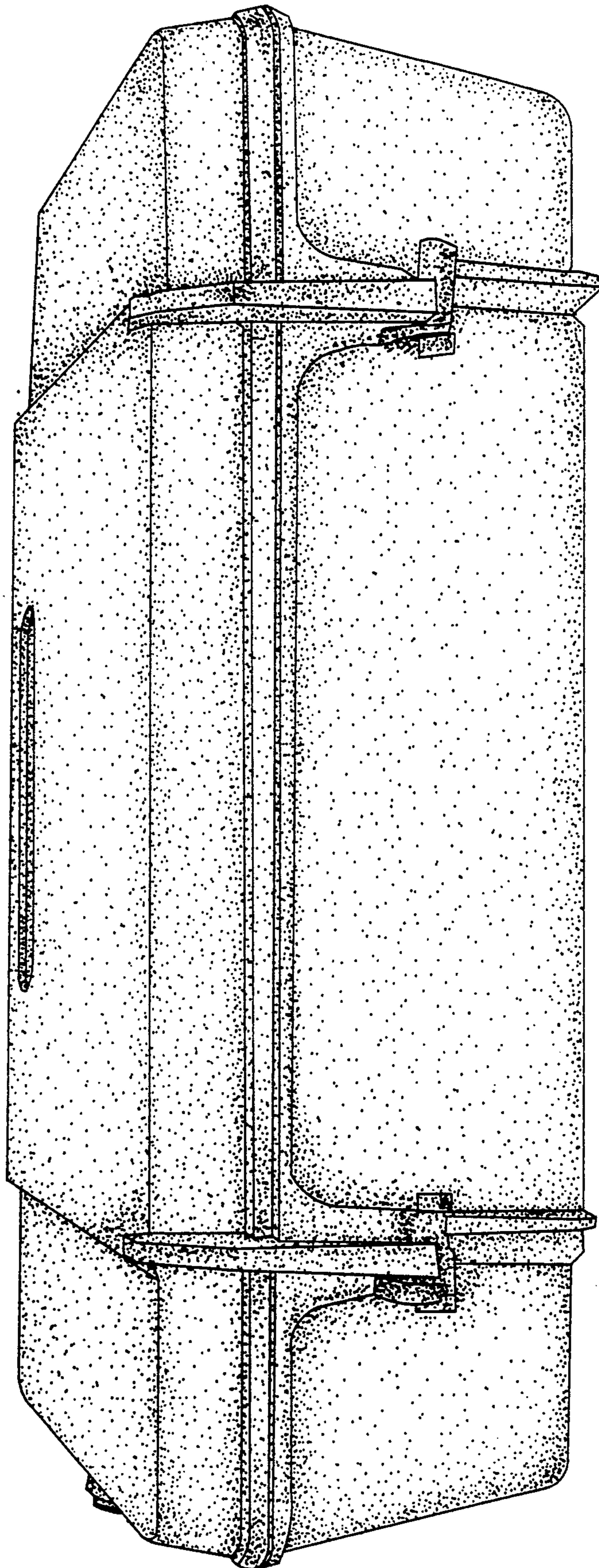


FIG. 4

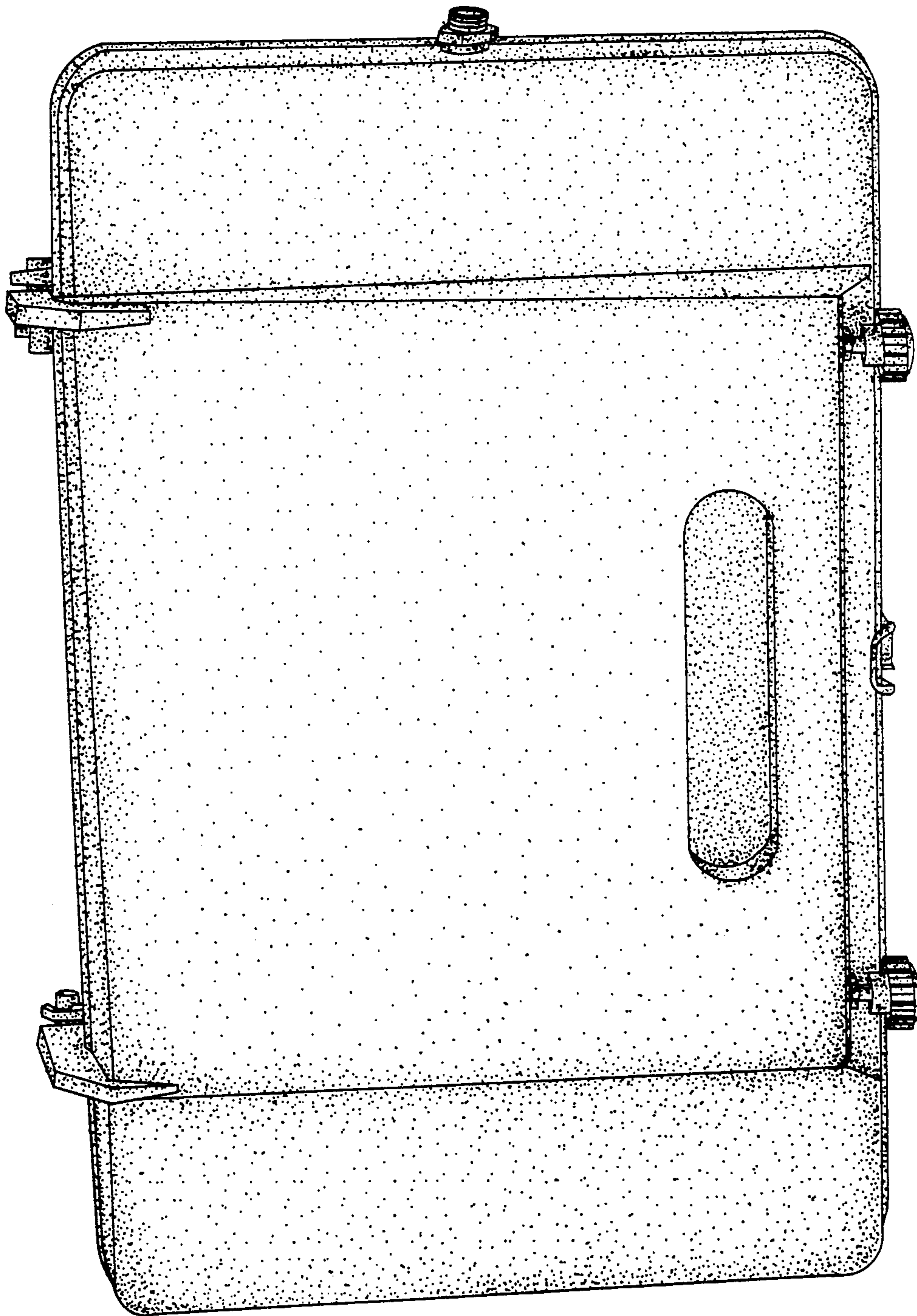


FIG. 5

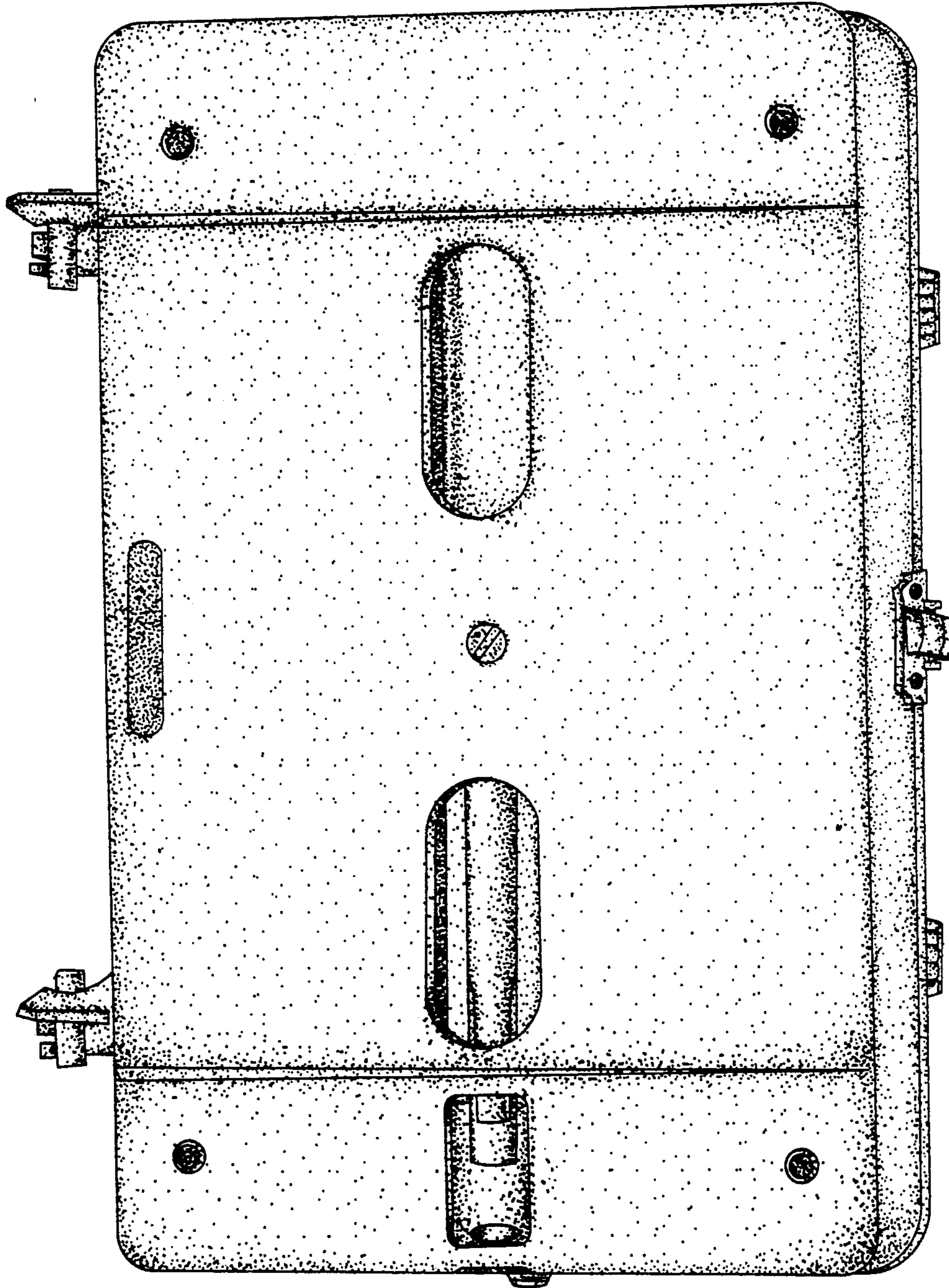


FIG. 6

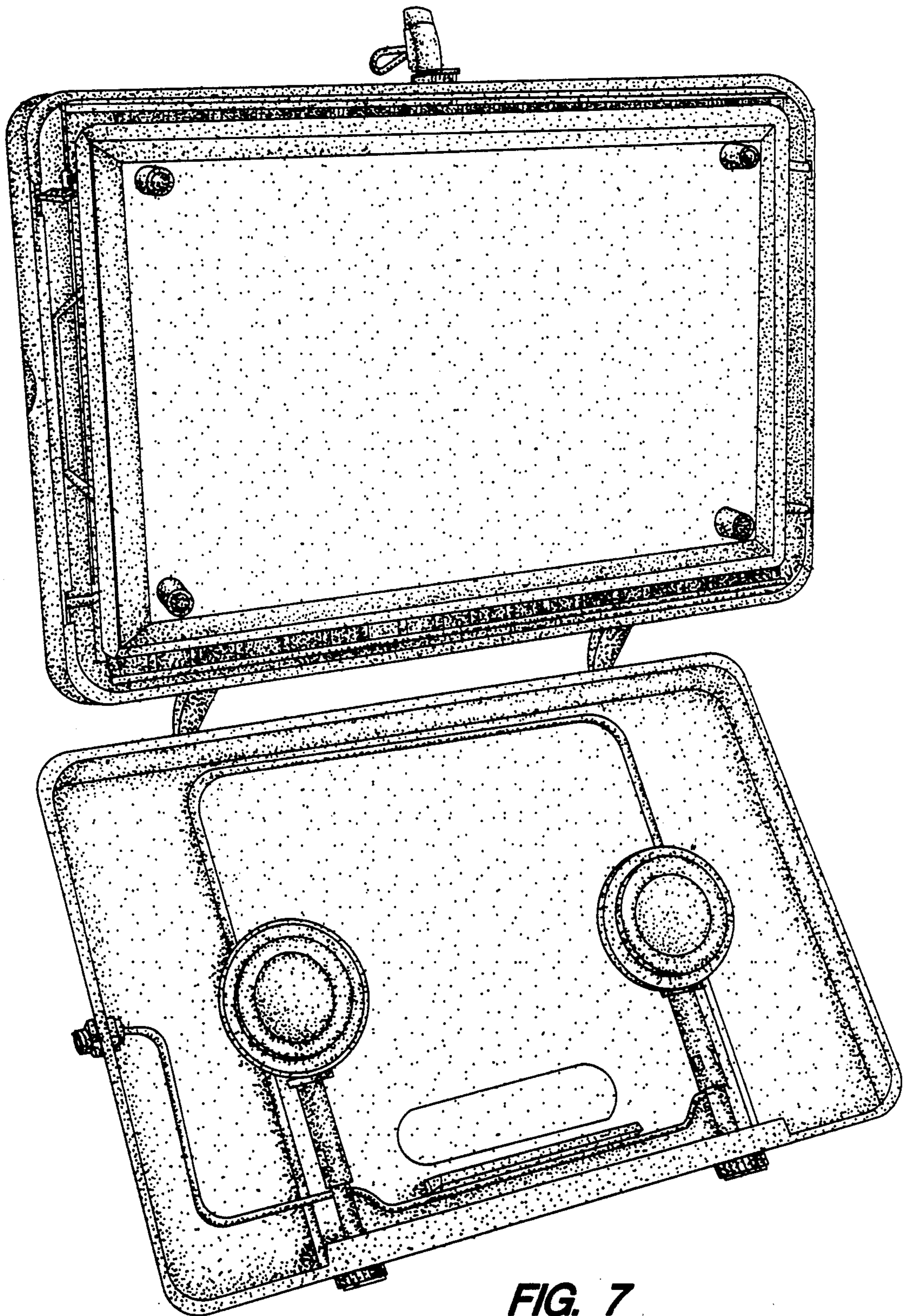


FIG. 7

FIG. 8

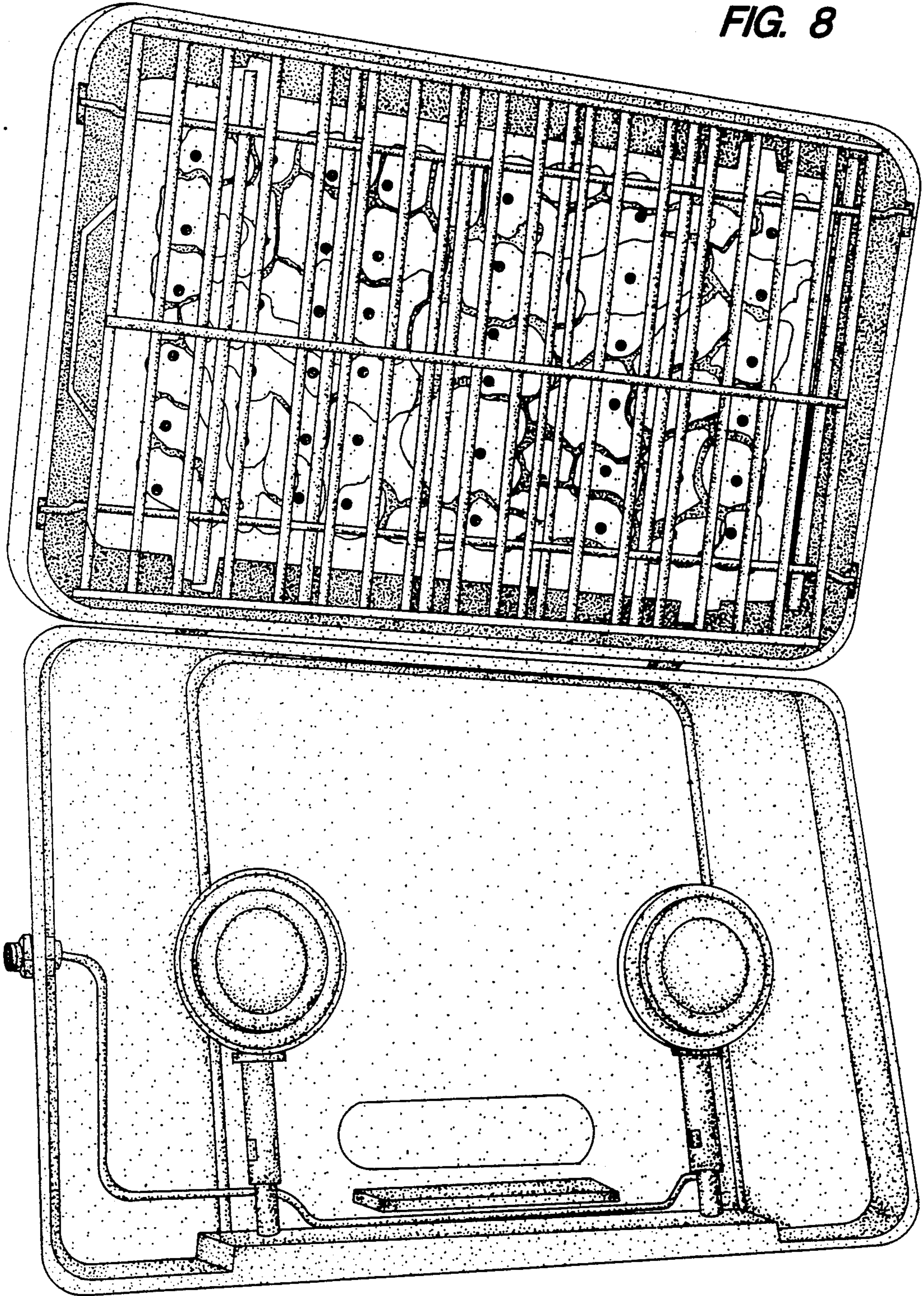


FIG. 9

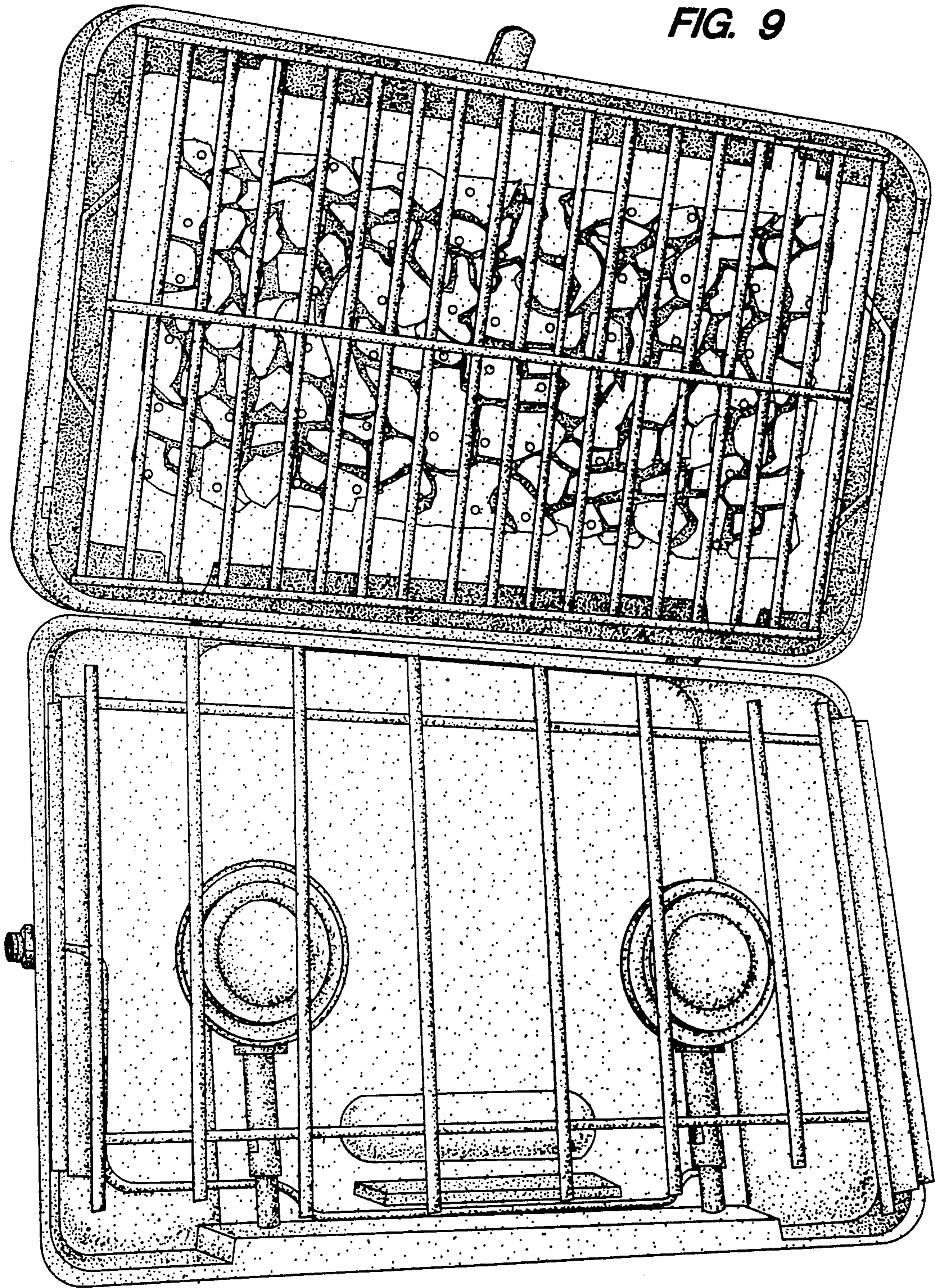
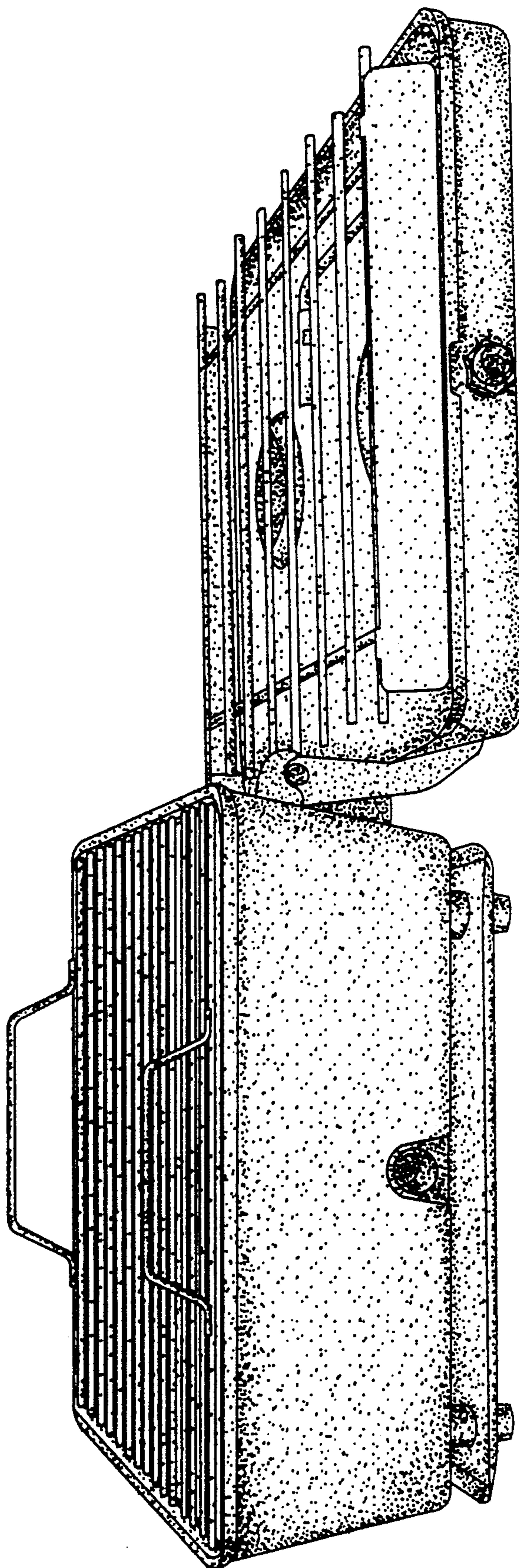


FIG. 10



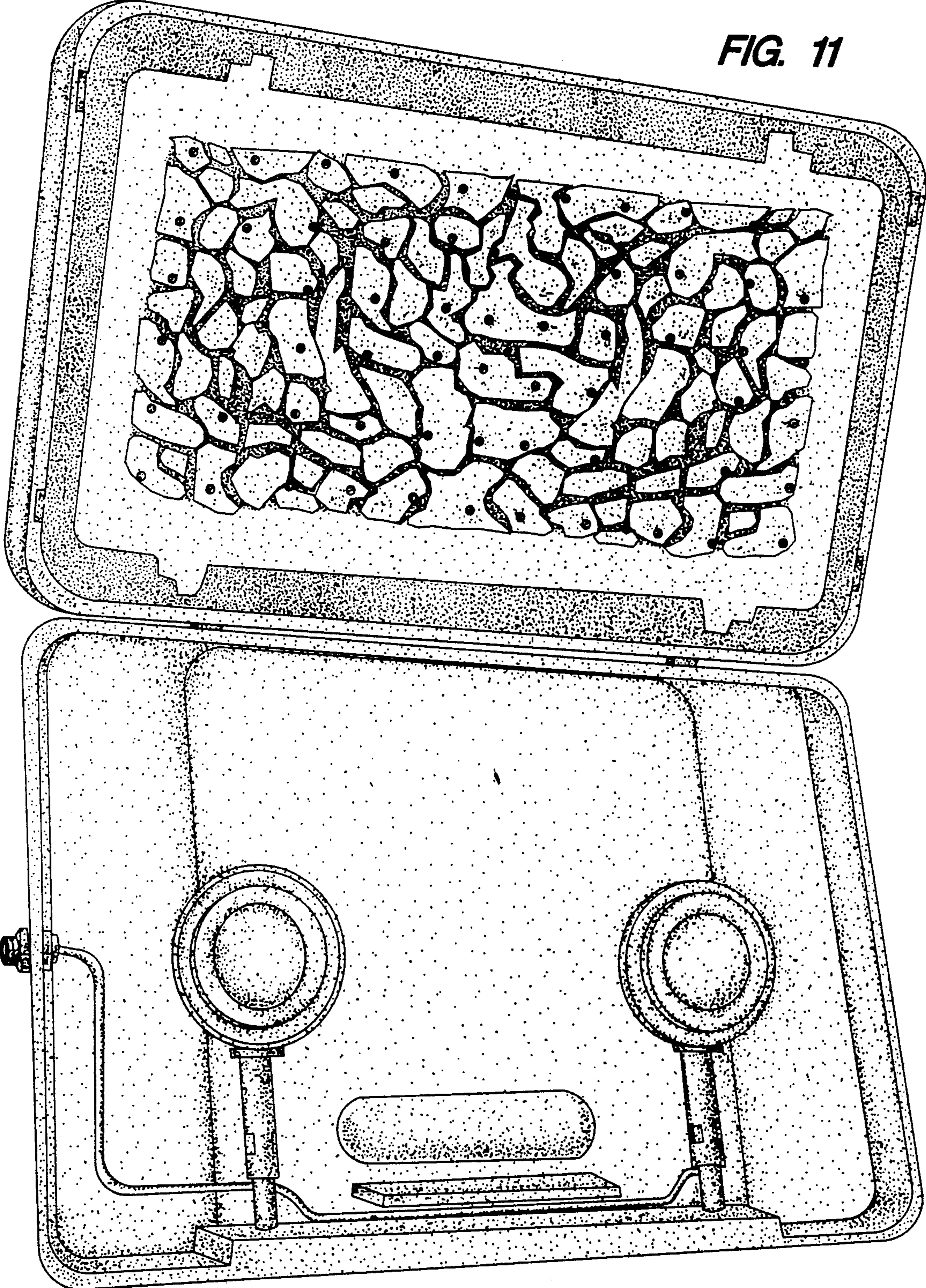


FIG. 11

FIG. 12

