



US00D326786S

United States Patent [19]

[11] Patent Number: **Des. 326,786**

McLeod

[45] Date of Patent: **** Jun. 9, 1992**

[54] **STAND FOR VIDEO EQUIPMENT**

[76] Inventor: **Scott A. McLeod**, P.O. Box 240307,
Anchorage, Ak. 99524

[**] Term: **14 Years**

[21] Appl. No.: **280,269**

[22] Filed: **Dec. 5, 1988**

[52] U.S. Cl. **D6/468; D6/462;**
D6/465; D6/474

[58] Field of Search **D6/410, 411, 412, 462,**
D6/463, 466, 467, 468, 474, 475, 476; 211/13;
D11/143, 144, 146

[56] **References Cited**

U.S. PATENT DOCUMENTS

D. 141,722	6/1945	Mankki	D6/411
D. 204,043	3/1966	Italiano	D6/475 X
D. 281,910	12/1985	Dinnebier et al.	D11/146 X
D. 292,254	10/1987	Matilo	D6/474
D. 298,707	11/1988	Knight	D6/466
362,611	5/1887	Davis	

1,447,623	3/1923	Maliha	312/254
2,504,479	4/1950	Wilhoite	
2,538,966	1/1951	Flannery	312/254
3,047,348	7/1962	Hickox	
3,889,910	6/1975	Walters	D6/462 X

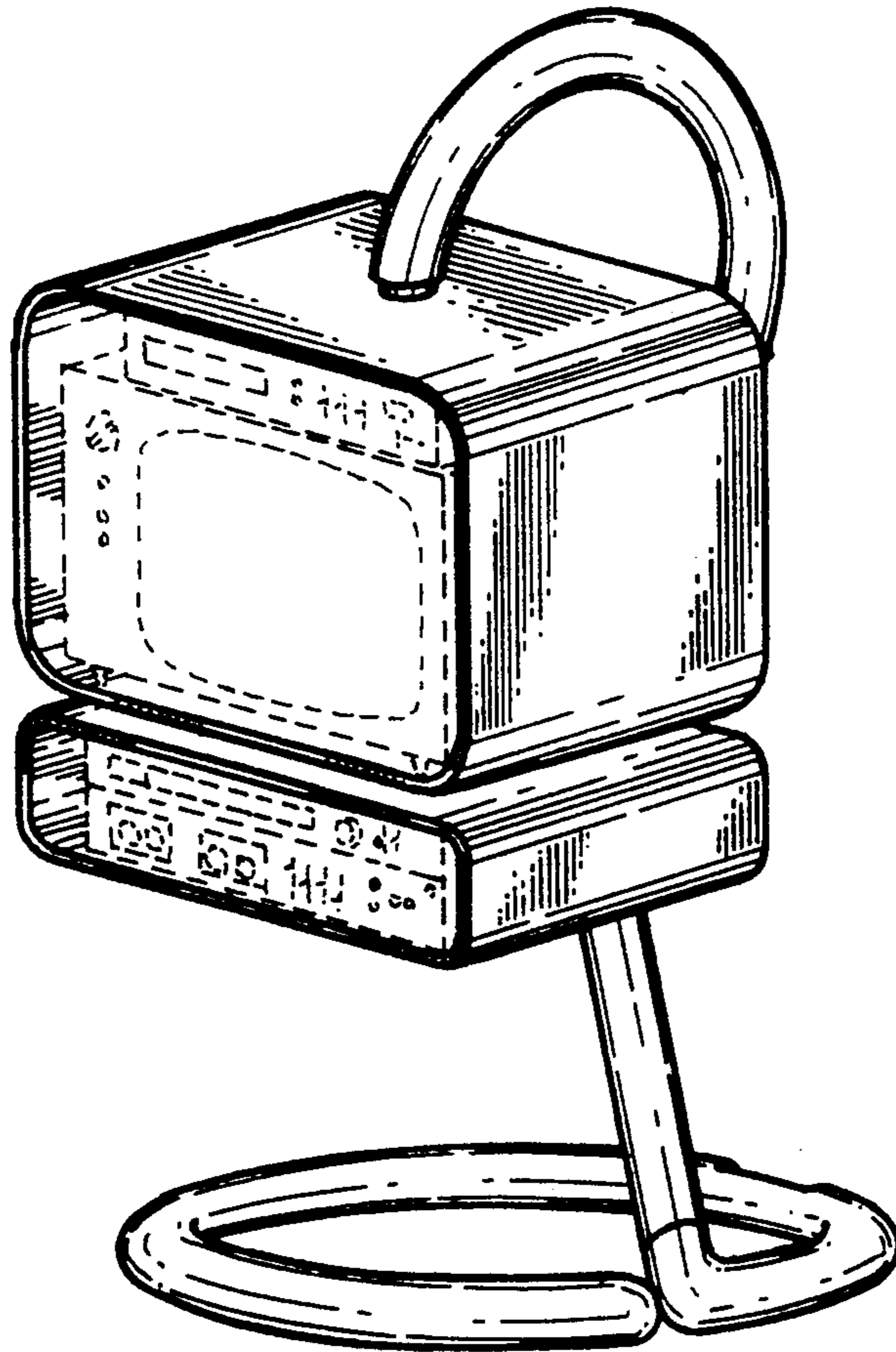
Primary Examiner—Bruce W. Dunkins
Assistant Examiner—Jeffrey Asch
Attorney, Agent, or Firm—Terry M. Gernstein

[57] CLAIM

The ornamental design for a stand for video equipment, as shown and described.

DESCRIPTION

FIG. 1 is a perspective view of a stand for video equipment showing my new design;
FIG. 2 is a front elevational view;
FIG. 3 is a right side elevational view;
FIG. 4 is a rear elevational view; and,
FIG. 5 is a bottom plan view thereof.
The undisclosed sides of the cabinet units are the same in appearance as the sides disclosed in FIG. 3.



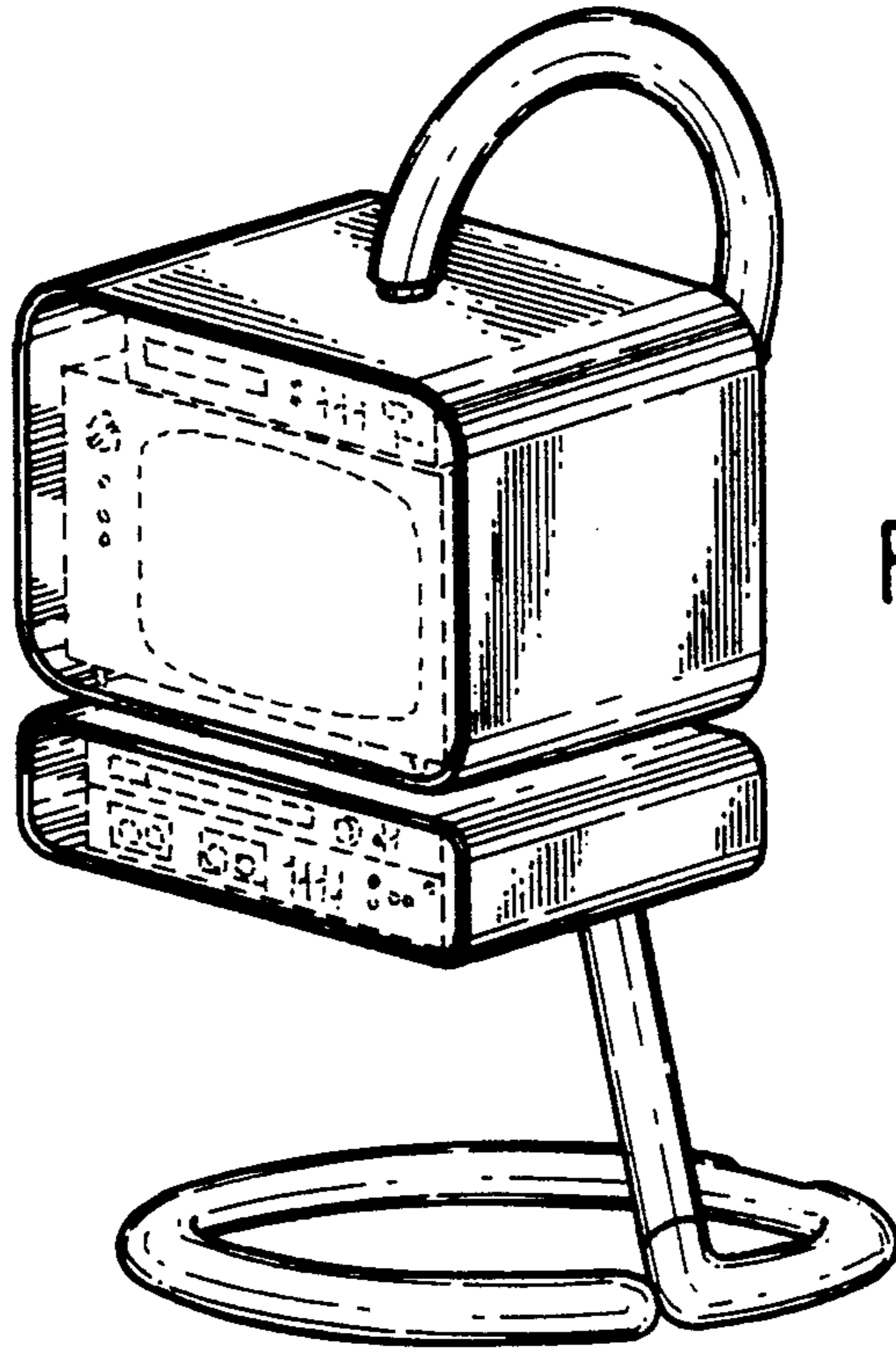


FIG. 1

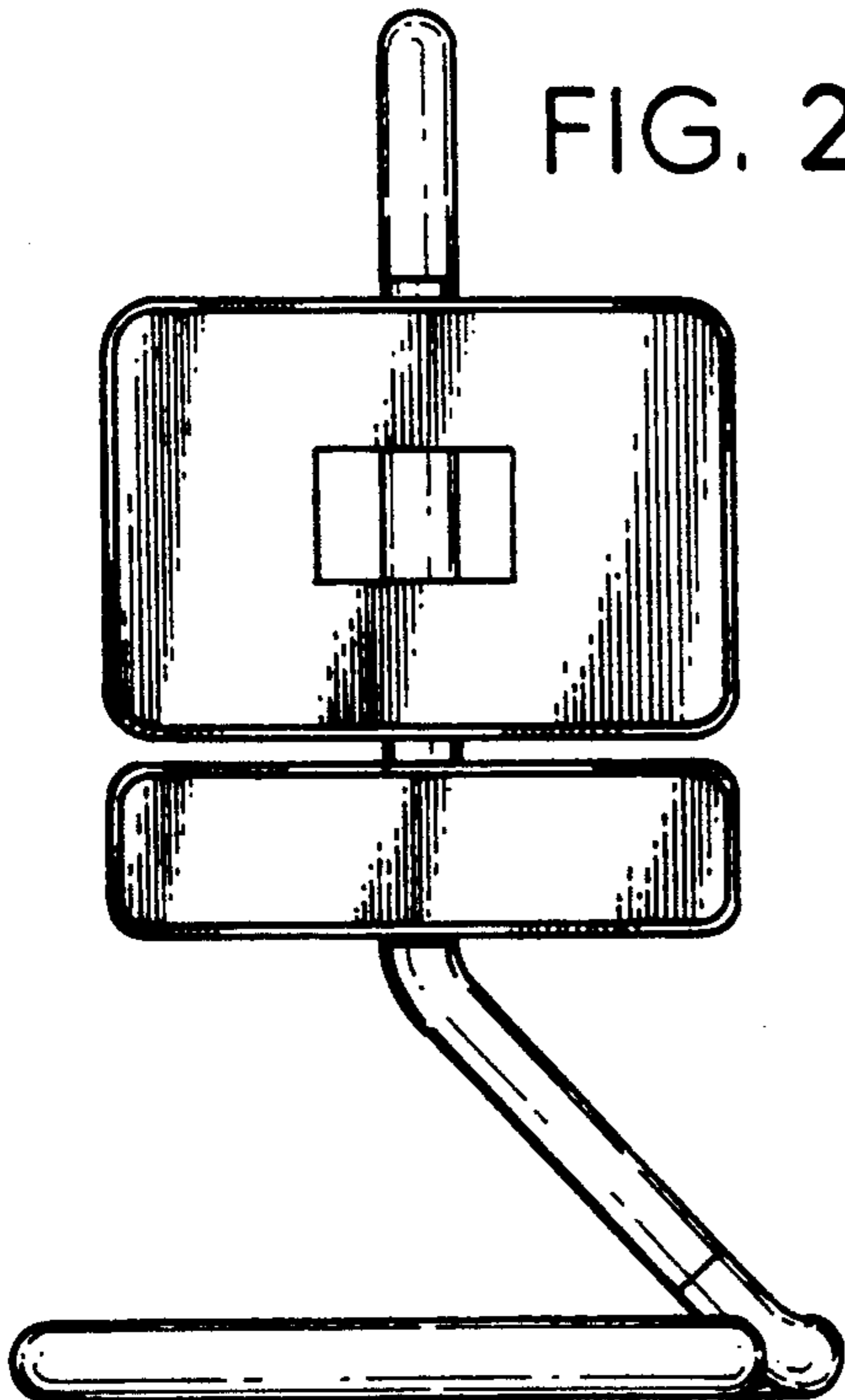


FIG. 2

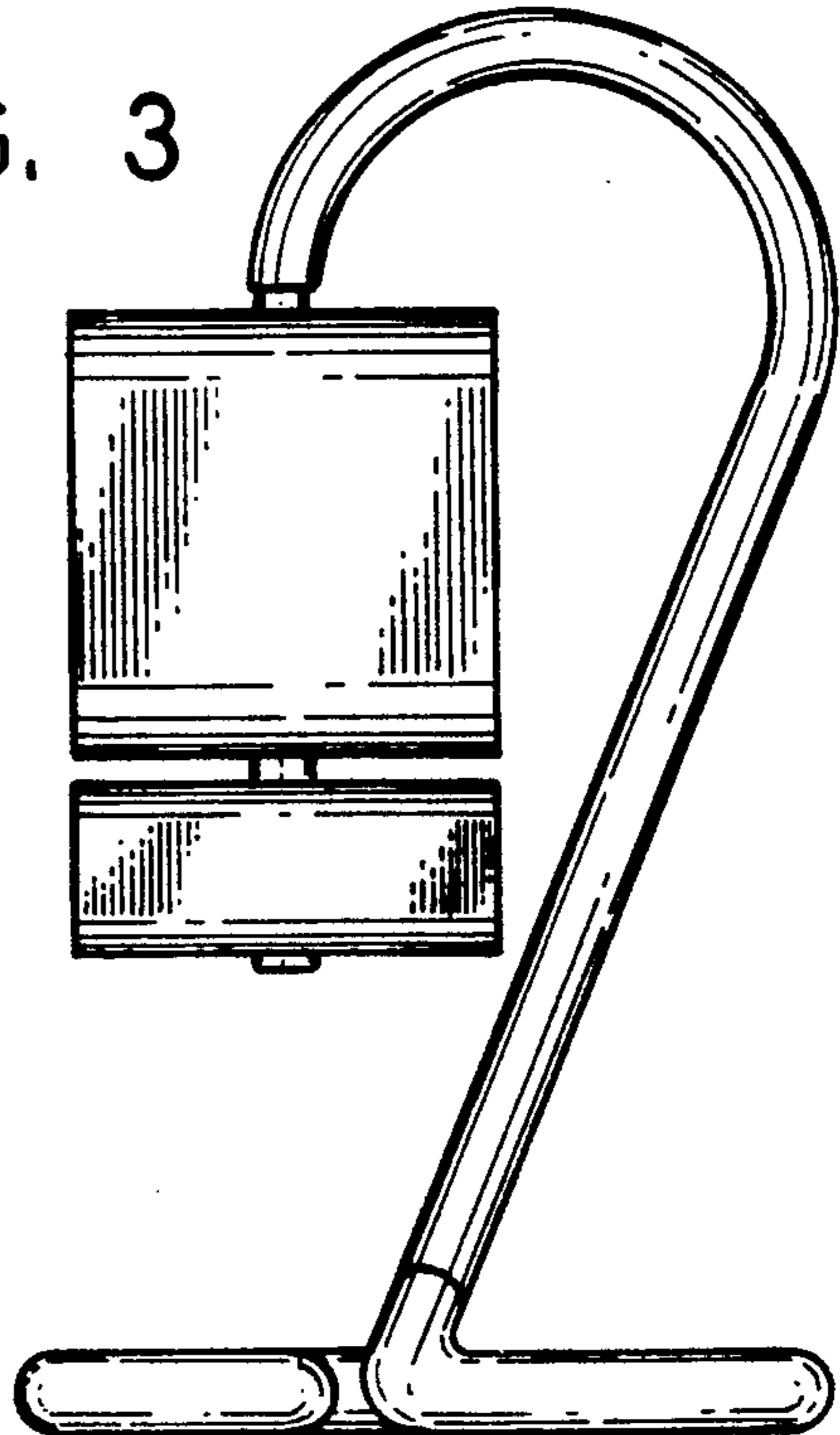


FIG. 3

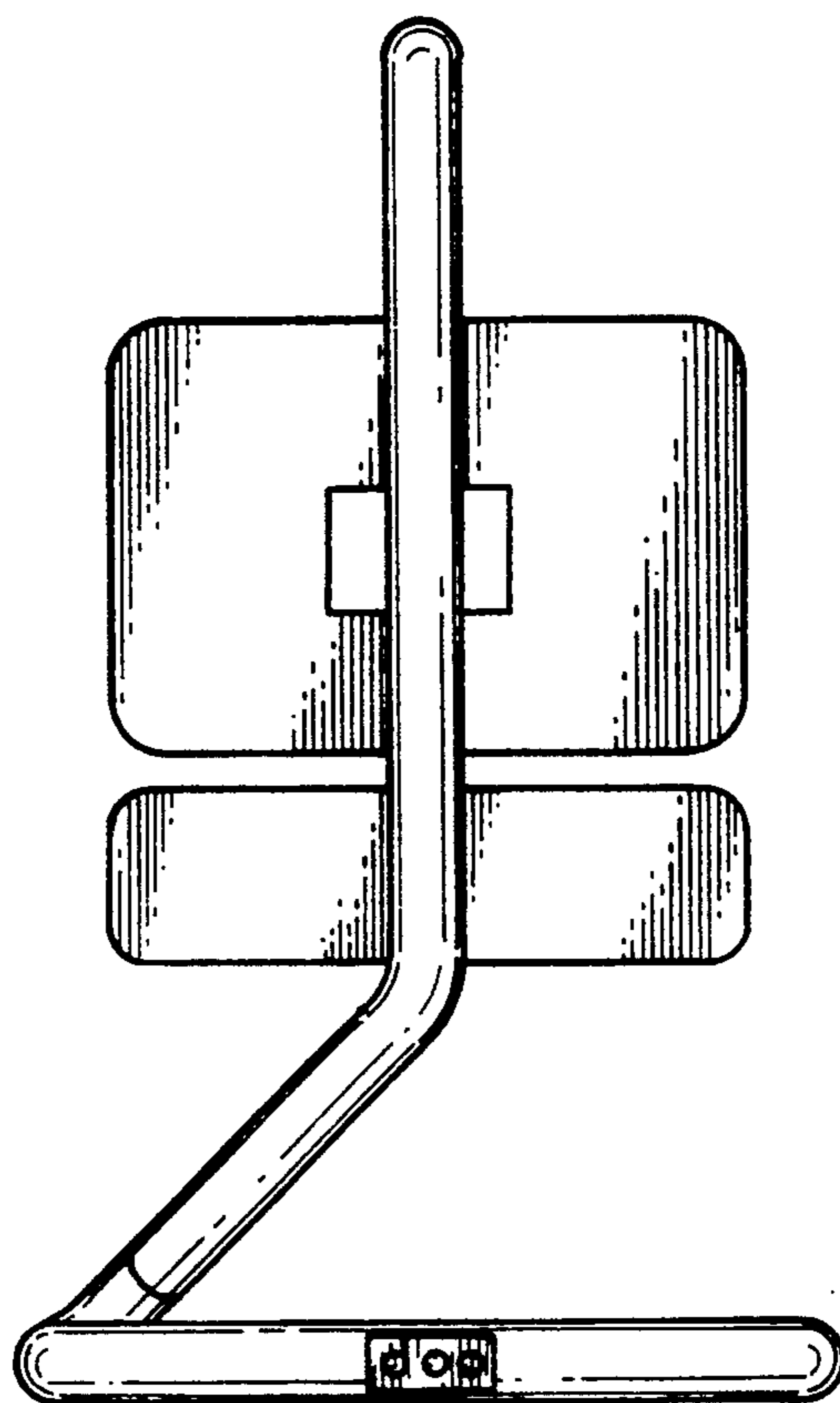


FIG. 4

FIG. 5

