



US00D326784S

United States Patent [19]

[11] Patent Number: **Des. 326,784**

Beery et al.

[45] Date of Patent: **** Jun. 9, 1992**

[54] CASSETTE FOR A PHOTSENSITIVE MEDIA

[75] Inventors: **Jack Beery**, Washington, D.C.; **John E. Jamison**, Walnut Creek, Calif.

[73] Assignee: **The Mead Corporation**, Dayton, Ohio

[**] Term: **14 Years**

[21] Appl. No.: **466,821**

[22] Filed: **Jan. 16, 1990**

[52] U.S. Cl. **D6/396; D6/407; D14/121; D16/250; D18/49; 242/58; 242/71.1; 400/613**

[58] Field of Search **D6/396, 397, 407, 410, D6/411-415, 421, 422, 432, 445, 446, 448, 467, 328, 475; D3/73, 74; D7/616; D19/90; 108/61, 70.6; 211/1.5, 11; 248/146; D18/48, 49, 50**

[56] **References Cited**

U.S. PATENT DOCUMENTS

D. 213,783	4/1969	Laybourn et al.	D14/121 X
D. 272,542	2/1984	Raymond	D14/121
D. 272,633	2/1984	Raymond	D14/121
D. 284,866	7/1986	Raymond	D16/250
D. 321,362	11/1991	Martin	D18/49

4,219,266	8/1980	Carter	242/71.1 X
4,221,479	9/1980	Harvey	242/71.1 X
4,848,945	7/1989	Sone	400/613 X
4,887,110	12/1989	Harvey	242/71.1 X
4,908,641	3/1990	Fairman	242/71.1 X
4,912,510	3/1990	Ogura et al.	242/58 X

FOREIGN PATENT DOCUMENTS

0296113	12/1988	European Pat. Off.	242/58
1524494	9/1978	United Kingdom	242/58

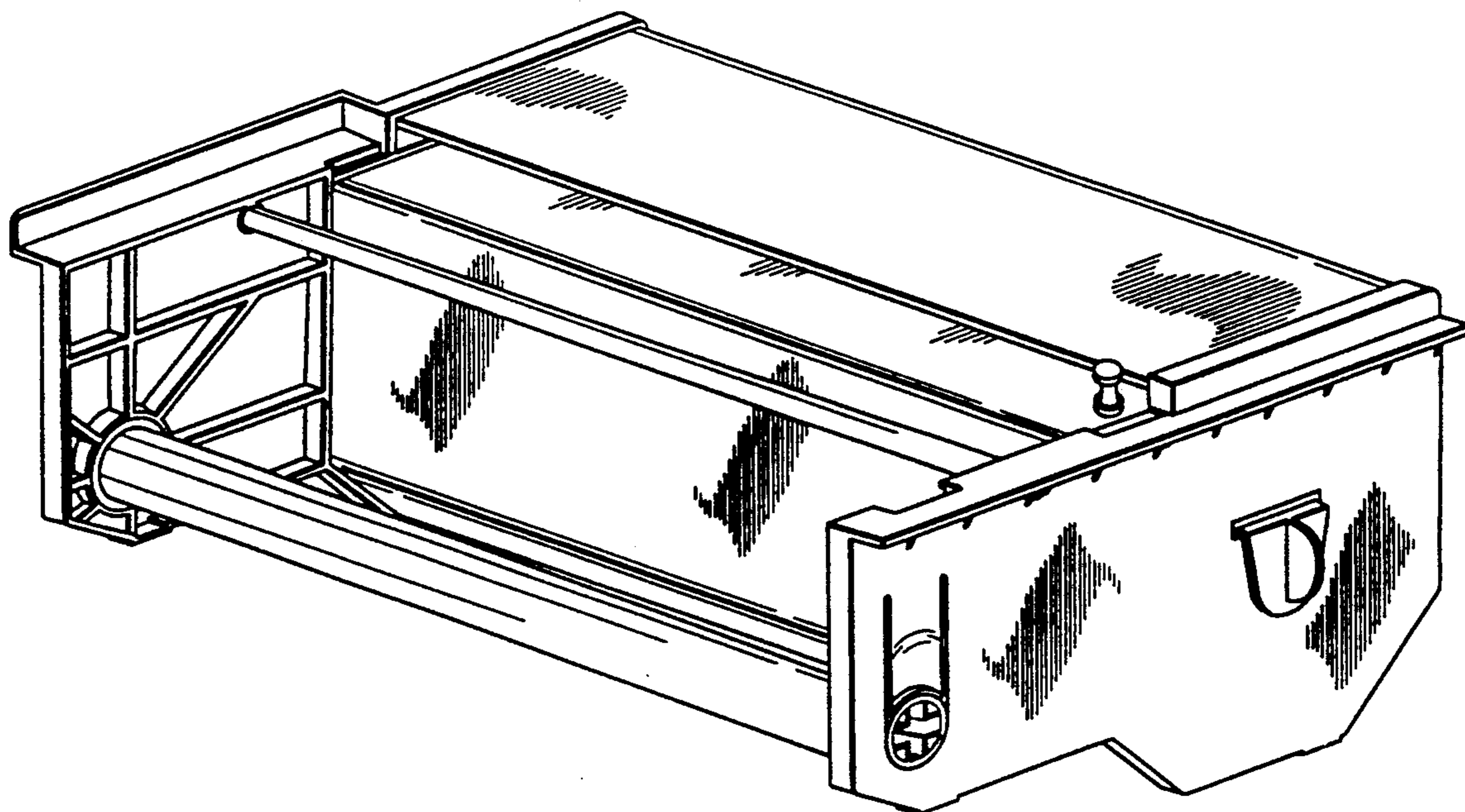
Primary Examiner—Donald P. Walsh
Assistant Examiner—Monica A. Hannon
Attorney, Agent, or Firm—Thomas A. Boshinski

[57] CLAIM

The ornamental design for a cassette for a photosensitive media, as shown.

DESCRIPTION

FIG. 1 is a front perspective view of a cassette for a photosensitive media showing our new design; FIG. 2 is a top plan view thereof; FIG. 3 is a bottom plan view thereof; FIG. 4 is a right side elevational view thereof; FIG. 5 is a left side elevational view thereof; FIG. 6 is a front elevational view thereof; and, FIG. 7 is a rear elevational view thereof.



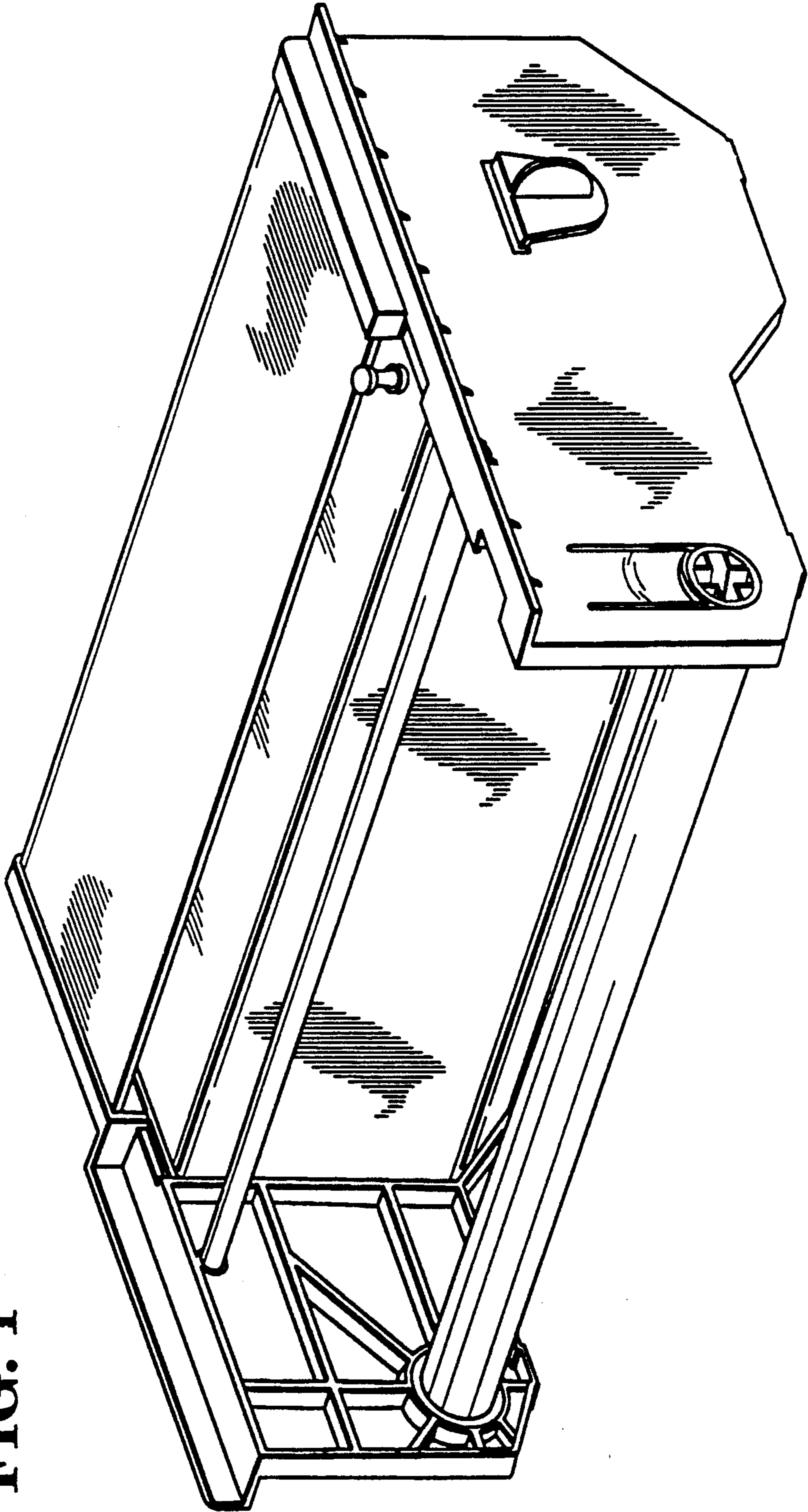


FIG. 1

FIG. 2

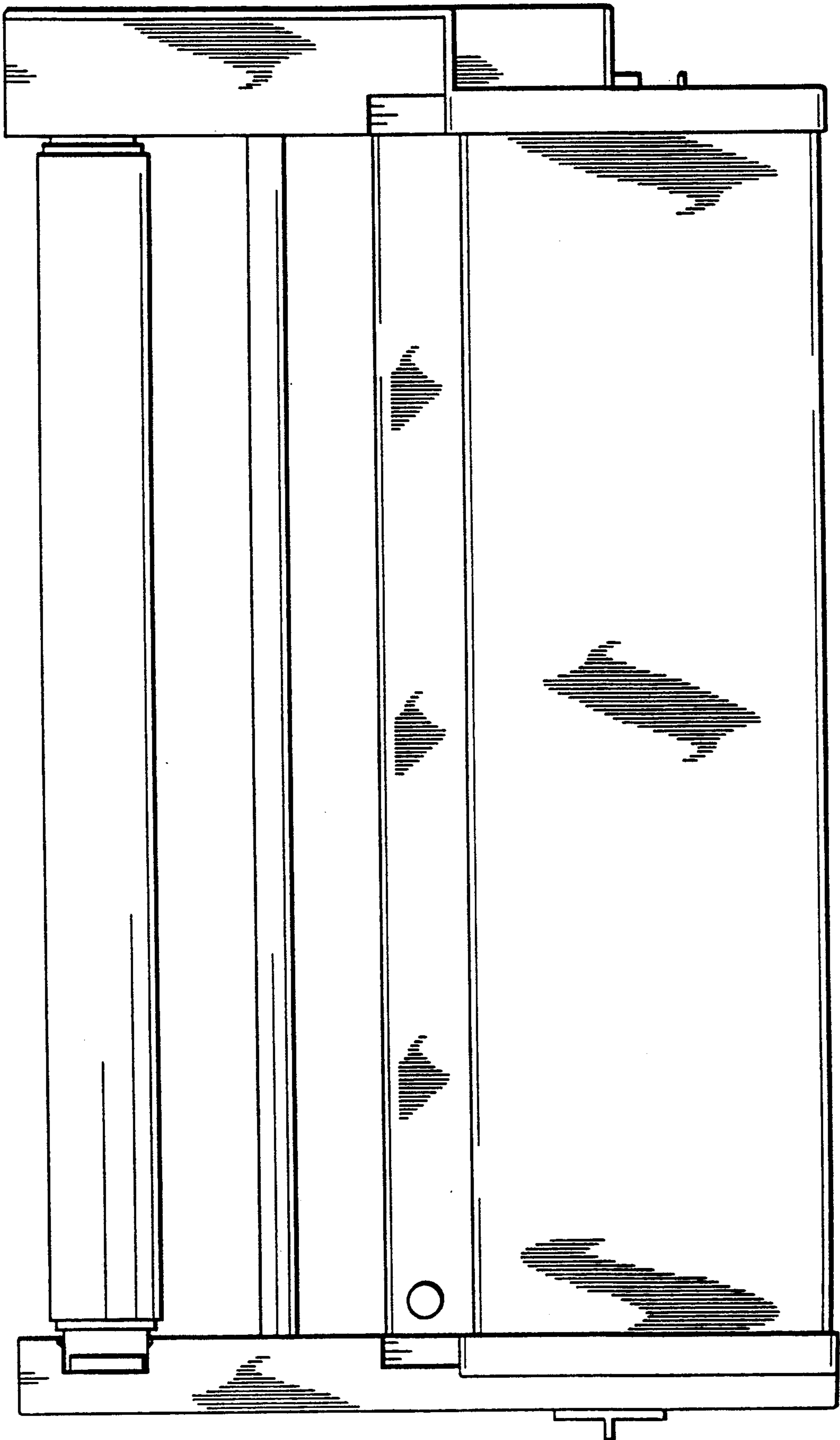


FIG. 3

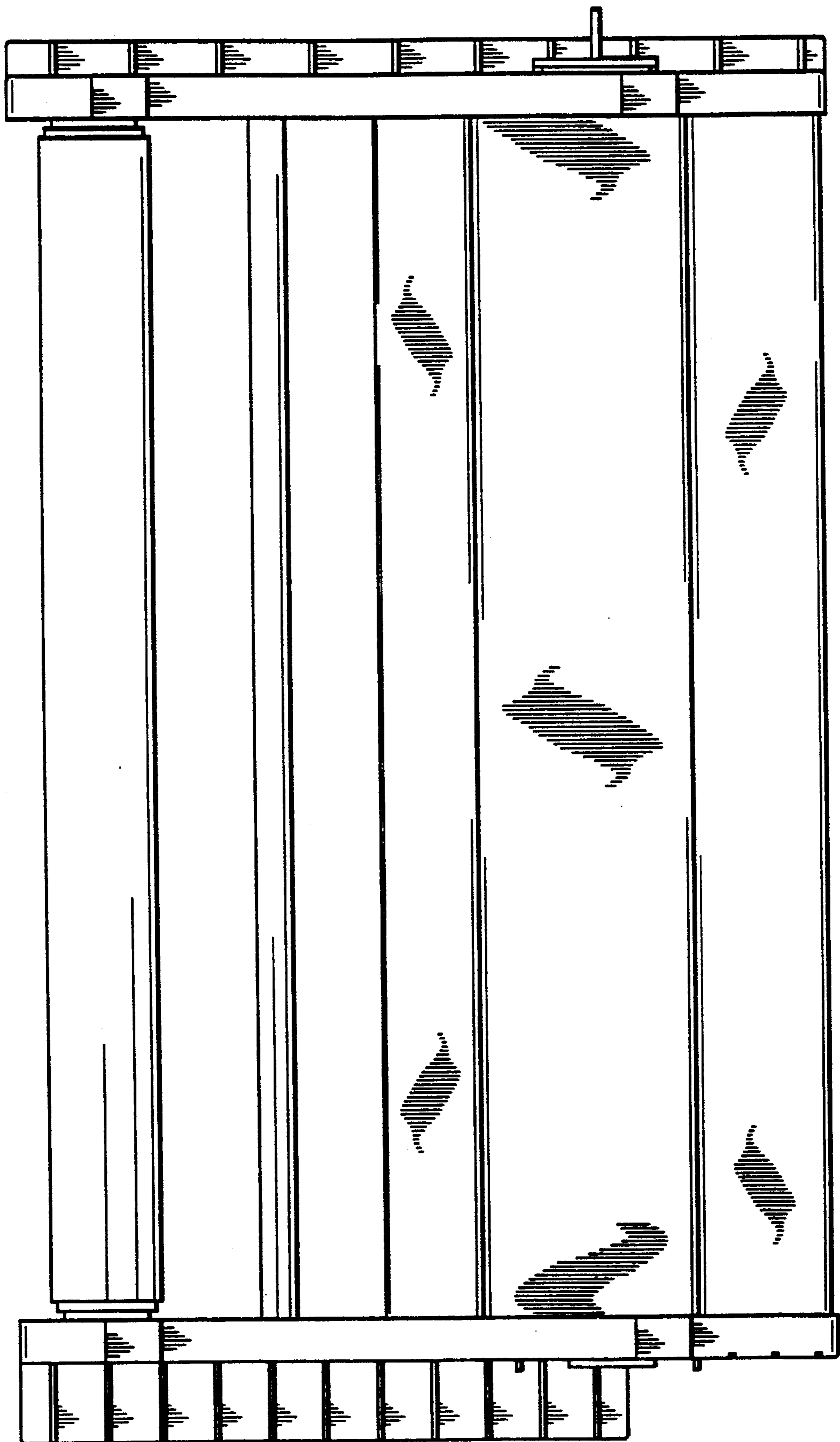


FIG. 4

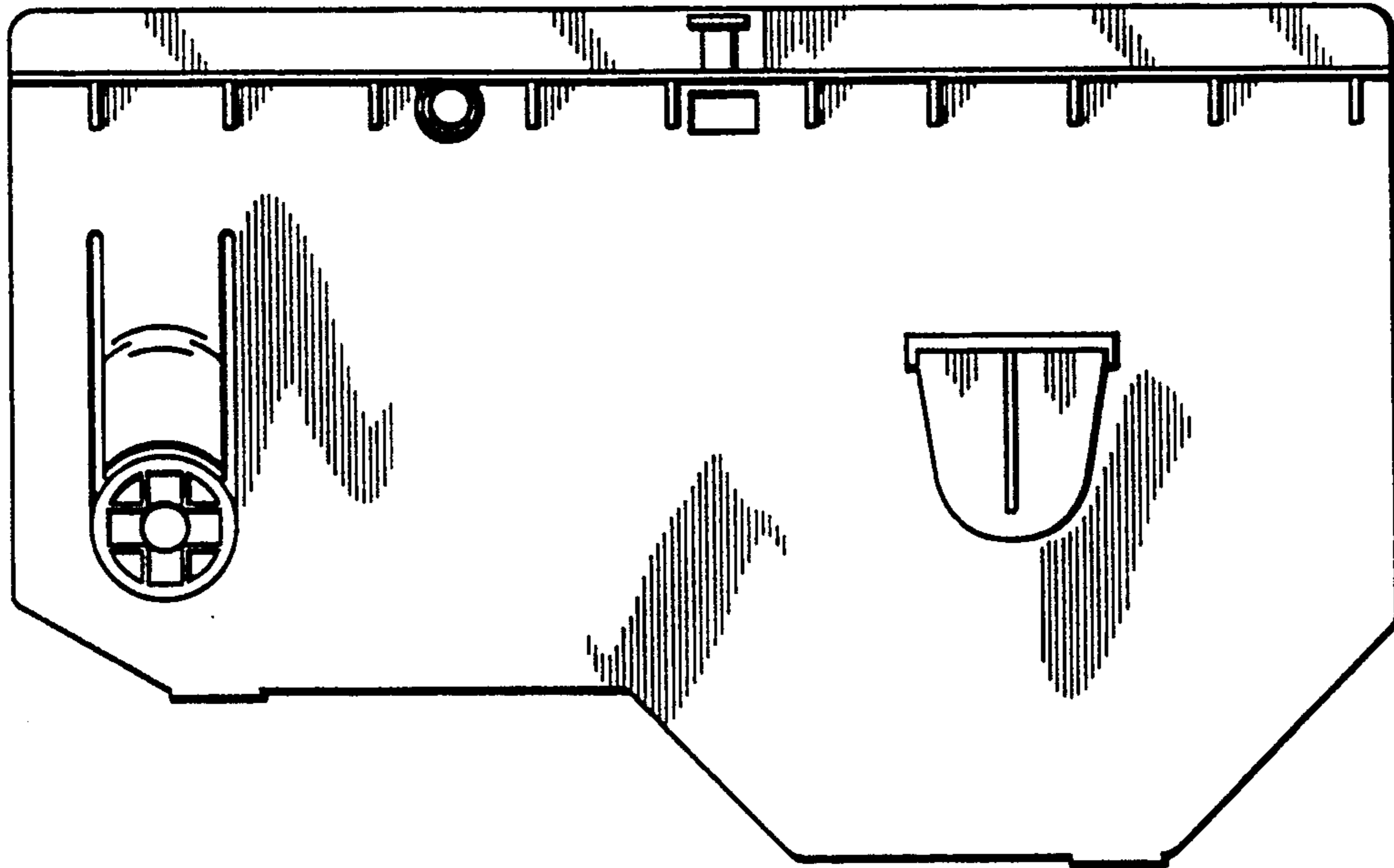
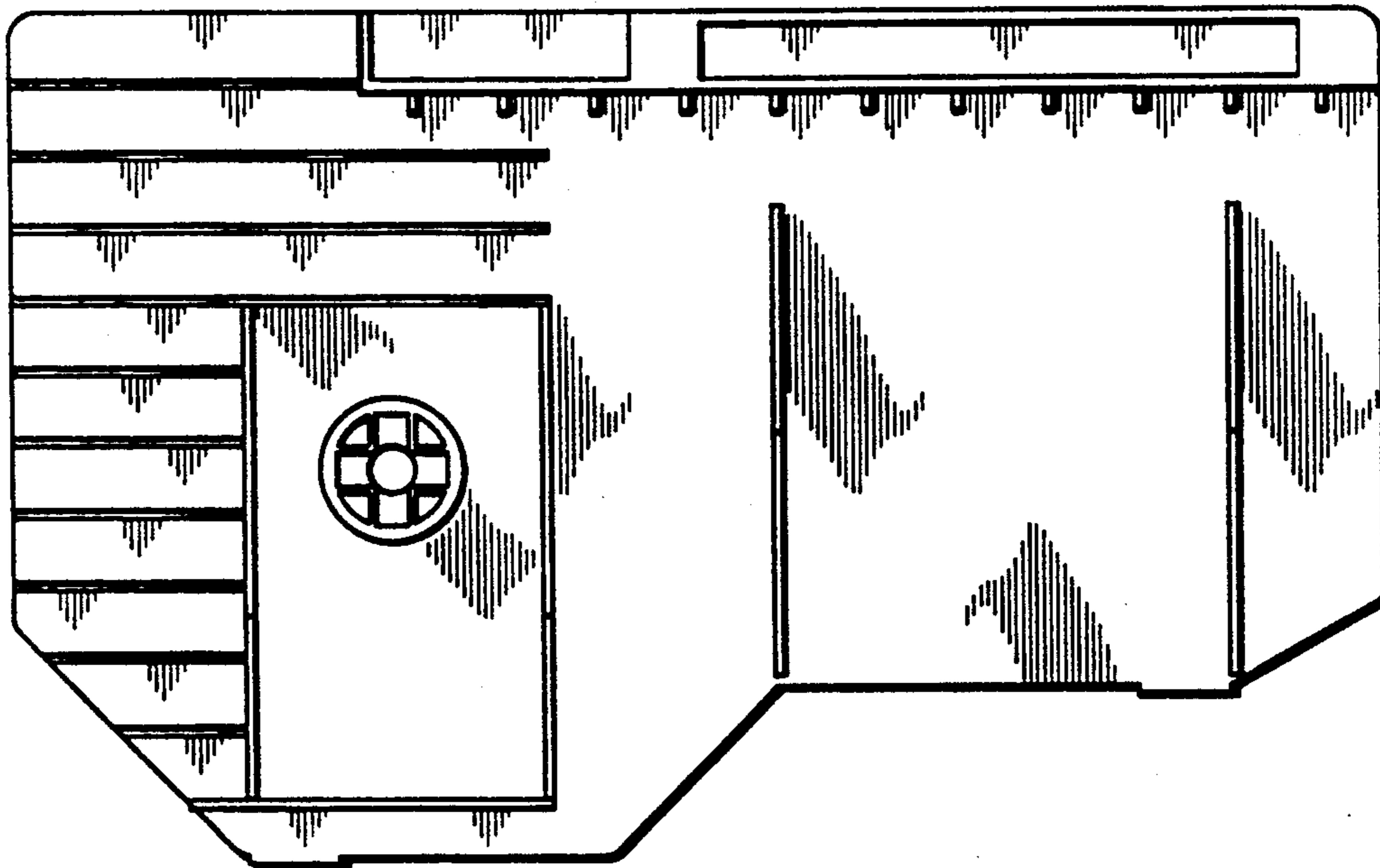


FIG. 5



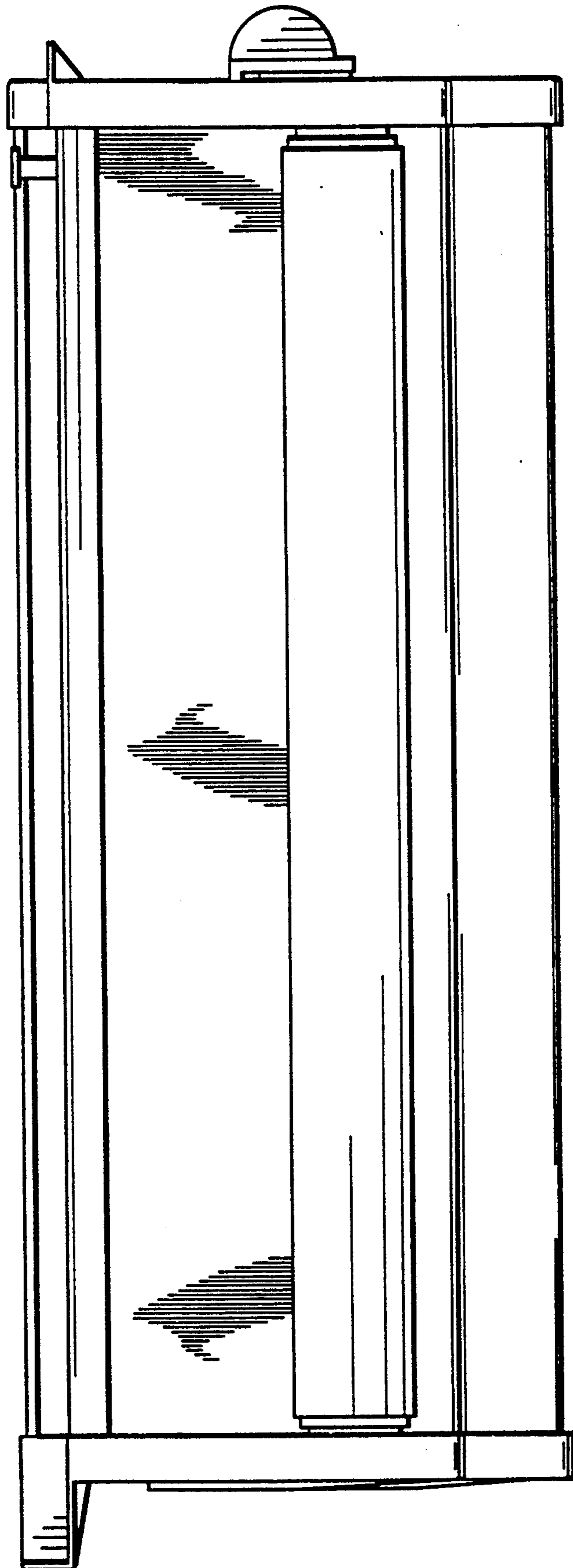


FIG. 6

FIG. 7

