



US00D326775S

United States Patent [19] Skillius

[11] Patent Number: **Des. 326,775**

[45] Date of Patent: **** Jun. 9, 1992**

[54] **TOOL BOX OR SIMILAR ARTICLE**

[75] Inventor: **Hans Skillius, Halmstad, Sweden**

[73] Assignee: **A/S E. Damberg Group, Denmark**

[**] Term: **14 Years**

[21] Appl. No.: **410,543**

[22] Filed: **Sep. 21, 1989**

[30] **Foreign Application Priority Data**

Mar. 22, 1989 [DK] Denmark 0337/89

Mar. 22, 1989 [DK] Denmark 0338/89

[52] U.S. Cl. **D3/74; D3/73**

[58] Field of Search **D3/30.1, 72, 74, 78;
D6/440; D9/341, 424; D19/75; D34/45;
206/372, 373; 220/94 R; 312/DIG. 33**

[56] **References Cited**

U.S. PATENT DOCUMENTS

D. 117,194	10/1939	O'Meara	D3/74
D. 194,808	3/1963	Stevens et al.	D3/74
D. 289,108	4/1987	Guibault	D3/30.1
1,893,527	1/1933	Shriver	312/DIG. 33
3,628,843	12/1971	Wynn et al.	206/315.11
3,907,105	9/1975	Nowak	D34/45
4,714,158	12/1987	Oltman et al.	206/349

4,720,021 1/1988 Byrns 206/373

Primary Examiner—A. Hugo Word

Assistant Examiner—Celia A. Murphy

Attorney, Agent, or Firm—Mason, Fenwick & Lawrence

[57] **CLAIM**

The ornamental design for a tool box or similar article, as shown and described.

DESCRIPTION

FIG. 1 is a top perspective view of a tool box or similar article showing my new design;

FIG. 2 is a bottom perspective view thereof;

FIG. 3 is a top perspective view thereof, the handles shown in an upright position;

FIG. 4 is a top perspective view thereof, the lids shown open;

FIG. 5 is a top perspective view of an alternate embodiment of the design shown in FIG. 1;

FIG. 6 is a bottom perspective view of FIG. 5;

FIG. 7 is a top perspective view of FIG. 5, the handles shown upright;

FIG. 8 is a top perspective view of FIG. 5, the lid shown open, and the drawers shown extended;

FIG. 9 is an enlarged top plan view of FIG. 4;

FIG. 10 is an enlarged bottom plan view of FIG. 8; and, FIG. 11 is a left side elevational view of FIG. 10.

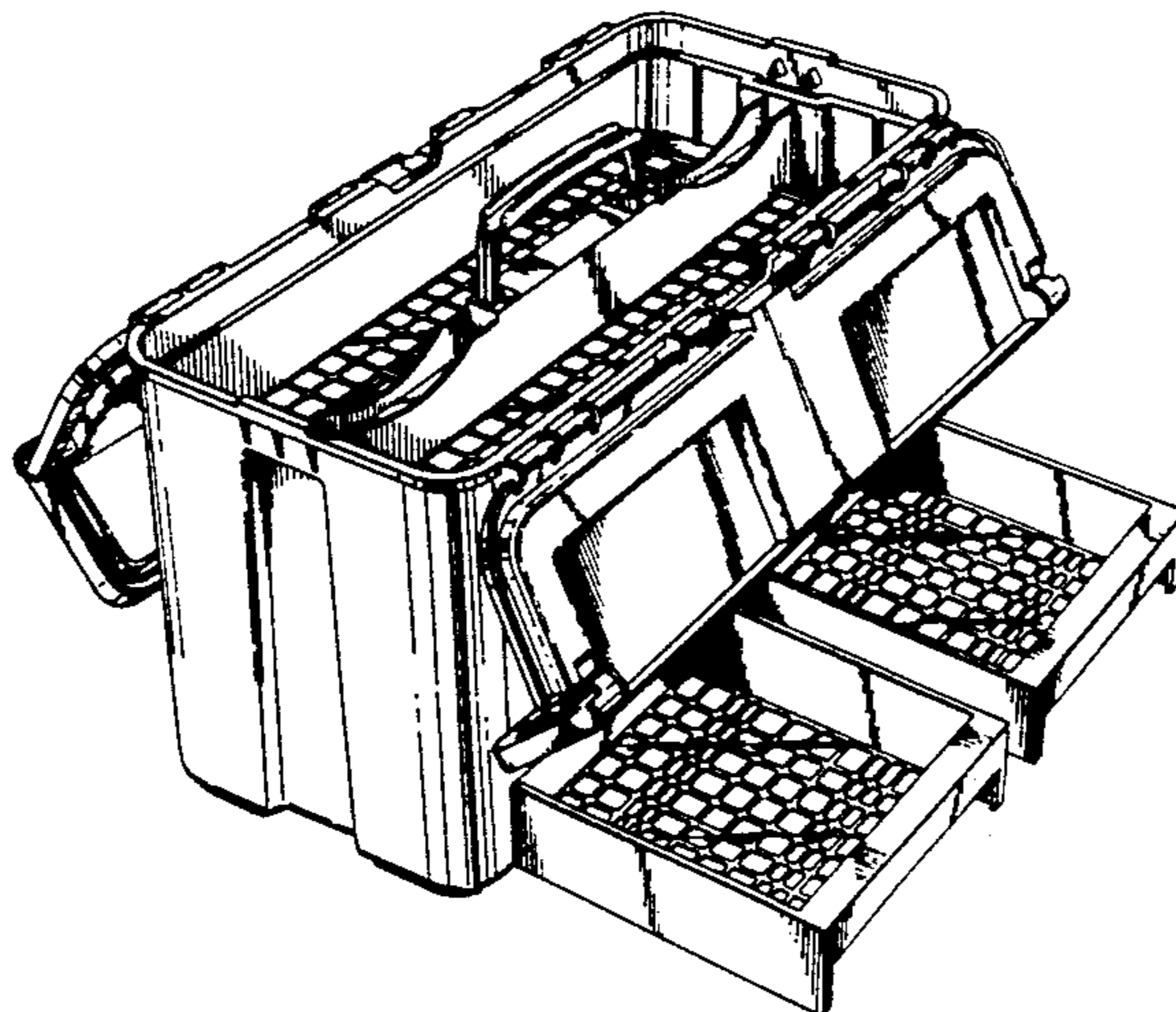
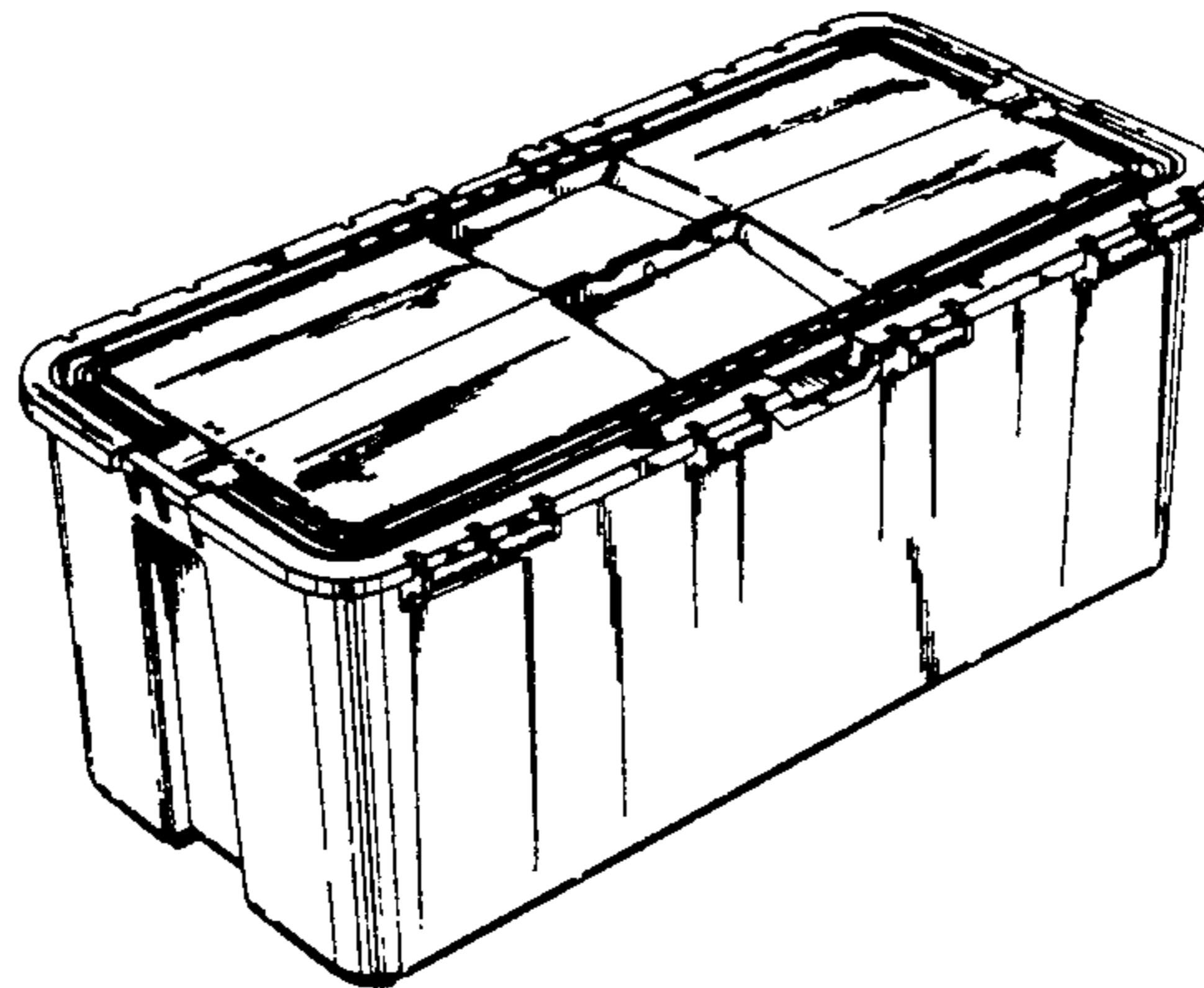


Fig. 1.

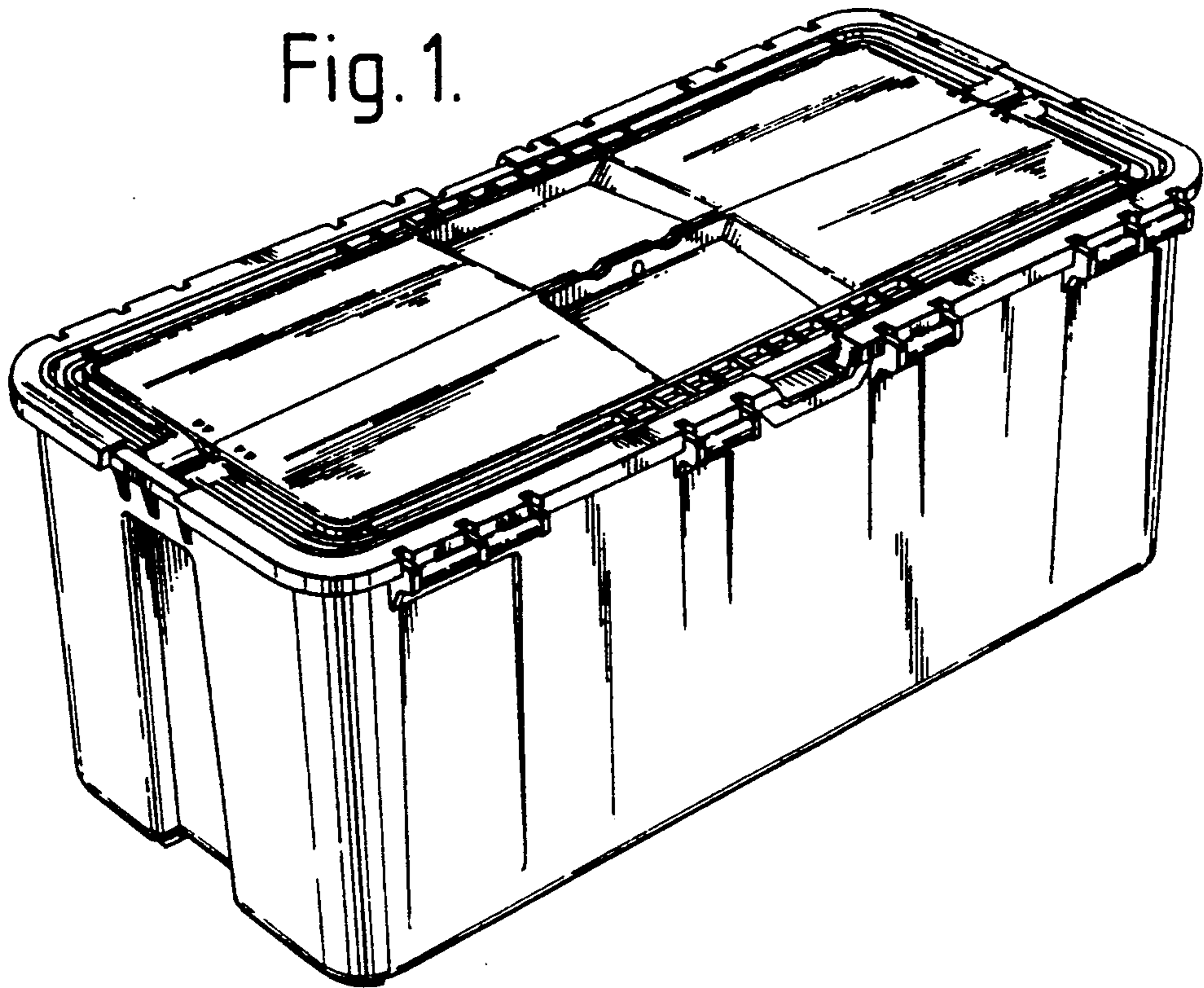


Fig. 2.

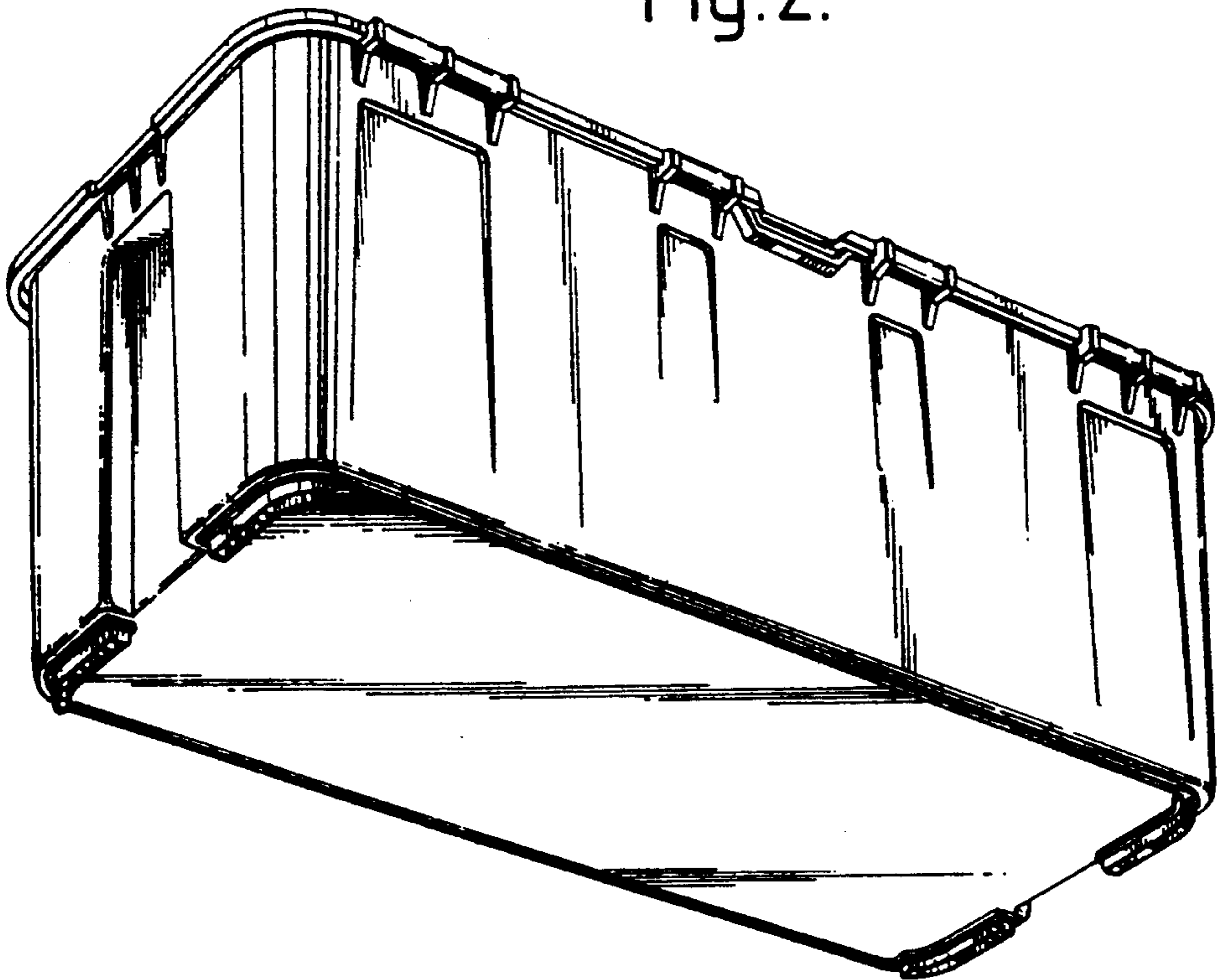


Fig. 3.

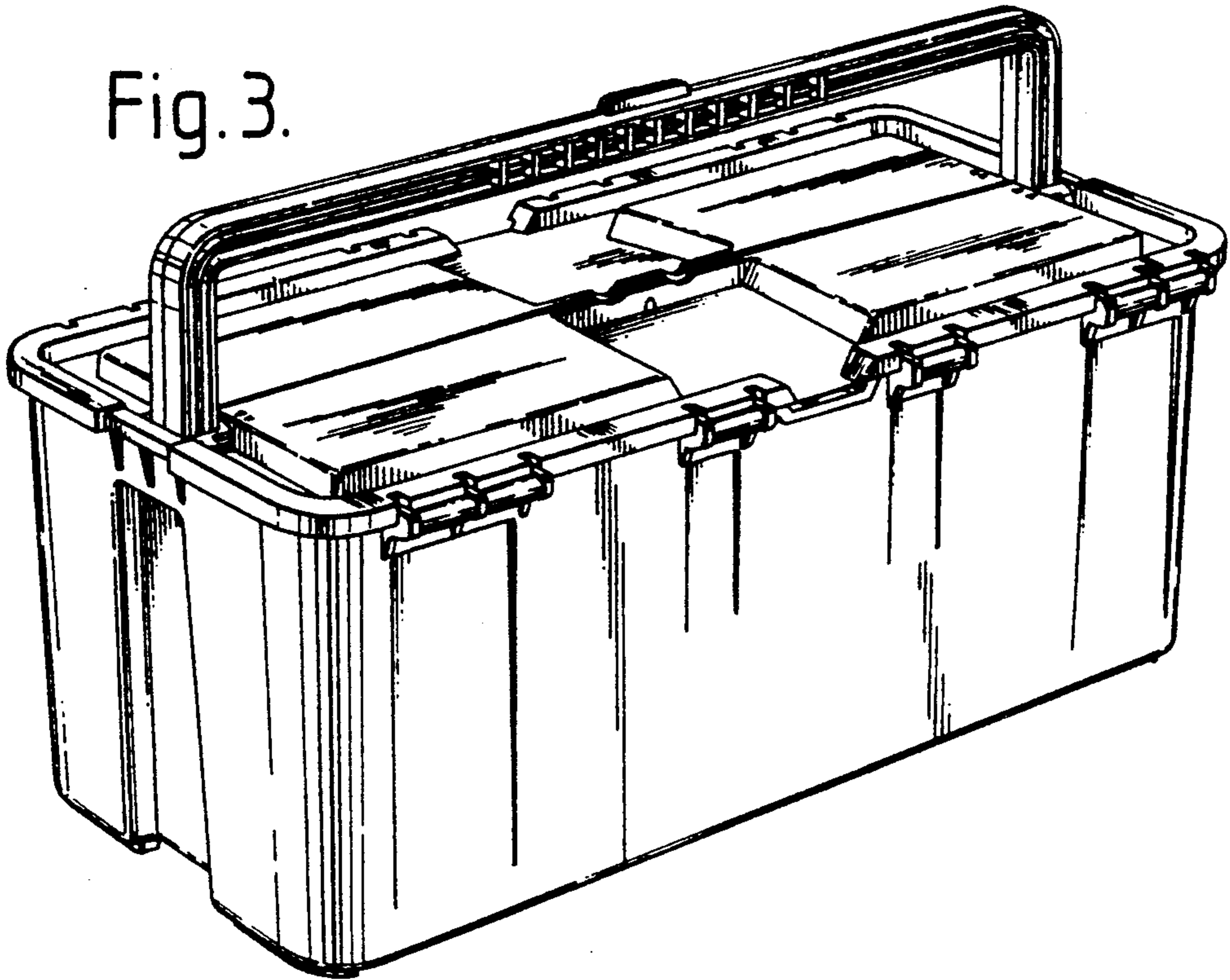


Fig. 4.

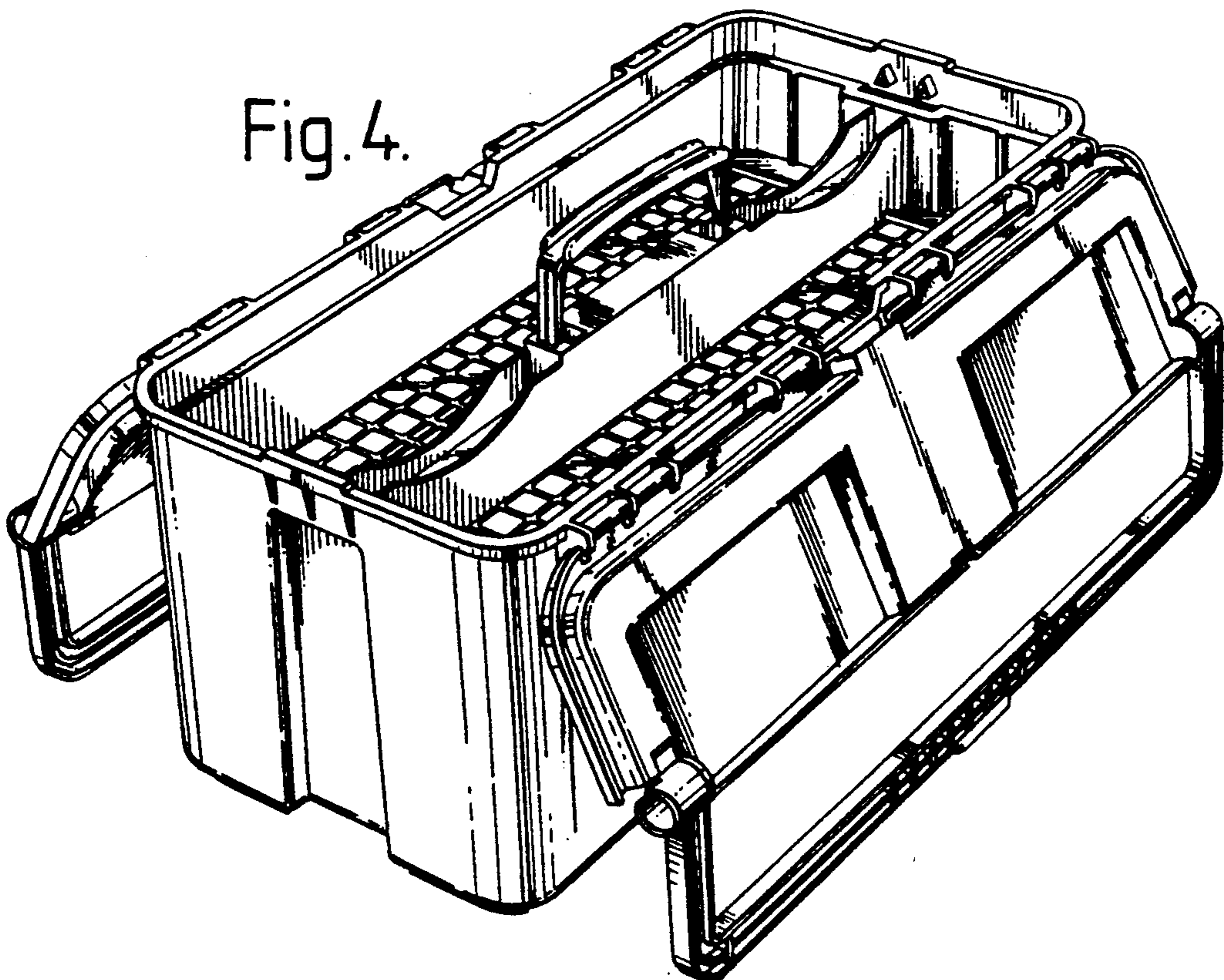


Fig. 5

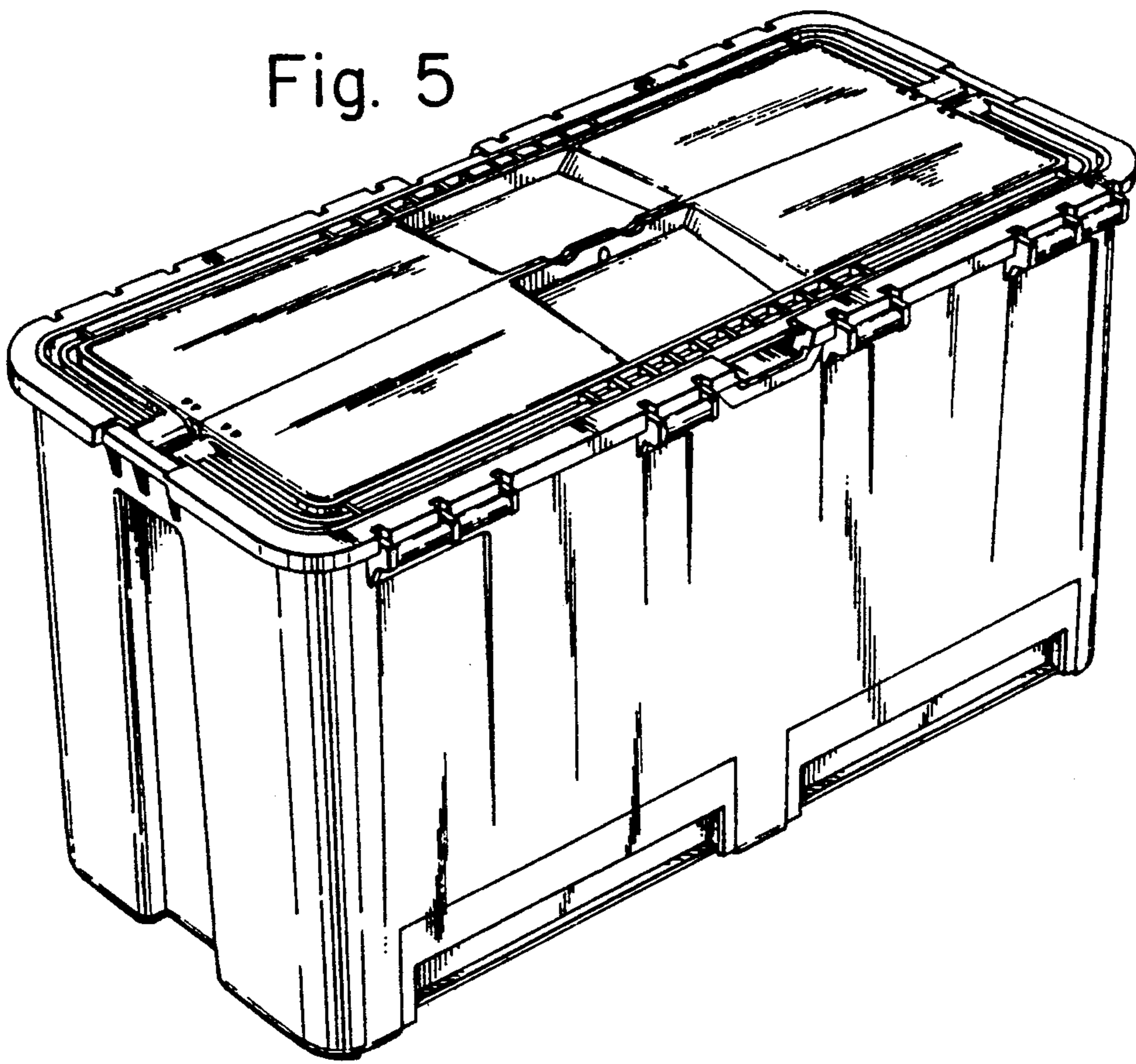


Fig. 6

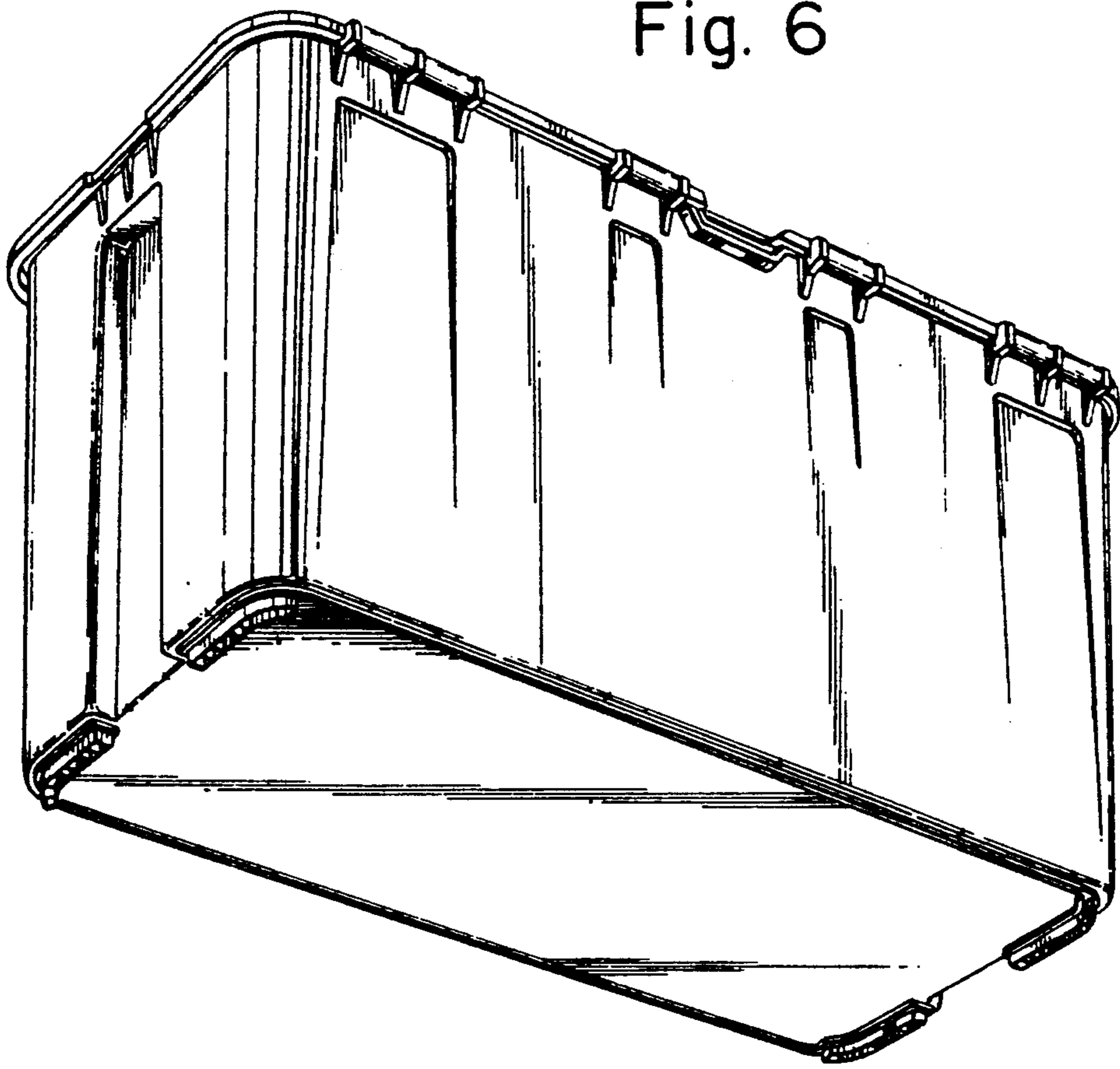


Fig. 7

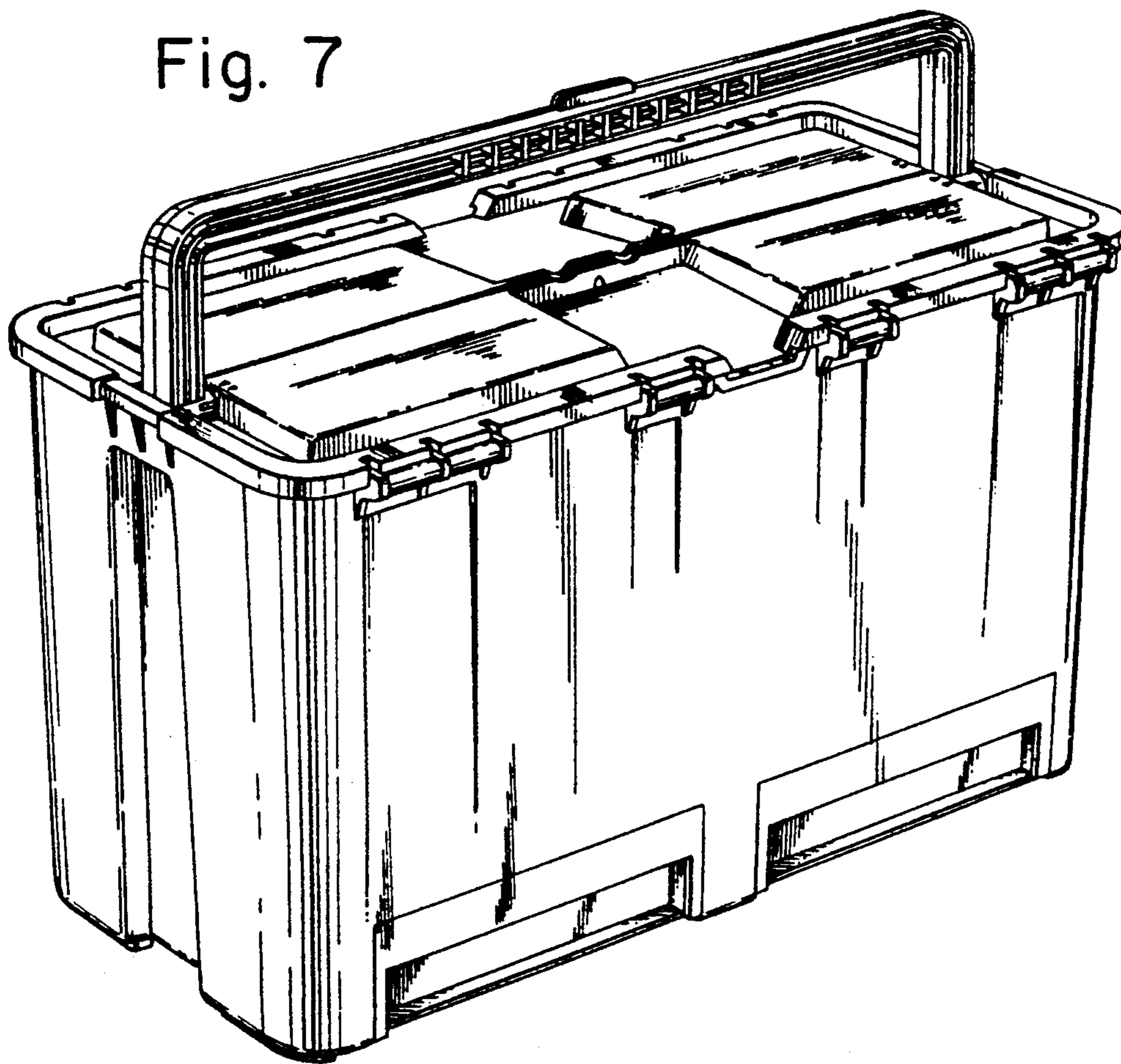
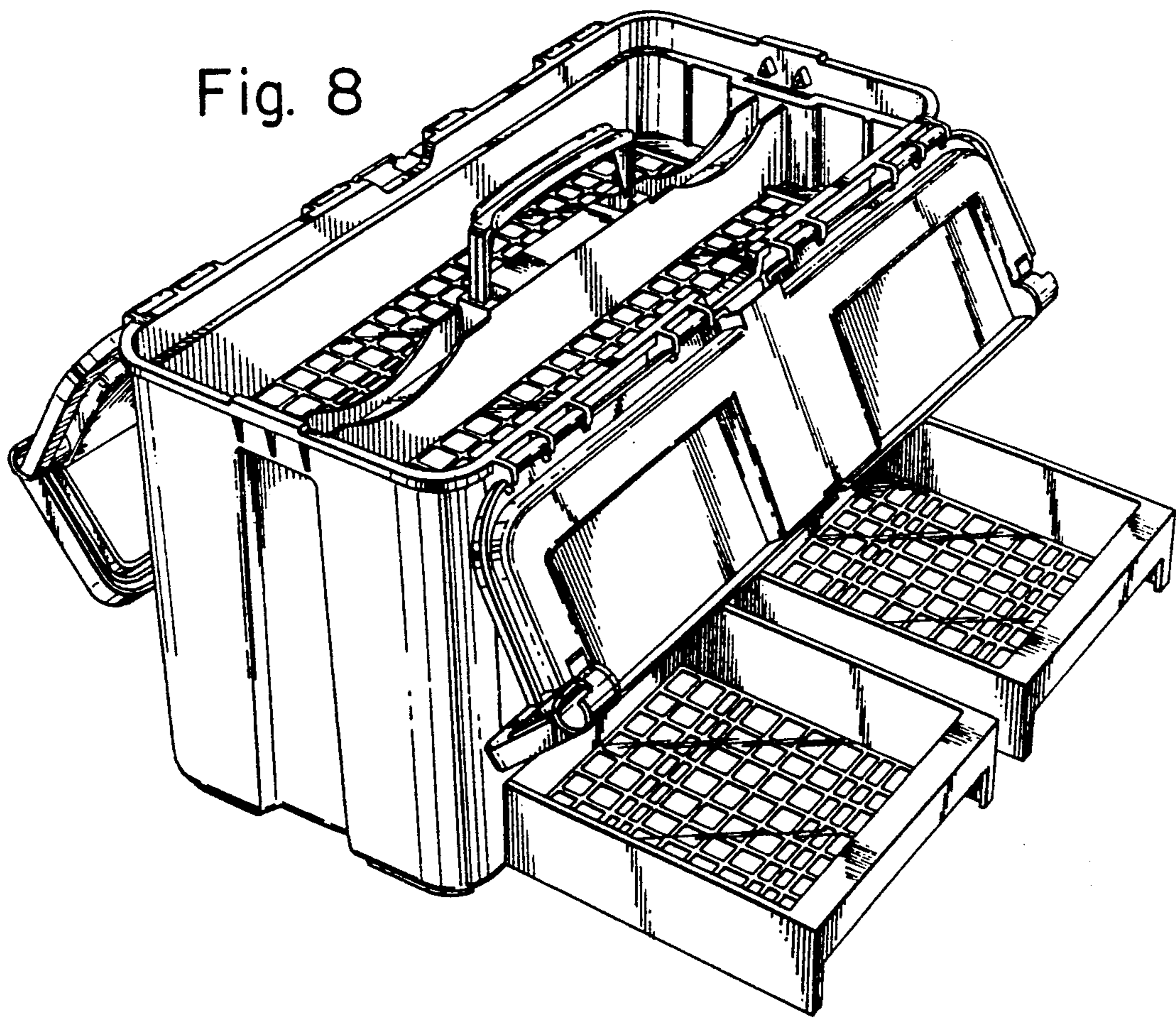


Fig. 8



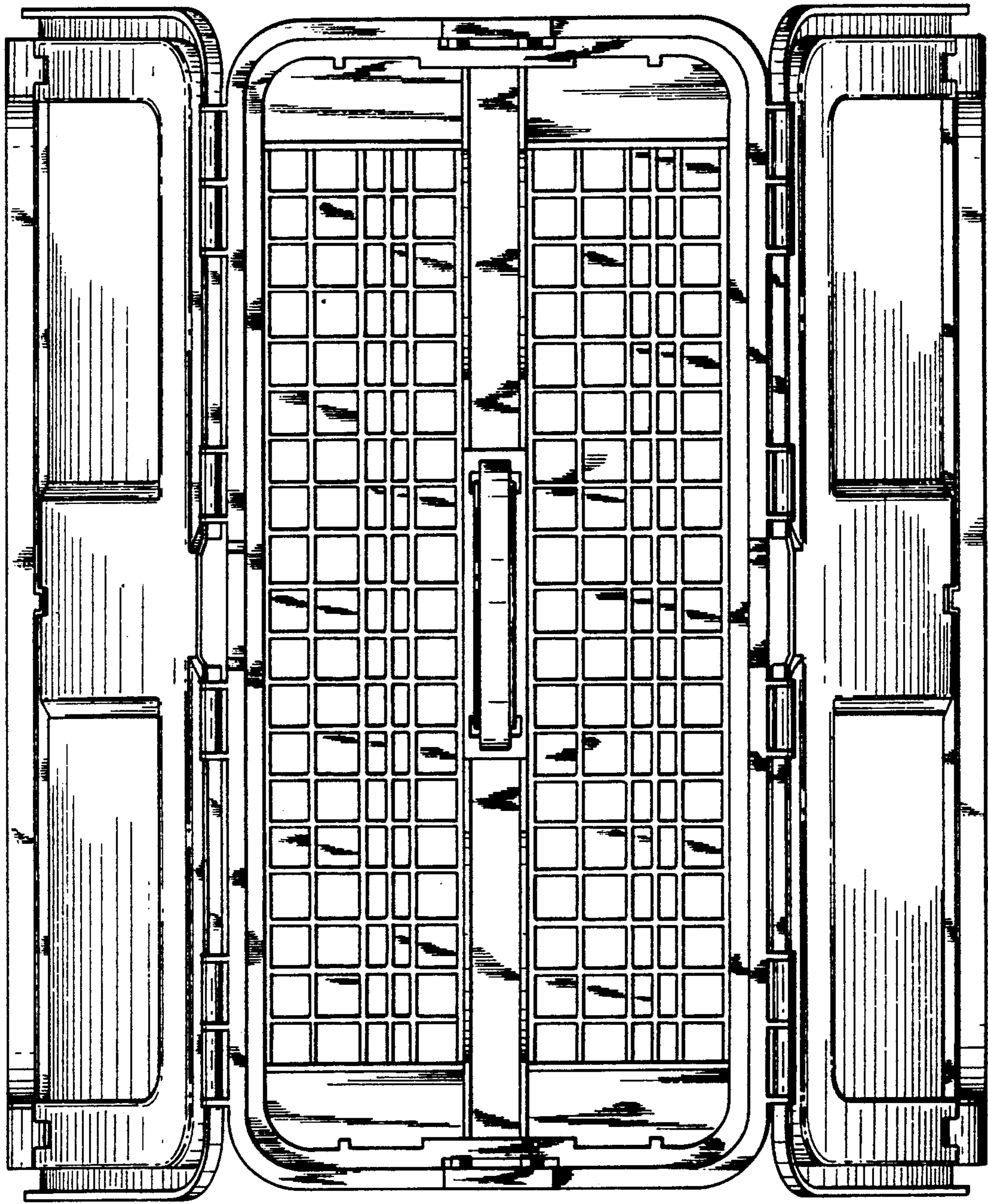


Fig. 9

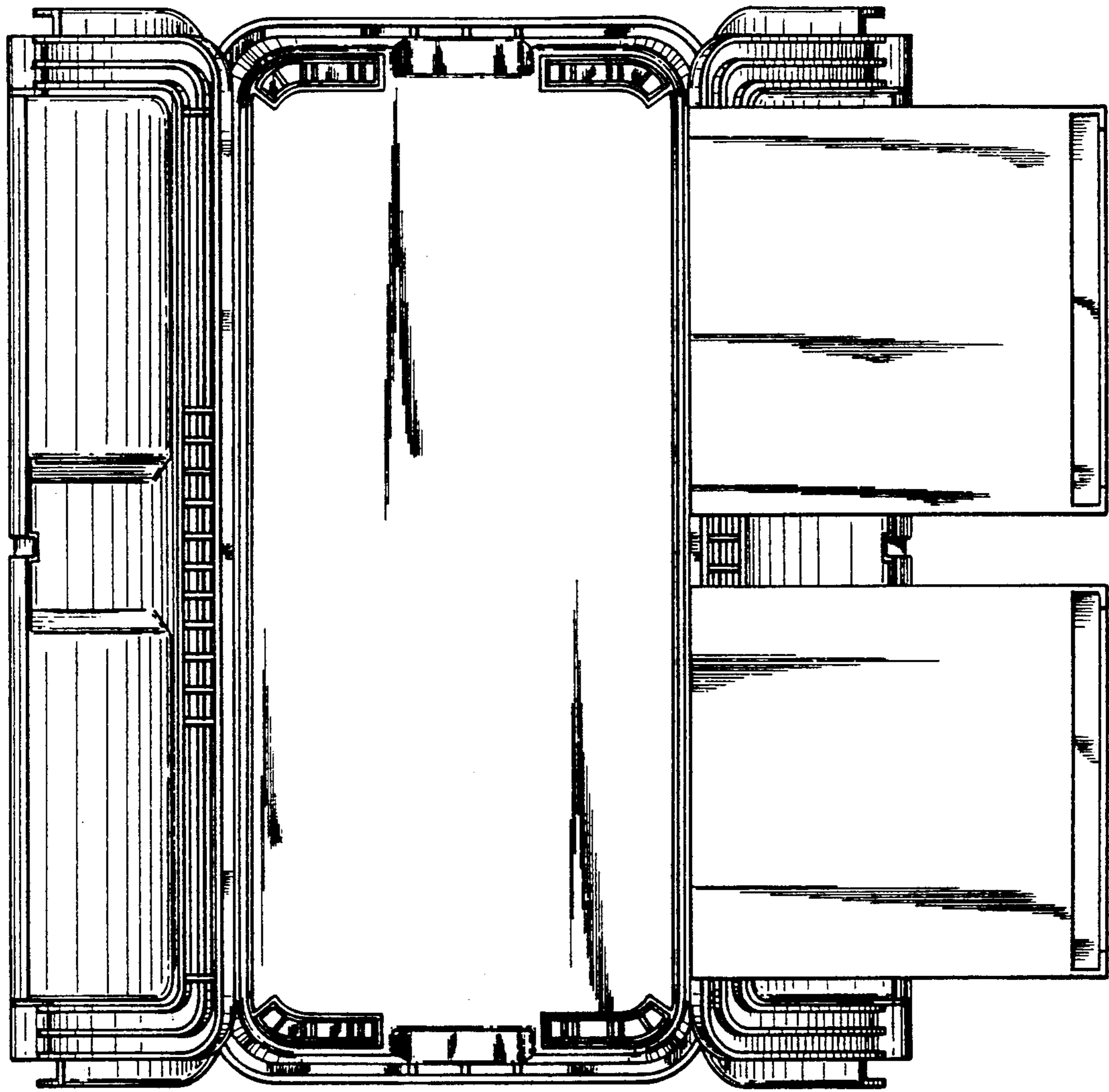


Fig. 10

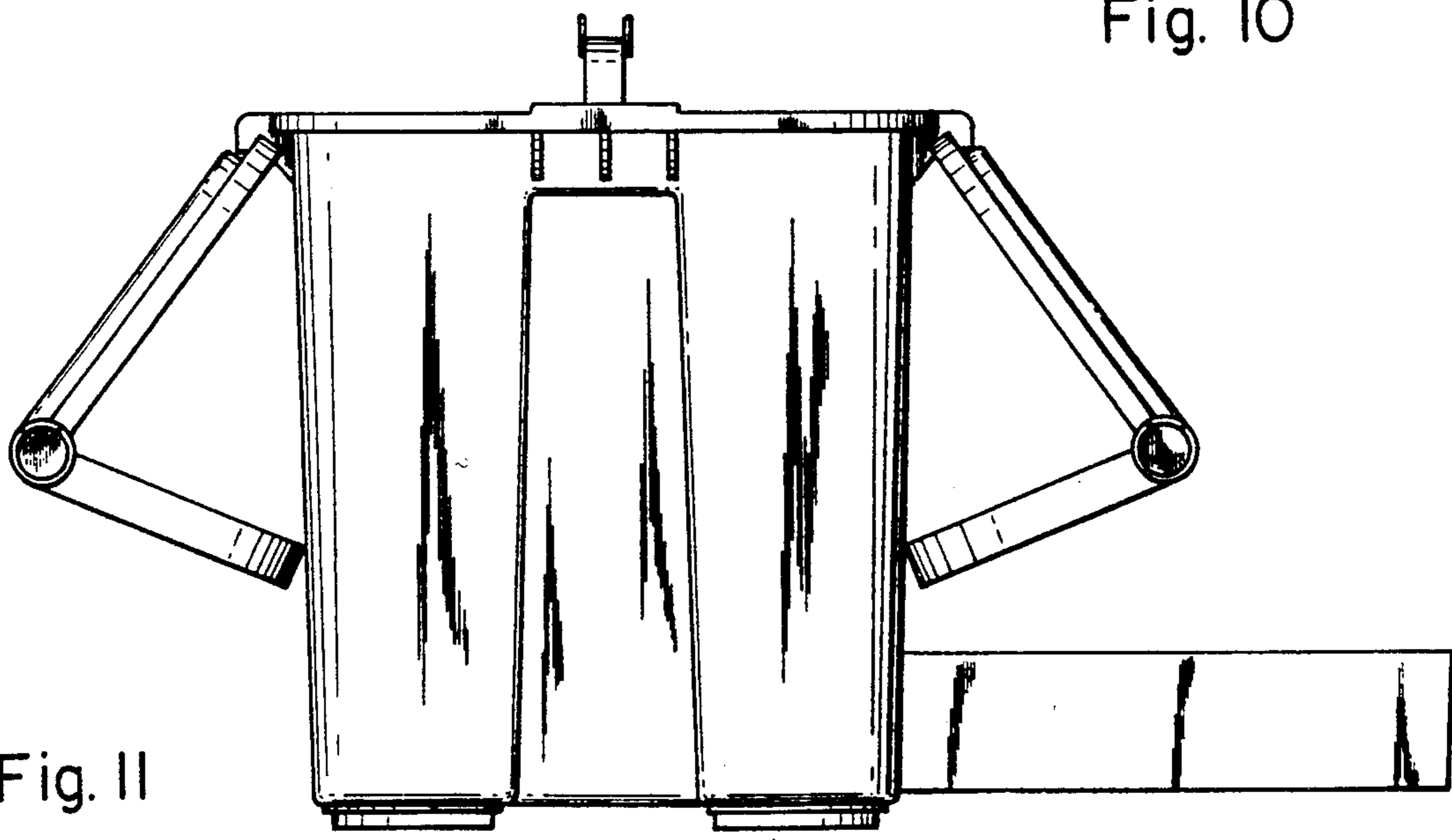


Fig. 11