



US00D326754S

United States Patent [19]
Hradisky

[11] **Patent Number: Des. 326,754**

[45] **Date of Patent: ** Jun. 2, 1992**

[54] **WASTEBASKET**

[75] **Inventor: John L. Hradisky, Medina, Ohio**

[73] **Assignee: Rubbermaid Incorporated, Wooster, Ohio**

[**] **Term: 14 Years**

[21] **Appl. No.: 461,440**

[22] **Filed: Jan. 5, 1990**

[52] **U.S. Cl. D34/7; D34/8**

[58] **Field of Search D34/1, 7, 8, 9; 220/908, 909, 910, 263, 262, 337, 264; 232/1 R**

[56] **References Cited**

U.S. PATENT DOCUMENTS

- D. 217,498 5/1970 Dilyard .
- D. 281,111 10/1985 McClelland .
- D. 309,209 7/1990 Oliemans et al. D34/7
- 4,776,478 10/1988 Miller et al. D34/8
- 4,785,964 11/1988 Miller et al. 220/263

OTHER PUBLICATIONS

P. 33. Rubbermaid Incorporated, 1147 Akron Road, Wooster, OH 44691, Publication date 1988.

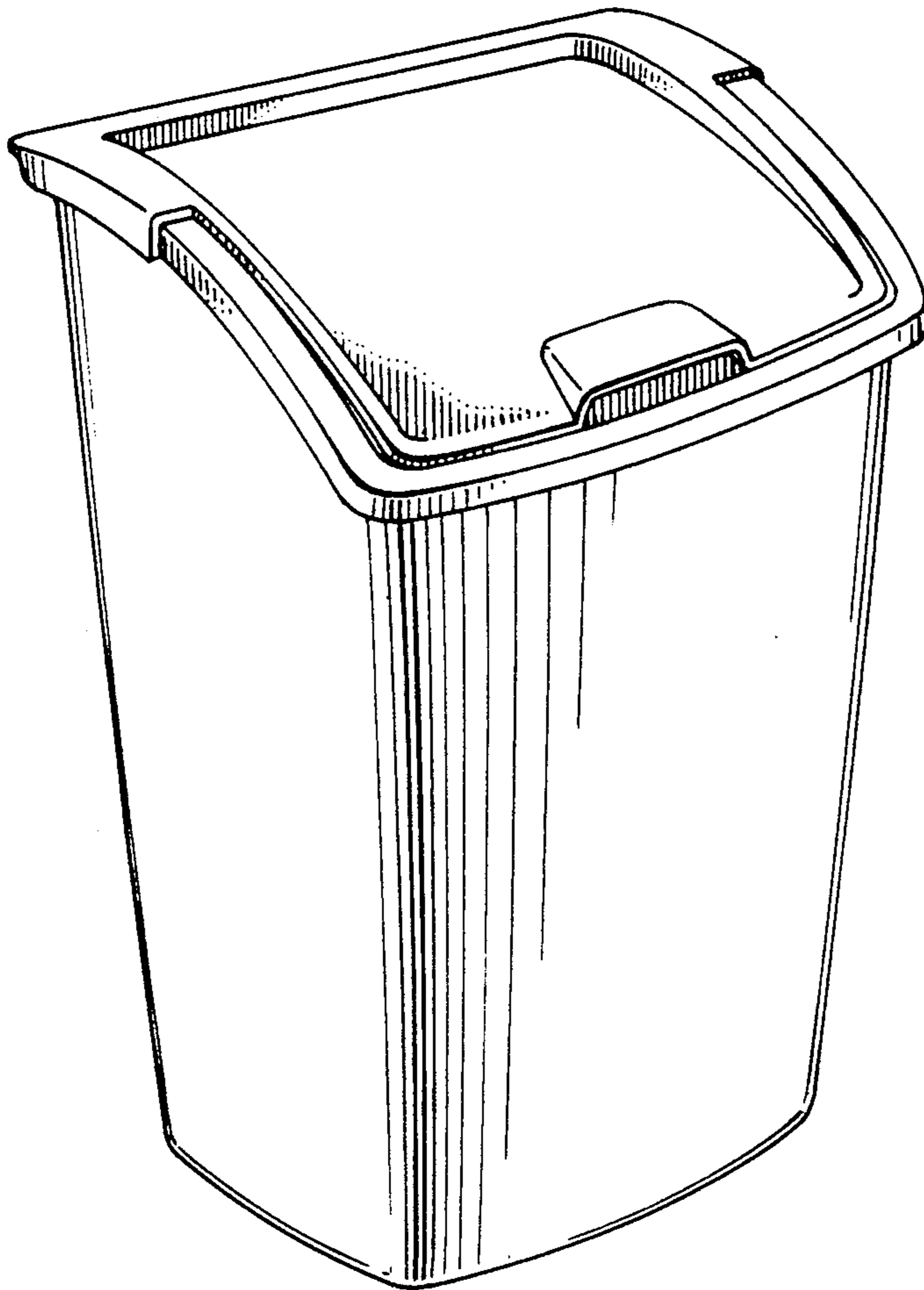
Primary Examiner—Kay H. Chin
Attorney, Agent, or Firm—Richard B. O'Planick

[57] **CLAIM**

The ornamental design for a wastebasket, as shown and described.

DESCRIPTION

FIG. 1 is a top and front perspective view of a wastebasket showing my new design;
 FIG. 2 is a top and front perspective view thereof with its lid in an open condition;
 FIG. 3 is a front elevational view thereof;
 FIG. 4 is a top plan view thereof;
 FIG. 5 is a rear elevational view thereof;
 FIG. 6 is a bottom plan view thereof;
 FIG. 7 is a side elevational view thereof; the opposite side being a mirror image; and,
 FIG. 8 is a cross sectional view thereof taken along line 8—8 of FIG. 4.



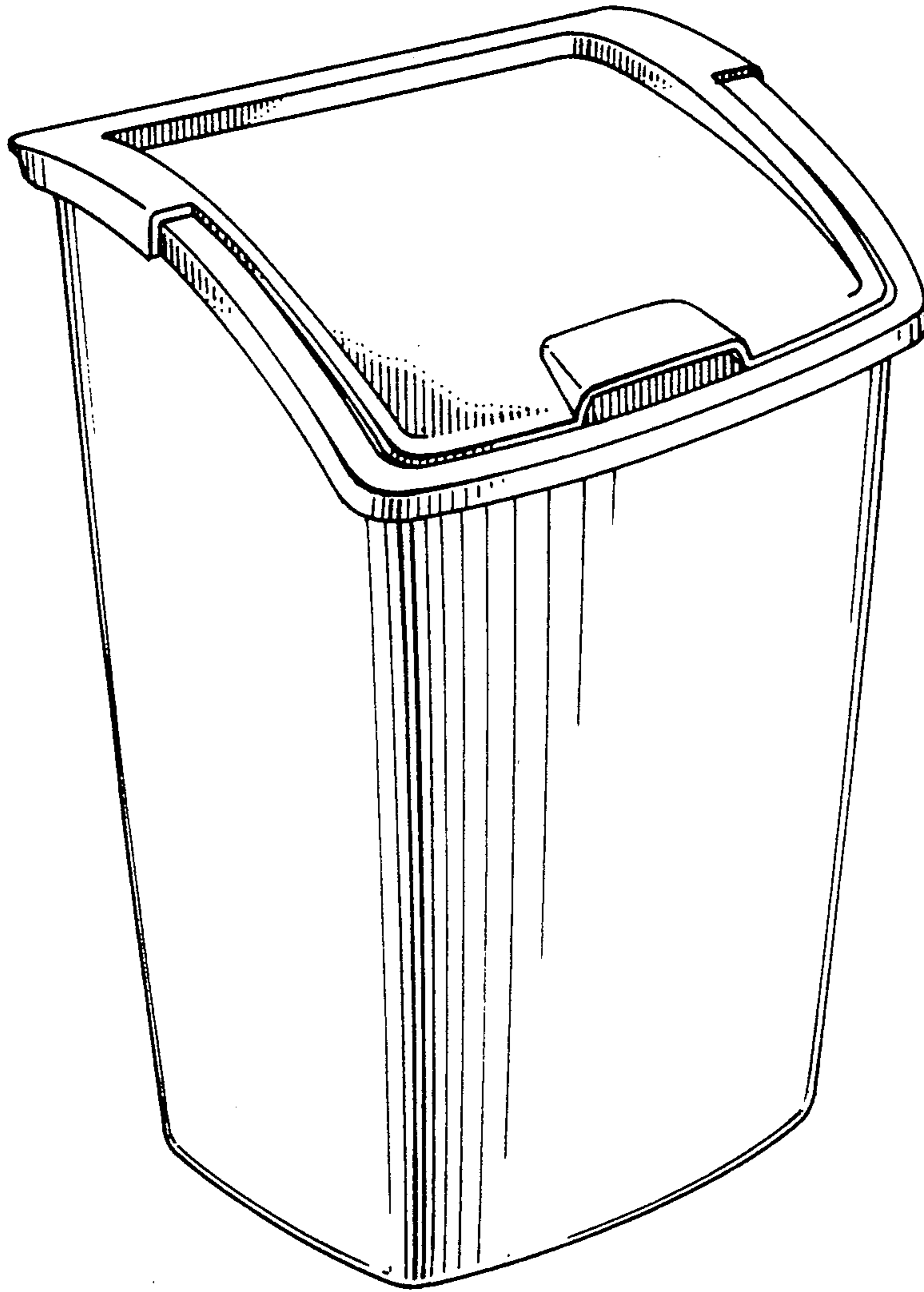


FIG. 1

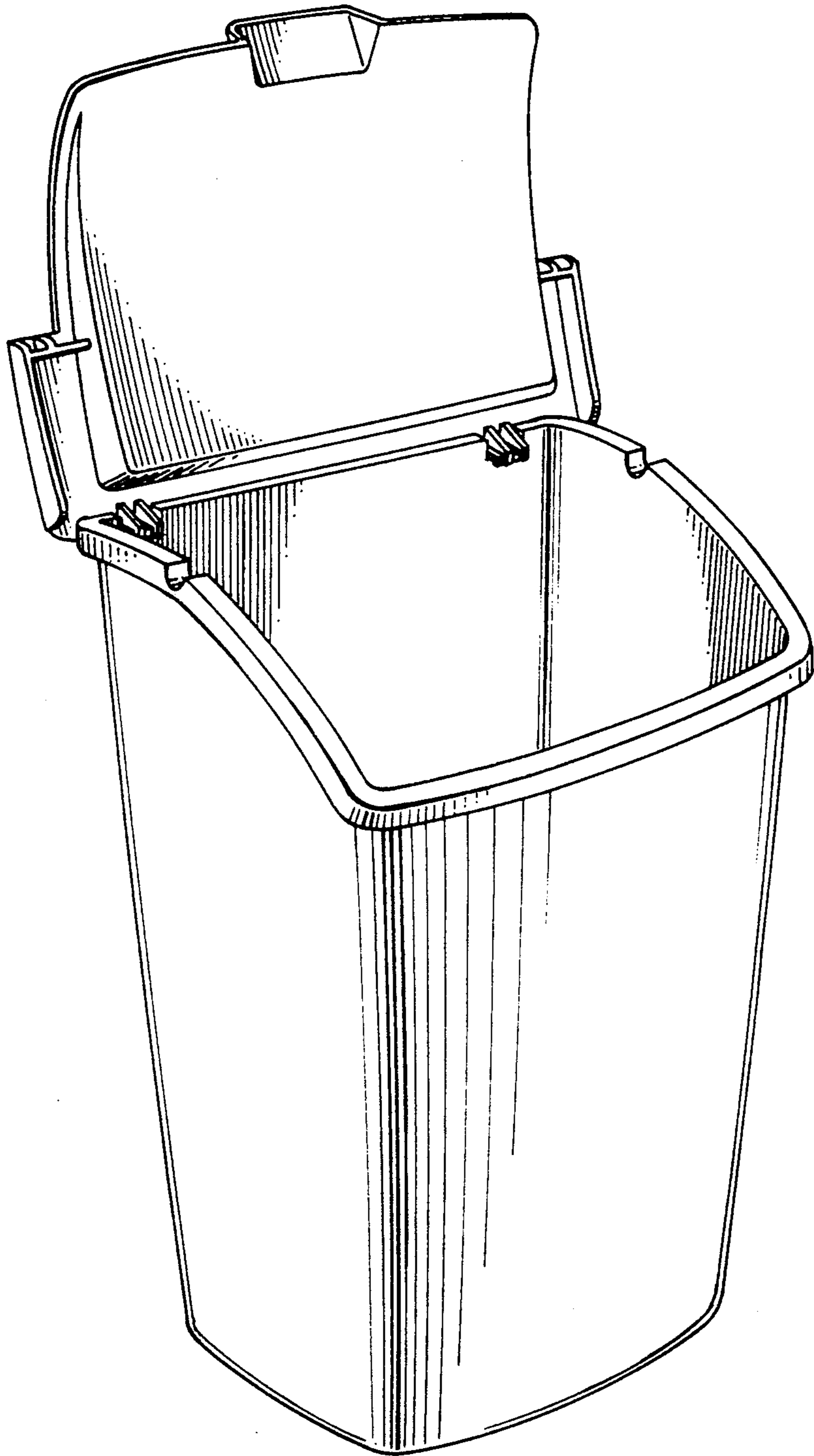


FIG. 2

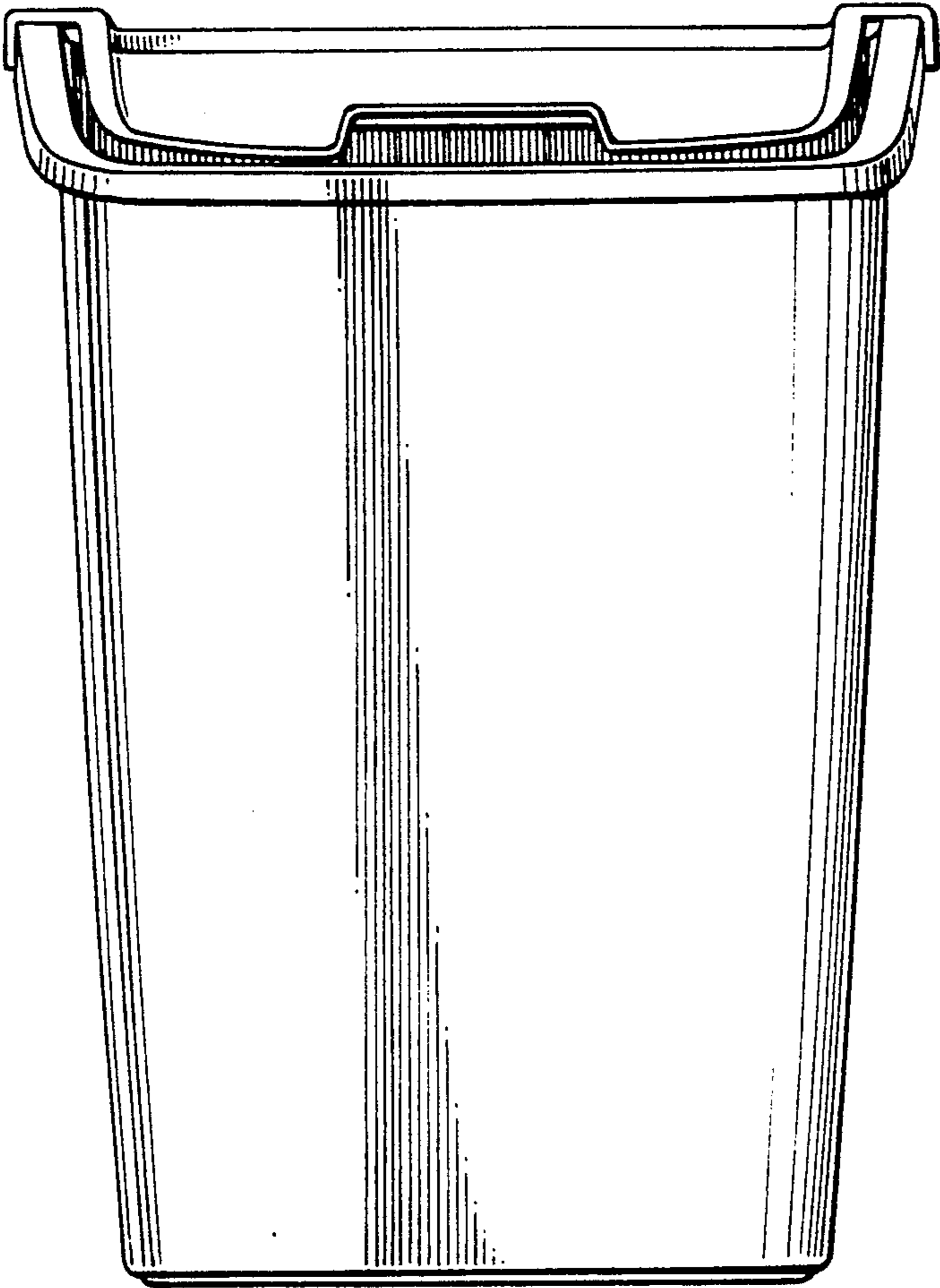


FIG. 3

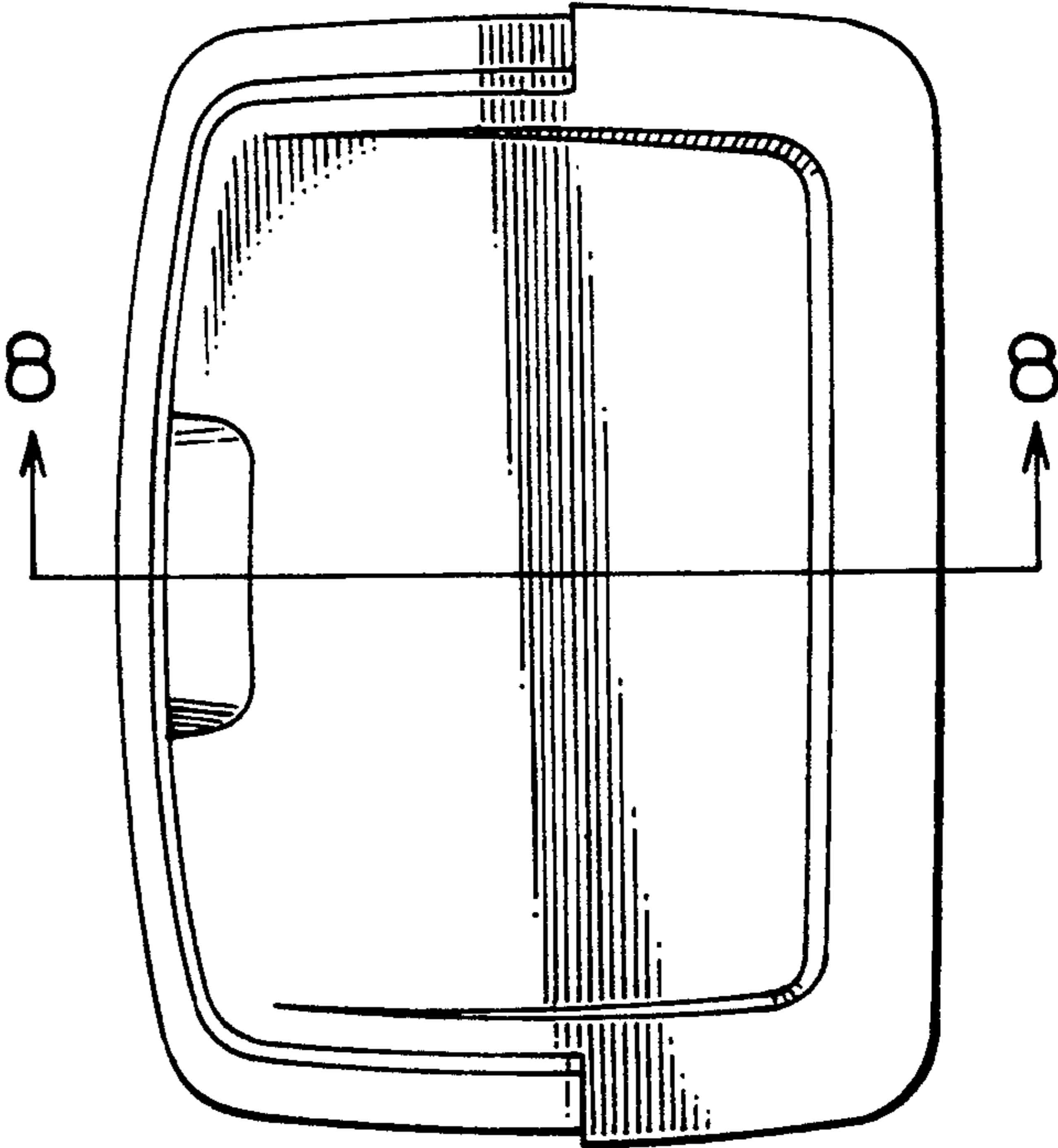


FIG. 4

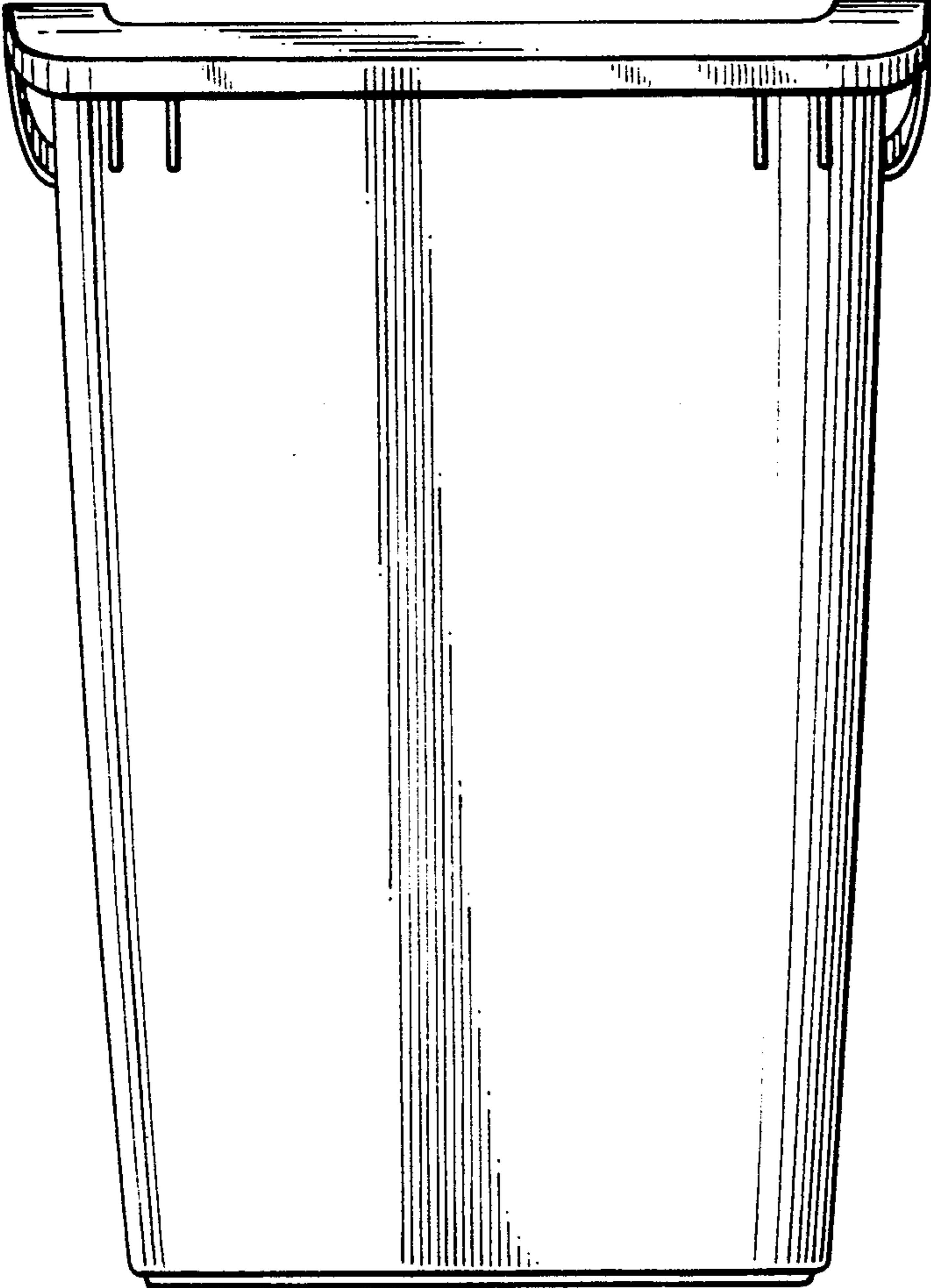


FIG. 5

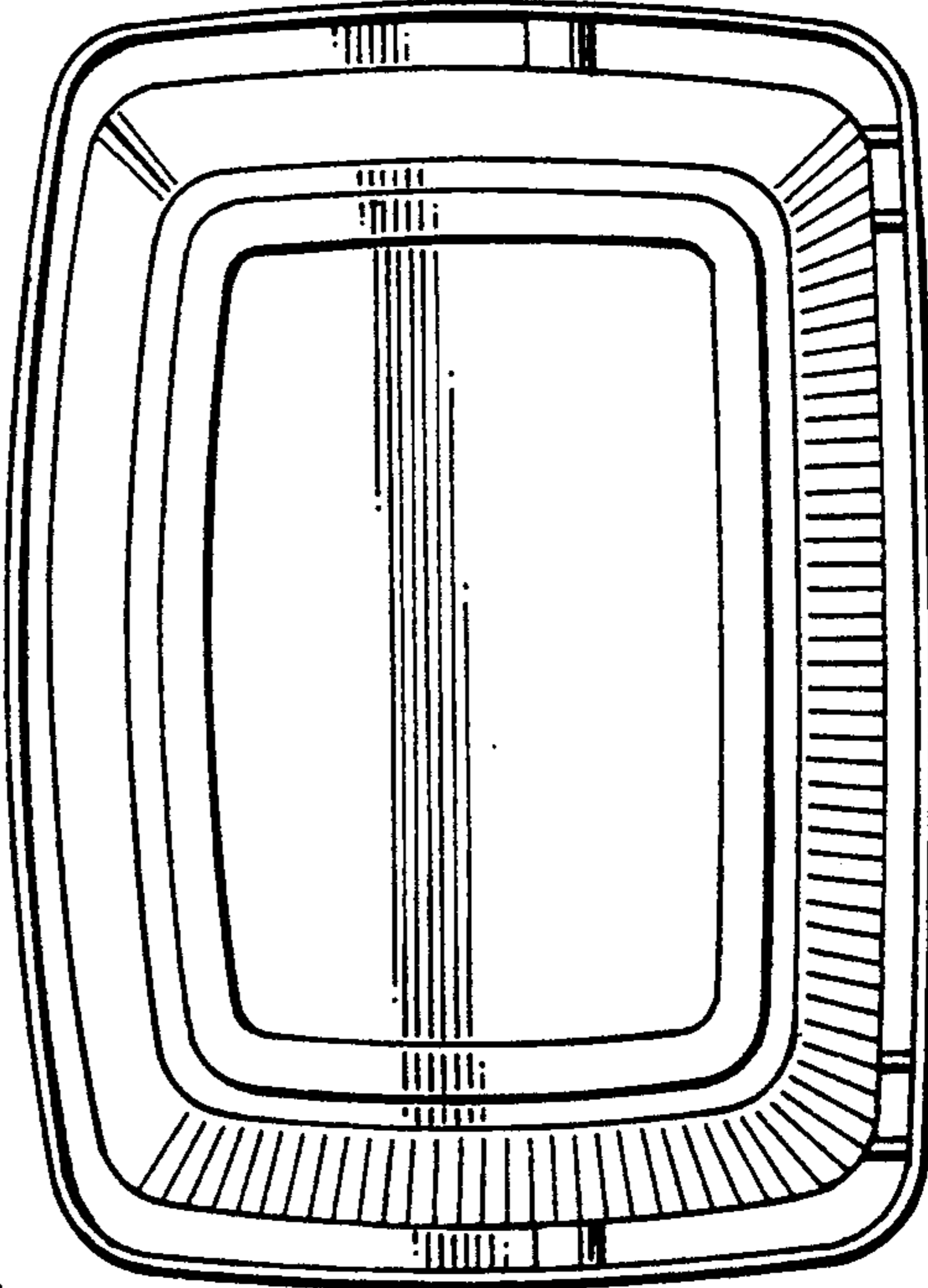


FIG. 6

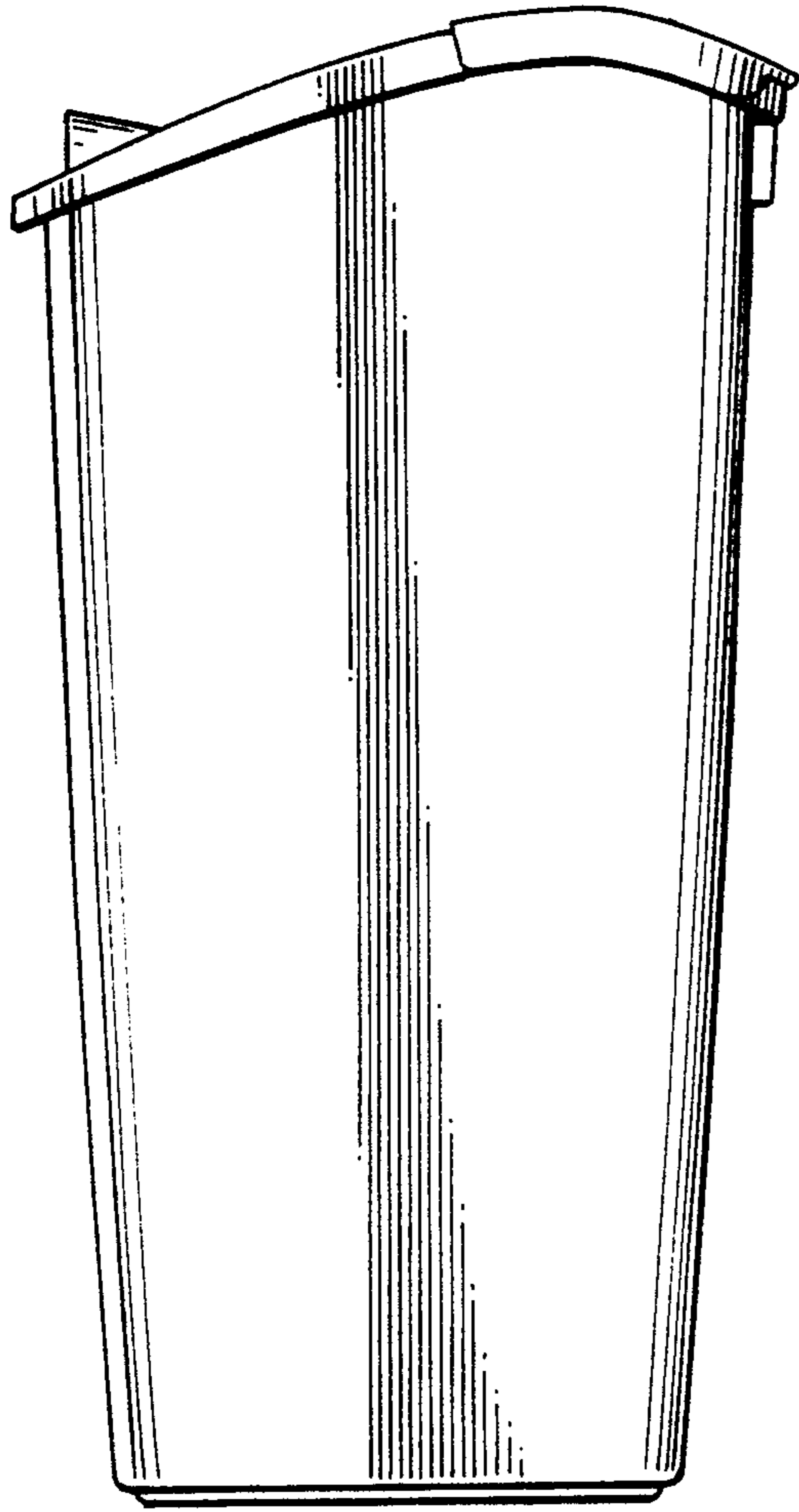


FIG. 7

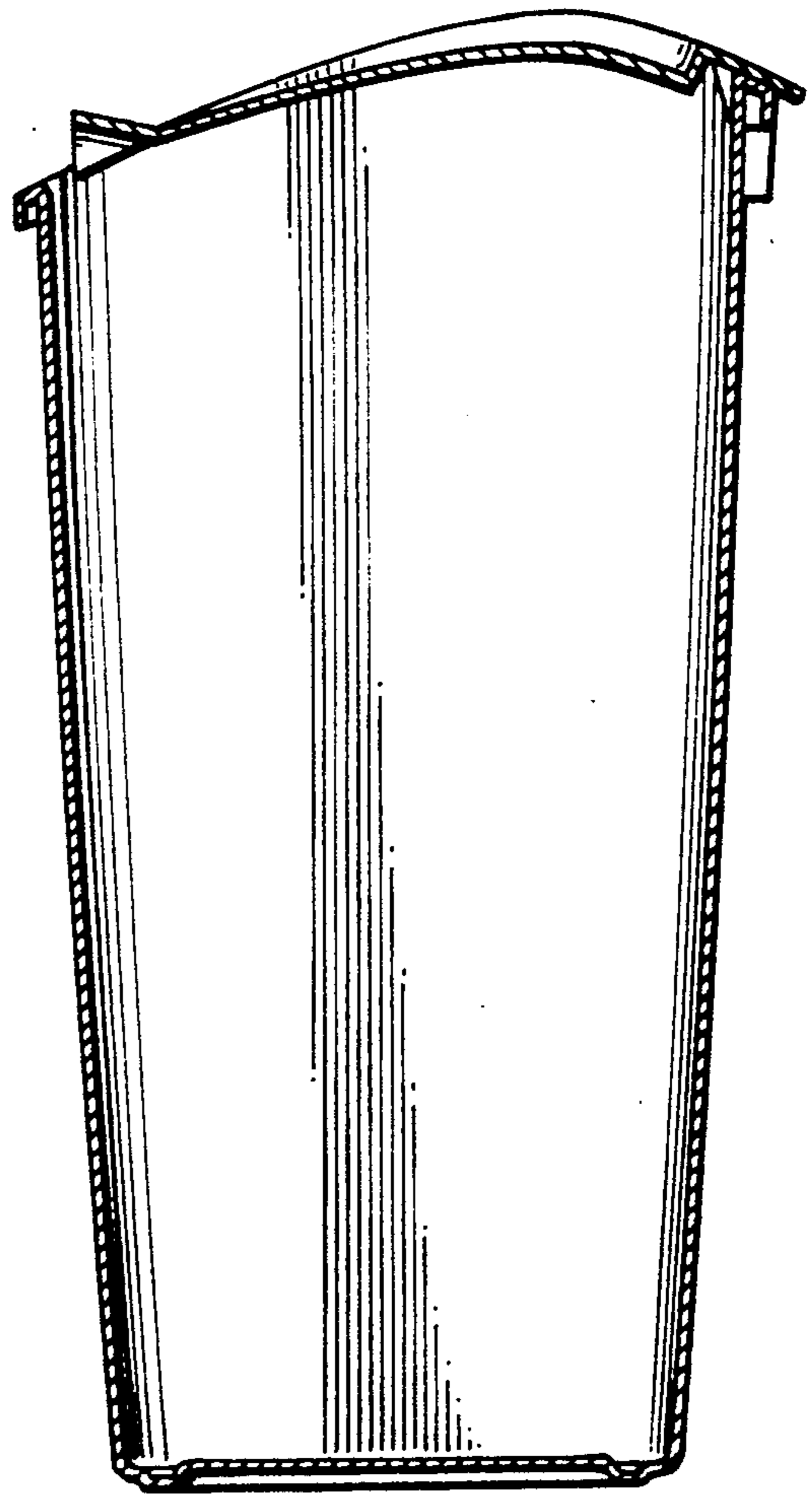


FIG. 8