



US00D326751S

United States Patent [19]

[11] Patent Number: **Des. 326,751**

Rohner

[45] Date of Patent: **** Jun. 2, 1992**

[54] STEAM IRON

D. 299,572	1/1989	Rohner	D32/70
D. 302,060	7/1989	Barrault	D32/70
D. 314,073	1/1991	Stutzer et al.	D32/70
4,702,933	10/1987	Kramer	219/245 X

[75] Inventor: **Eduard Rohner, Hammelburg, Fed. Rep. of Germany**

[73] Assignee: **Rowenta-Werke GmbH, Offenbach am Main, Fed. Rep. of Germany**

Primary Examiner—Wallace R. Burke
Assistant Examiner—Lavone D. Tabor
Attorney, Agent, or Firm—Akoo - Toren

[**] Term: **14 Years**

[57] CLAIM

[21] Appl. No.: **627,035**

The ornamental design for a steam iron, as shown and described.

[22] Filed: **Dec. 13, 1990**

DESCRIPTION

[30] Foreign Application Priority Data

Jun. 21, 1990 [DE] Fed. Rep. of Germany M 90 04 113.5

[52] U.S. Cl. **D32/70**

[58] Field of Search **D32/68-72:**
219/245-259; 38/69, 74-75, 77.1-77.8,
77.81-77.83, 77.9, 79-82, 85, 88, 90, 93-94

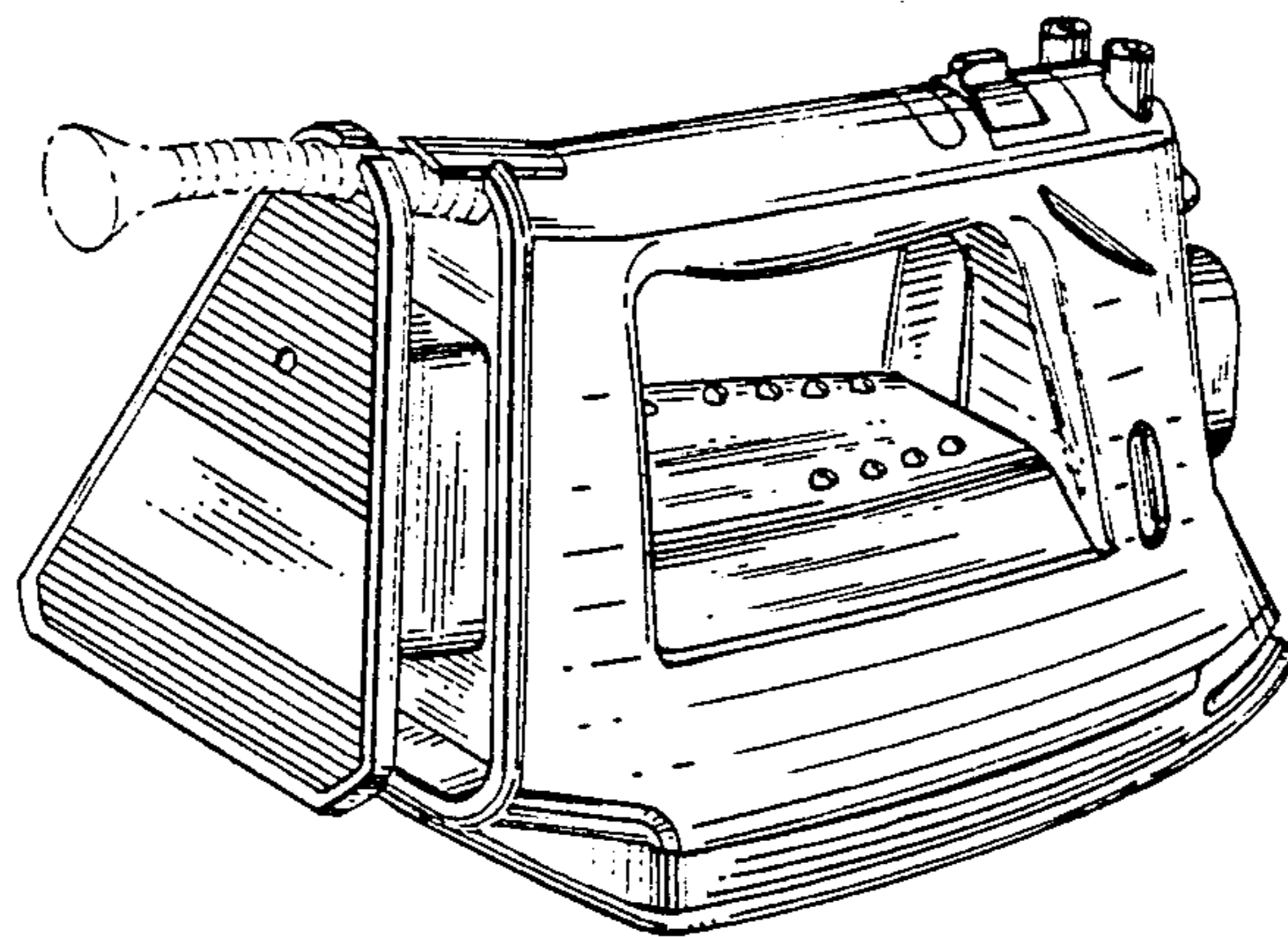
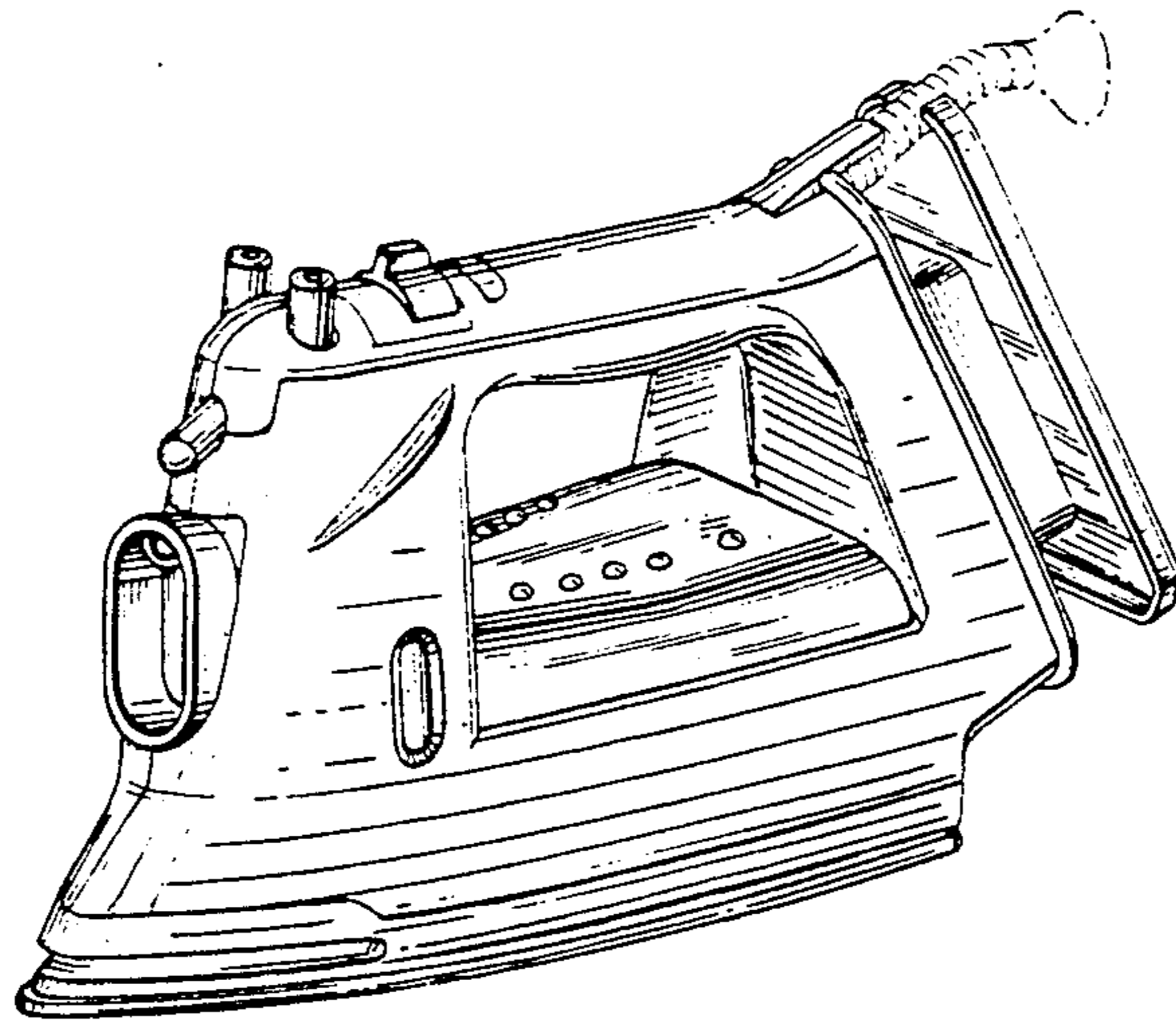
FIG. 1 is a front perspective view of a steam iron showing my new design;
FIG. 2 is a rear perspective view thereof;
FIG. 3 is a side elevational view thereof;
FIG. 4 is an elevational view of the opposite side thereof;
FIG. 5 is a front elevational view thereof;
FIG. 6 is a rear elevational view thereof;
FIG. 7 is a top plan view thereof; and,
FIG. 8 is a bottom plan view thereof.

[56] References Cited

U.S. PATENT DOCUMENTS

D. 173,046	9/1954	Tucker	D32/70
D. 290,891	7/1987	Stutzer et al.	D32/70
D. 291,615	8/1987	Ogawa et al.	D32/70

The broken line showing of a cord connector is for illustrative purposes only and forms no part of the claimed design.



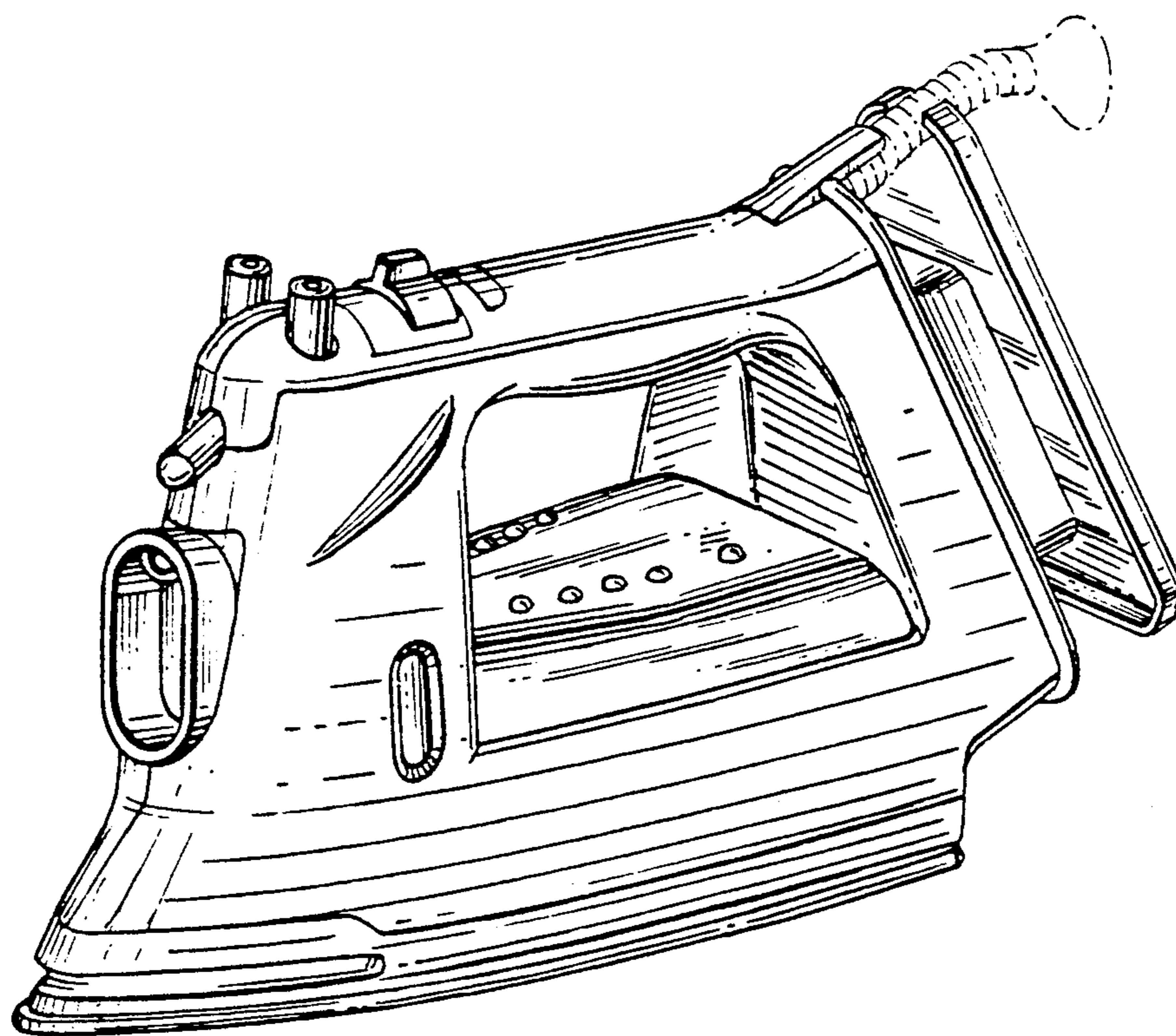


FIG. 1

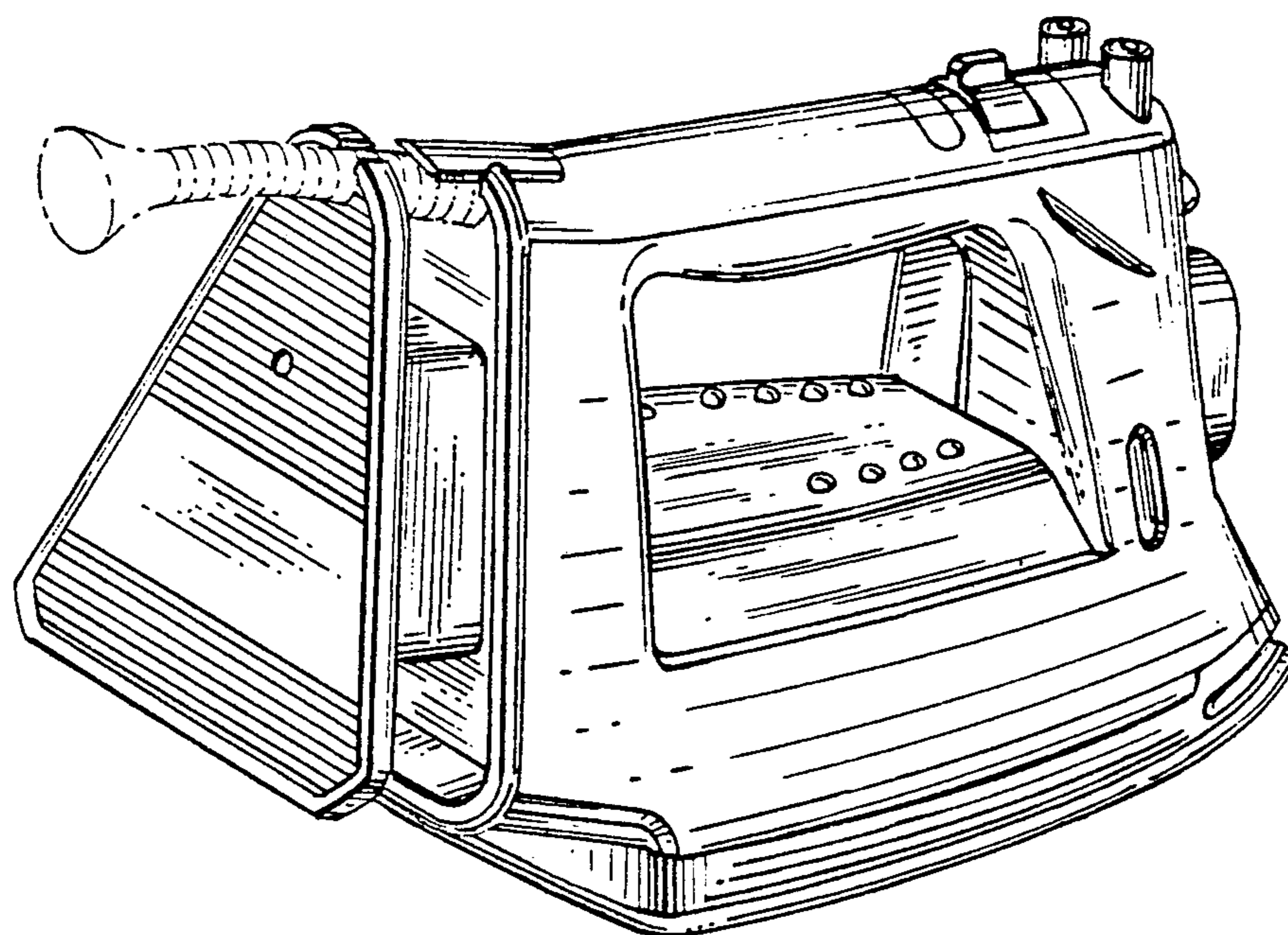


FIG. 2

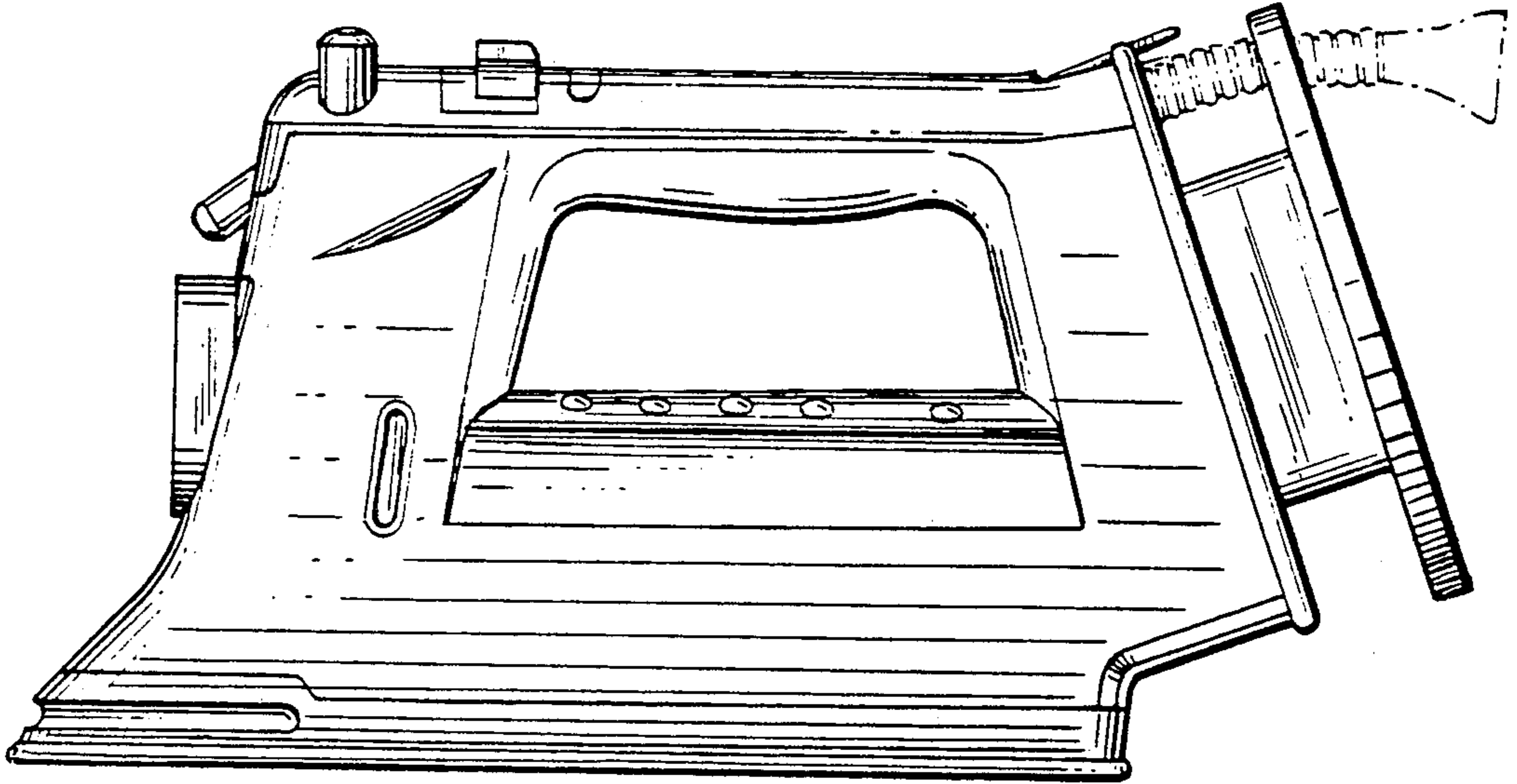


FIG. 3

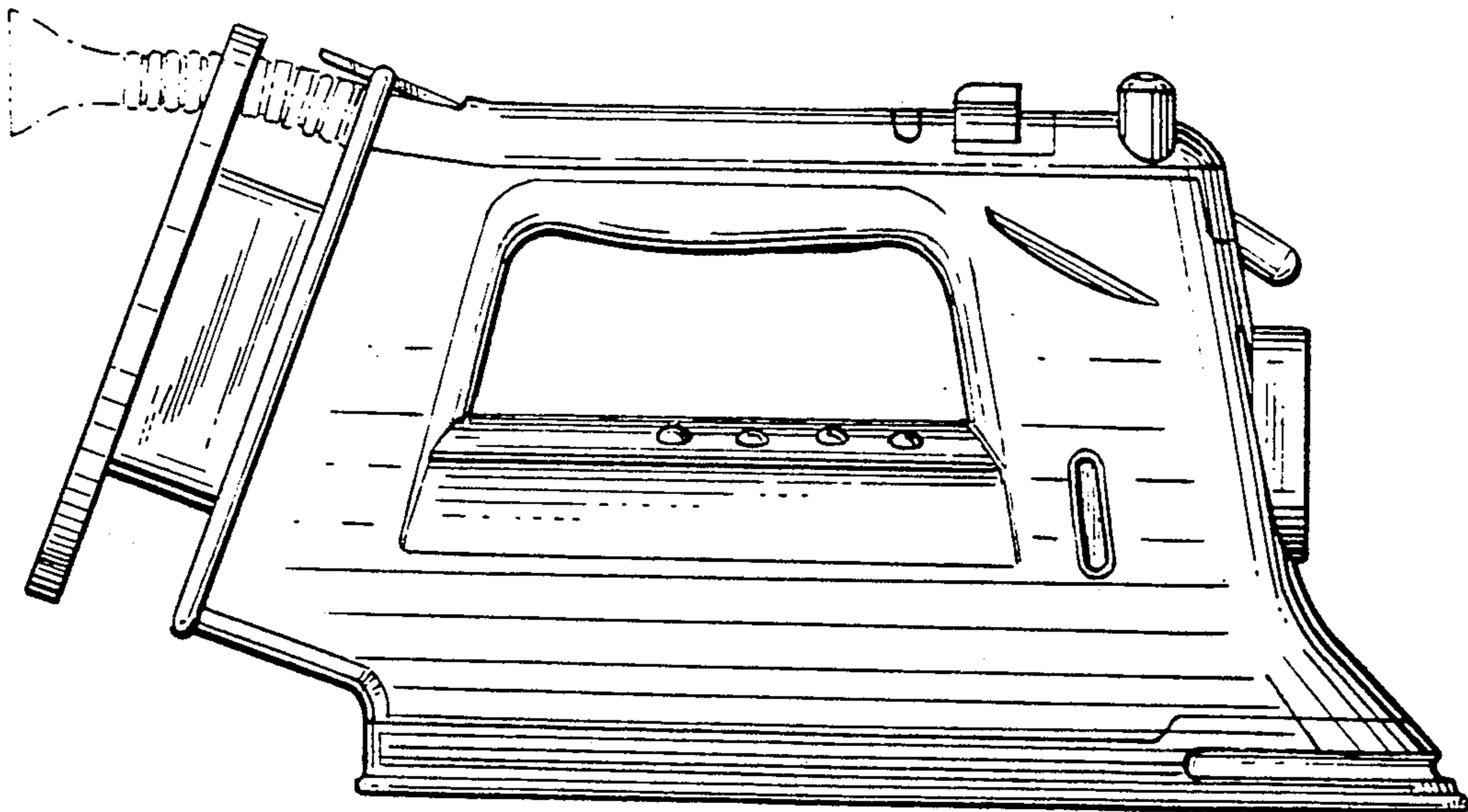


FIG. 4

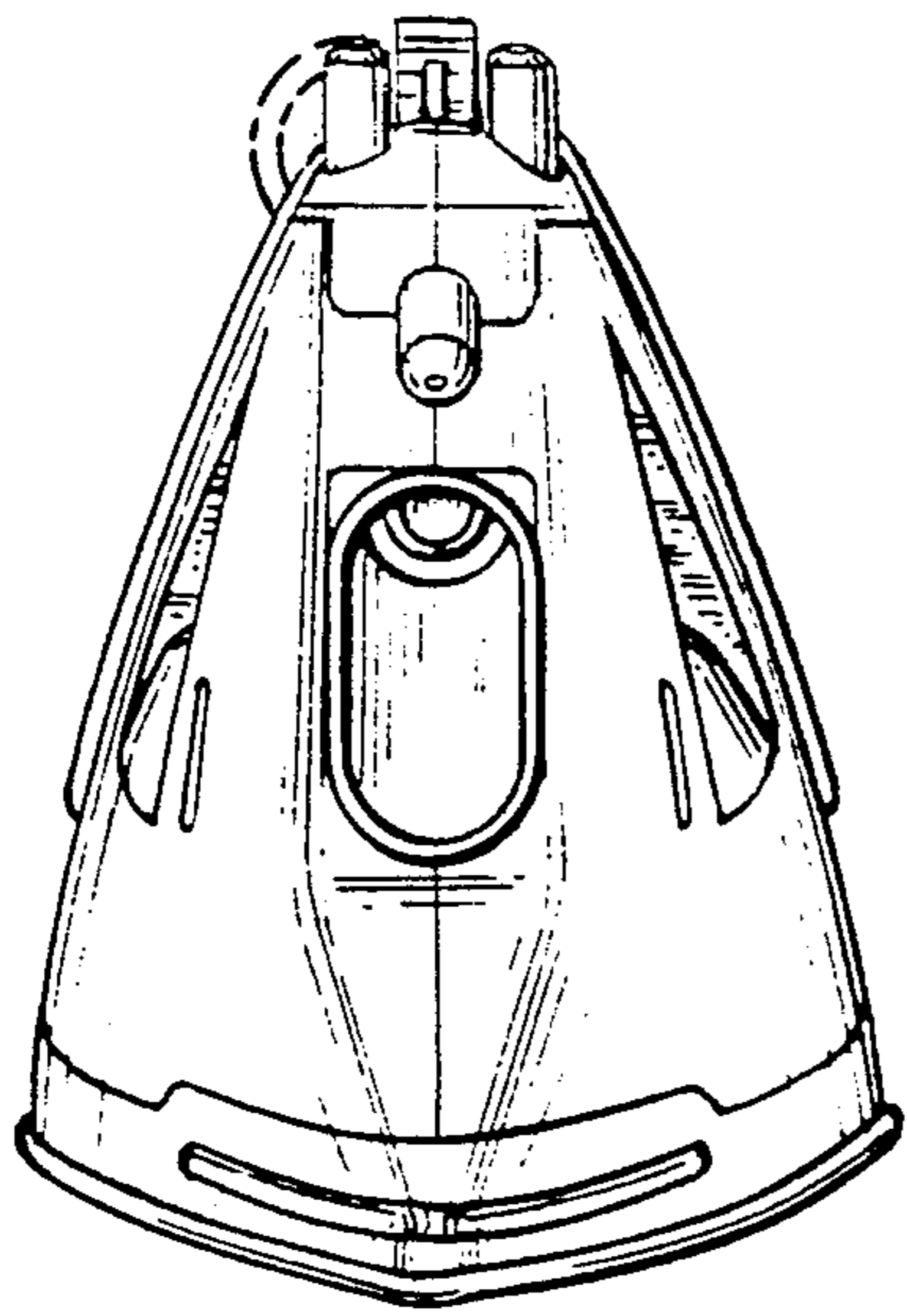


FIG. 5

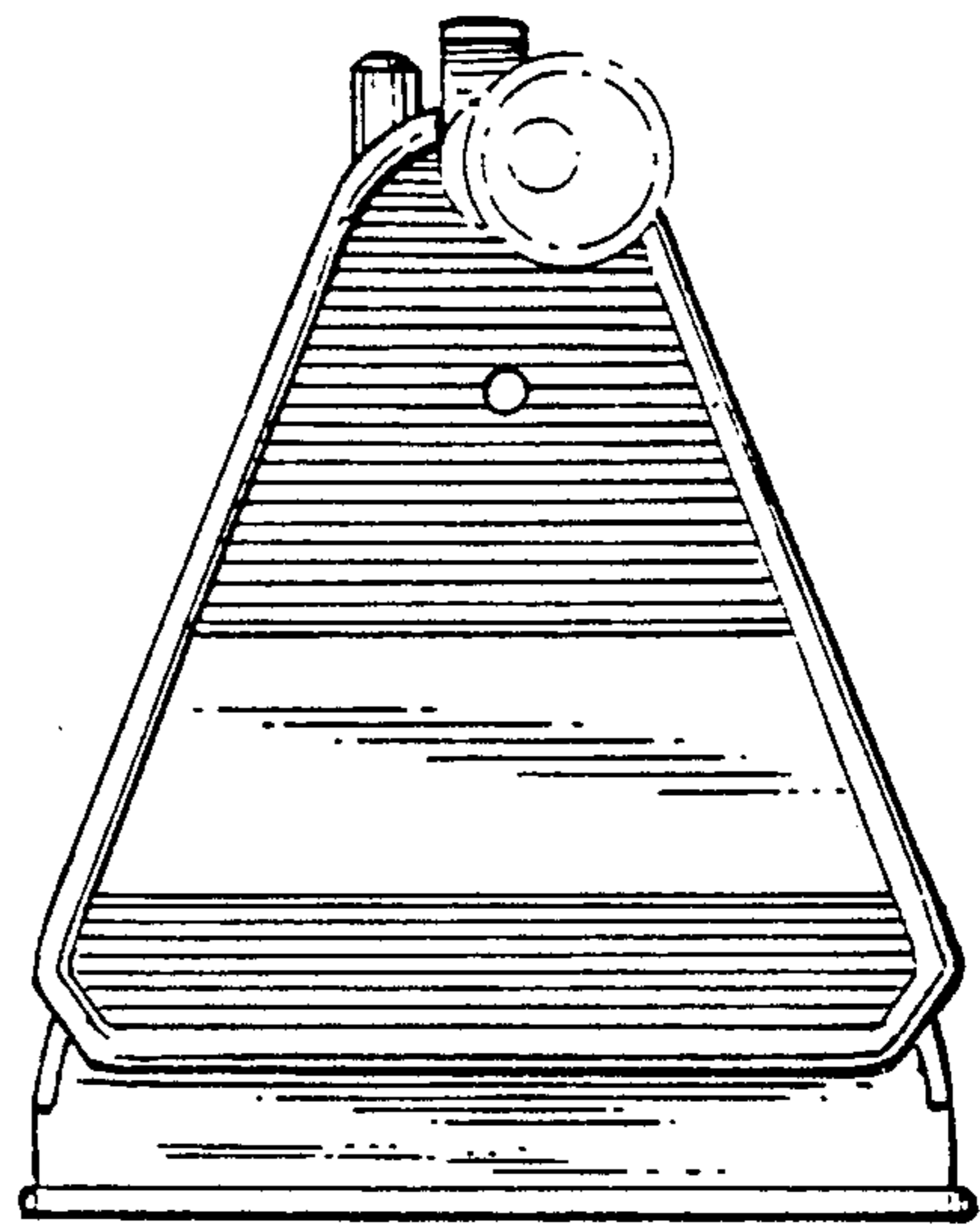


FIG. 6

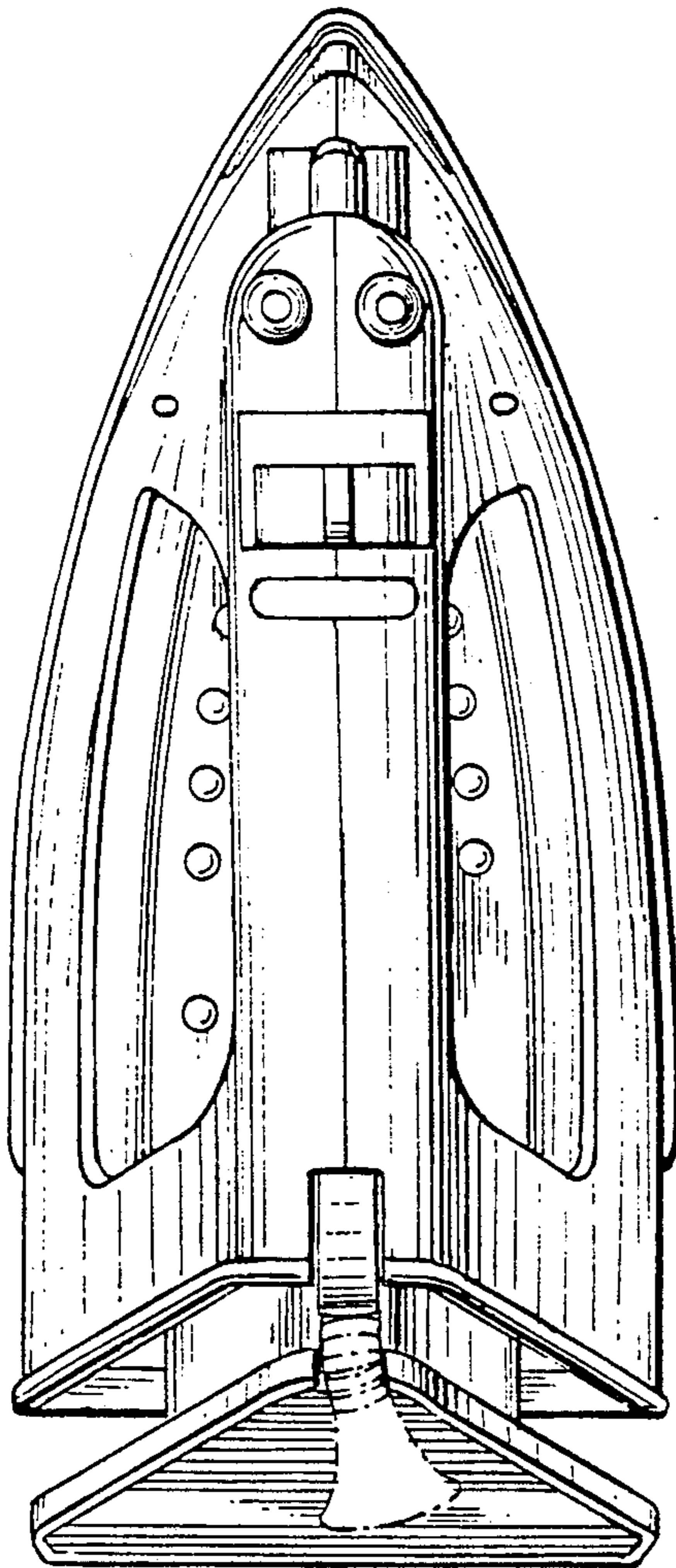


FIG. 7

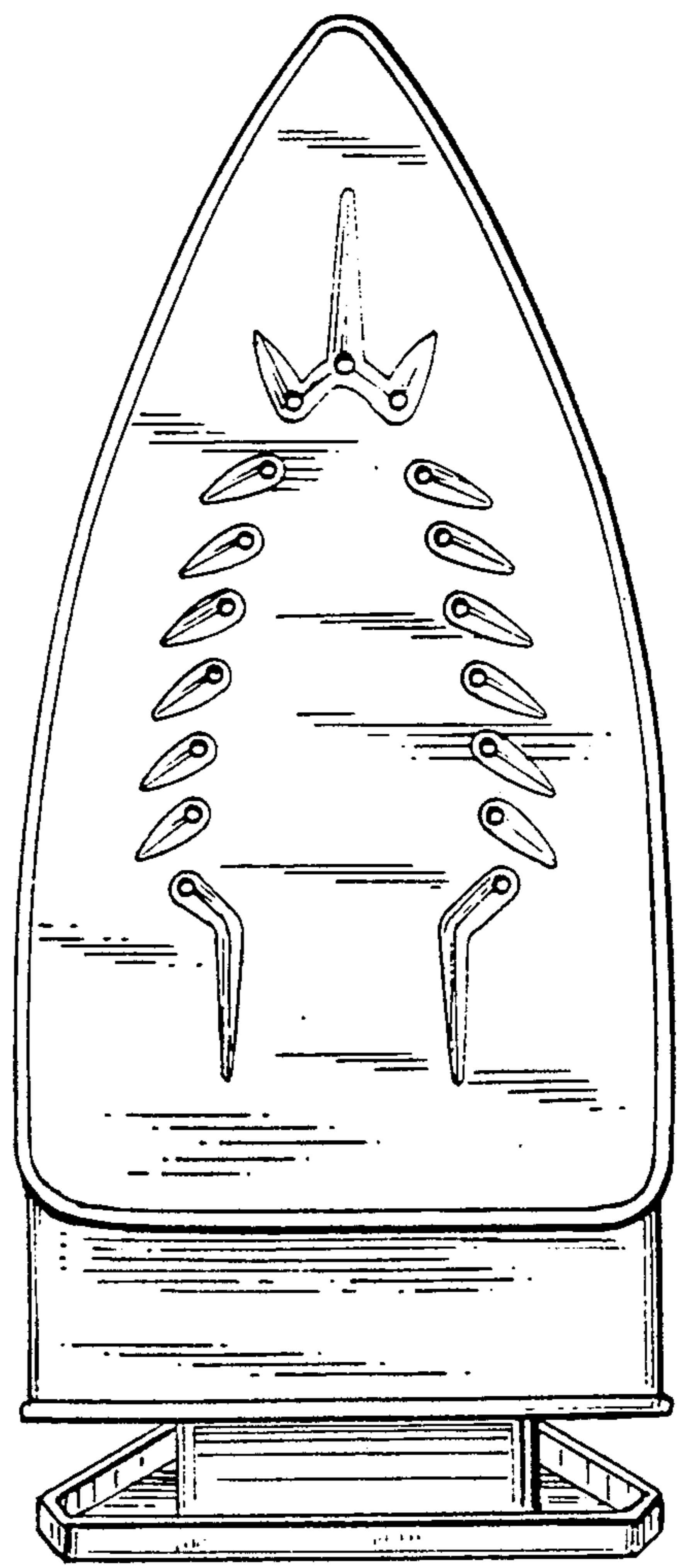


FIG. 8