



US00D326748S

United States Patent [19]

[11] Patent Number: **Des. 326,748**

Kirk

[45] Date of Patent: **** Jun. 2, 1992**

[54] **WHEELED CART**

3,762,739 10/1973 Tabet 280/79.11
4,165,088 8/1979 Nelson 280/79.3

[76] Inventor: **Stephen G. Kirk**, 870 Colridge Rd.,
Wantagh, N.Y. 11795

Primary Examiner—Kay H. Chin
Attorney, Agent, or Firm—Terry M. Gernstein

[**] Term: **14 Years**

[57] **CLAIM**

[21] Appl. No.: **510,992**

The ornamental design for a wheeled cart, as shown and described.

[22] Filed: **Apr. 19, 1990**

[52] U.S. Cl. **D34/17; D34/12**

[58] Field of Search **D34/12, 14, 17, 21, D34/23, 24, 25, 26; 280/79.3, 79.11, 79.2, 47.35, 47.34, 47.24; 211/134, 49; 296/3**

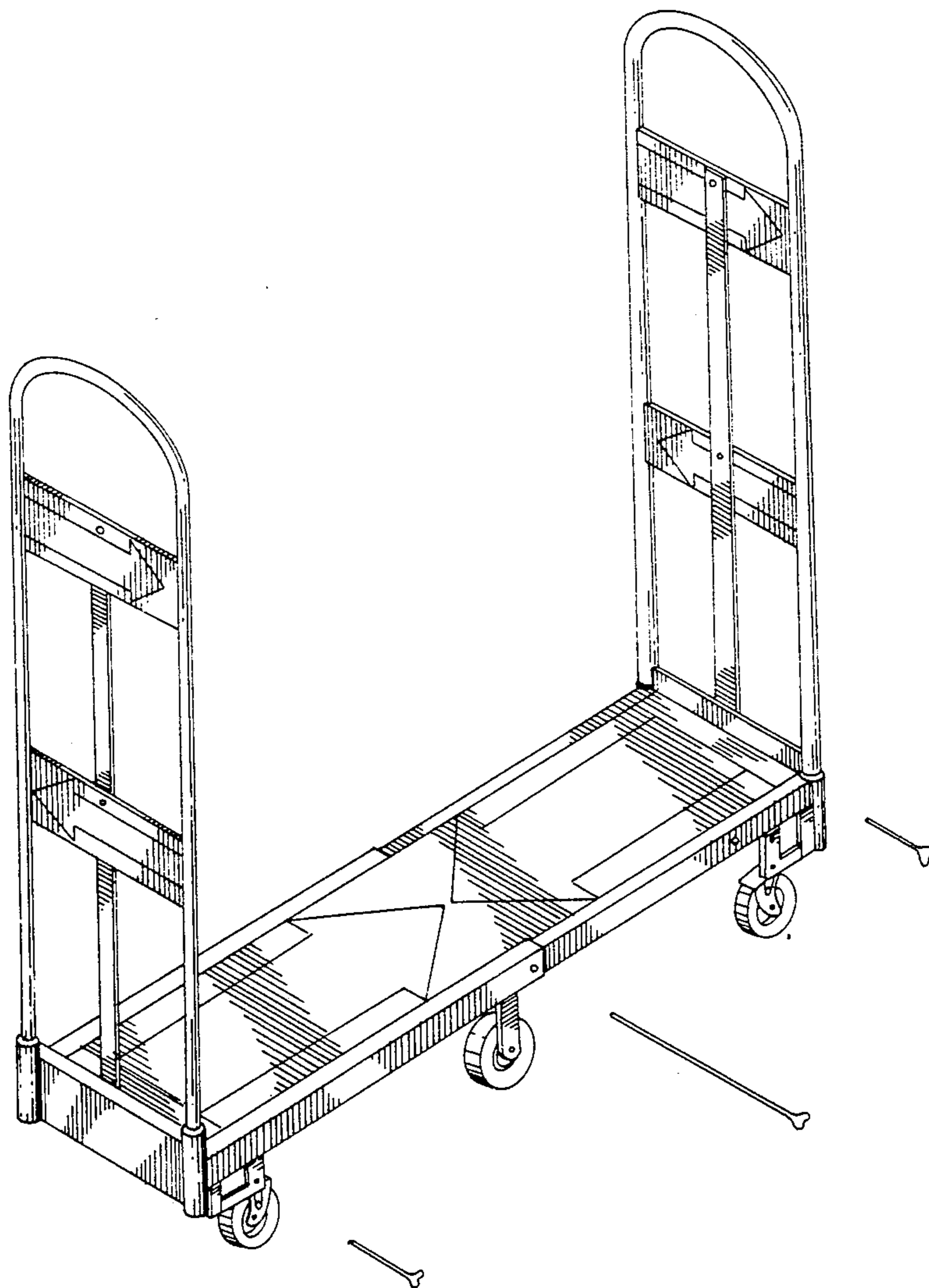
DESCRIPTION

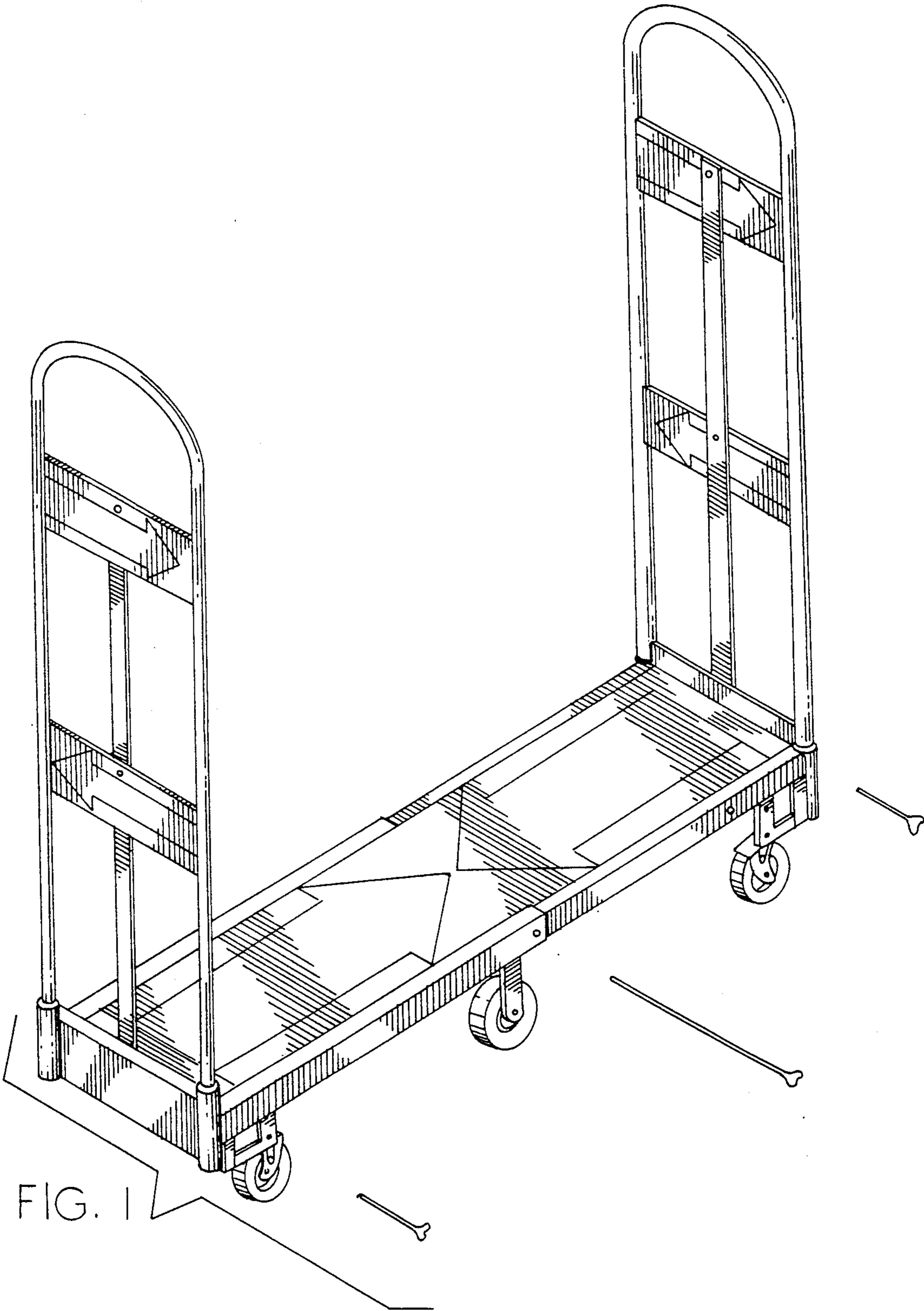
[56] **References Cited**

U.S. PATENT DOCUMENTS

D. 195,944	8/1963	Schreckengast	D34/17
D. 249,031	8/1978	Tarran	D34/14
3,118,684	1/1964	Kappen	280/33.997
3,689,098	9/1972	Rubin	280/79.11

FIG. 1 is a top perspective view of a wheeled cart showing my new design, the bolts of the wheeled cart being removed and are shown in exploded condition for clarity of illustration;
FIG. 2 is a side elevational view thereof, the opposite side view being a mirror image of that shown;
FIG. 3 is a front elevational view thereof, the rear view being a mirror image of that shown;
FIG. 4 is a top plan view thereof; and,
FIG. 5 is a bottom plan view thereof.





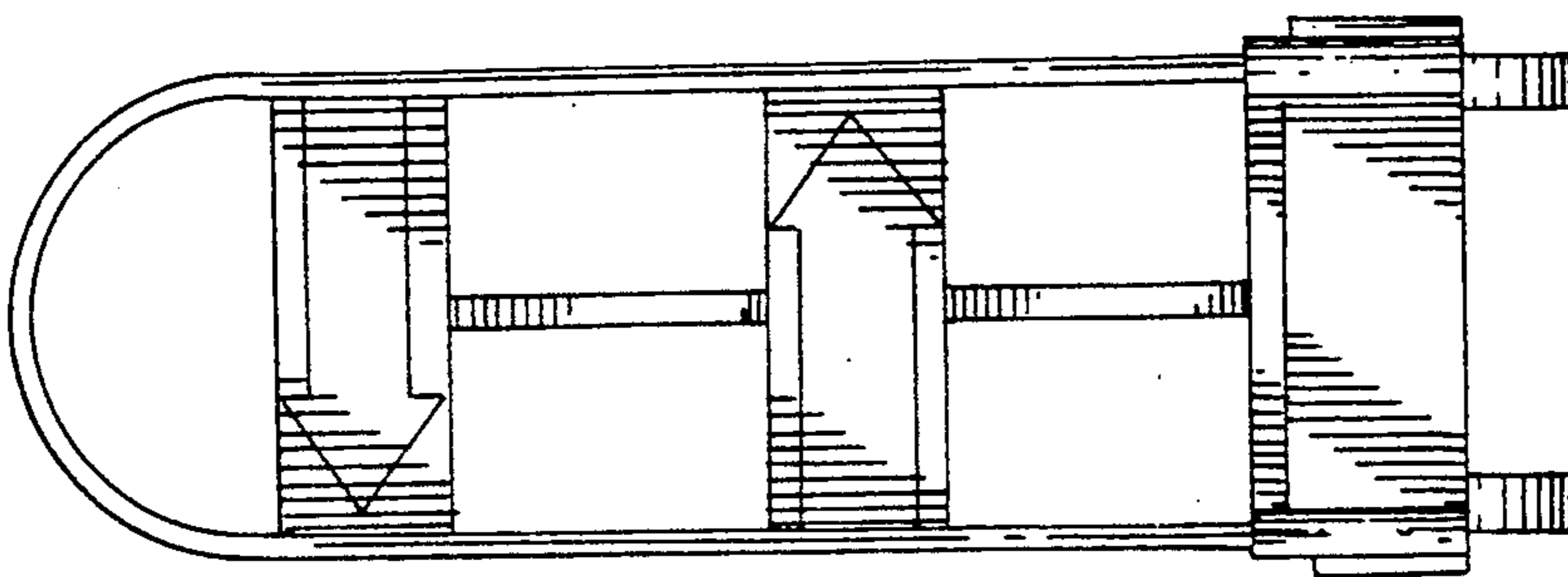


FIG. 3

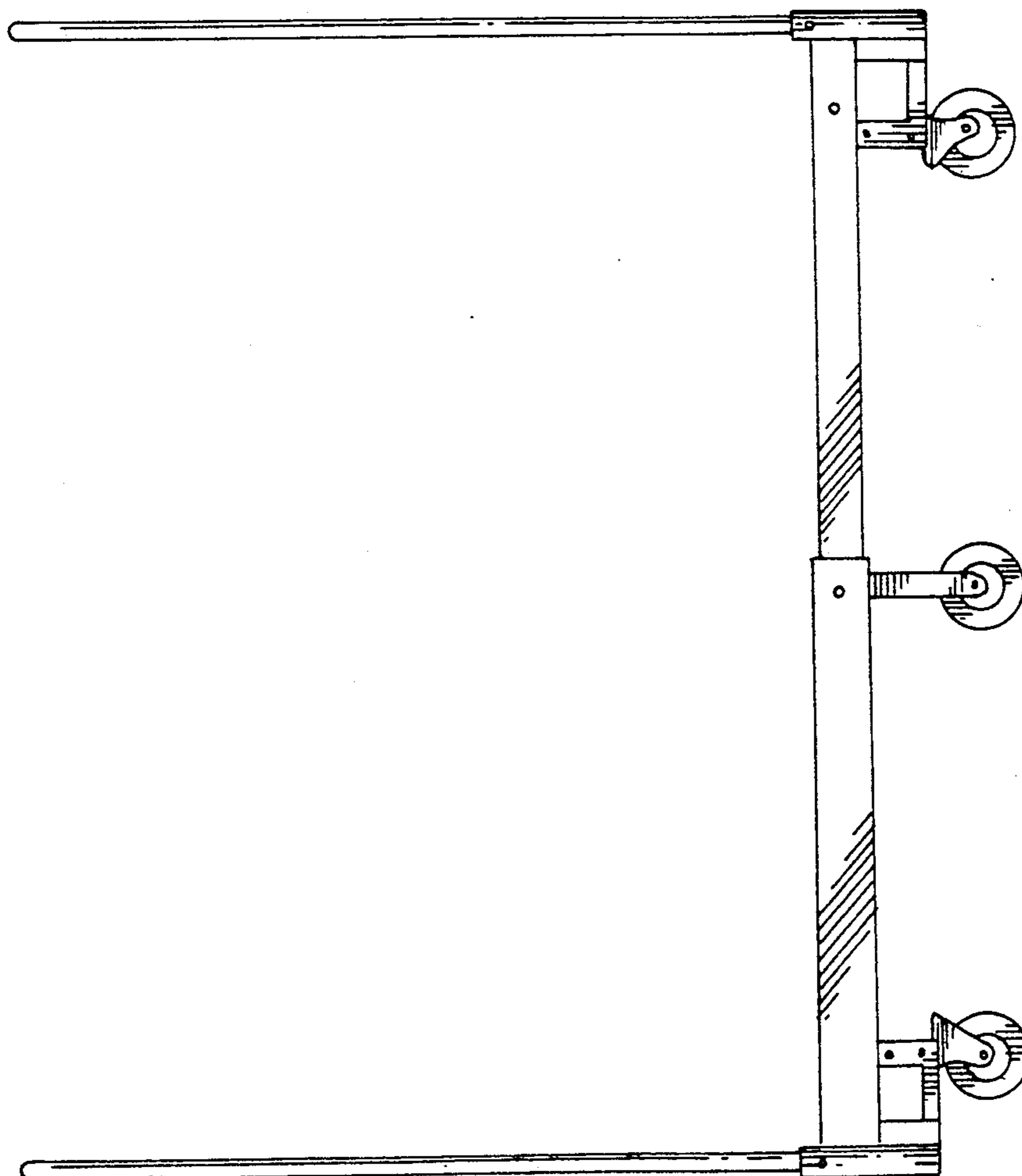


FIG. 2

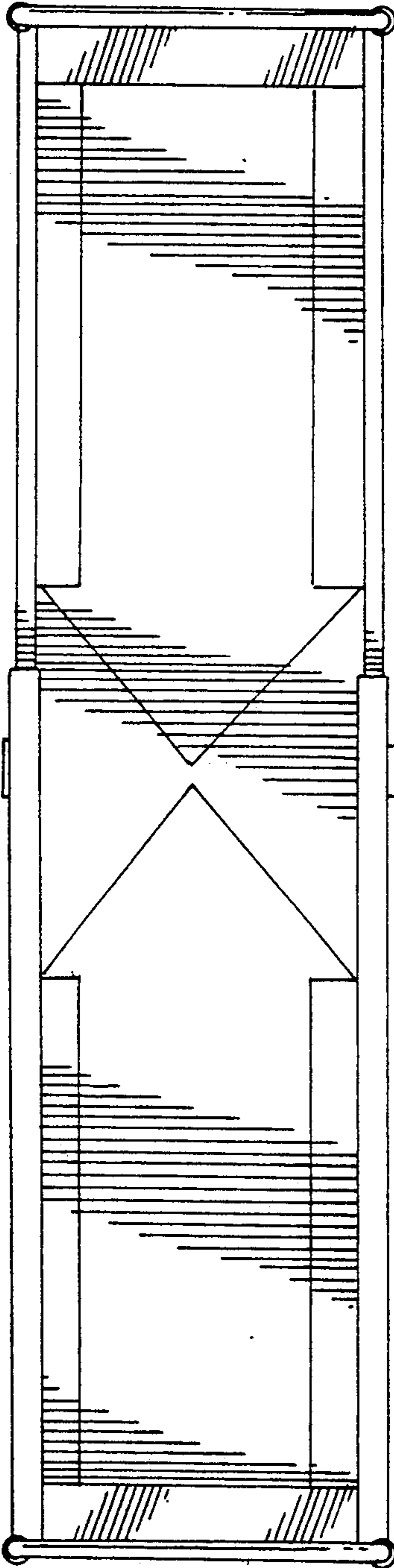


FIG. 4

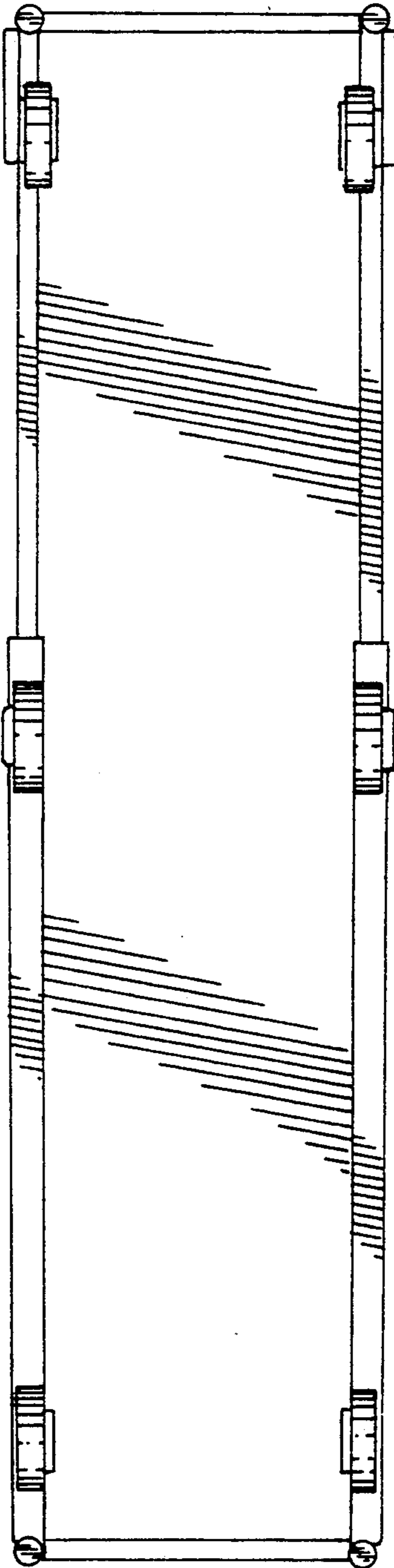


FIG. 5