



US00D326747S

# United States Patent [19]

[11] Patent Number: **Des. 326,747**

Stickle

[45] Date of Patent: **\*\* Jun. 2, 1992**

[54] **BACK SUPPORTED PORTABLE VACUUM CLEANER**

4,290,165	9/1981	Hiramatsu .....	15/330
4,541,142	9/1985	Pudwill .....	15/344
4,570,286	2/1986	Ross .....	15/327 C
4,748,712	6/1988	DiGiovanni .....	15/327.5

[76] Inventor: **Marguerite R. Stickle, 28 Carriage Dr., Clinton, Conn. 06413**

*Primary Examiner—A. Hugo Word  
Assistant Examiner—Ruth McInroy  
Attorney, Agent, or Firm—Terry M. Gernstein*

[\*\*] Term: **14 Years**

[21] Appl. No.: **608,899**

[57] **CLAIM**

[22] Filed: **Nov. 5, 1990**

[52] U.S. Cl. .... **D32/21**

The ornamental design for a back supported portable vacuum cleaner, as shown and described.

[58] Field of Search ..... D32/1, 15, 17-18,  
D32/21, 23-24, 32-33; 15/327.1, 327.2, 327.5,  
327.6

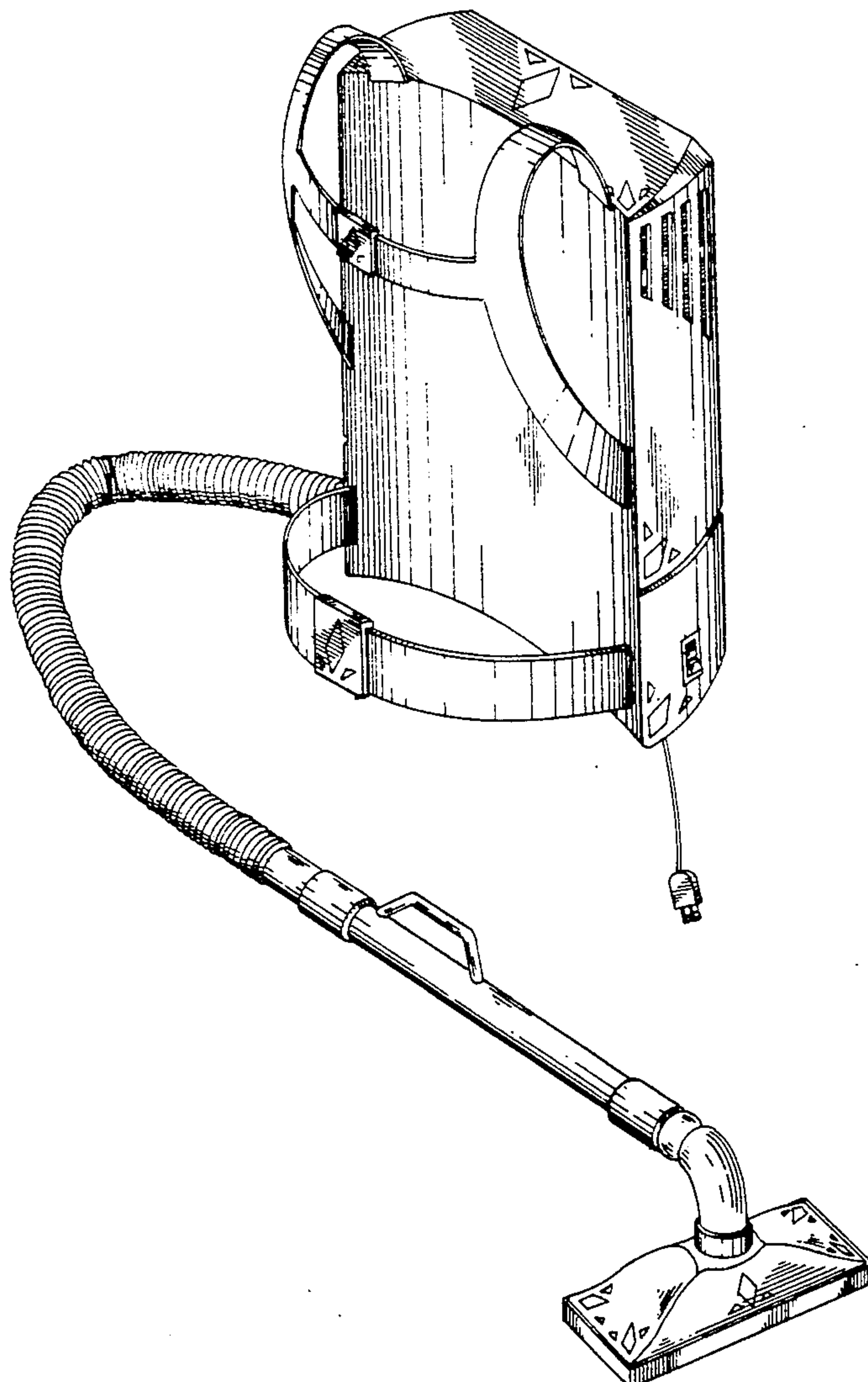
**DESCRIPTION**

[56] **References Cited**

**U.S. PATENT DOCUMENTS**

D. 312,517	11/1990	Hohrien, II et al. ....	D32/23
D. 315,234	3/1991	Frisell .....	D32/21
1,047,164	12/1912	Butenschoen .....	15/327.5
2,392,205	1/1946	Wales .....	15/327.5
3,331,090	7/1967	Reiber et al. ....	15/327.5

FIG. 1 is a front perspective view of a back supported portable vacuum cleaner showing my new design; FIG. 2 is a front elevational view thereof; FIG. 3 is a rear elevational view thereof; FIG. 4 is a left side elevational view thereof; FIG. 5 is a right side elevational view thereof; FIG. 6 is a top plan view thereof; and, FIG. 7 is a bottom plan view thereof.



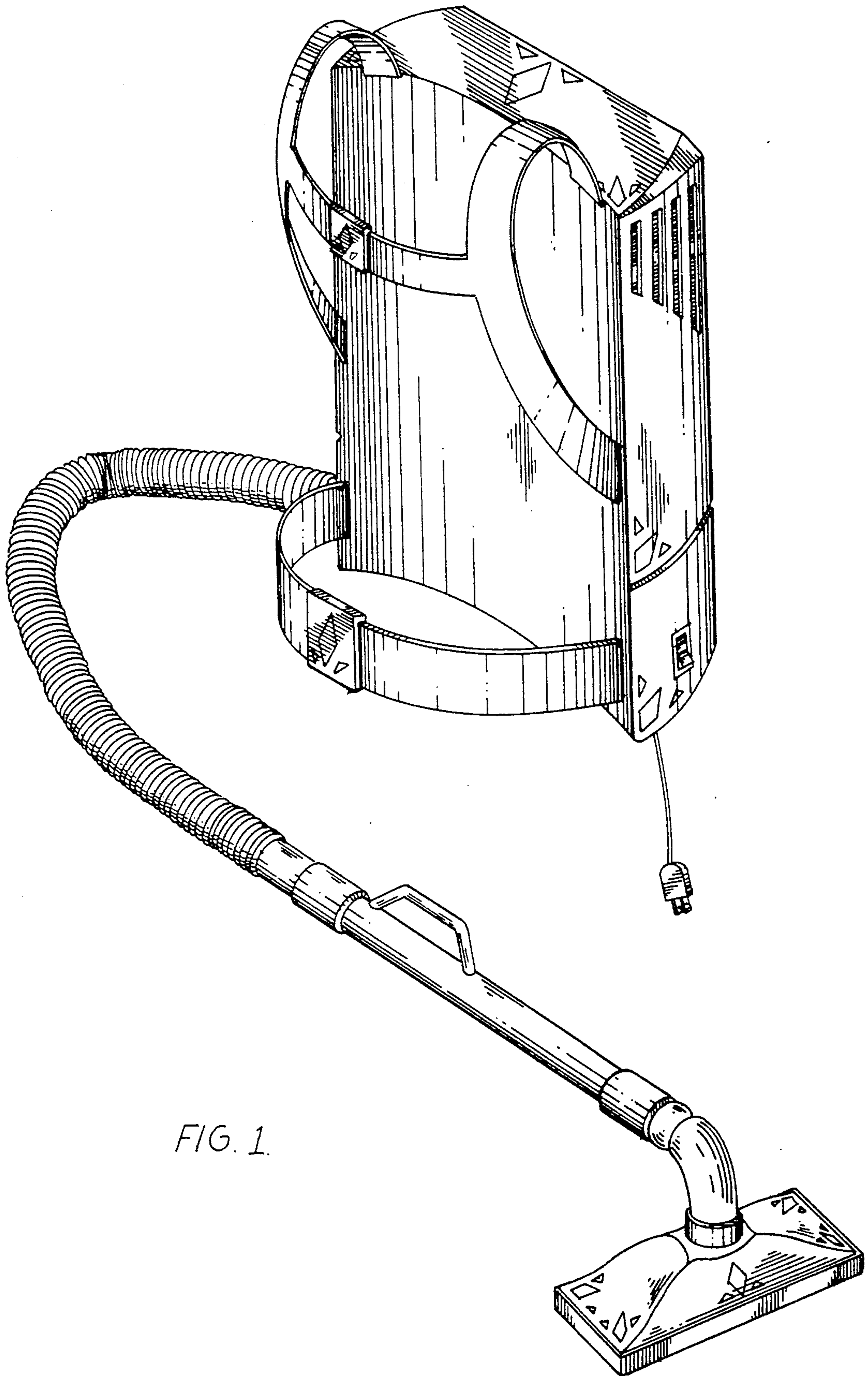


FIG. 1.

FIG. 2.

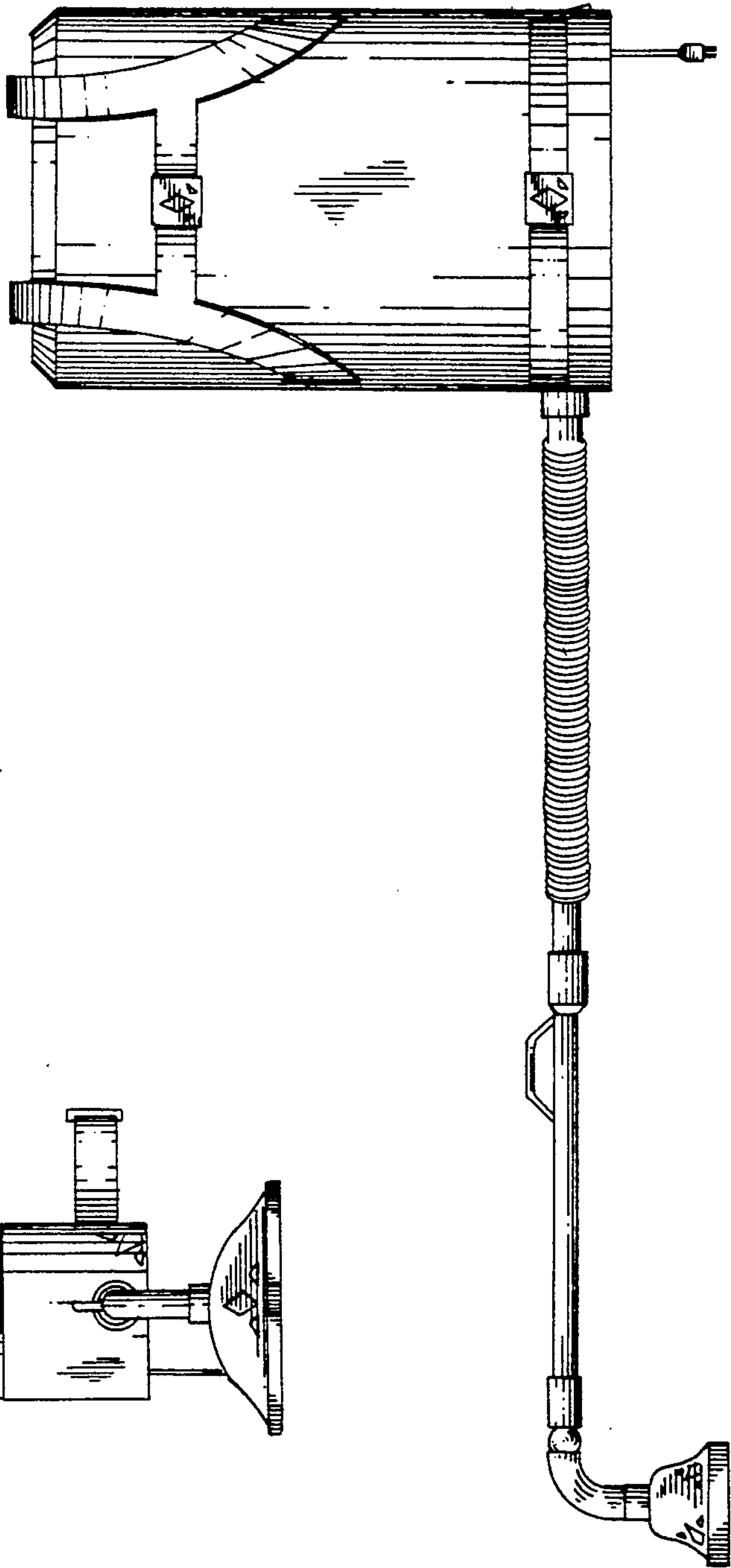
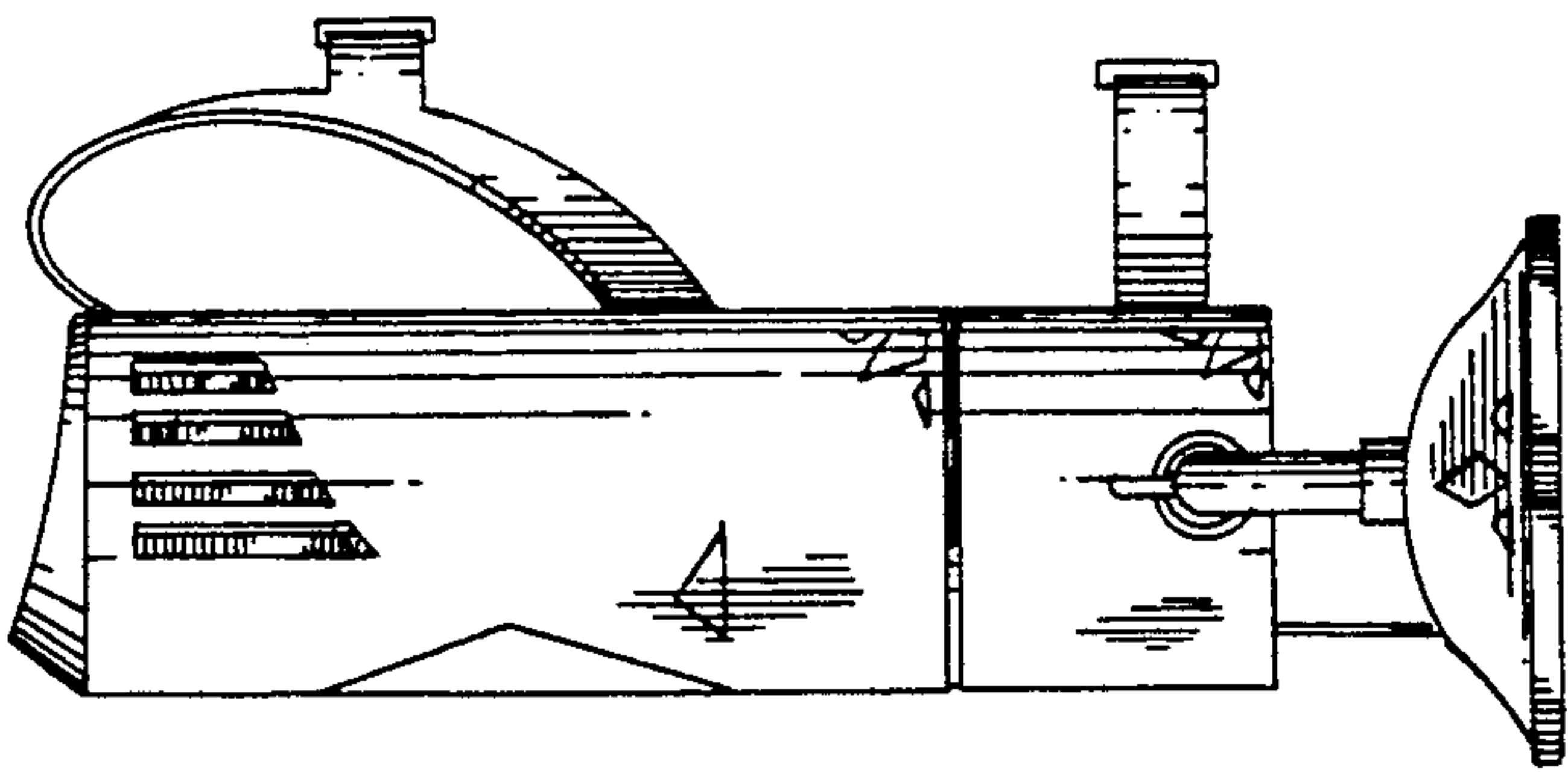
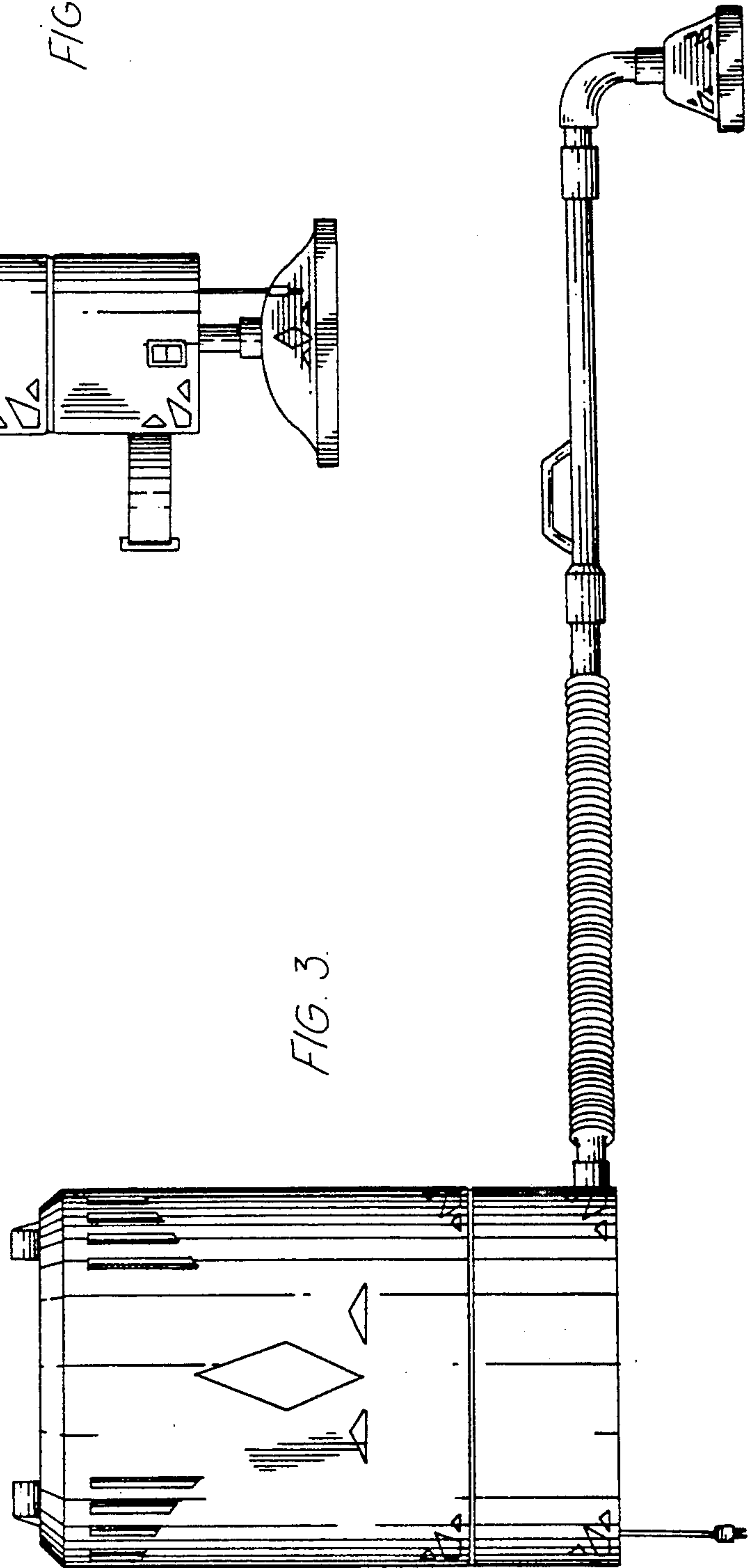
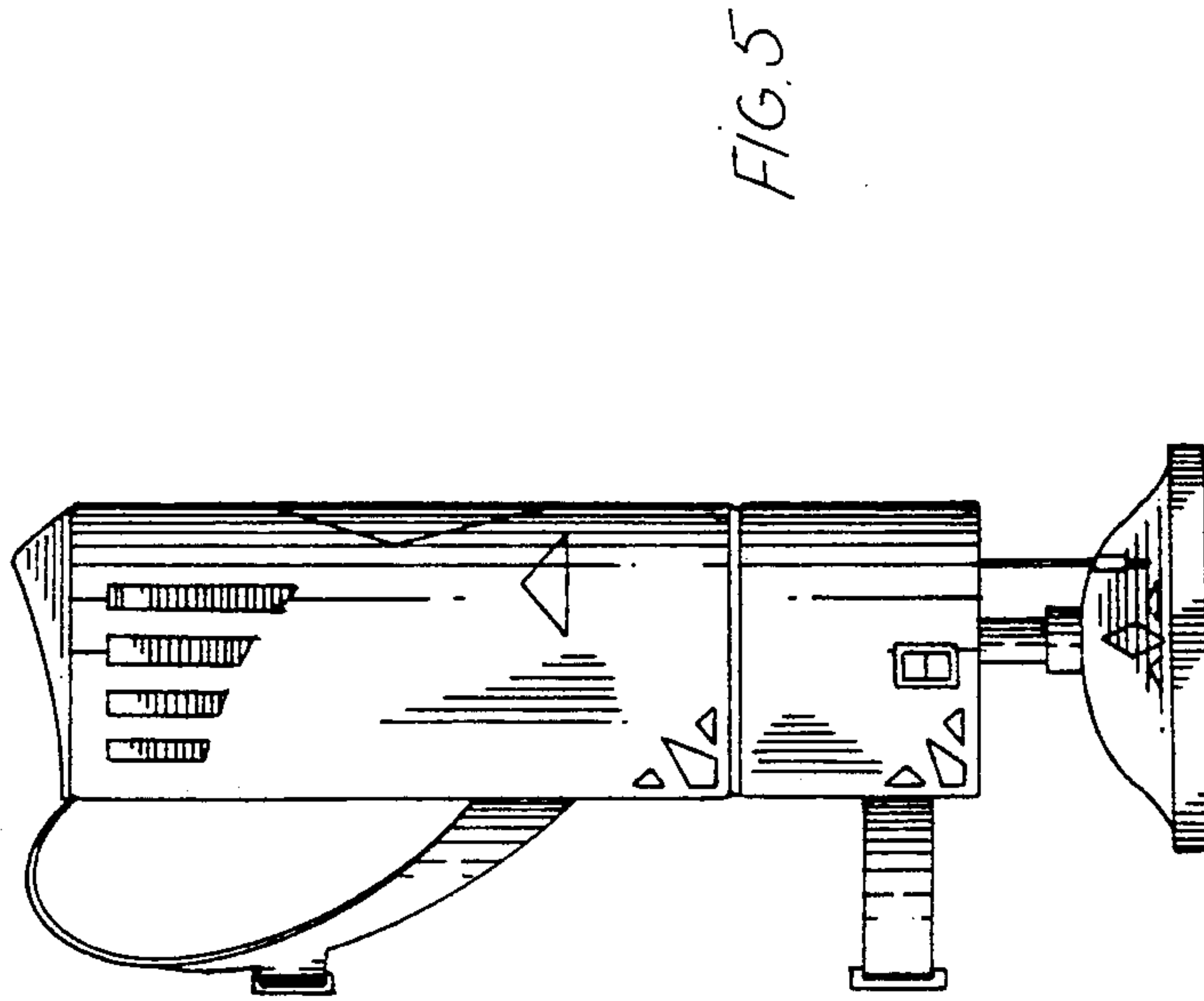


FIG. 4







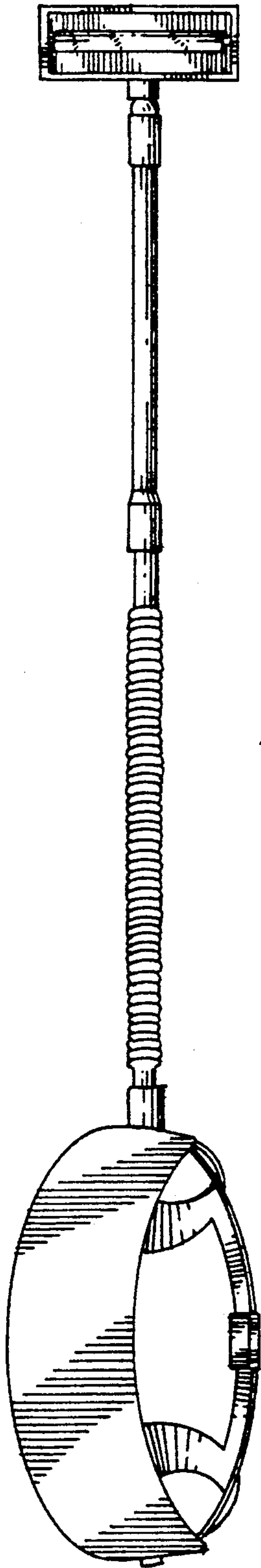


FIG. 7

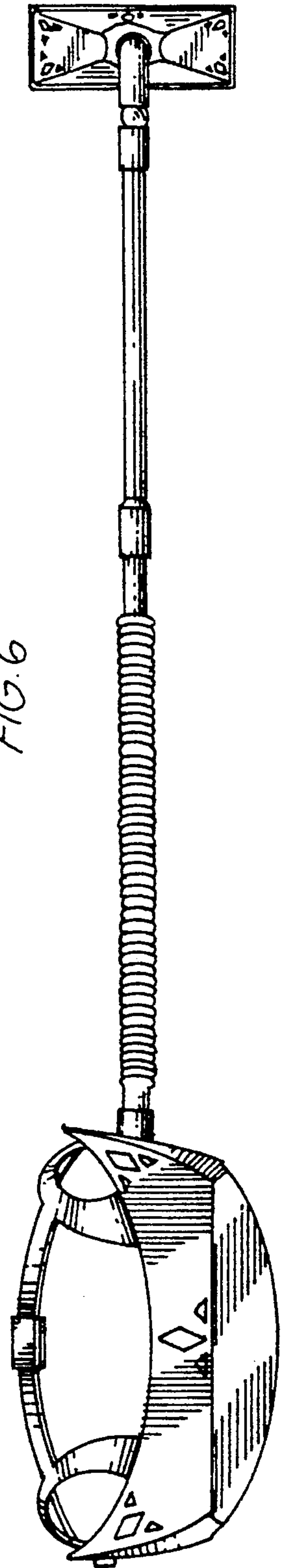


FIG. 6