



US00D326743S

United States Patent [19]

[11] Patent Number: **Des. 326,743**

Haynes

[45] Date of Patent: **** Jun. 2, 1992**

[54] ANIMAL FEEDER

[76] Inventor: **Graham J. Haynes**, P.O. Box 413,
Plympton, South Australia, 5038,
Australia

[**] Term: **14 Years**

[21] Appl. No.: **618,817**

[22] Filed: **Nov. 27, 1990**

[52] U.S. Cl. **D30/130; D7/557;**
D7/552

[58] Field of Search **119/57.4, 61, 52.4;**
D30/121-122, 129-133; 220/516, 23.6, 630,
23.83, 23.4, 575; 206/503, 551; D7/602, 629,
523, 529, 533-555, 501, 505, 557, 590, 630;
D9/341

[56] **References Cited**

U.S. PATENT DOCUMENTS

D. 201,670 7/1965 Moore D30/130
D. 225,364 12/1972 Antoni D7/552
D. 285,638 9/1986 Trivison D7/557

D. 288,698 3/1987 Finnamore D7/557
3,176,655 4/1965 Reimers 119/61
3,205,860 9/1965 Moore 119/61
3,398,827 8/1968 Laskin 206/551

FOREIGN PATENT DOCUMENTS

16819 of 1888 United Kingdom 119/61
1005695 9/1965 United Kingdom 119/61

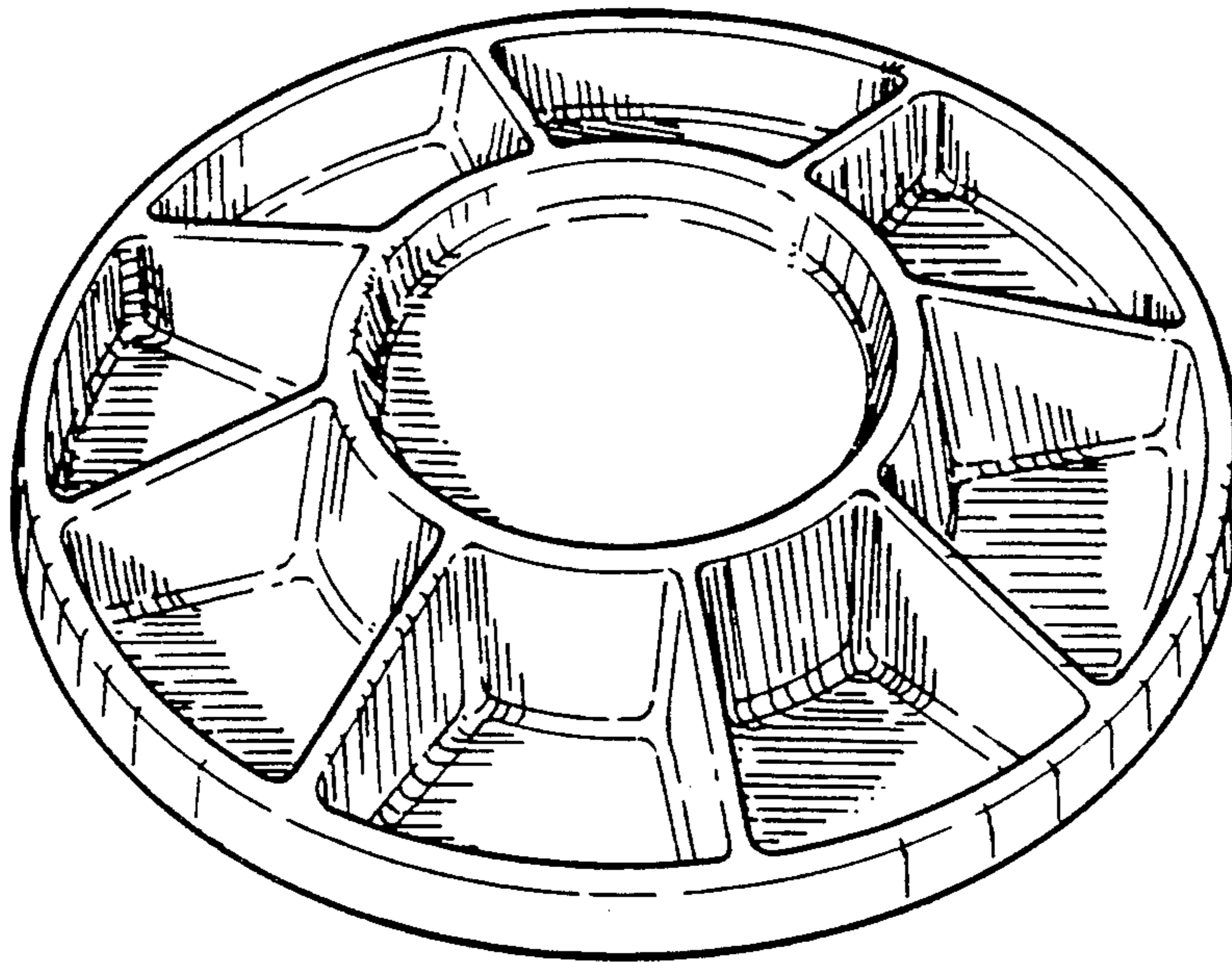
Primary Examiner—A. Hugo Word
Assistant Examiner—CathyAnne MacCormac
Attorney, Agent, or Firm—Edward W. Callan

[57] **CLAIM**

The ornamental design for an animal feeder, as shown and described.

DESCRIPTION

FIG. 1 is a top plan view of an animal feeder showing my new design;
FIG. 2 is a side elevational view thereof, all sides being identical to the side shown;
FIG. 3 is a bottom plan view thereof;
FIG. 4 is a top perspective view thereof; and,
FIG. 5 is a bottom perspective view thereof.



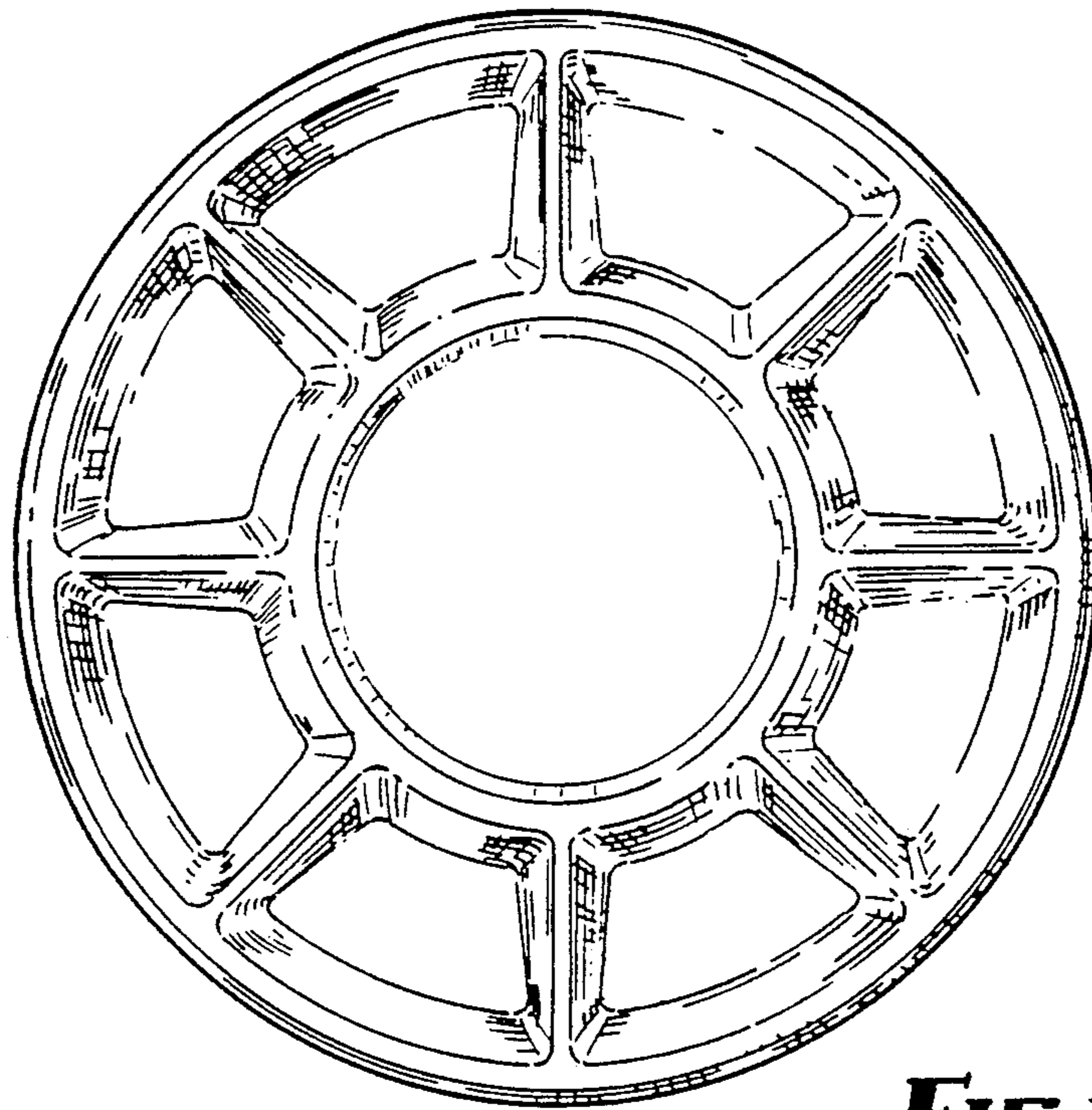


FIG 1



FIG 2

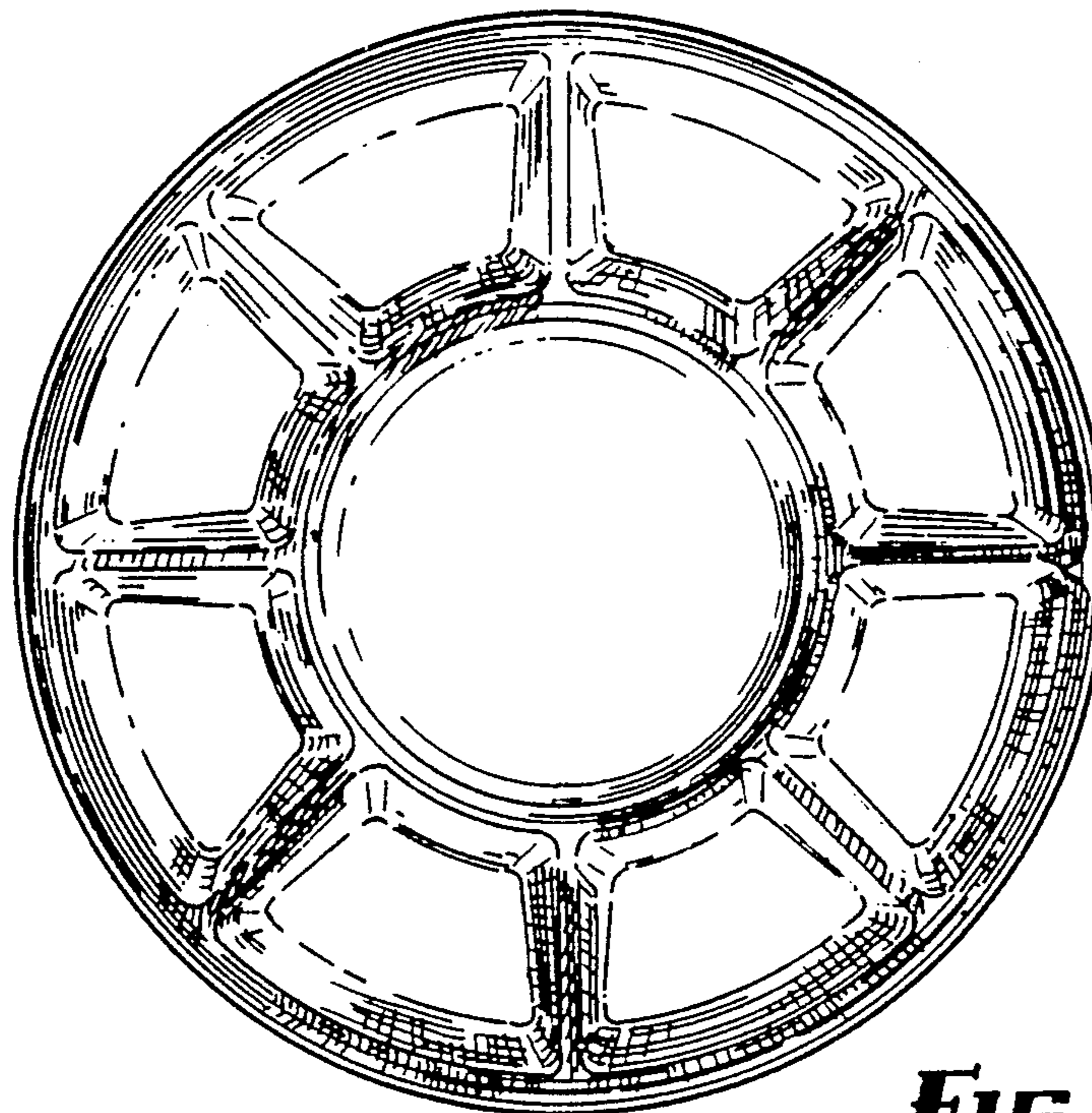


FIG 3

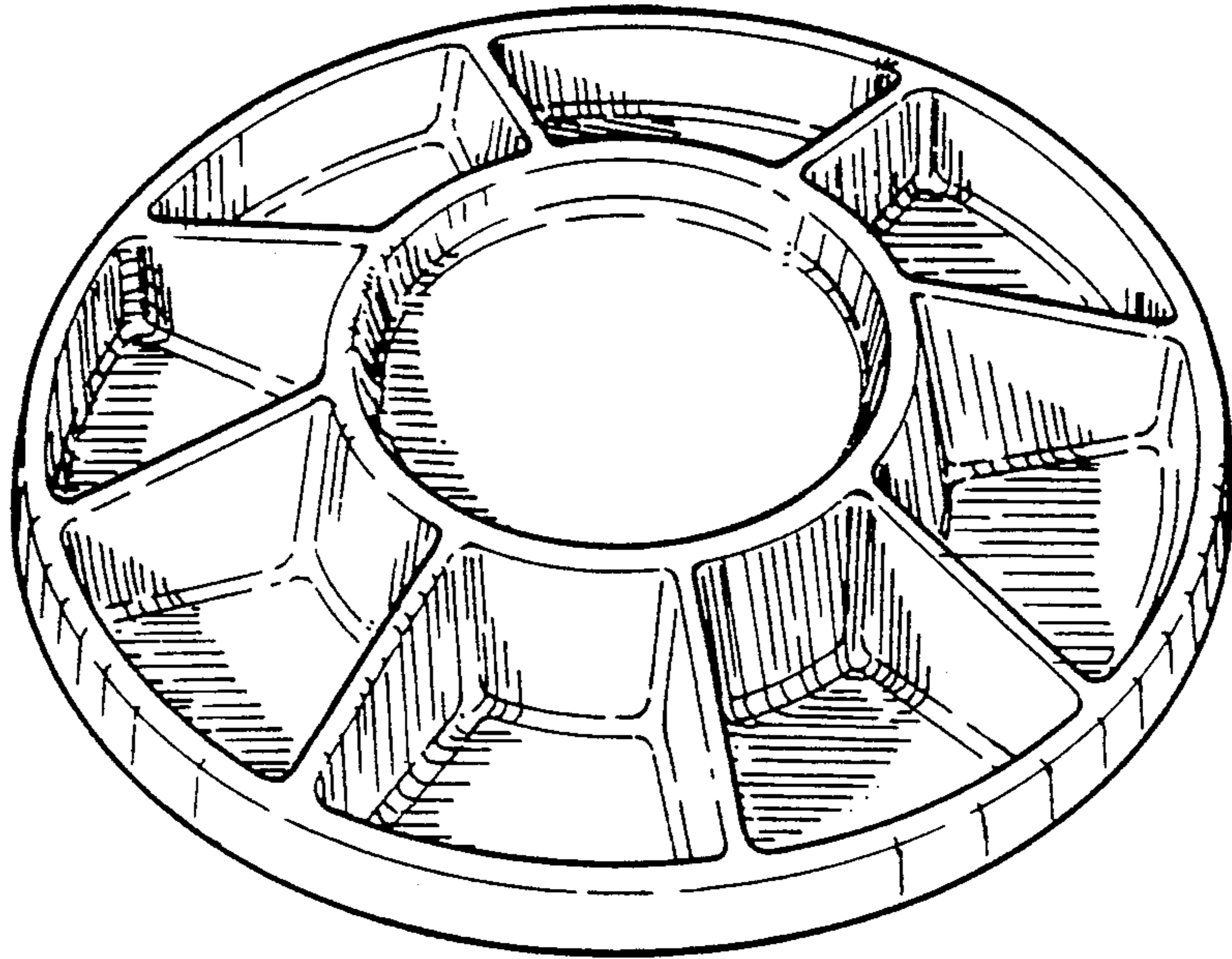


FIG 4

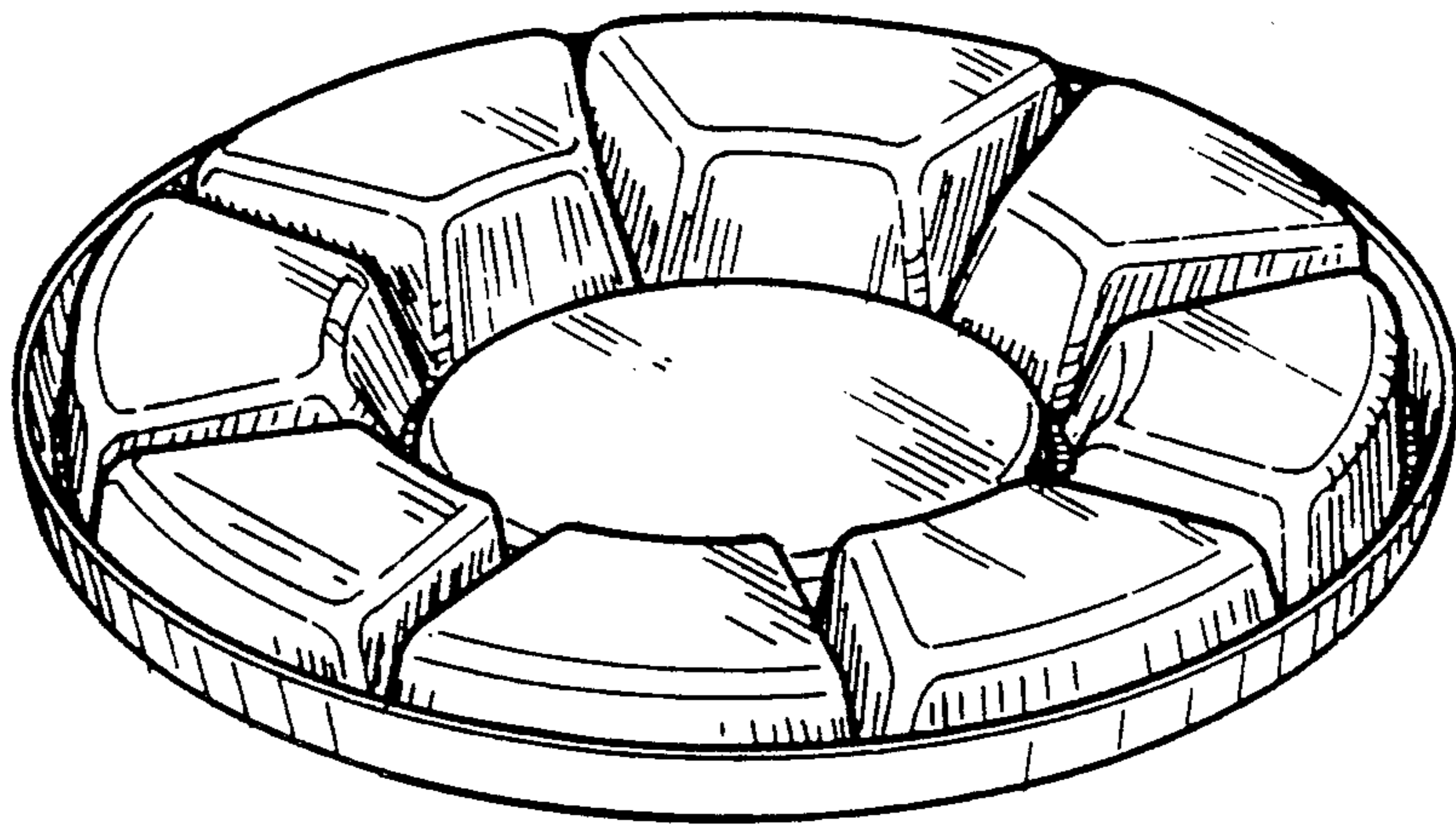


FIG 5