



US00D326741S

# United States Patent [19]

[11] Patent Number: **Des. 326,741**

**Powers**

[45] Date of Patent: **\*\* Jun. 2, 1992**

[54] SELF FEEDER FOR ANIMALS

[76] Inventor: **Michael R. Powers**, Rte. 1, Hwy. 221, Enoree, S.C. 29335

[\*\*] Term: **14 Years**

[21] Appl. No.: **659,147**

[22] Filed: **Feb. 22, 1991**

[52] U.S. Cl. .... **D30/121; D30/128**

[58] Field of Search ..... **D30/121-122, D30/129, 130-133; 119/70, 54, 53.5, 52.1, 52.2, 57.8, 51.04; 220/630**

|           |         |         |       |           |
|-----------|---------|---------|-------|-----------|
| 1,801,787 | 4/1931  | Zehner  | ..... | 119/70    |
| 3,276,630 | 10/1966 | Welch   | ..... | 119/51.04 |
| 3,643,632 | 2/1972  | Poirot  | ..... | 119/54    |
| 4,955,319 | 9/1990  | Brucker | ..... | 119/57.8  |

*Primary Examiner*—A. Hugo Word  
*Assistant Examiner*—Cathy Anne MacCormac  
*Attorney, Agent, or Firm*—Bailey & Hardaway

### [57] CLAIM

The ornamental design for a self feeder for animals, as shown and described.

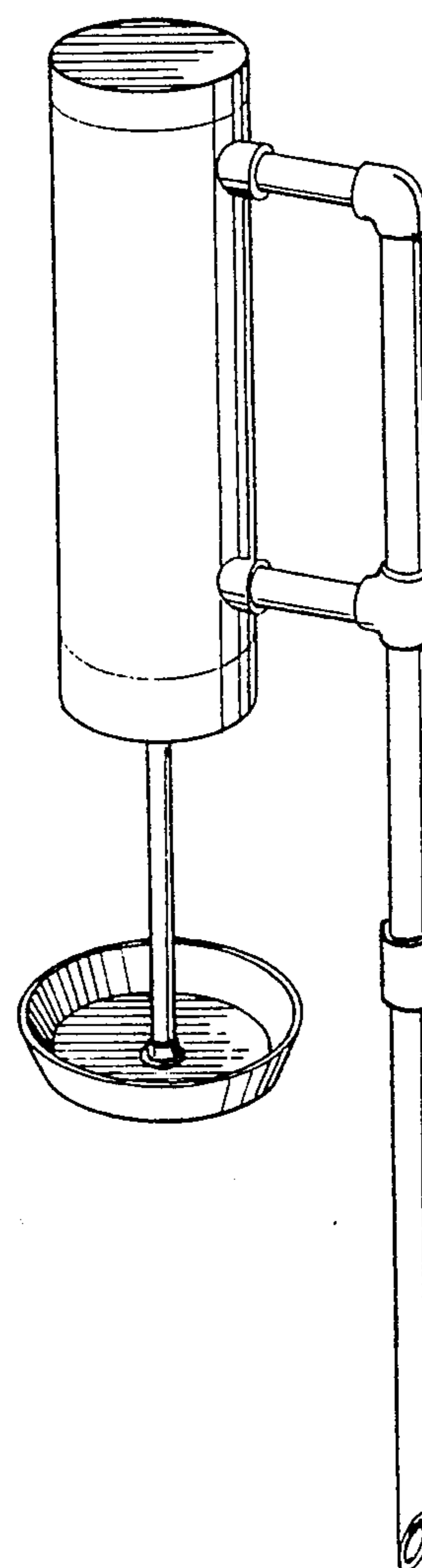
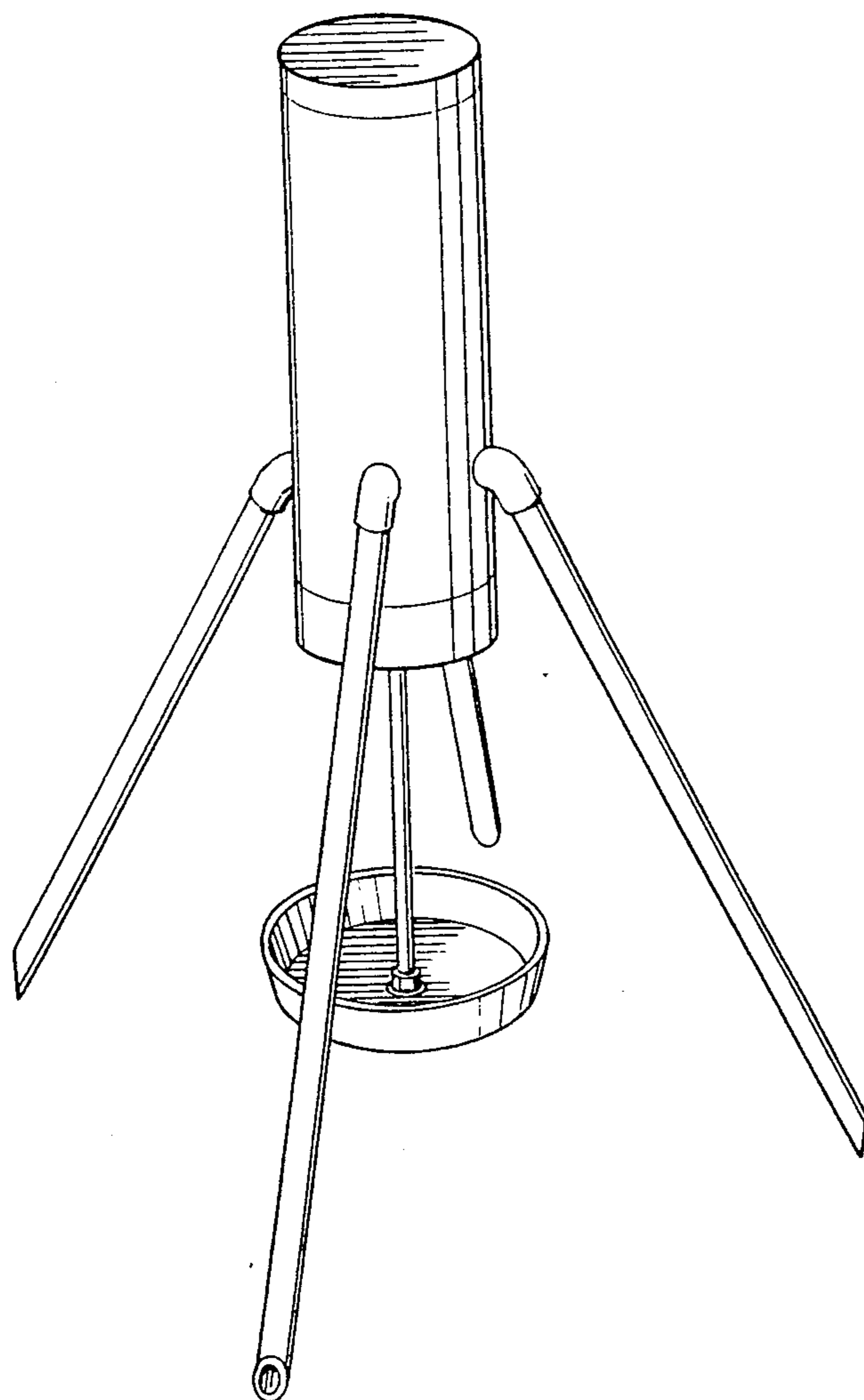
### DESCRIPTION

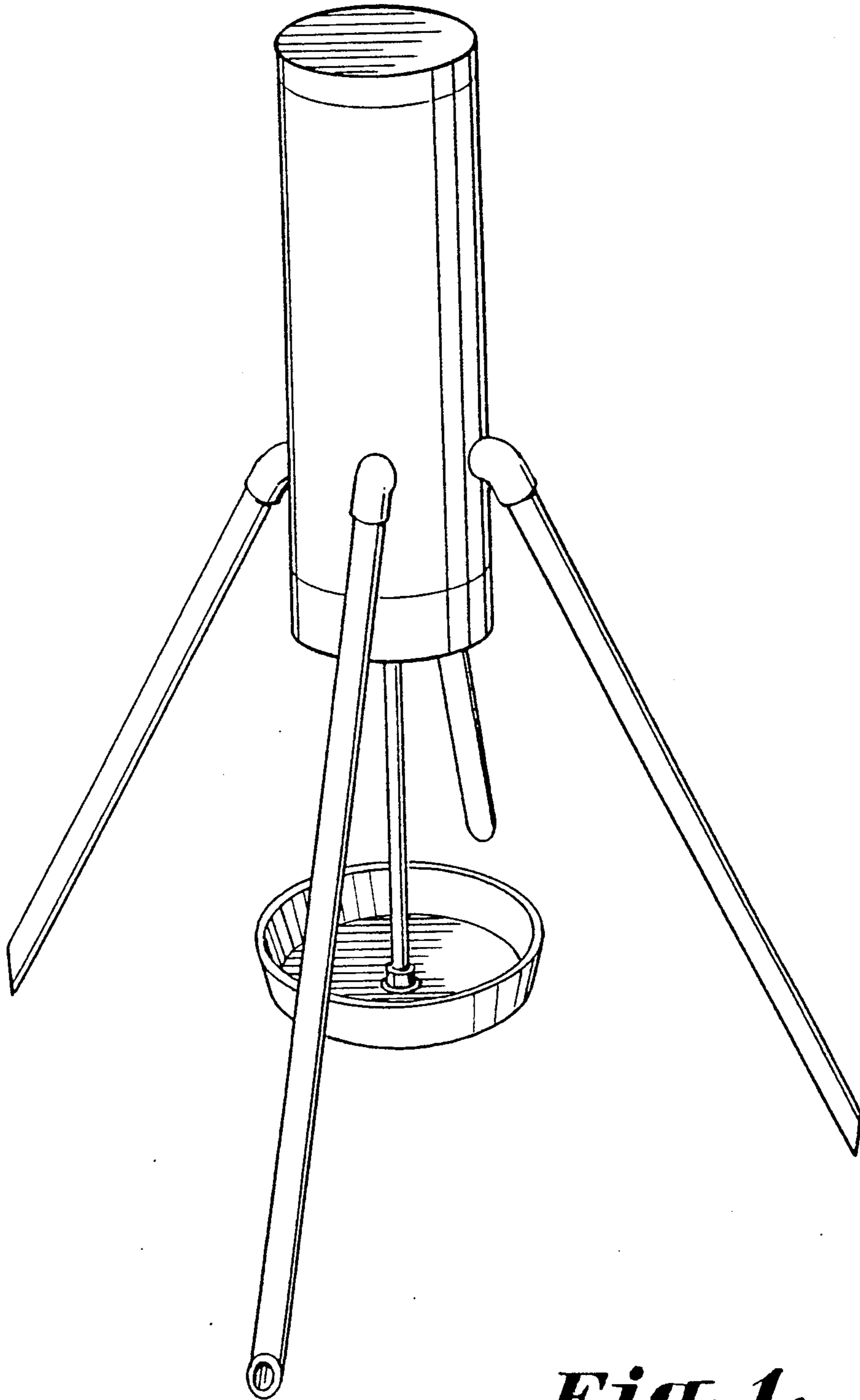
FIG. 1 is a top perspective view of a self feeder for animals showing my new design;  
FIG. 2 is a top plan view thereof;  
FIG. 3 is a bottom plan view thereof;  
FIG. 4 is a top perspective view of a second embodiment of FIG. 1;  
FIG. 5 is a top plan view of FIG. 4; and,  
FIG. 6 is a bottom plan view of FIG. 4.

### [56] References Cited

#### U.S. PATENT DOCUMENTS

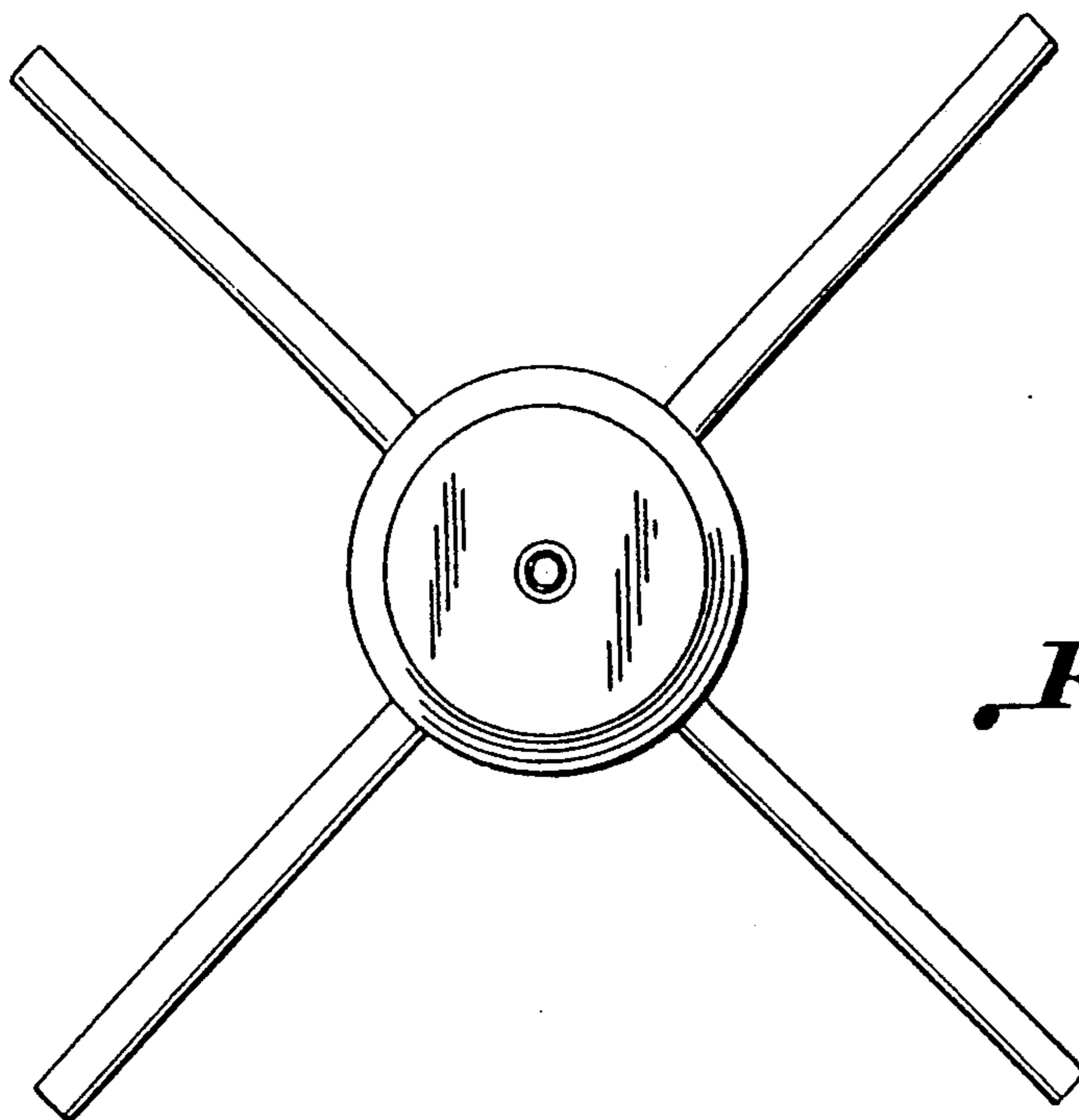
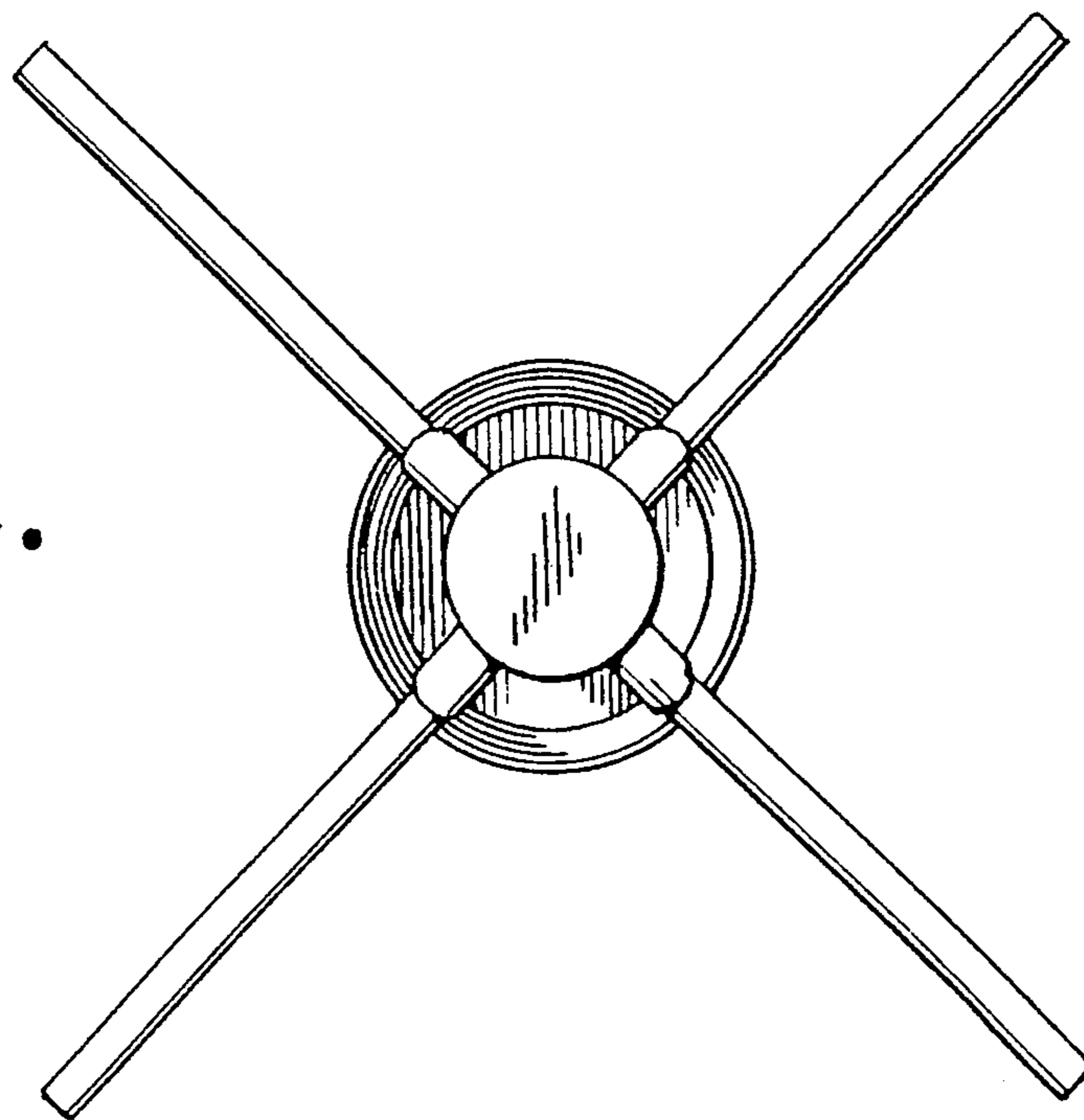
|            |         |                       |       |          |
|------------|---------|-----------------------|-------|----------|
| D. 268,056 | 2/1983  | Campbell-Kelly et al. | ..... | D30/121  |
| 701,121    | 5/1902  | Yevers                | ..... | 119/70   |
| 1,038,766  | 9/1912  | Lawlor                | ..... | 119/70   |
| 1,558,316  | 10/1925 | Tipple                | ..... | 119/57.8 |
| 1,740,384  | 12/1929 | Wright                | ..... | 220/630  |





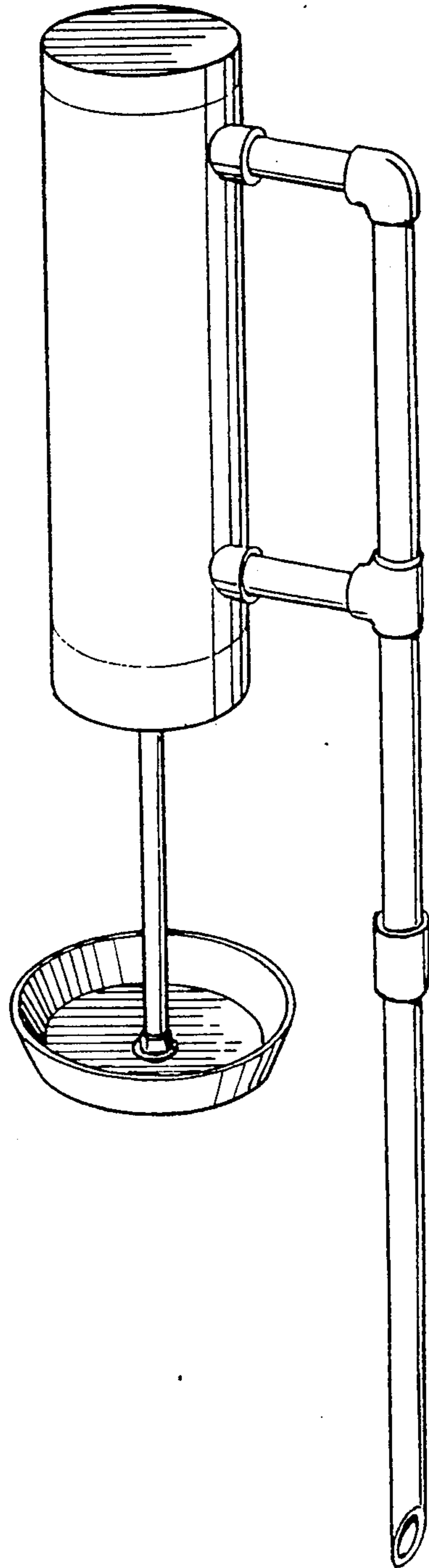
*Fig. 1.*

*Fig. 2.*

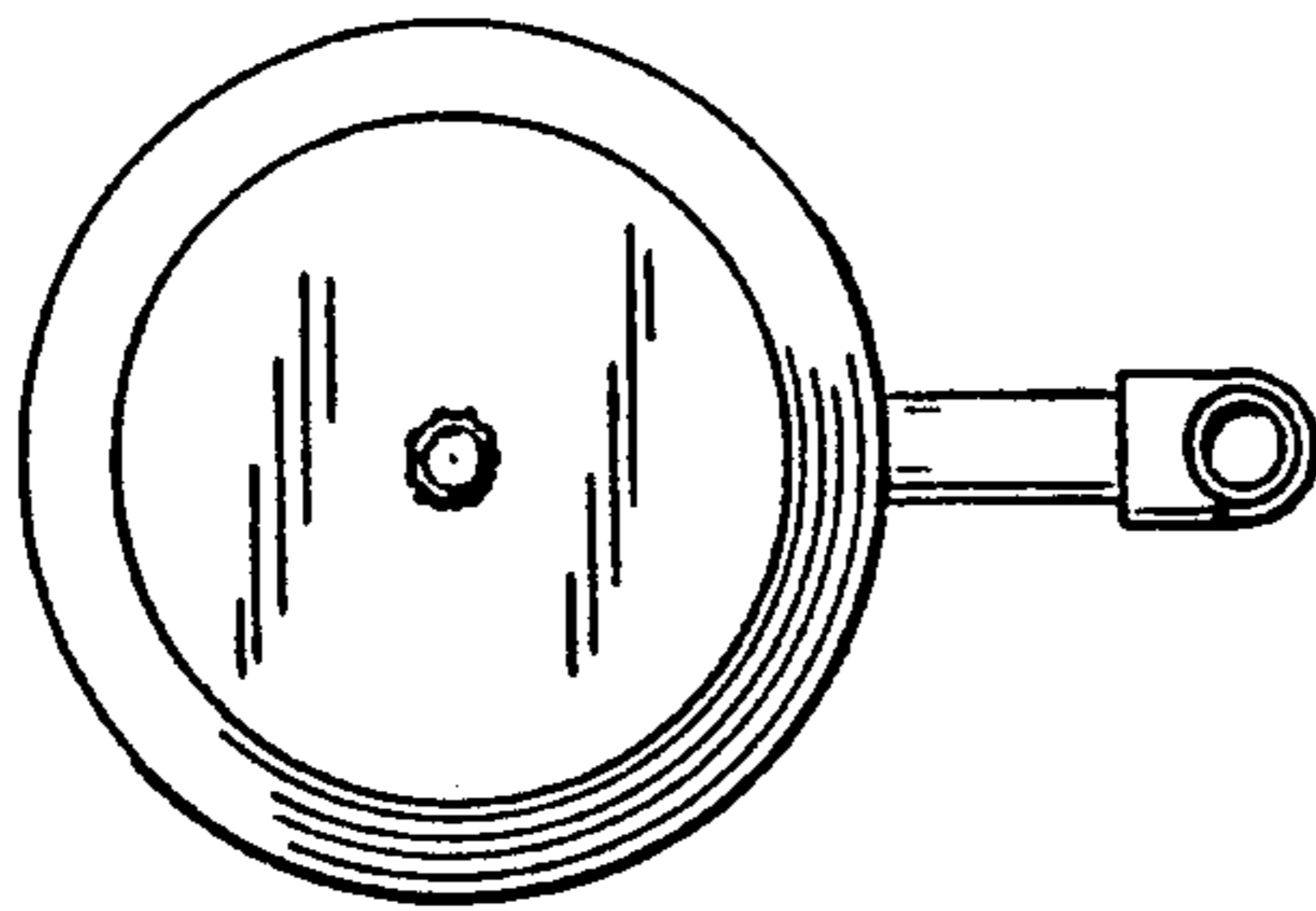
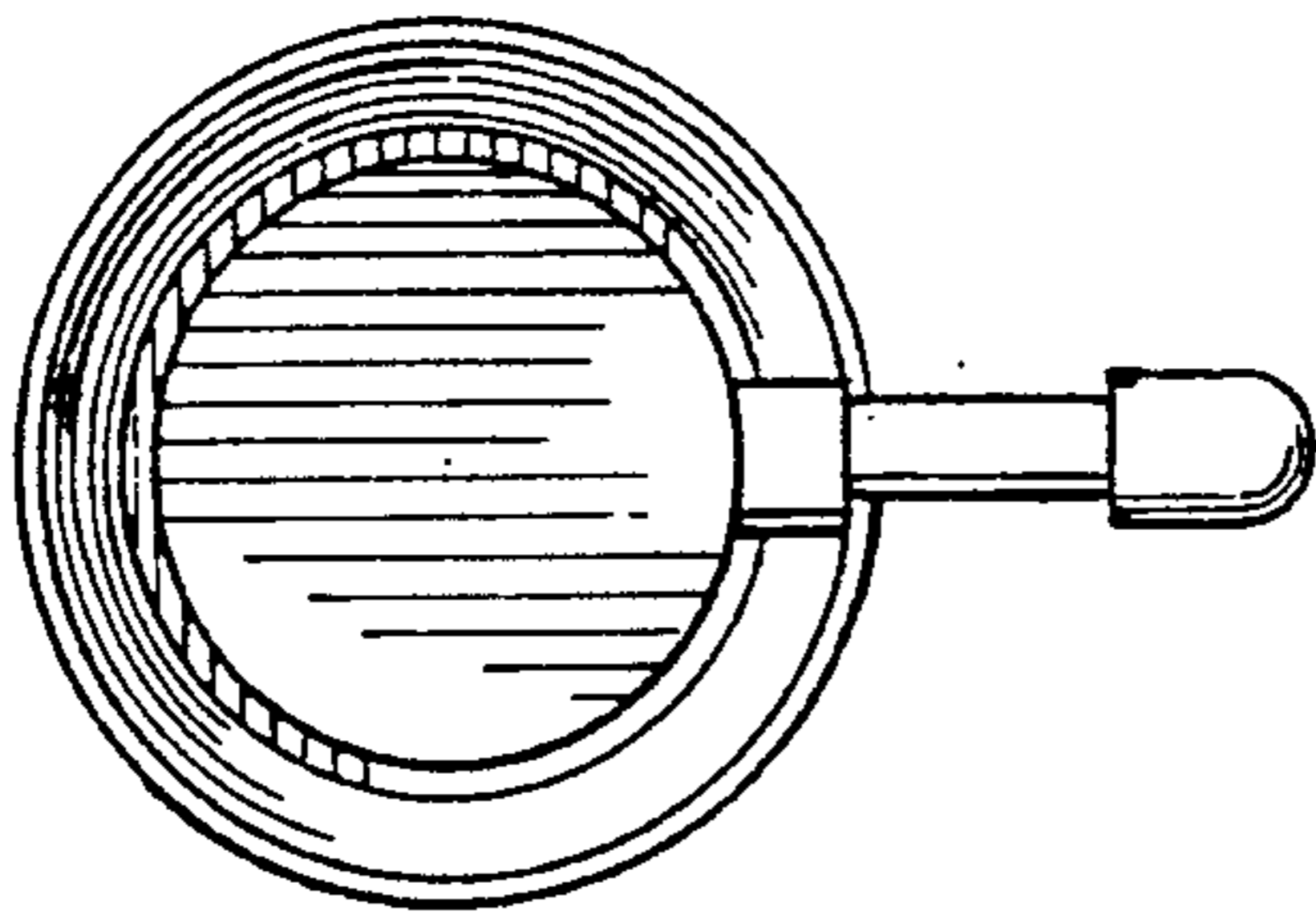


*Fig. 3.*

*Fig. 4.*



*Fig. 5.*



*Fig. 6.*