



US00D326735S

United States Patent [19]

[11] Patent Number: **Des. 326,735**

Mauro

[45] Date of Patent: **** Jun. 2, 1992**

[54] **DRY SHAVER**

[75] Inventor: **Charles L. Mauro, East Haddam, Conn.**

[73] Assignee: **U.S. Philips Corporation, New York, N.Y.**

[**] Term: **14 Years**

[21] Appl. No.: **552,261**

[22] Filed: **Jul. 10, 1990**

[30] **Foreign Application Priority Data**

Jan. 18, 1990 [WO] World Int. Prop. O. ... DM/016.587

[52] U.S. Cl. **D28/50**

[58] Field of Search **D28/44, 49-54; 30/32, 34.05, 34.1, 34.2, 41, 42, 43, 43.1-43.92, 44, 45, 85-90**

[56] **References Cited**

U.S. PATENT DOCUMENTS

- D. 157,063 1/1950 Mansfield D28/52
- D. 231,809 6/1974 Fujishima D28/50
- D. 246,731 12/1977 Alister D28/50
- D. 250,212 11/1978 Takagi et al. D28/50

- D. 270,487 9/1983 Nagelkerke et al. D28/50
- D. 276,563 11/1984 Kiam, II et al. D28/50
- D. 307,491 4/1990 Okada D28/50
- 3,225,440 12/1965 Owens 30/43.6
- 4,668,328 8/1987 Oord 30/43.6

FOREIGN PATENT DOCUMENTS

- 212589 8/1989 Japan 30/34.2
- 39610 12/1955 Poland 30/43.6

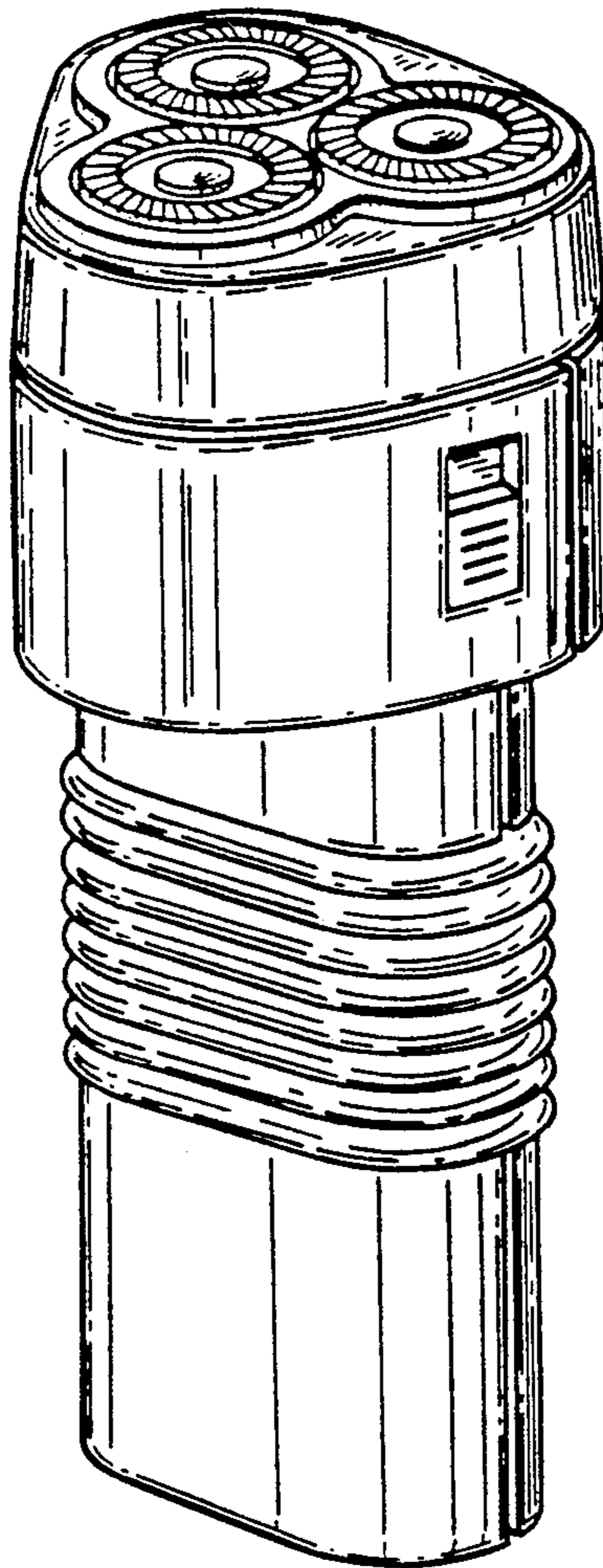
Primary Examiner—Bernard Ansher
Assistant Examiner—C. Tuttle
Attorney, Agent, or Firm—Jack E. Haken

[57] **CLAIM**

The ornamental design for a dry shaver, as shown.

DESCRIPTION

FIG. 1 is a perspective view of a dry shaver showing my new design;
FIG. 2 is a front elevational view thereof;
FIG. 3 is a rear elevational view thereof;
FIG. 4 is a right side elevational view thereof;
FIG. 5 is a left side elevational view thereof;
FIG. 6 is a top plan view thereof; and,
FIG. 7 is a bottom plan view thereof.



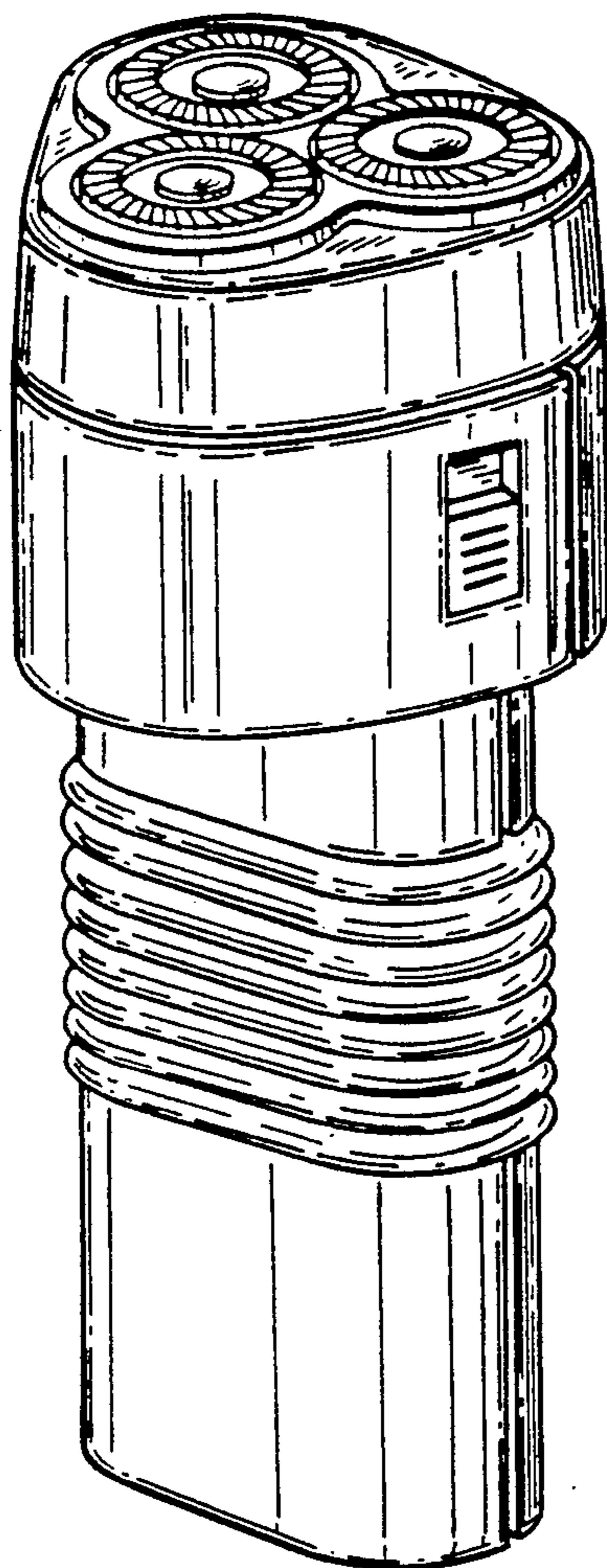


FIG. 1

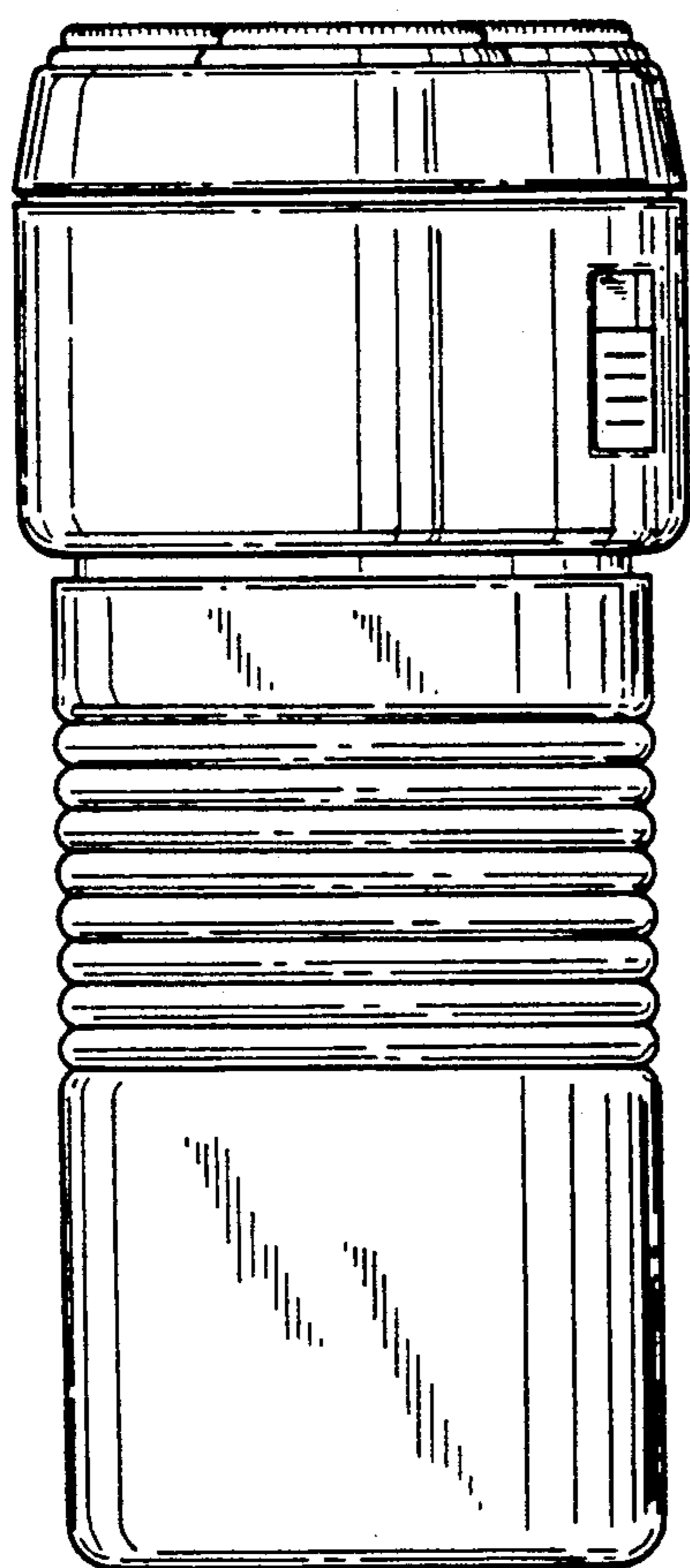


FIG. 2

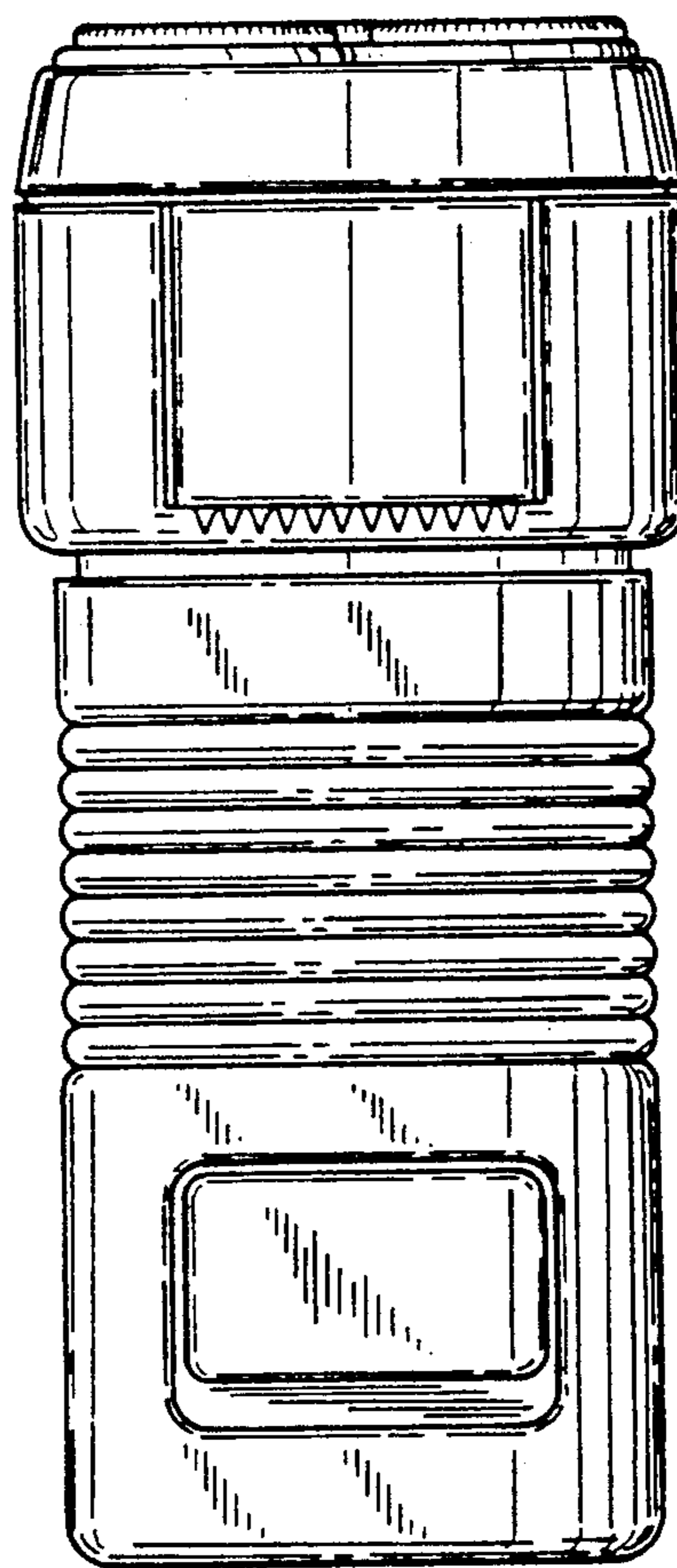


FIG. 3

FIG. 4

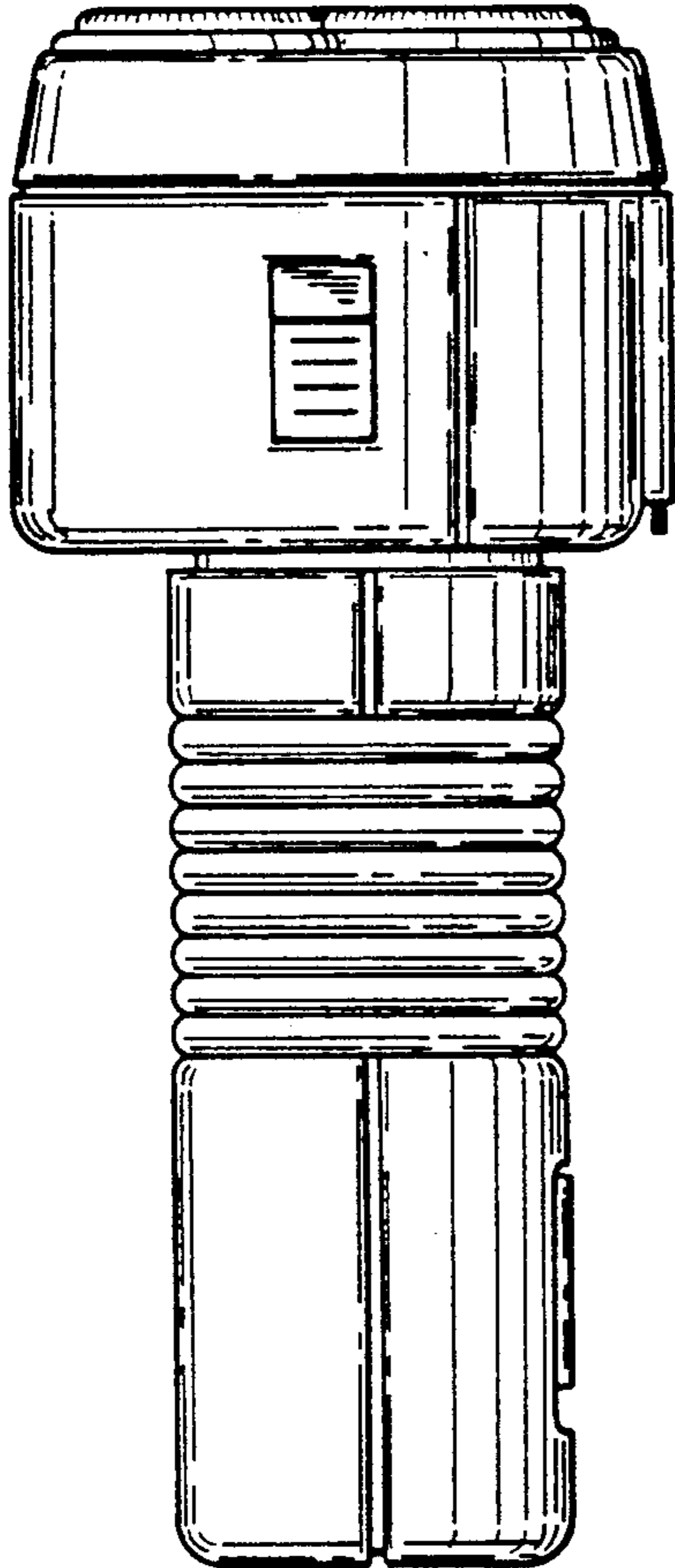


FIG. 5

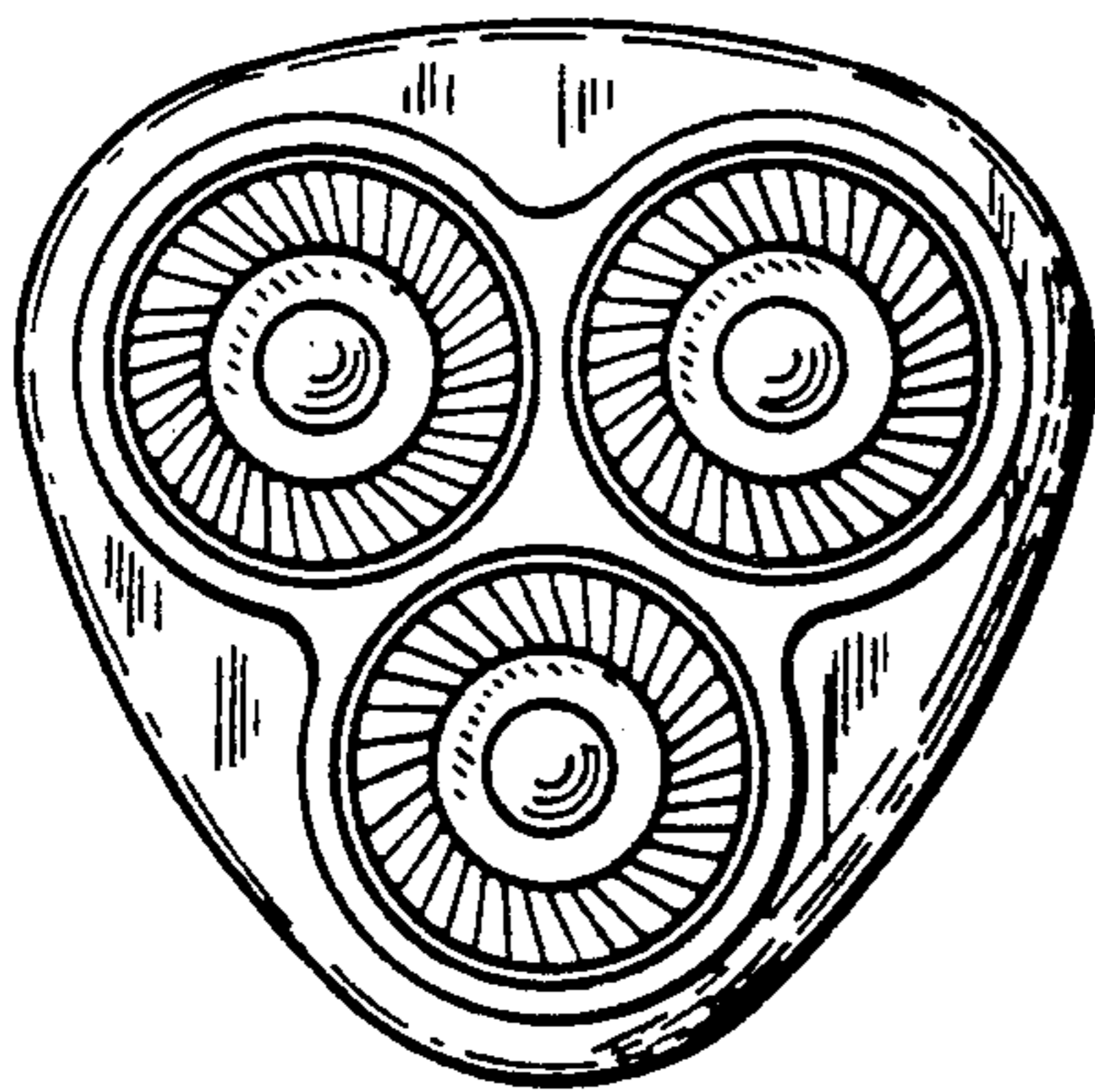
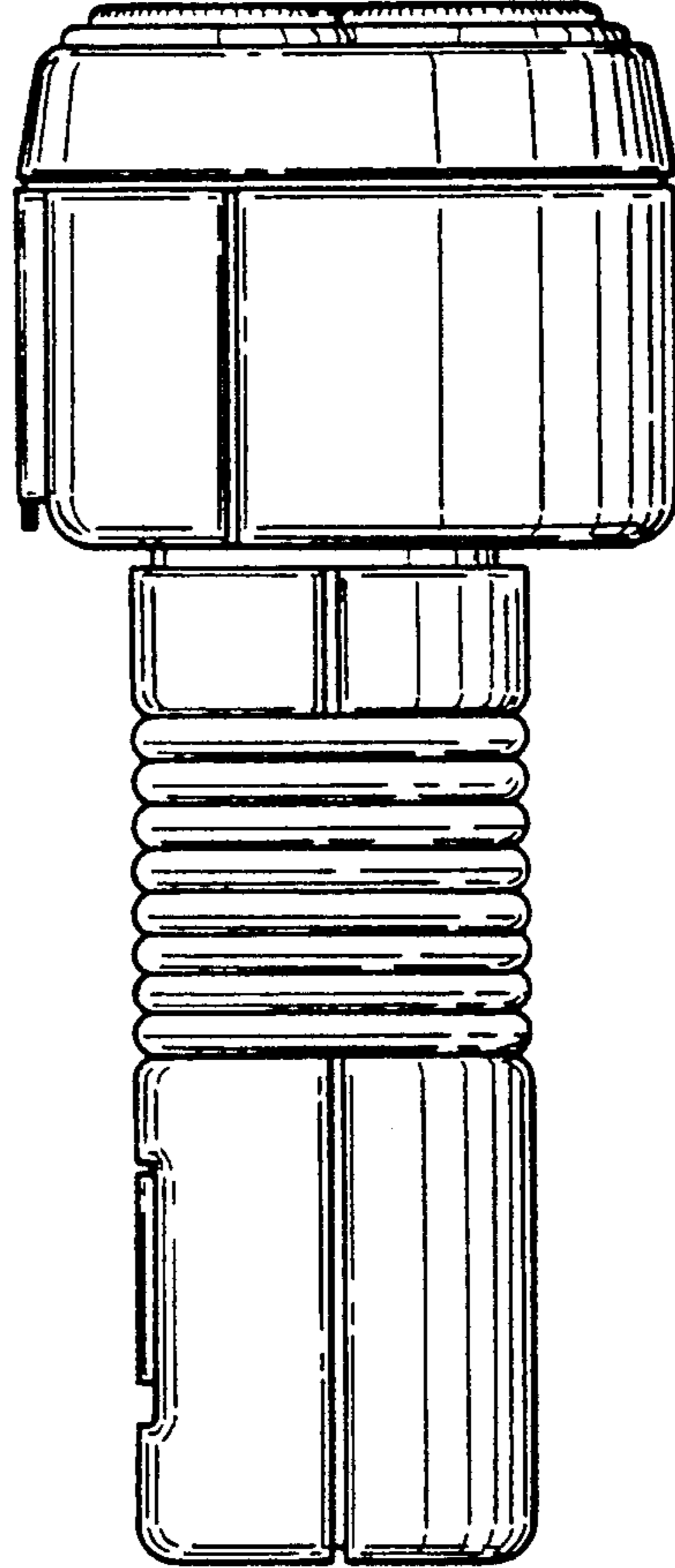


FIG. 6

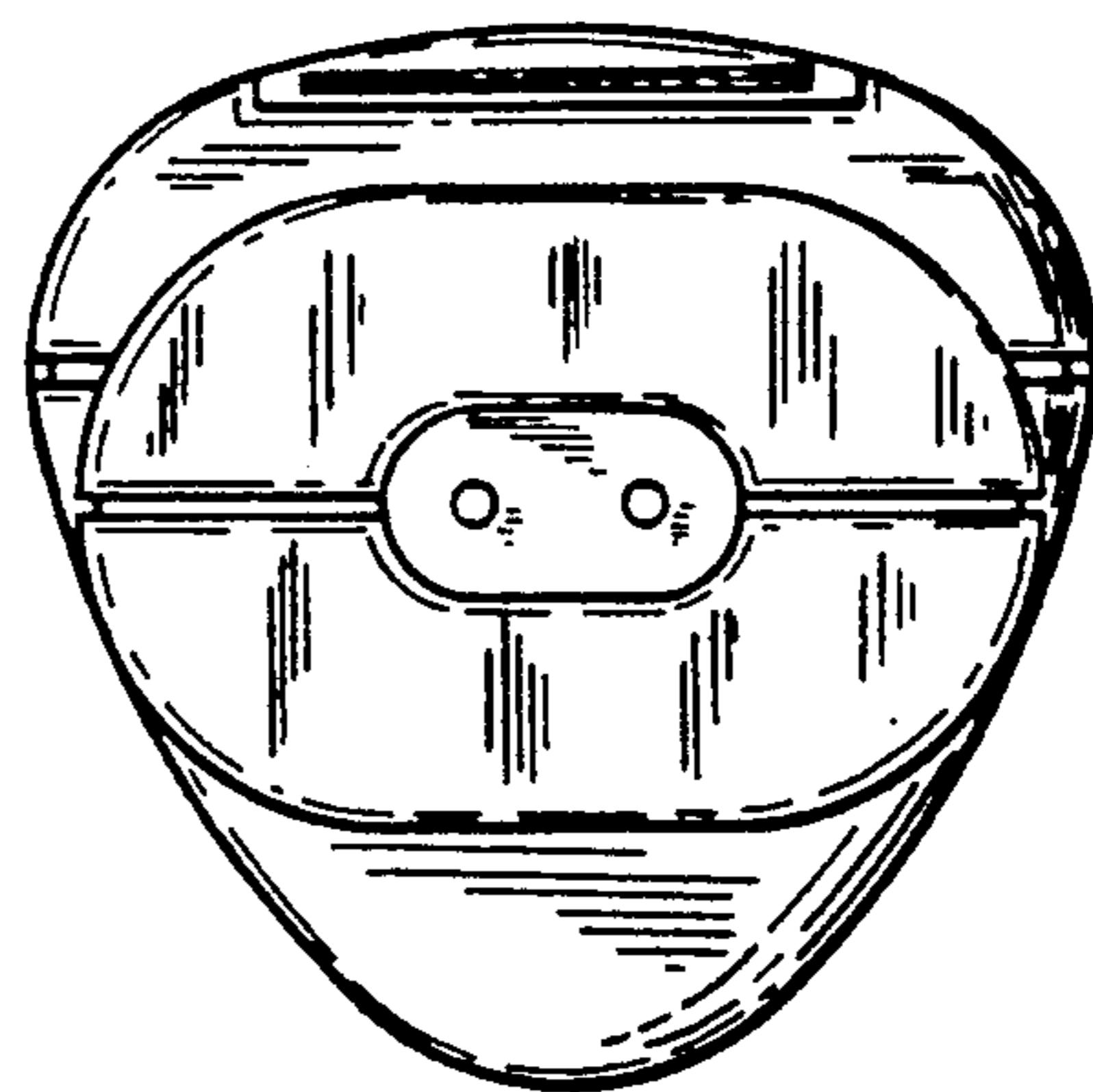


FIG. 7