



US00D326729S

United States Patent [19]
Gattari

[11] **Patent Number: Des. 326,729**
[45] **Date of Patent: ** Jun. 2, 1992**

[54] **RECESSED LIGHTING FIXTURE**

[75] Inventor: **Massimo Gattari, Macerata, Italy**

[73] Assignee: **iGuzzini Illuminazione S.p.A.,
Macerata, Italy**

[**] Term: **14 Years**

[21] Appl. No.: **493,858**

[22] Filed: **Mar. 14, 1990**

[30] **Foreign Application Priority Data**

Sep. 18, 1989 [IT] Italy 21748 B/89

[52] U.S. Cl. **D26/74**

[58] Field of Search D26/72, 74, 80-92;
362/147, 404-408, 362, 364, 365

[56] **References Cited**

U.S. PATENT DOCUMENTS

2,859,333 11/1958 Burluik et al. 362/364
3,518,420 6/1970 Kripp 362/365 X
4,551,791 11/1985 Salansky 362/365 X

OTHER PUBLICATIONS

Miller Co. High-Light Lighting Catalog, 1965, p. 13,
recessed ceiling lamp.

Prisma of Italy Lighting Bug, Ltd. Catalog, Rec'd Sep.
1988, p. 6, recessed down light.

Primary Examiner—Susan J. Lucas

Attorney, Agent, or Firm—Hedman, Gibson & Costigan

[57] **CLAIM**

The ornamental design for a recessed lighting fixture, as
shown and described.

DESCRIPTION

FIG. 1 is a top, front perspective view of a recessed
lighting fixture showing my new design;

FIG. 2 is a side elevational view thereof, the opposite
side being a mirror image;

FIG. 3 is a front elevational view thereof;

FIG. 4 is a rear elevational view thereof;

FIG. 5 is a top plan view thereof; and,

FIG. 6 is a bottom plan view thereof.

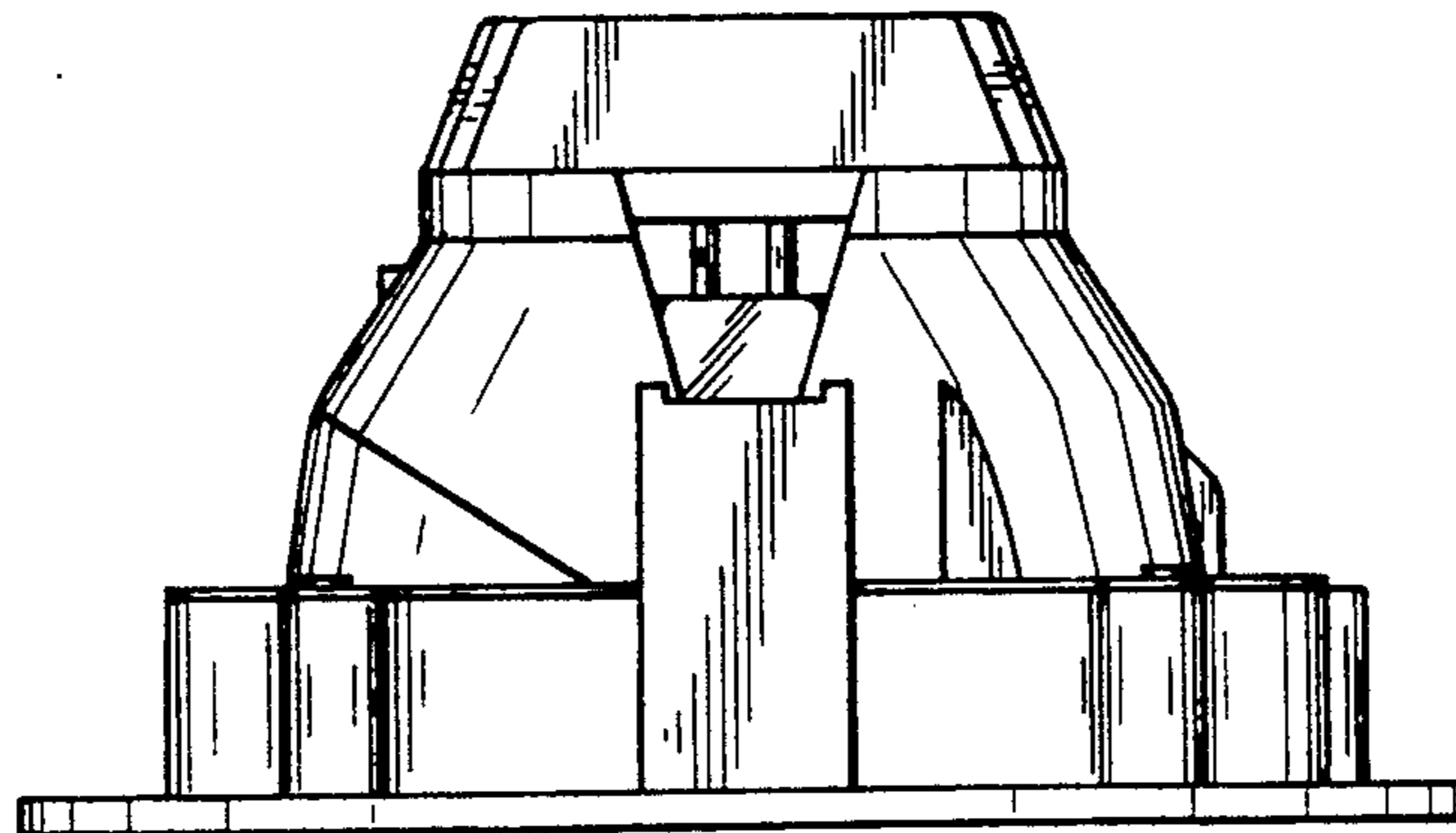
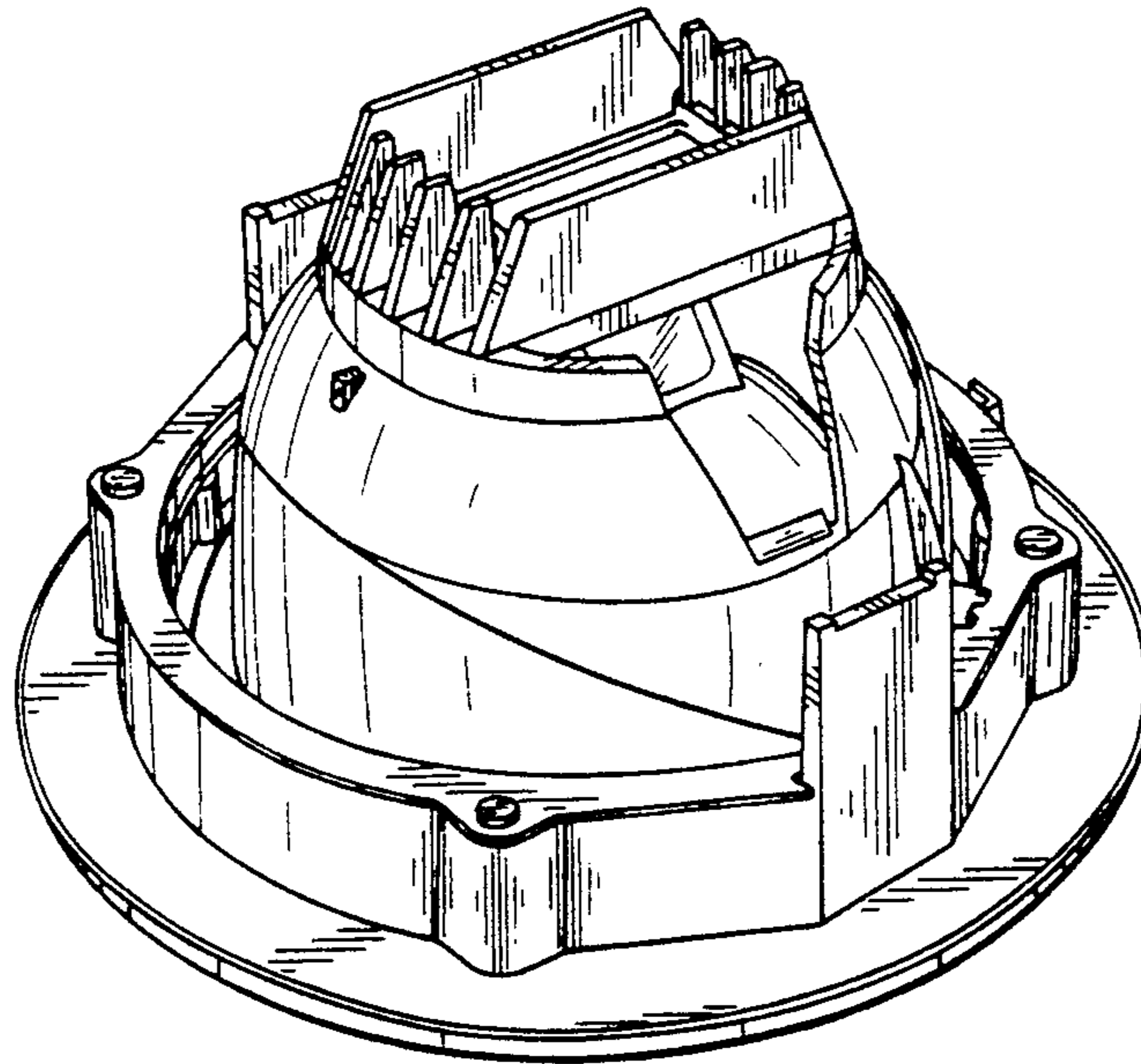


Fig.1

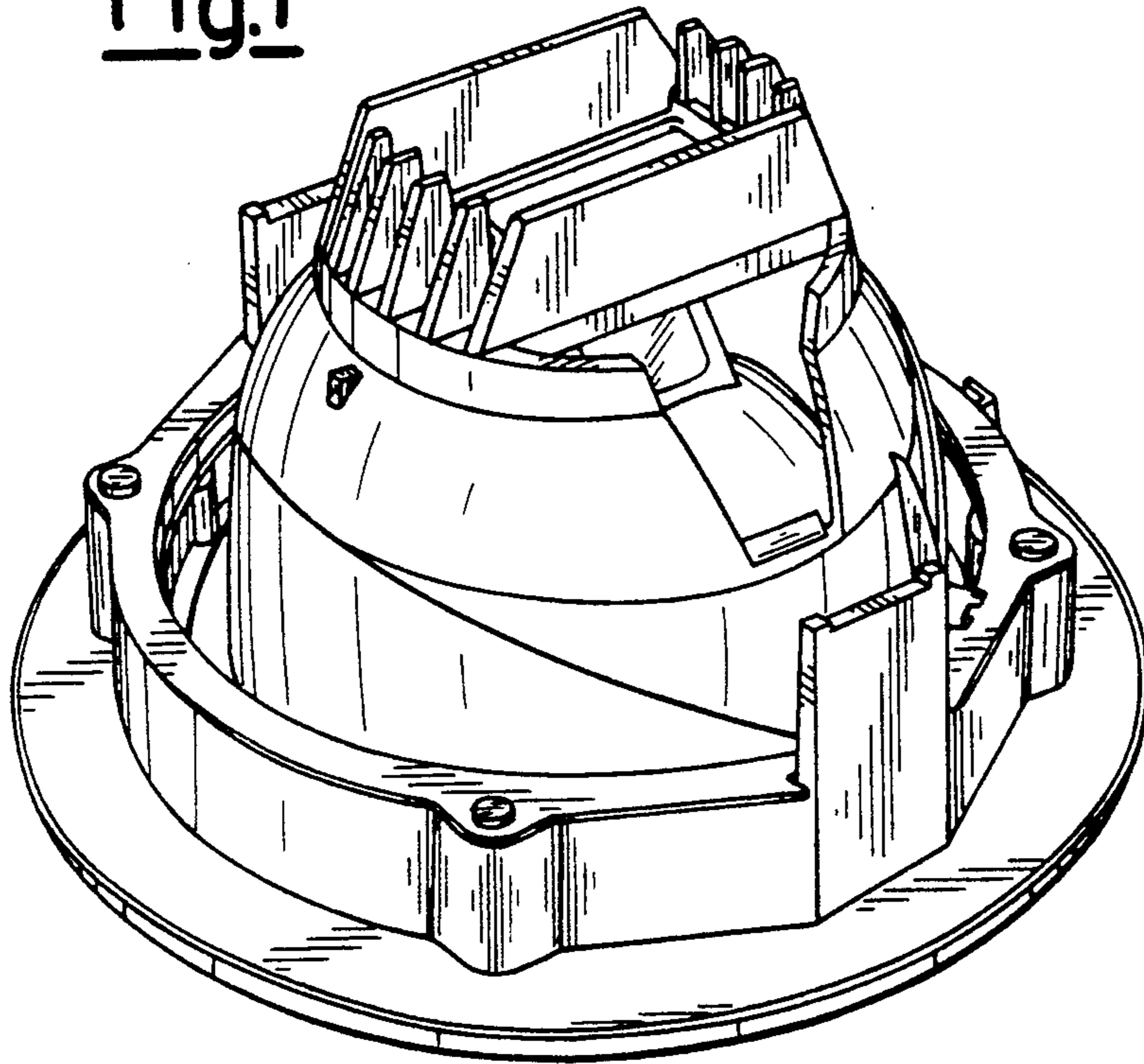


Fig.2

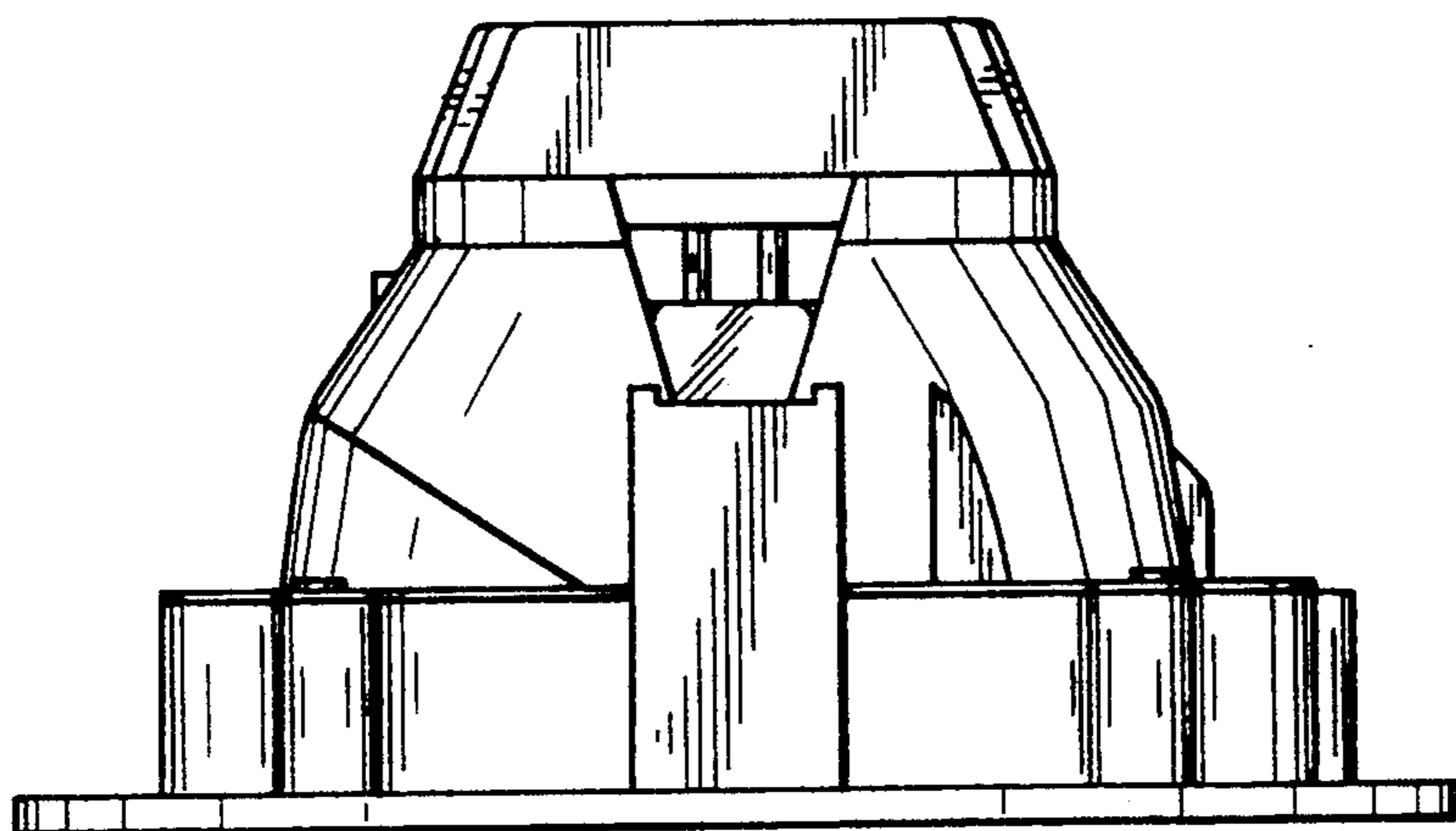


Fig.3

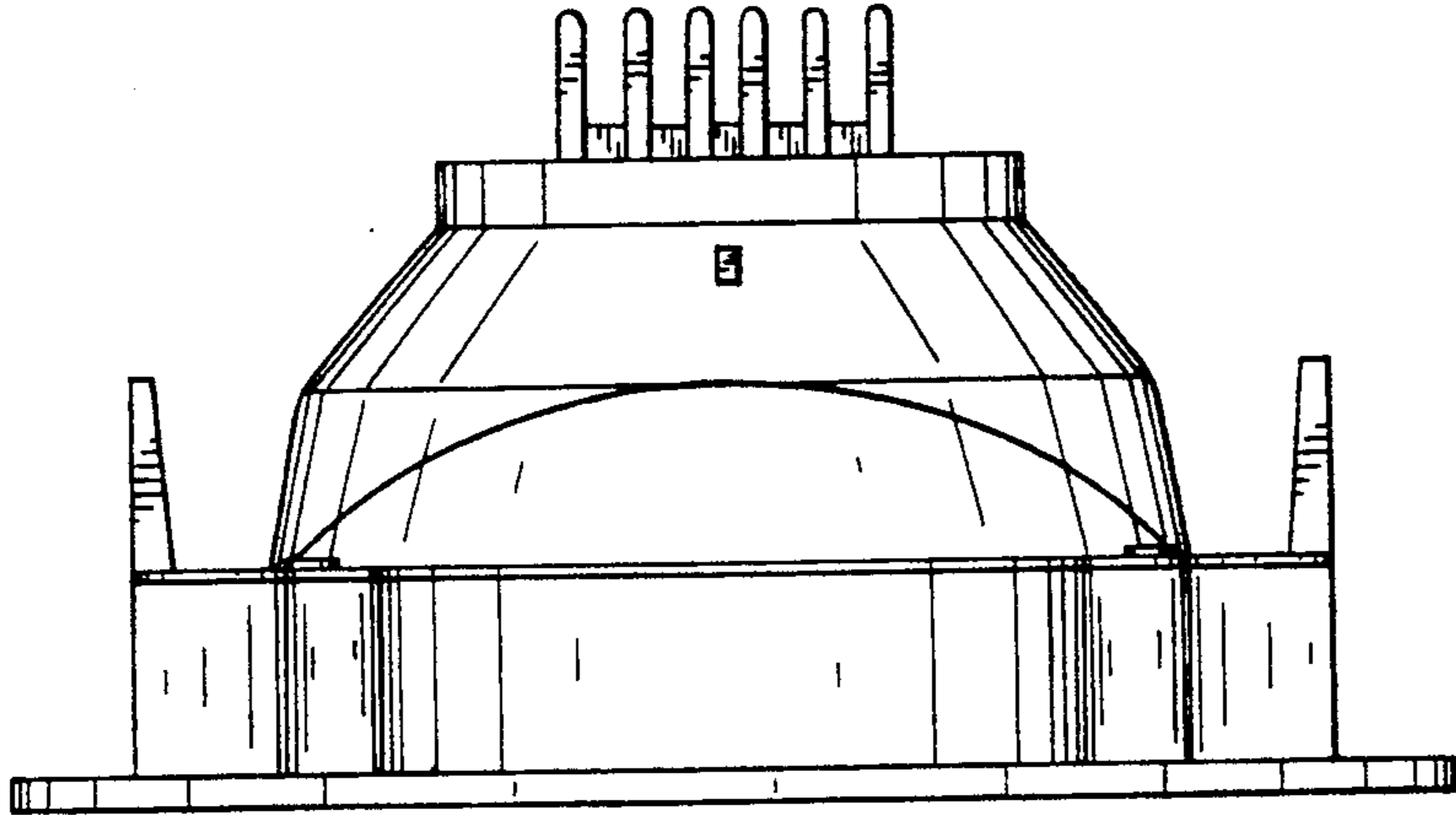


Fig.4

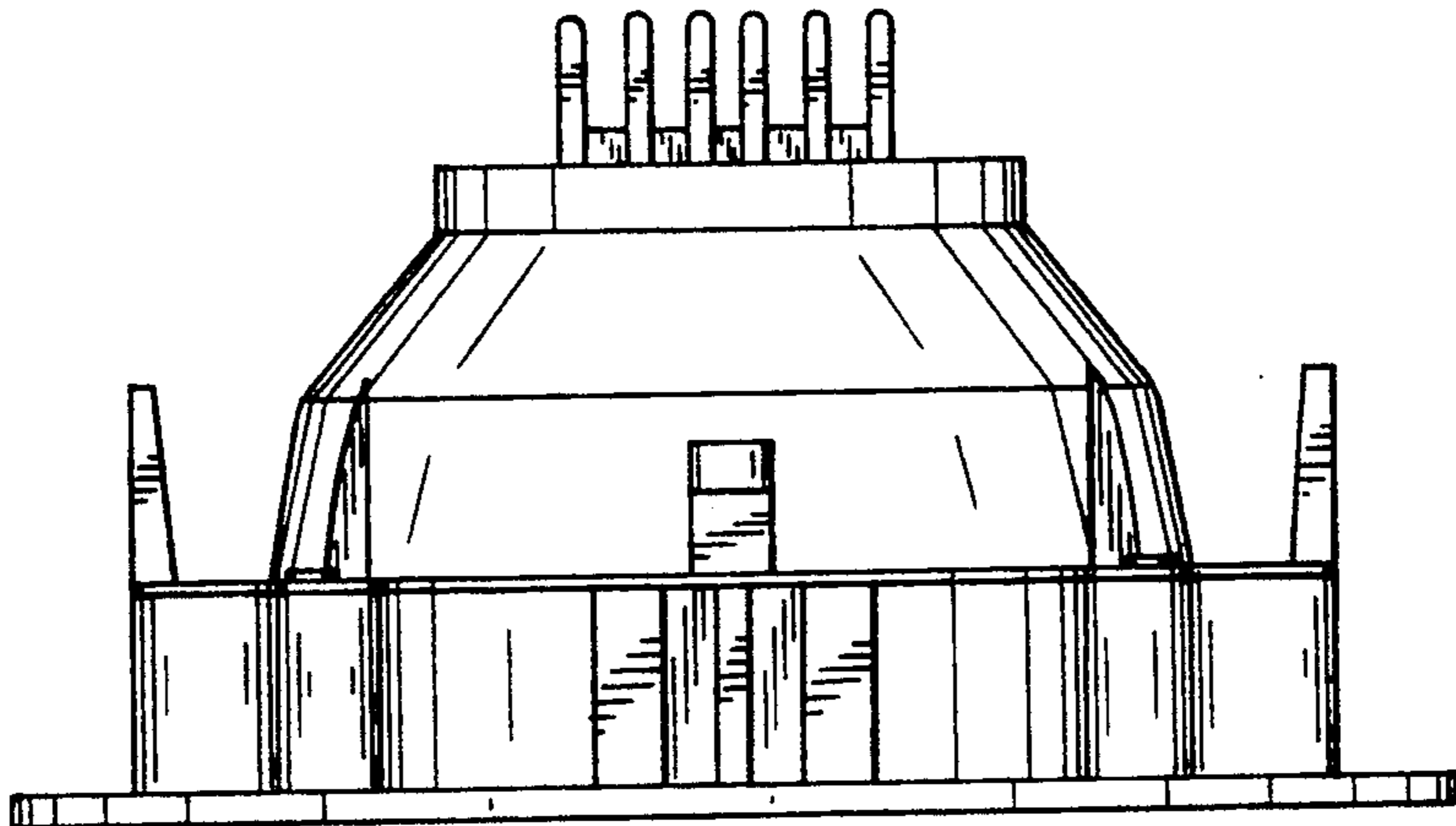


Fig.5

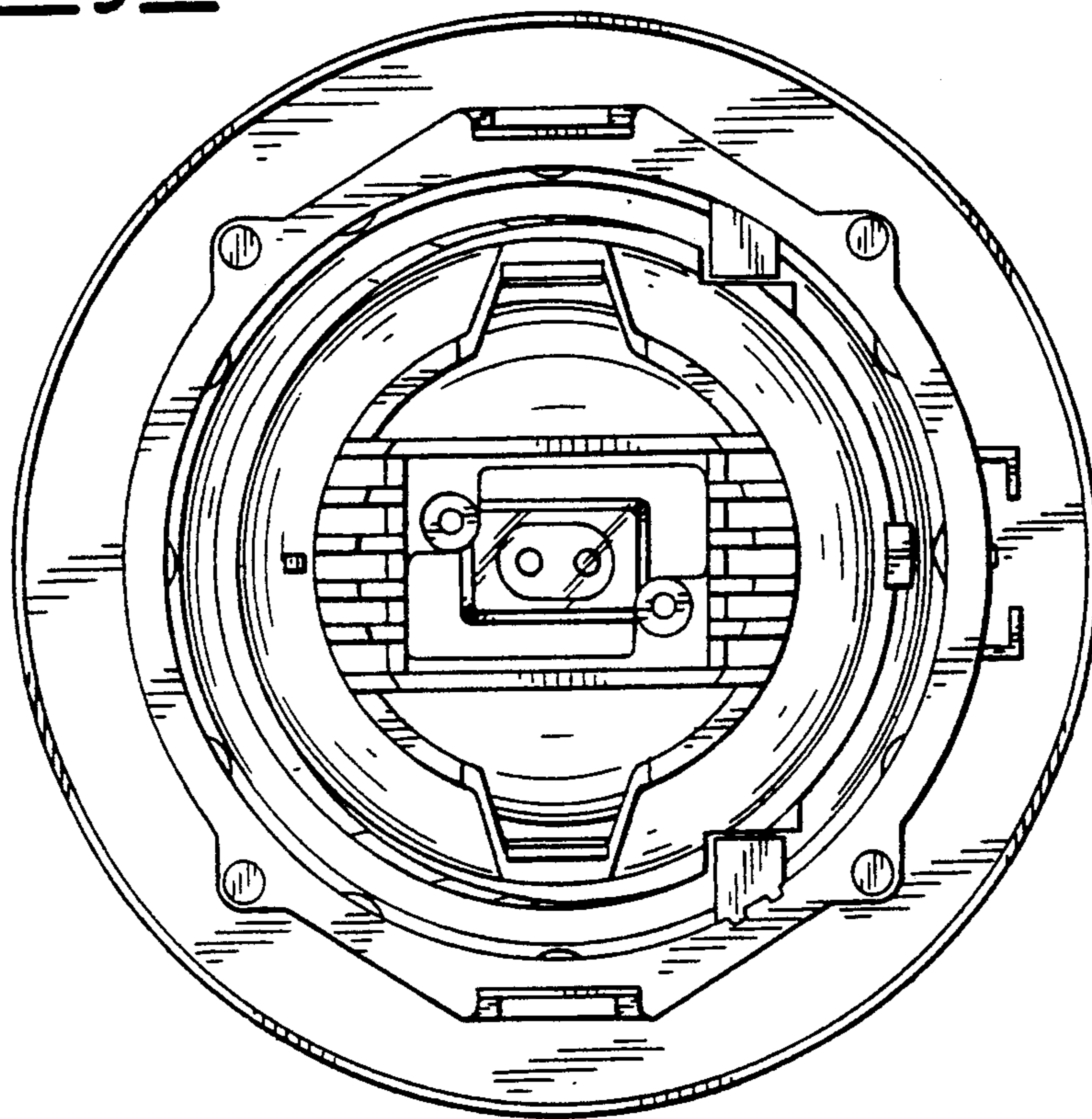


Fig.6

