



US00D326728S

United States Patent [19]

[11] Patent Number: **Des. 326,728**

Layne

[45] Date of Patent: **** Jun. 2, 1992**

[54] **EXTERIOR LIGHTING FIXTURE**

[75] Inventor: **Clifford J. Layne**, Toronto, Canada

[73] Assignee: **Noma Inc.**, Scarborough, Canada

[**] Term: **14 Years**

[21] Appl. No.: **471,239**

[22] Filed: **Jan. 26, 1990**

[52] U.S. Cl. **D26/67; D26/85**

[58] Field of Search **D26/67-70, D26/24, 72, 81, 83-87, 91, 92; 362/431, 432, 362, 363, 147**

[56] **References Cited**

U.S. PATENT DOCUMENTS

- D. 71.538 11/1926 Wellman D26/85
- D. 296.369 6/1988 Harvey D26/67

OTHER PUBLICATIONS

Moe Light Catalog M-166, ©1962, p. 63, Wall Lantern #M-871.

Primary Examiner—Susan J. Lucas
Attorney, Agent, or Firm—Kenneth M. Garrett

[57] **CLAIM**

The ornamental design for an exterior lighting fixture, as shown and described.

DESCRIPTION

FIG. 1 is a top, front right side perspective view of an exterior lighting fixture showing my new design;
 FIG. 2 is a top plan view thereof on an enlarged scale;
 FIG. 3 is a right side elevational view thereof on an enlarged scale, the left side, front and rear being identical;
 FIG. 4 is a bottom plan view thereof on an enlarged scale;
 FIG. 5 is a top, front, right side perspective view of a second embodiment of my new design;
 FIG. 6 is a top plan view thereof on an enlarged scale;
 and,
 FIG. 7 is a bottom plan view thereof.
 In side elevation the second embodiment is identical to the first embodiment as shown in FIG. 3.

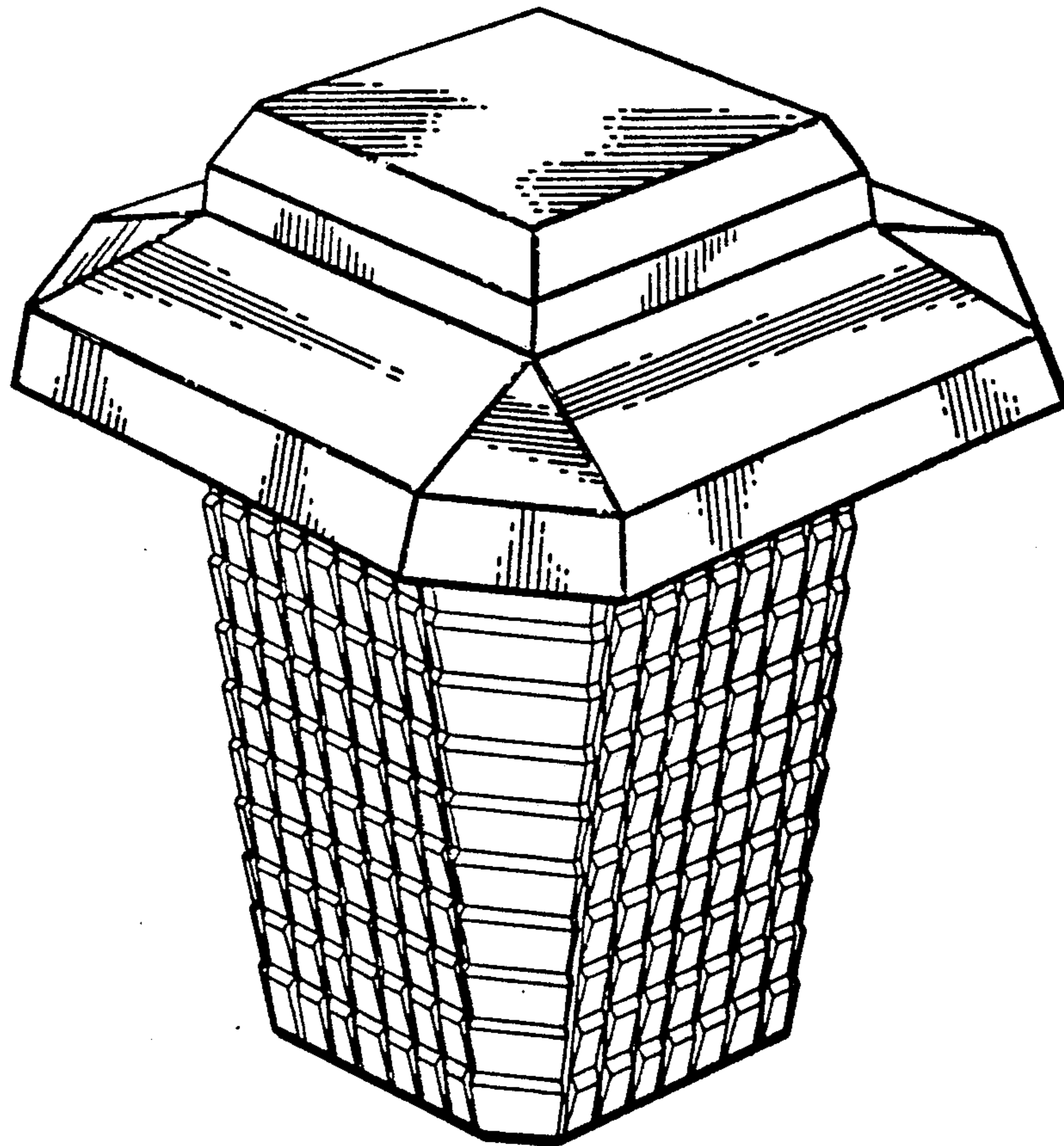


FIG. 1.

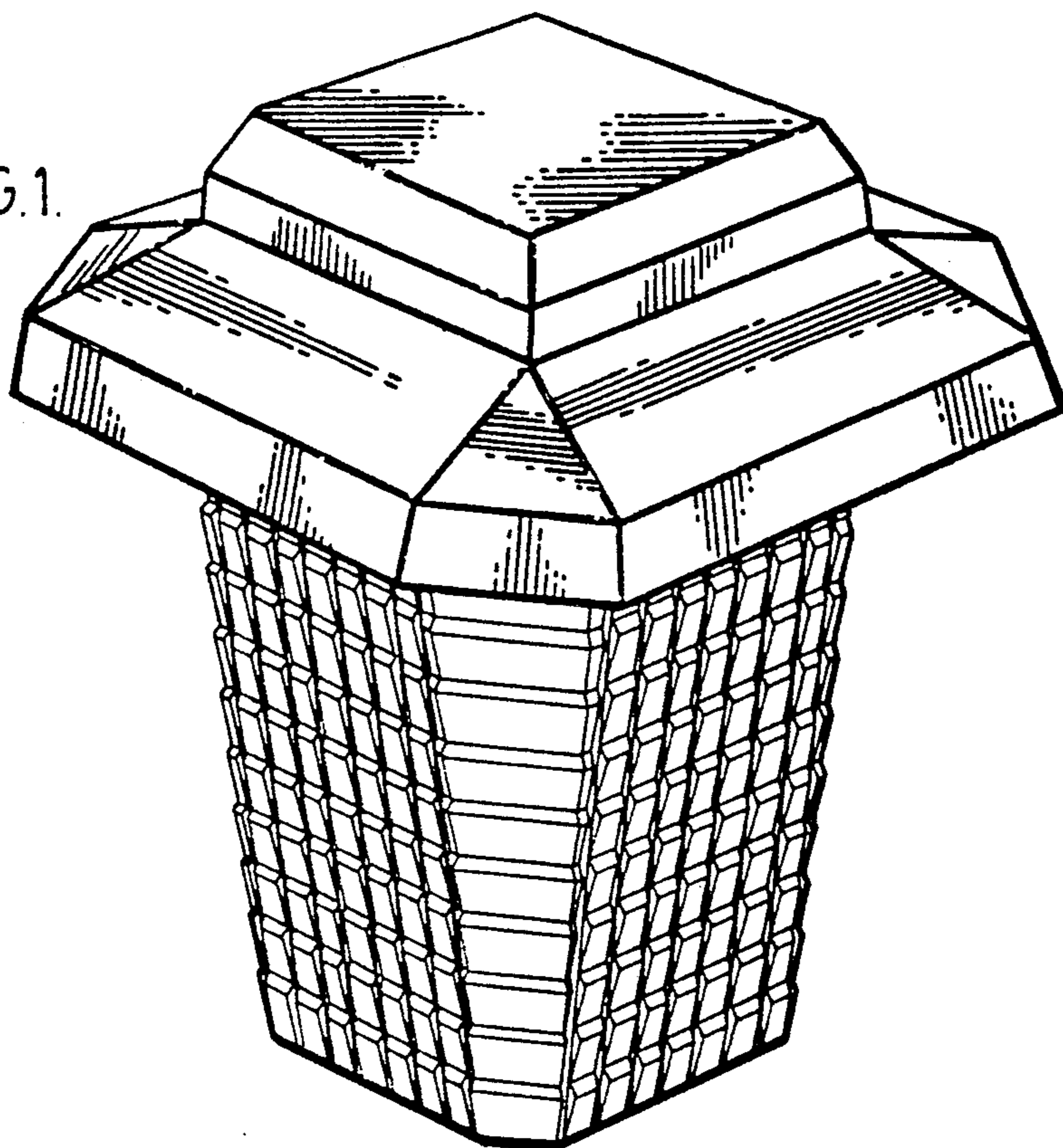


FIG. 2.

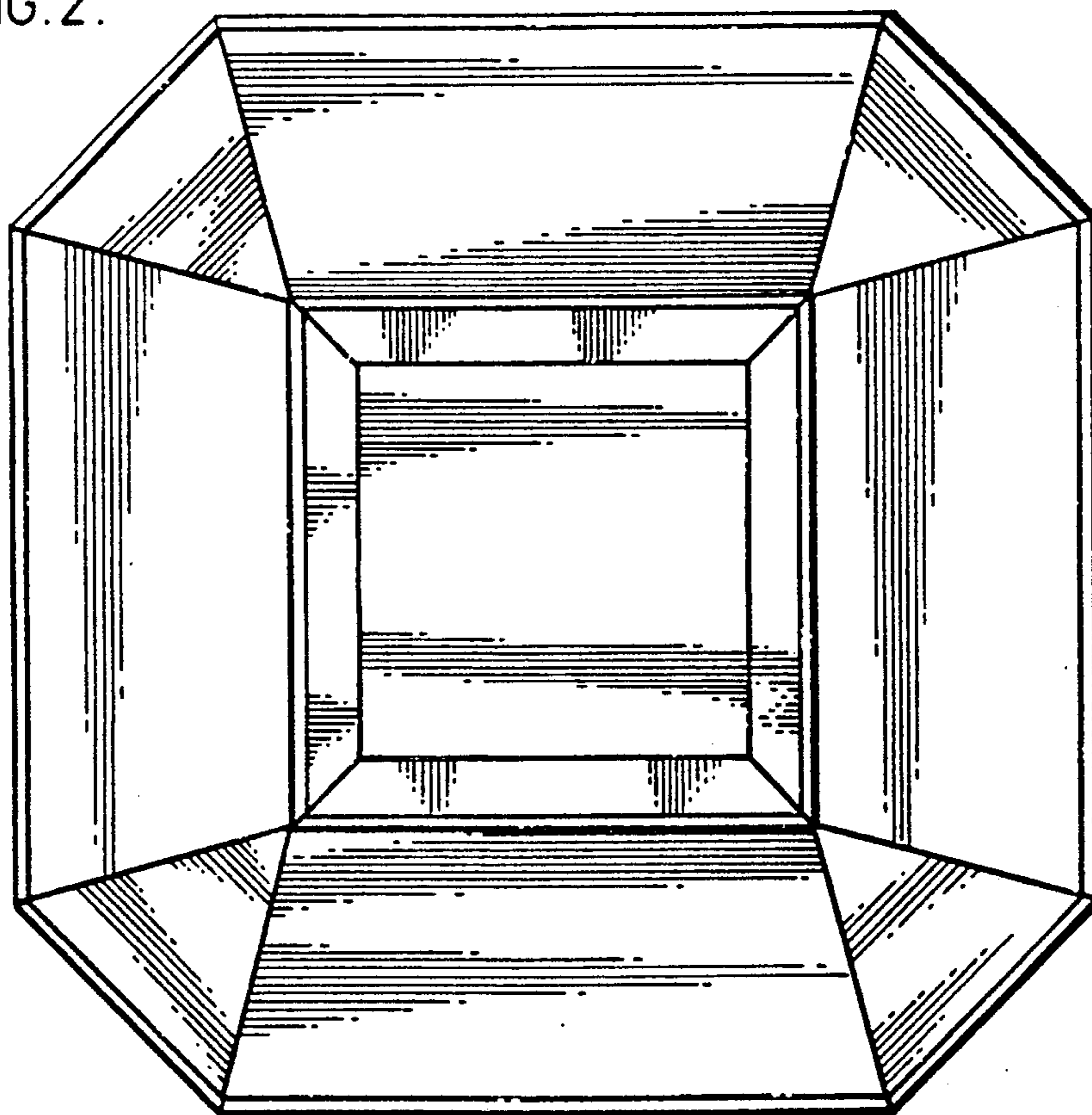


FIG. 3.

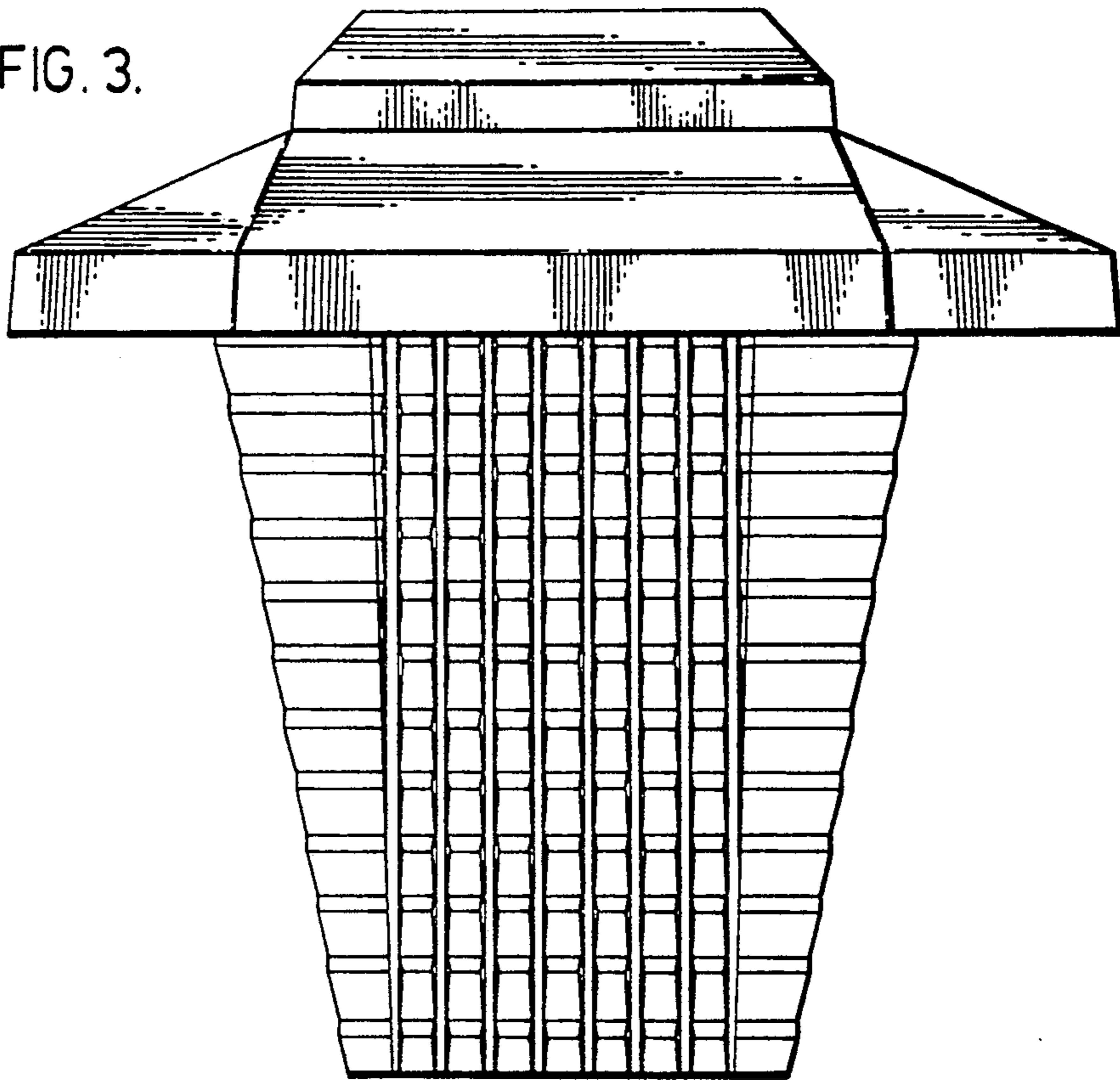


FIG. 4.

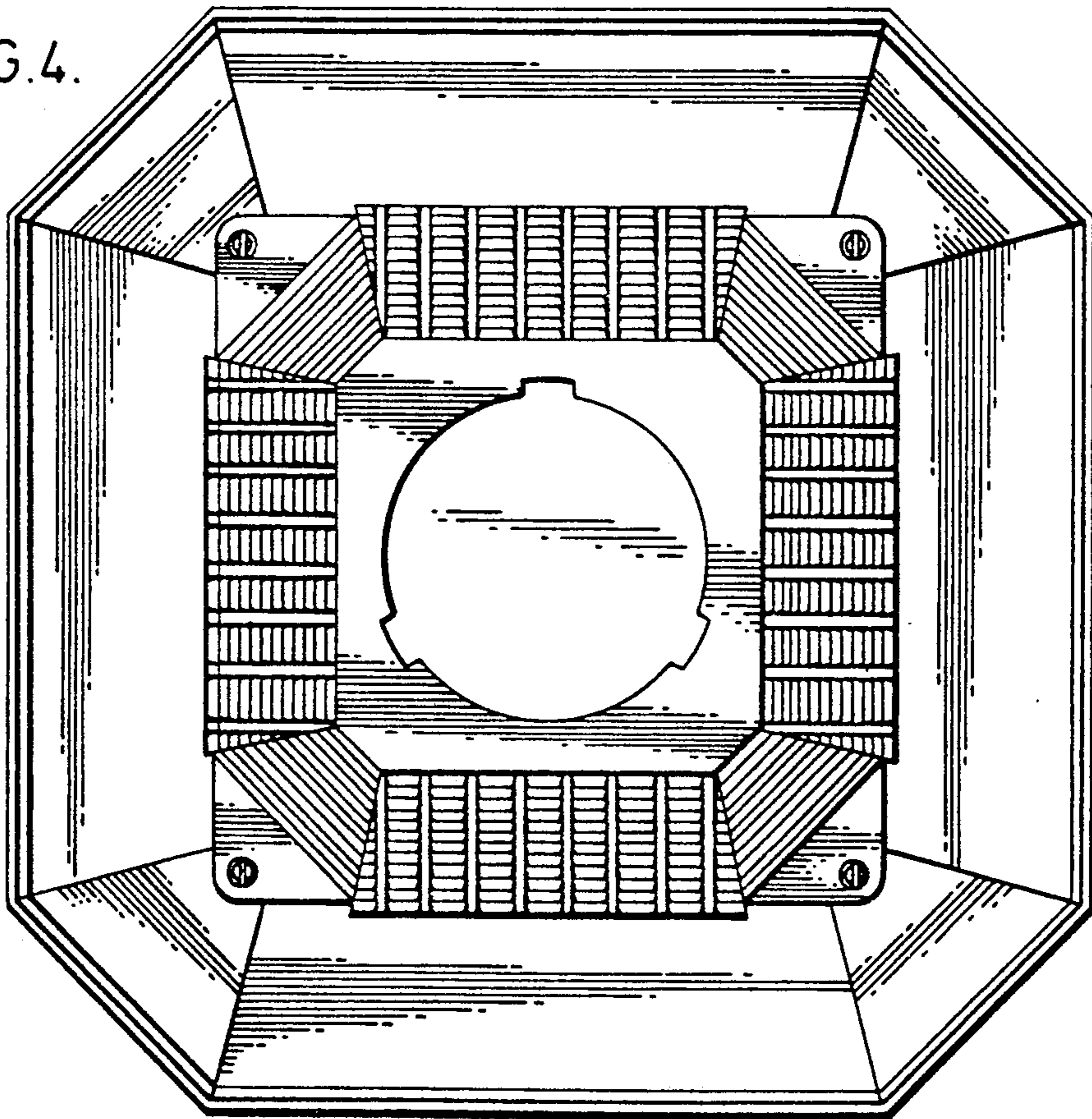


FIG. 5.

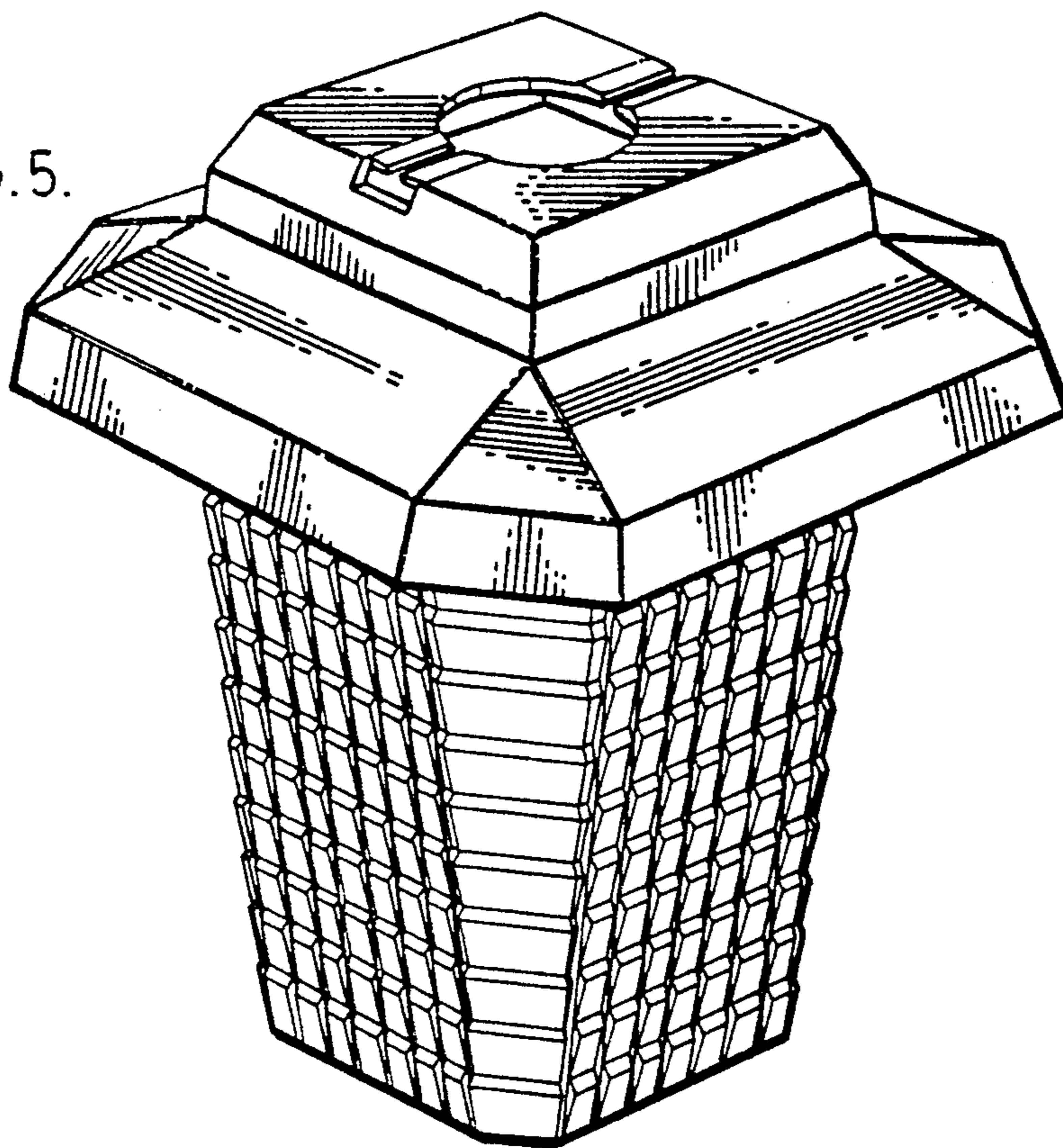


FIG. 6.

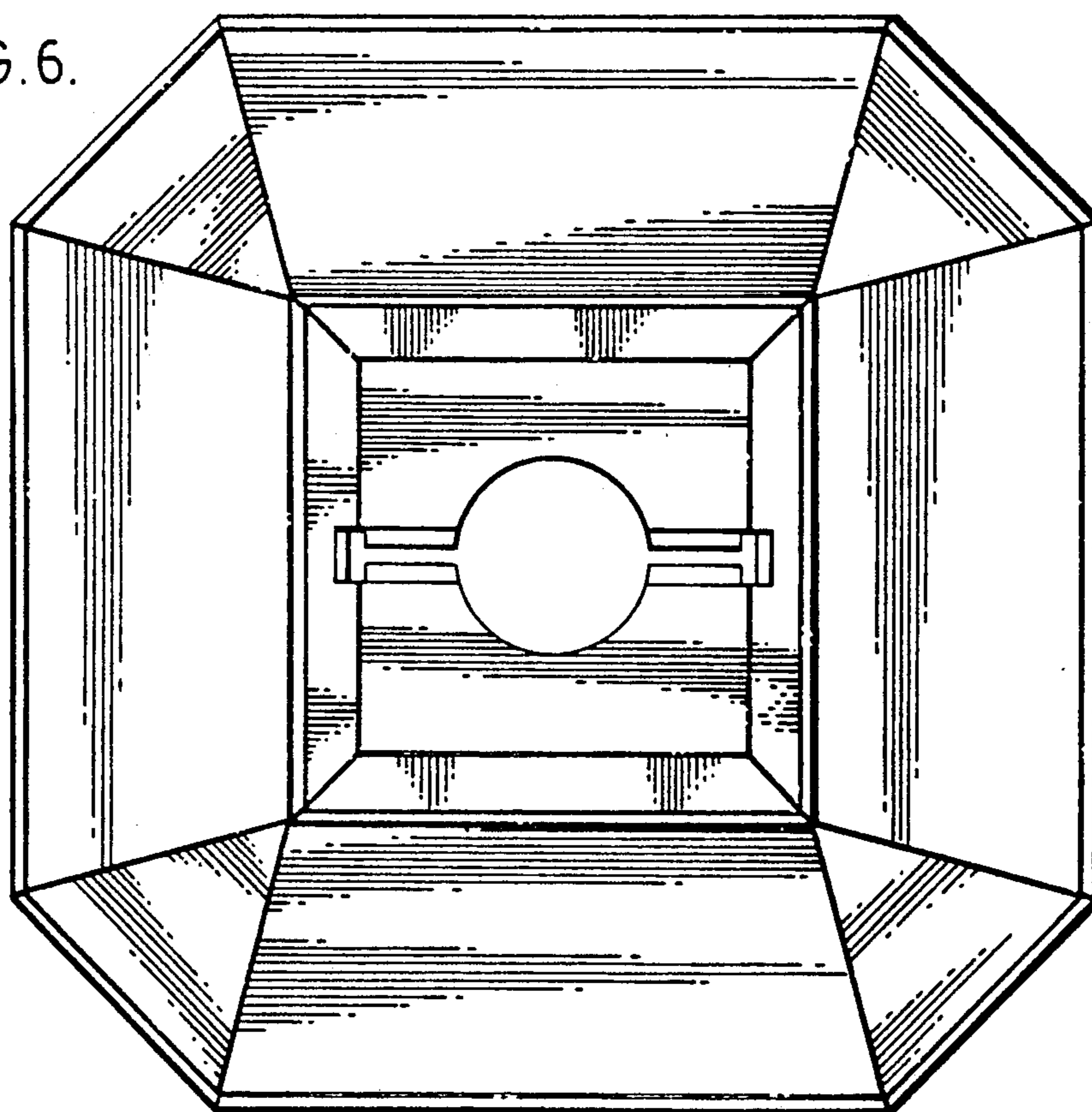


FIG. 7.

