



US00D326718S

United States Patent [19]

[11] Patent Number: **Des. 326,718**

Maxwell et al.

[45] Date of Patent: **** Jun. 2, 1992**

[54] **BLOOD SENSOR CASSETTE**

D. 305,150 12/1989 Pastrone D24/111
4,640,820 2/1987 Cooper .

[75] Inventors: **Thomas P. Maxwell**, Santa Ana;
Charles M. Kienholz, San Dimas;
Thomas G. Hacker, Anaheim, all of
Calif.

Primary Examiner—Stella Reid
Attorney, Agent, or Firm—Gordon L. Peterson

[73] Assignee: **Minnesota Mining And
Manufacturing Co.**, St. Paul, Minn.

[57] **CLAIM**

The ornamental design for a blood sensor cassette, as shown.

[**] Term: **14 Years**

DESCRIPTION

[21] Appl. No.: **456,261**

[22] Filed: **Dec. 26, 1989**

[52] U.S. Cl. **D24/169**

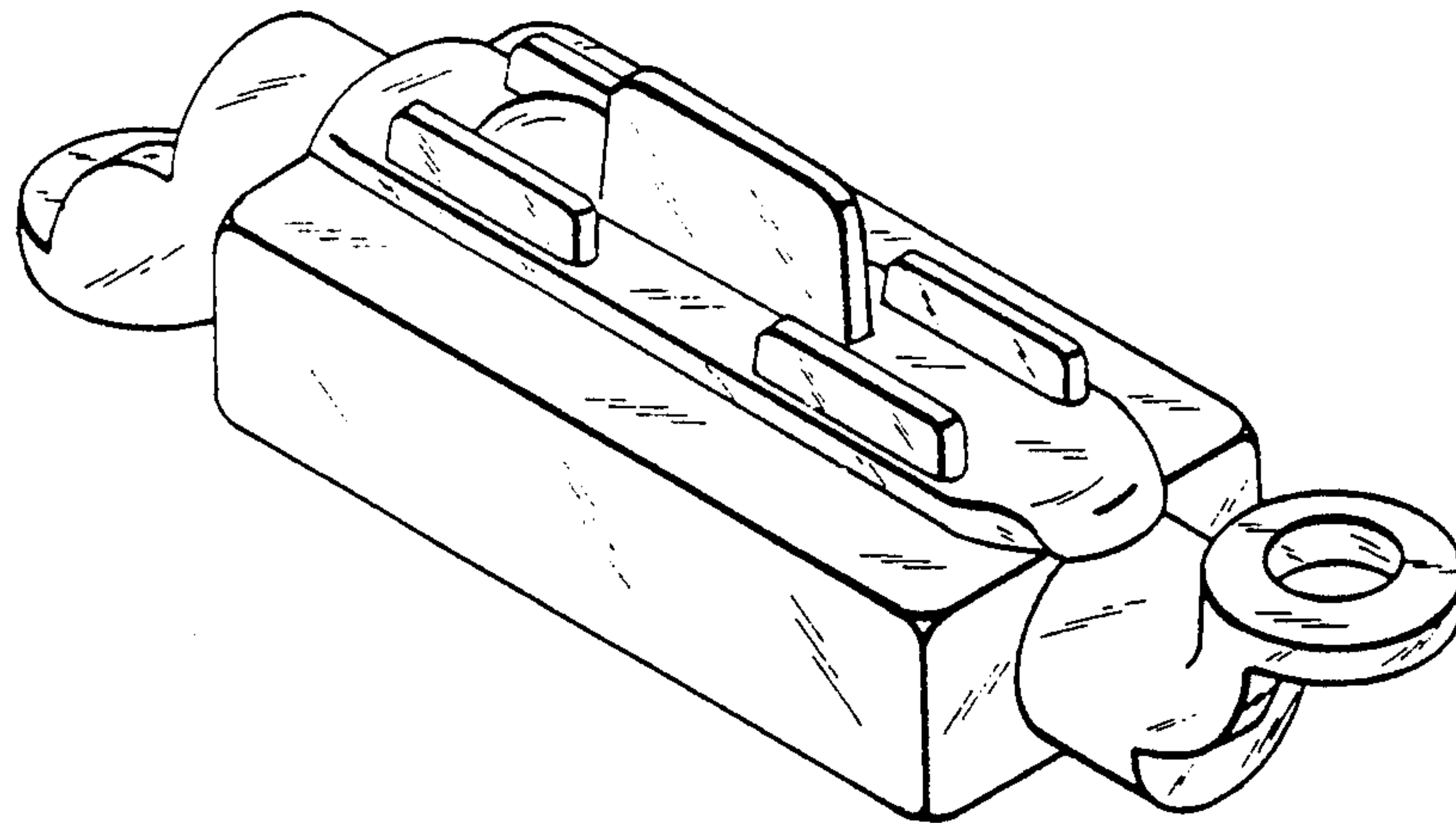
[58] Field of Search D24/111, 129, 169;
128/637, 665, 666. DIG. 13; 210/103, 232

FIG. 1 is a perspective view of a blood sensor cassette, showing our new design;
FIG. 2 is a side elevational view thereof;
FIG. 3 is a top plan view thereof;
FIG. 4 is an end elevational view thereof;
FIG. 5 is a side elevational view thereof, opposite that shown in FIG. 2;
FIG. 6 is a bottom plan view thereof;
FIG. 7 is an end elevational view thereof, opposite that shown in FIG. 4; and,
FIG. 8 is a perspective view thereof.

[56] **References Cited**

U.S. PATENT DOCUMENTS

D. 220,854 6/1971 Lambo et al. D24/129
D. 238,711 2/1976 Hudspith D24/111



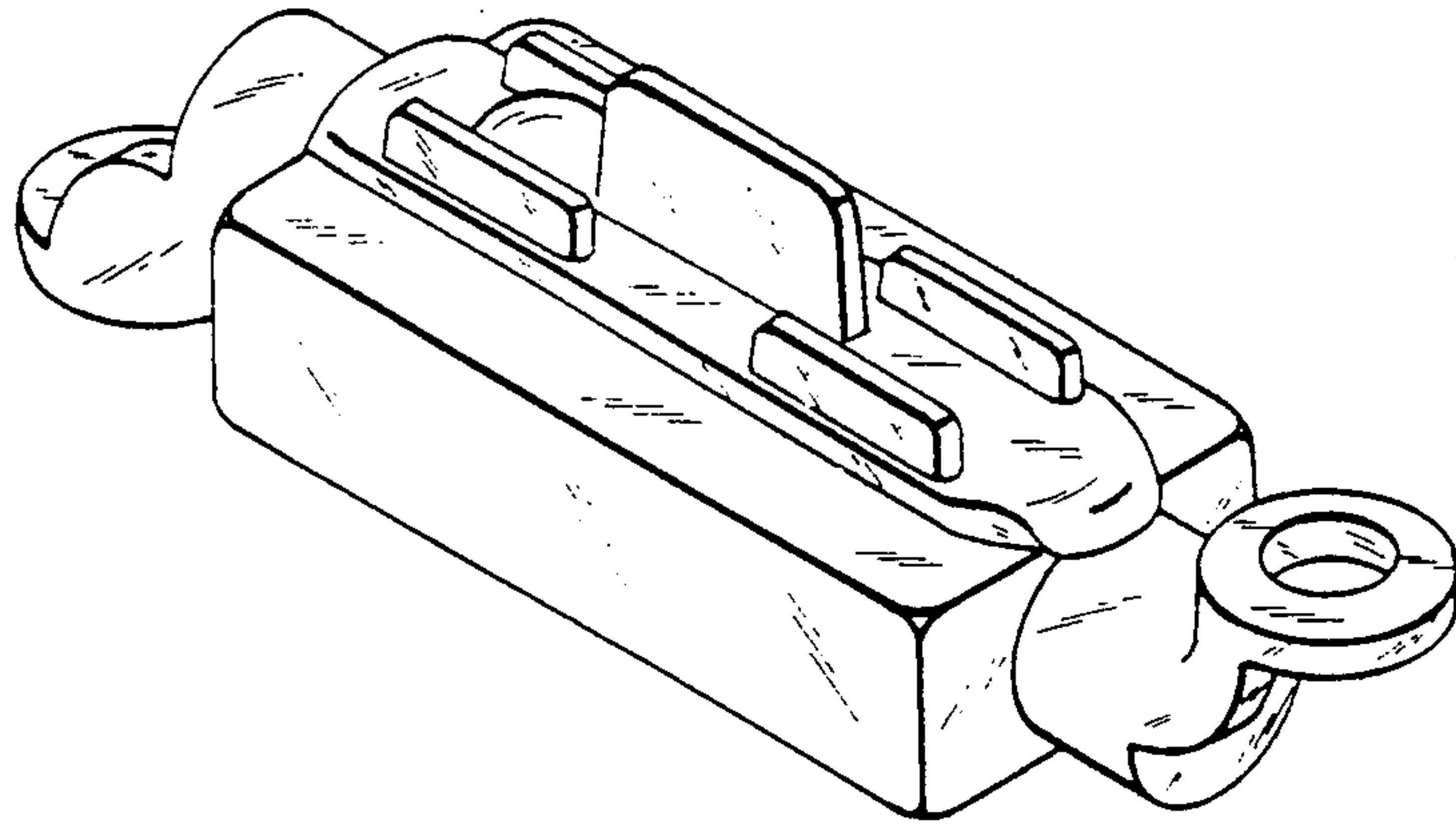


FIG. 1

FIG. 2

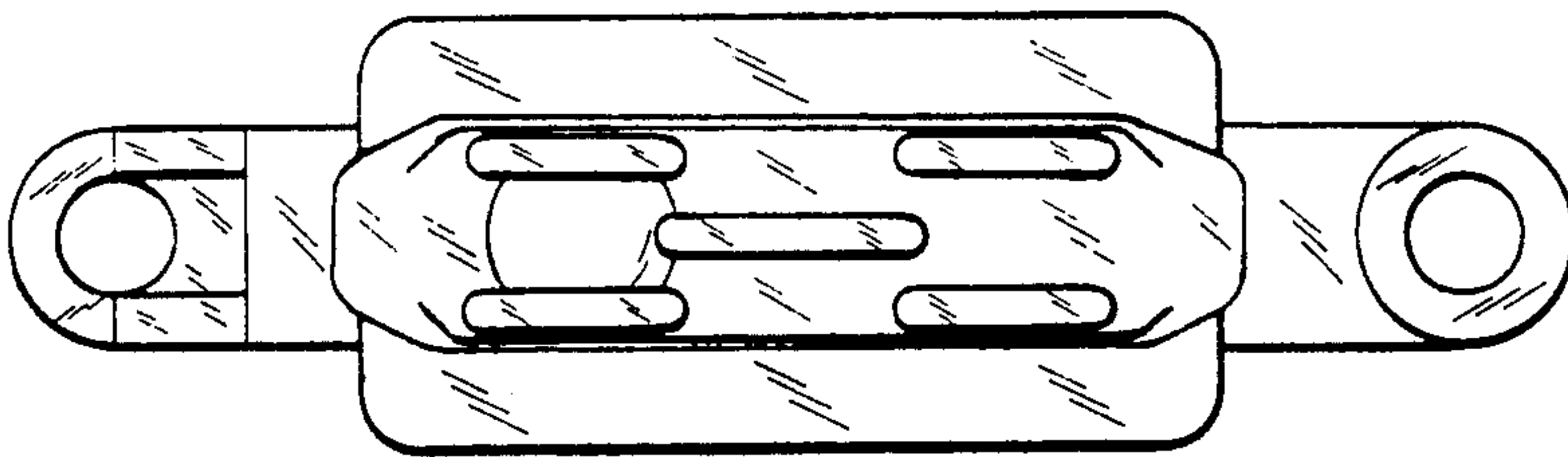
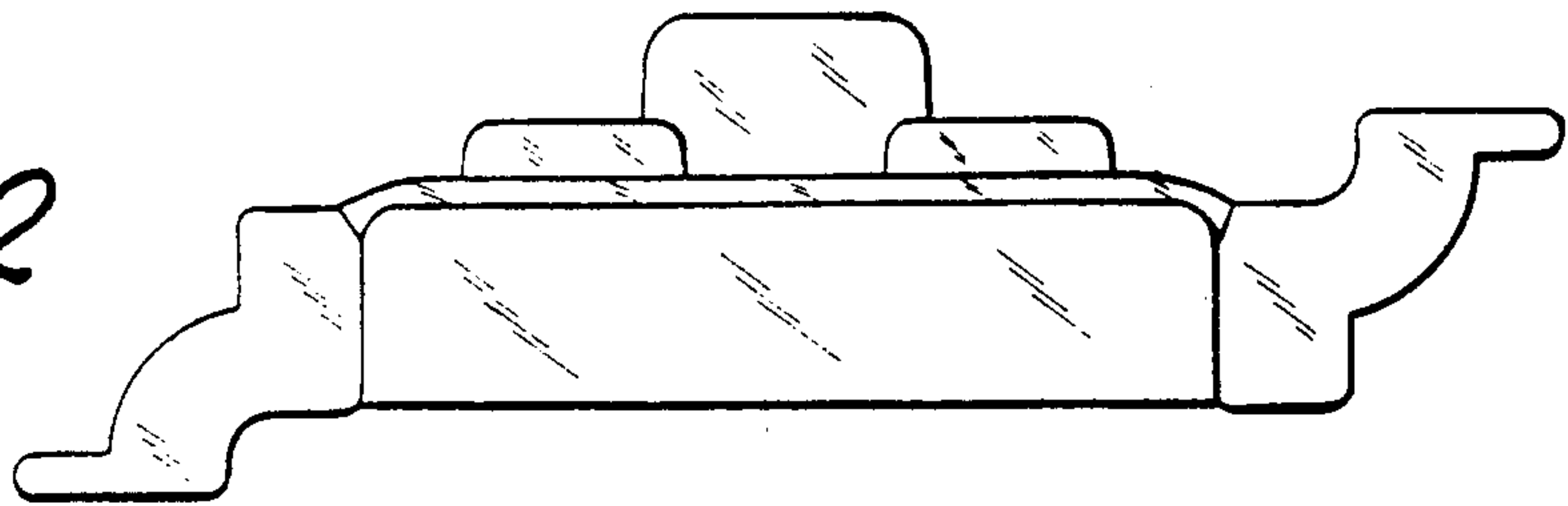
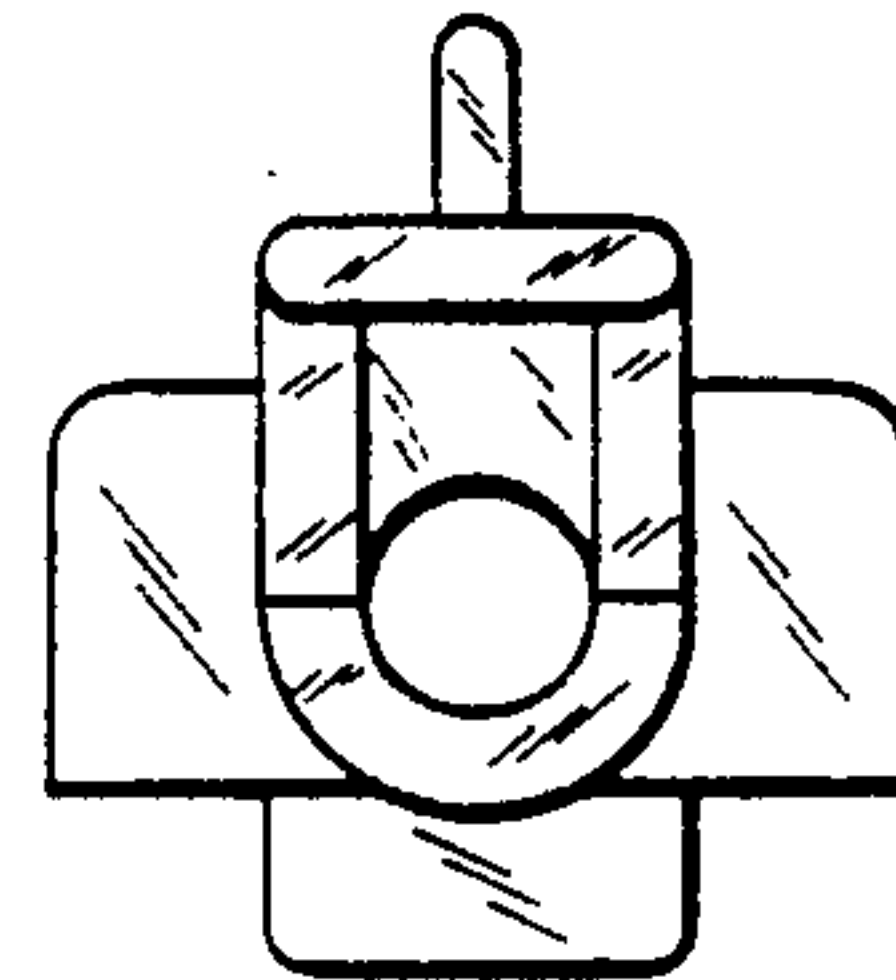


FIG. 3

FIG. 4



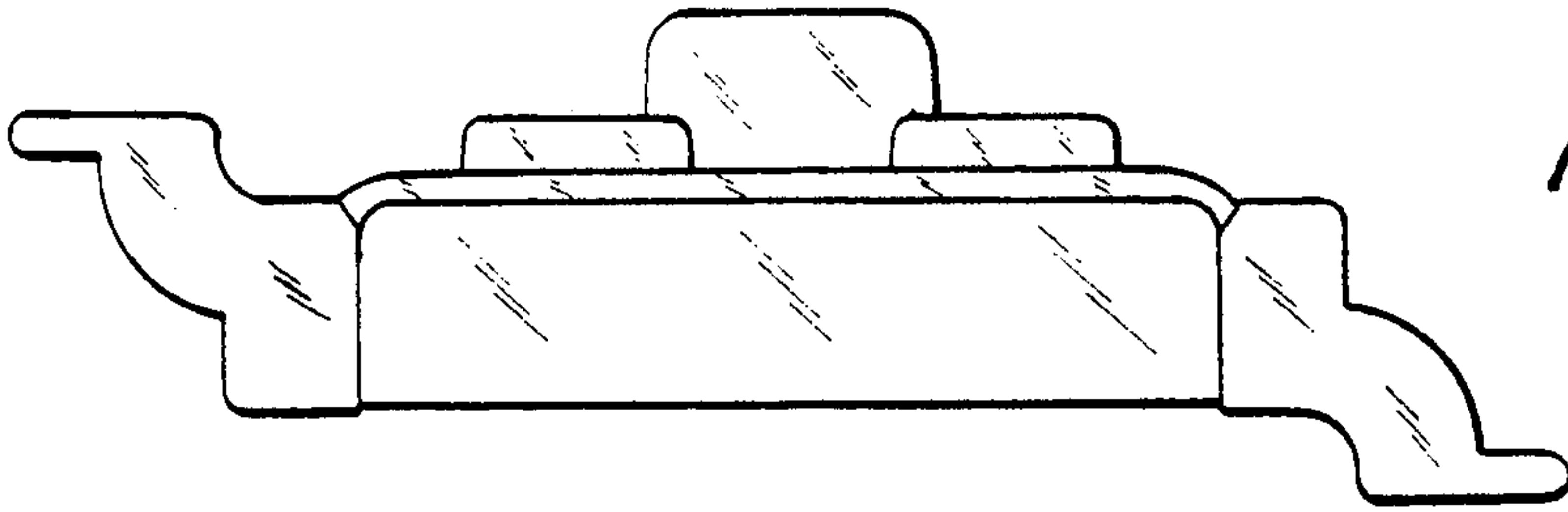


FIG. 5

FIG. 6

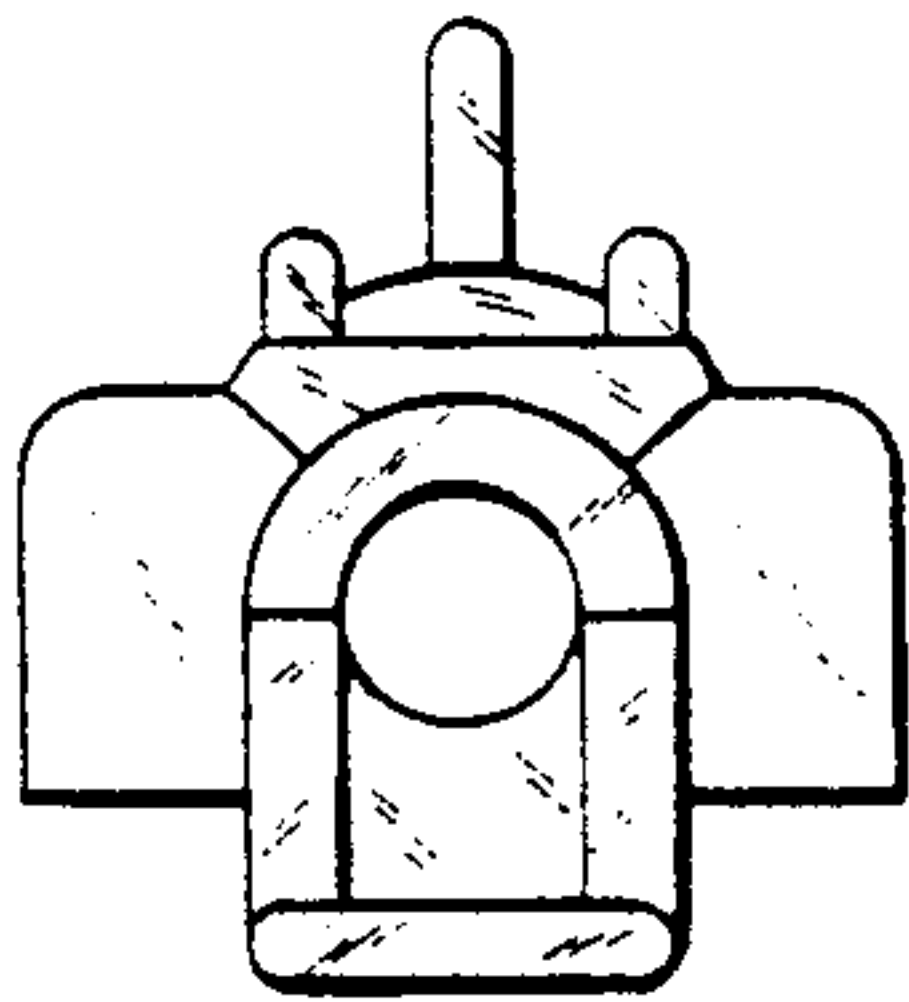
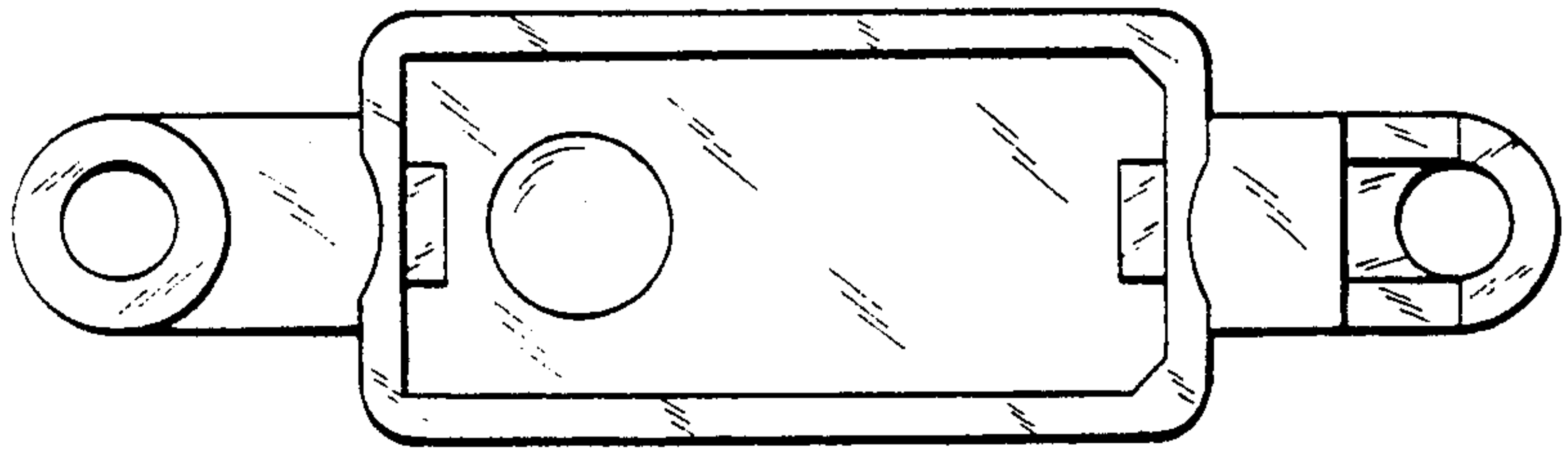


FIG. 7

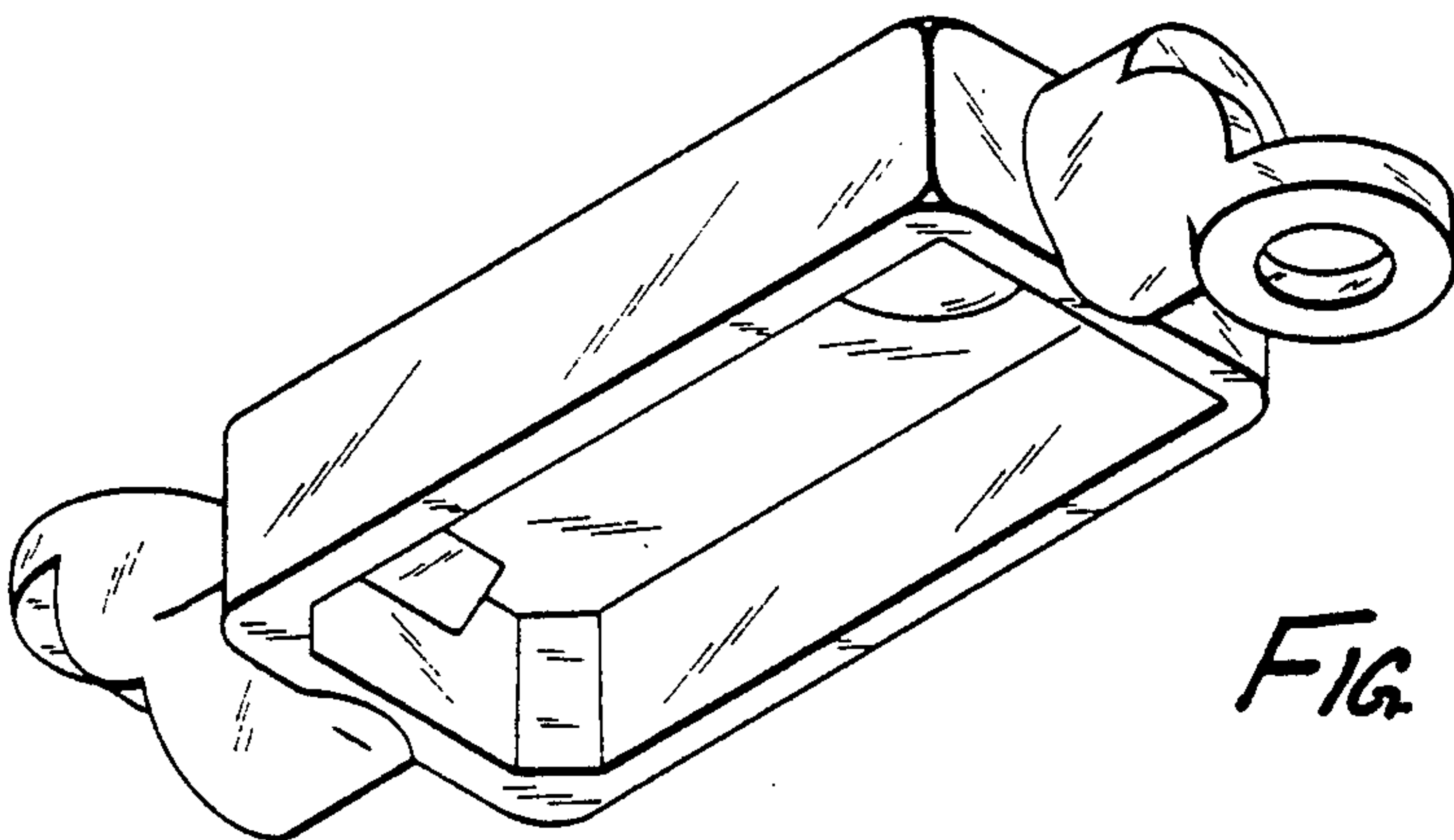


FIG. 8