



US00D326716S

United States Patent [19]

[11] Patent Number: **Des. 326,716**

Mortara

[45] Date of Patent: **** Jun. 2, 1992**

[54] **MEDICAL CABLE**

[75] Inventor: **David W. Mortara, River Hills, Wis.**

[73] Assignee: **Mortara Instrument, Milwaukee, Wis.**

[**] Term: **14 Years**

[21] Appl. No.: **485,280**

[22] Filed: **Feb. 22, 1990**

[52] U.S. Cl. **D24/168**

[58] Field of Search **D24/168, 167; 128/639, 128/640, 696, 783**

3,710,303 1/1973 Gallagher, Jr. .

3,916,877 11/1975 Beckman .

4,051,842 10/1977 Hazel et al. .

4,054,348 10/1977 Stroupe et al. .

4,121,575 10/1978 Mills et al. .

4,155,354 5/1979 Rasmussen .

4,353,372 10/1982 Ayer .

4,539,995 9/1985 Segawa 128/639

4,632,121 12/1986 Johnson et al. 128/639

5,069,213 12/1991 Polczynski 128/665 X

Primary Examiner—Stella Reid
Attorney, Agent, or Firm—Godfrey & Kahn

[57] CLAIM

The ornamental design for medical cable, as shown and described.

[56] **References Cited**
U.S. PATENT DOCUMENTS

D. 232,589 8/1974 Hinnenkamp D24/168

D. 232,590 8/1974 Moore et al. D24/168

2,592,788 4/1952 Branson .

3,253,595 5/1966 Murphy, Jr. et al. .

3,323,514 6/1967 Barrett, Jr. .

3,543,761 12/1970 Bradley .

3,547,104 12/1970 Buffington .

3,631,851 1/1972 Hesen .

3,662,757 5/1972 Blackett .

DESCRIPTION

FIG. 1 is a top plan view of a medical cable, showing my new design;

FIG. 2 is a bottom plan view thereof;

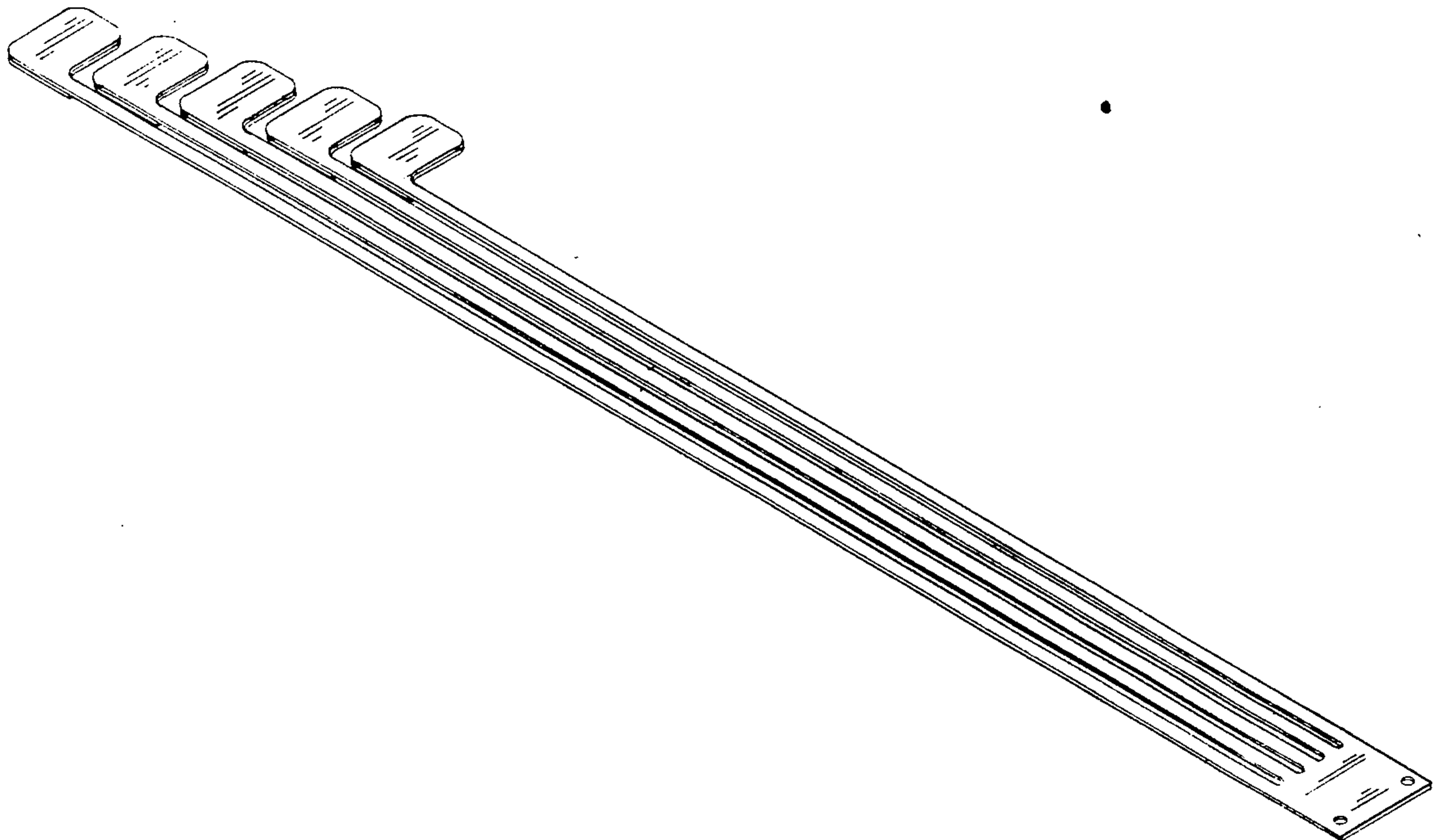
FIG. 3 is a side elevational view thereof;

FIG. 4 is a side elevational view thereof;

FIG. 5 is a left end elevational view thereof;

FIG. 6 is a right end elevational view thereof; and,

FIG. 7 is a top perspective view thereof.



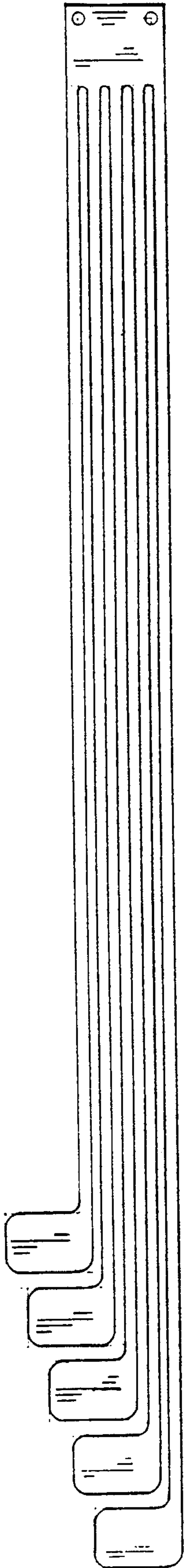


FIG. 1

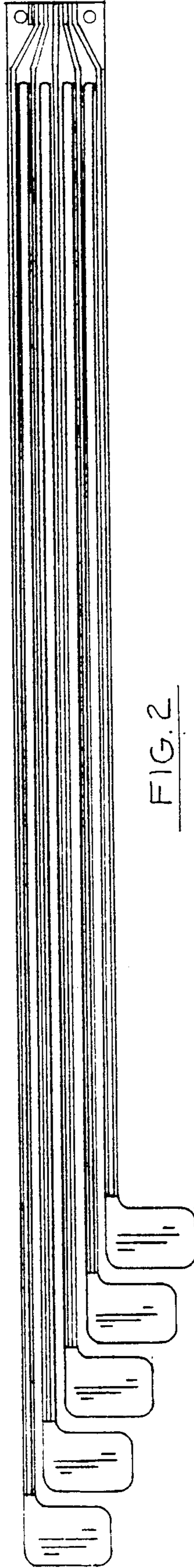


FIG. 2

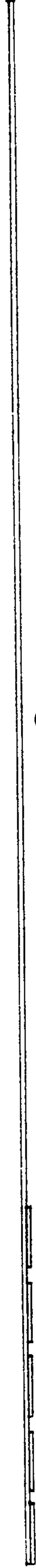


FIG. 3



FIG. 4



FIG. 5



FIG. 6

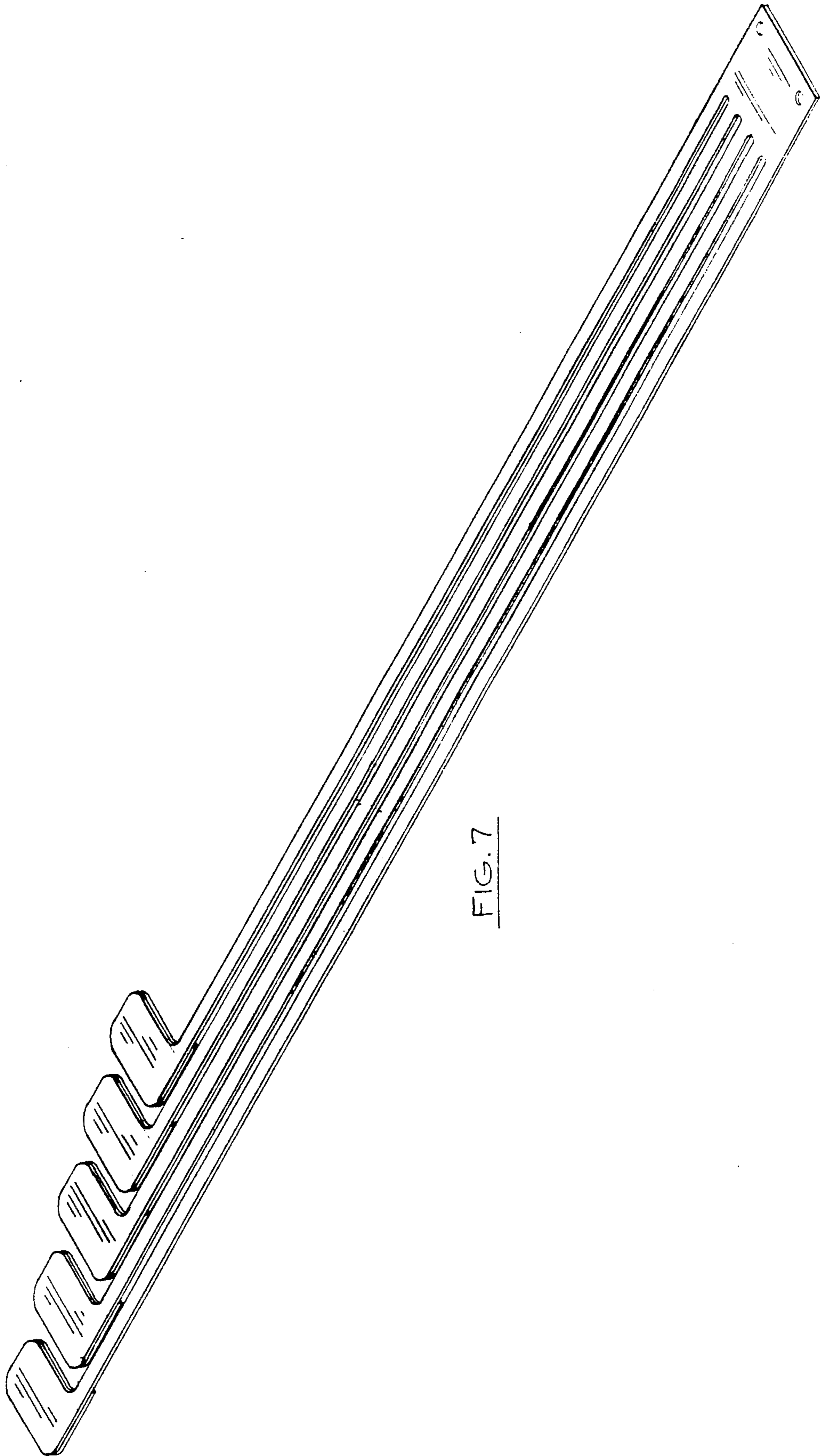


FIG. 7