



US00D326715S

United States Patent [19]

[11] Patent Number: Des. 326,715

Schmidt

[45] Date of Patent: ** Jun. 2, 1992

[54] MEDICAL SENSORS FOR MEASURING OXYGEN SATURATION OR THE LIKE

DESCRIPTION

[75] Inventor: Michael Schmidt, Boeblingen, Fed. Rep. of Germany

FIG. 1 is a perspective view of a medical sensor for measuring oxygen saturation or the like, showing my new design;

[73] Assignee: Hewlett-Packard Company, Palo Alto, Calif.

FIG. 2 is a front elevational view of FIG. 1;

[**] Term: 14 Years

FIG. 3 is a top elevational view of FIG. 1;

[21] Appl. No.: 340,313

FIG. 4 is a right elevational view of FIG. 1;

[22] Filed: Apr. 18, 1989

FIG. 5 is a left elevational view of FIG. 1;

[52] U.S. Cl. D24/164; D24/129

FIG. 6 is a back elevational view of FIG. 1;

[58] Field of Search D24/17, 164, 129; 128/633, 665

FIG. 7 is a bottom plan view of FIG. 1;

FIG. 8 is a bottom perspective view of FIG. 1;

[56] References Cited

U.S. PATENT DOCUMENTS

4,685,464	8/1987	Goldberger et al.	128/633
4,825,872	5/1989	Tan et al.	128/633
4,825,879	5/1989	Tan et al.	128/633
4,865,038	9/1989	Rich et al.	128/633
4,964,408	10/1990	Hink et al.	128/633

FIG. 9 is a perspective view of a second embodiment of a medical sensor for measuring oxygen saturation or the like showing my new design;

FIG. 10 is a front elevational view of FIG. 9;

FIG. 11 is a top plan view of FIG. 9;

FIG. 12 is a right elevational view of FIG. 9;

FIG. 13 is a left elevational view of FIG. 9;

FIG. 14 is a back elevational view of FIG. 9;

FIG. 15 is a bottom plan view of FIG. 9;

FIG. 16 is a perspective view of a third embodiment of a medical sensor for measuring oxygen saturation or the like showing my new design;

FIG. 17 is a front elevational view of FIG. 16;

FIG. 18 is a top plan view of FIG. 16;

FIG. 19 is a right elevational view of FIG. 16;

FIG. 20 is a left elevational view of FIG. 16;

FIG. 21 is a back elevational view of FIG. 16; and,

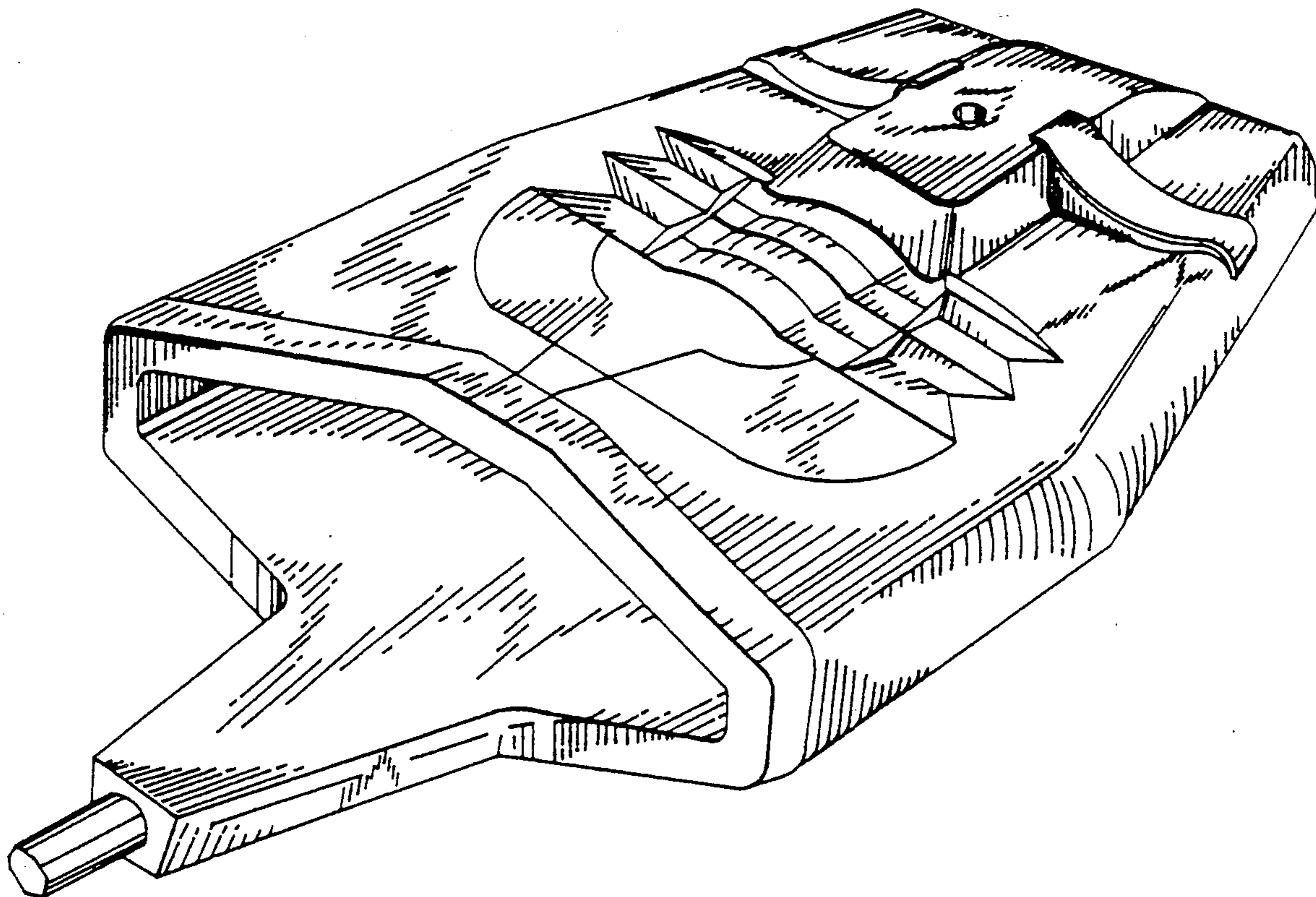
FIG. 22 is a bottom plan view of FIG. 16.

Primary Examiner—Stella Reid

Attorney, Agent, or Firm—Richard F. Schuette

[57] CLAIM

The ornamental design for a medical sensor for measuring oxygen saturation or the like, as shown and described.



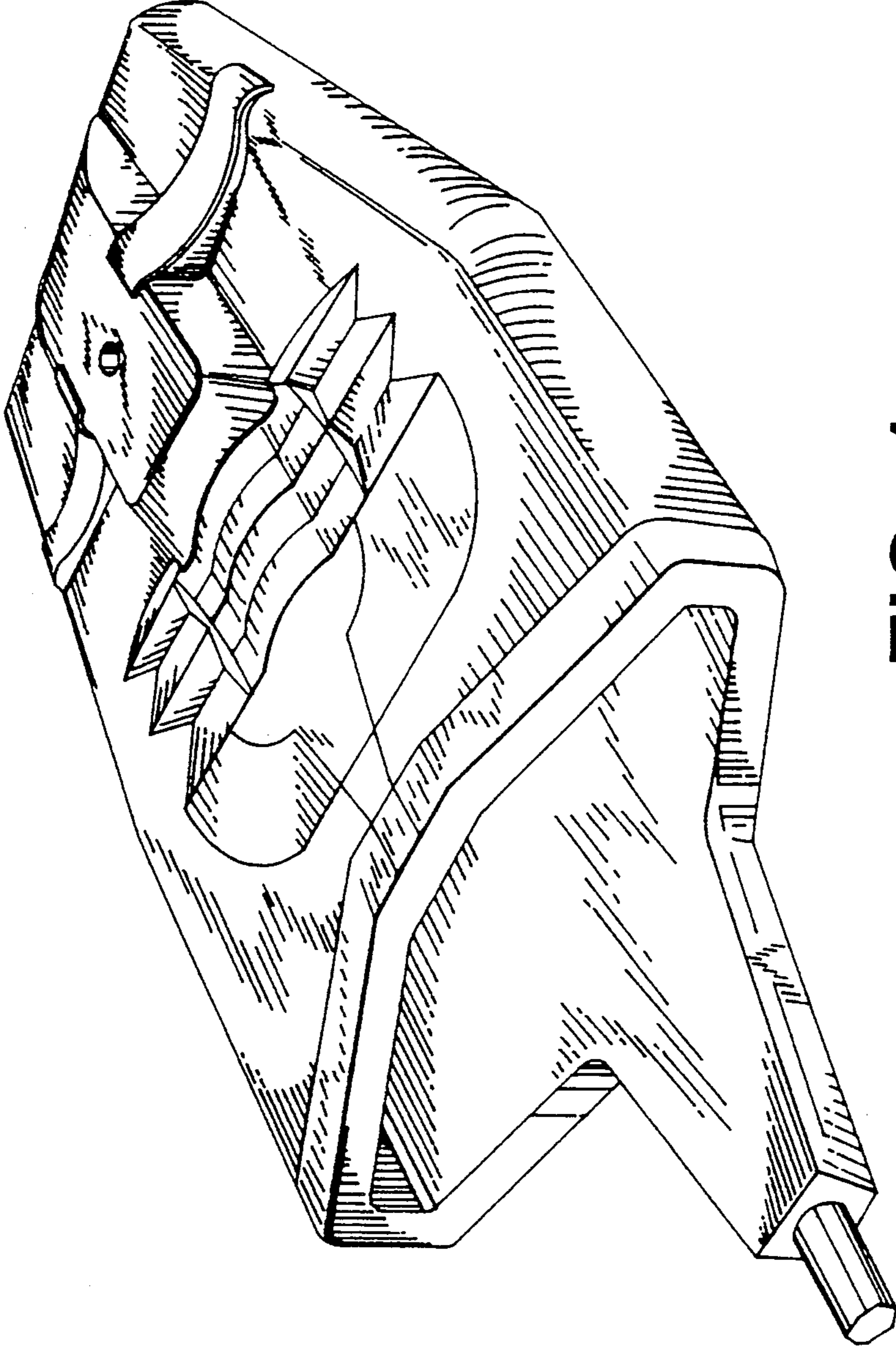


FIG 1

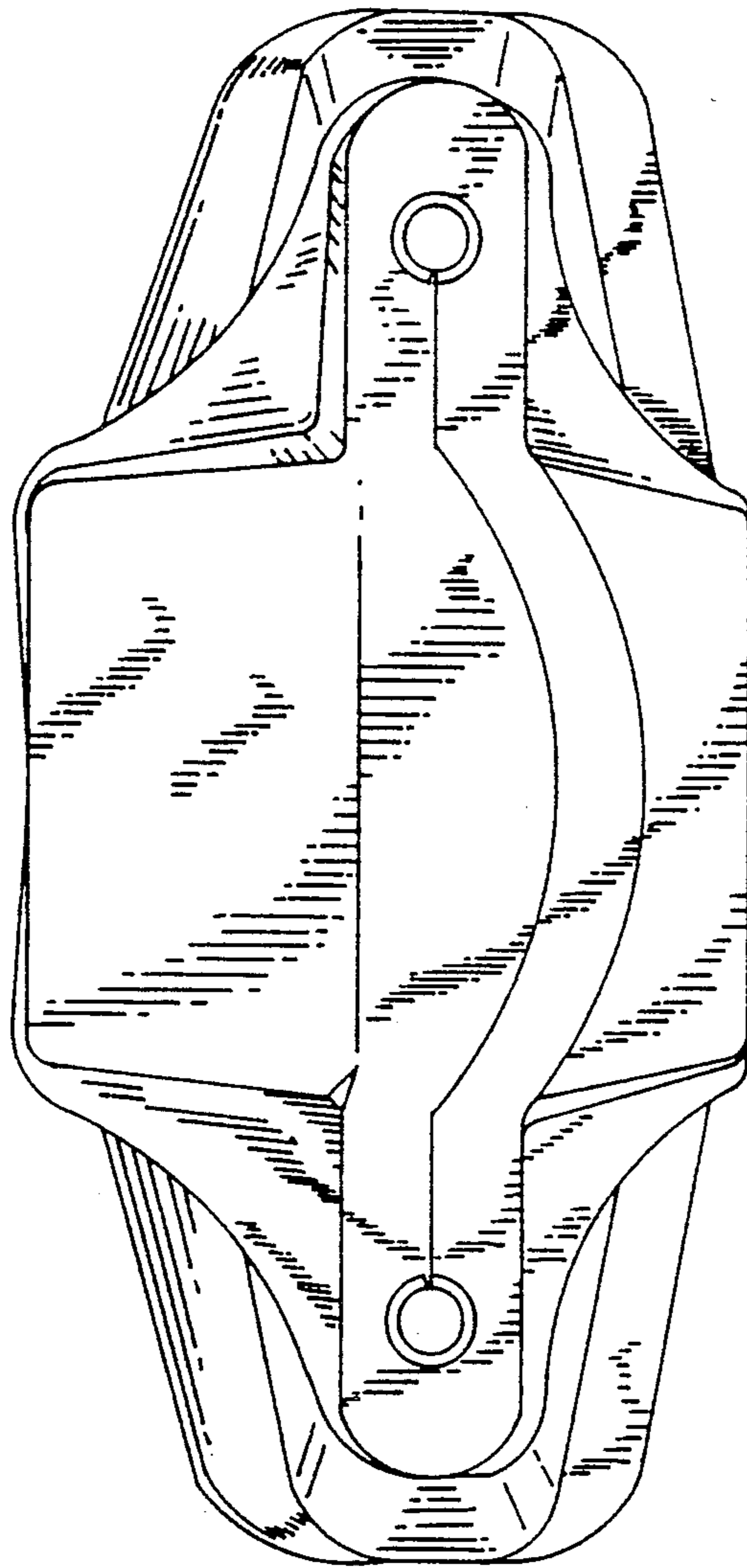


FIG 2

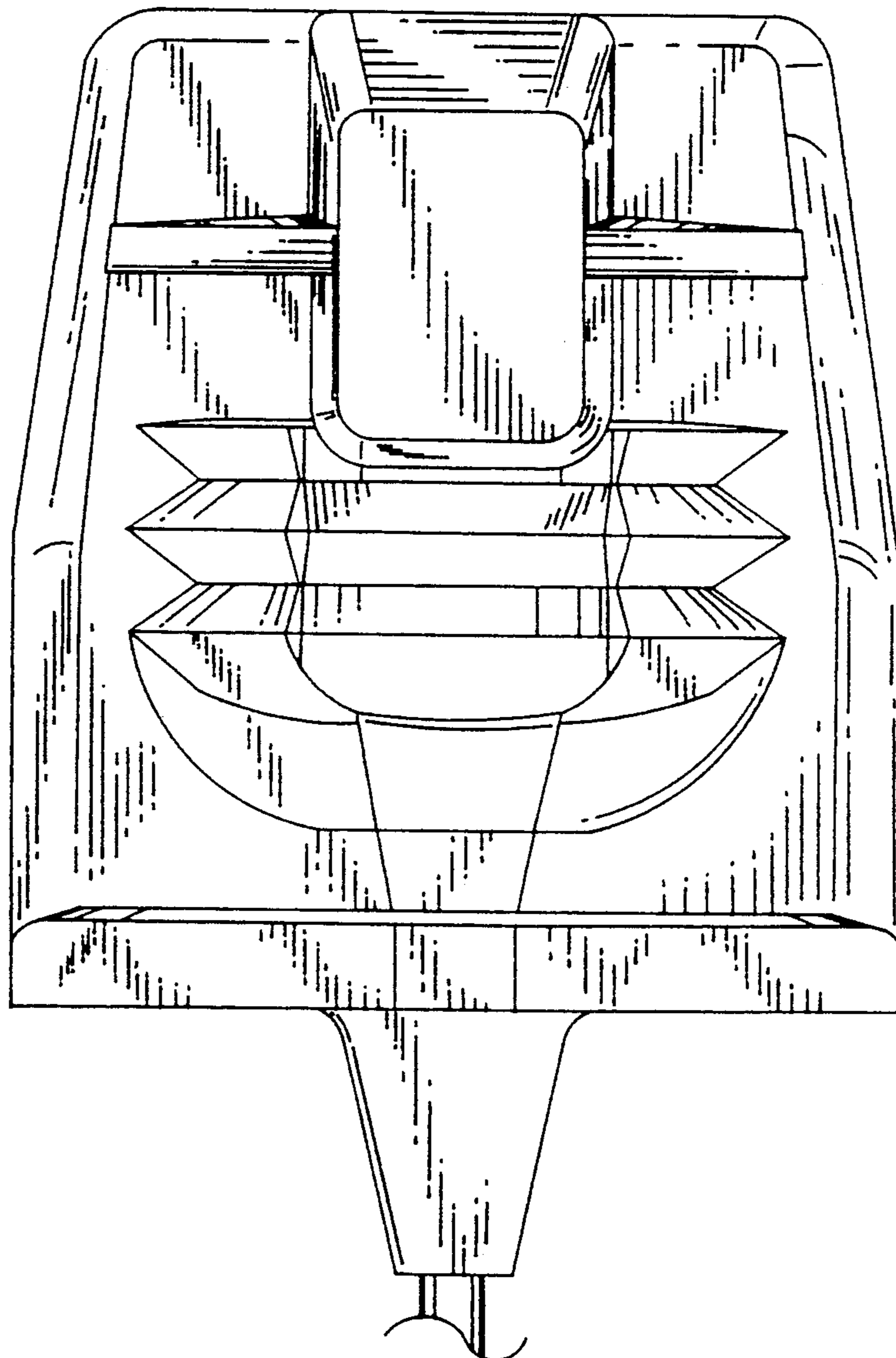


FIG 3

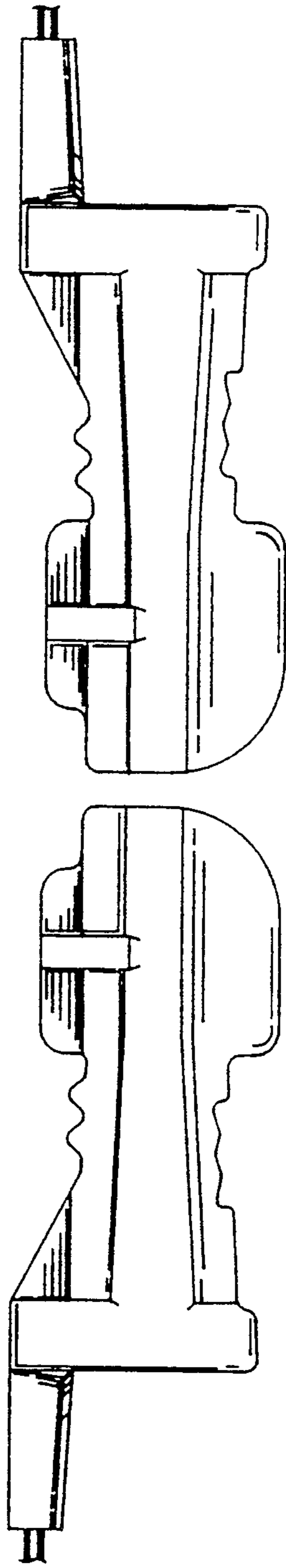


FIG 5

FIG 4

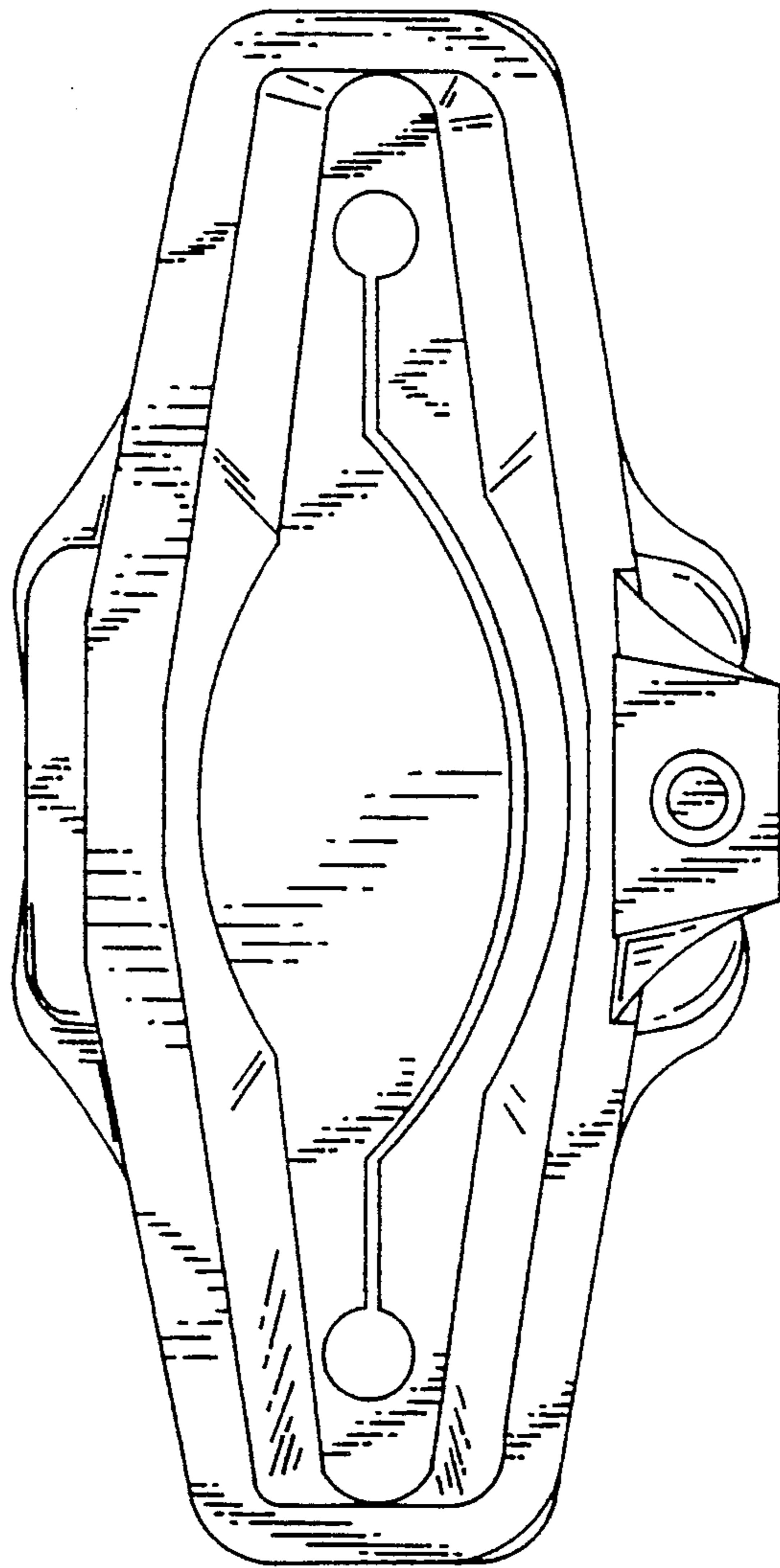


FIG 6

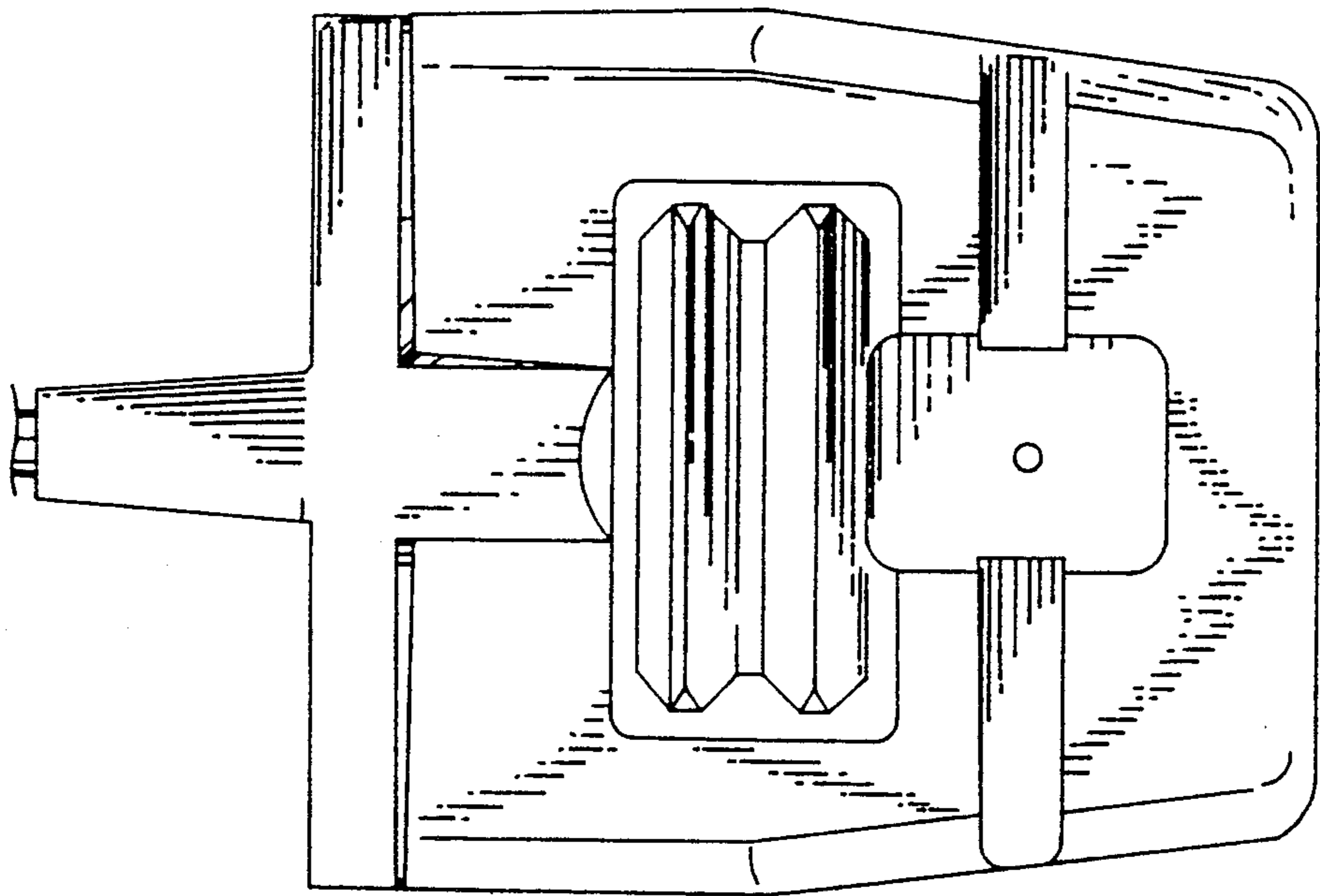


FIG 7

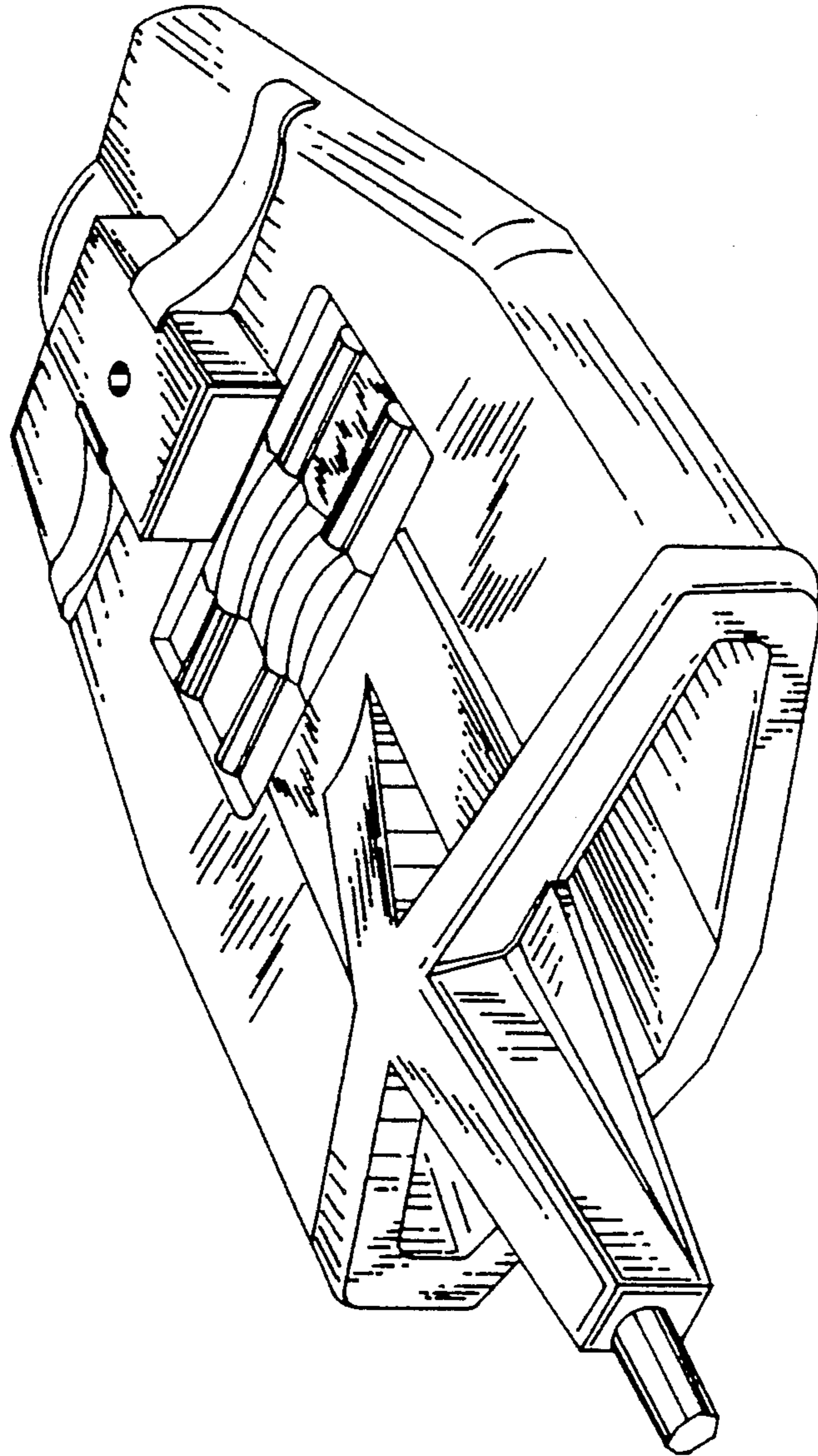


FIG 8

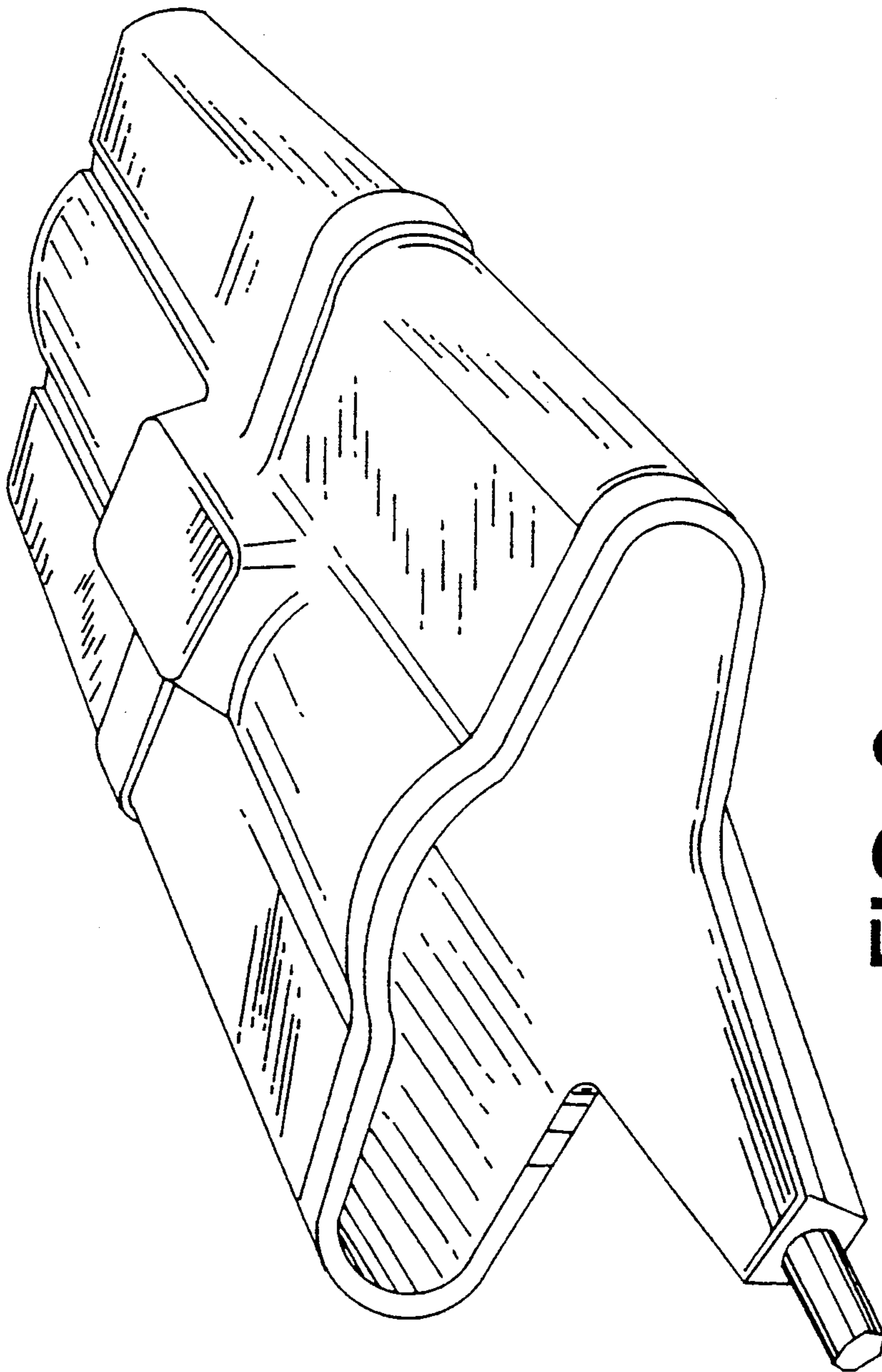


FIG 9

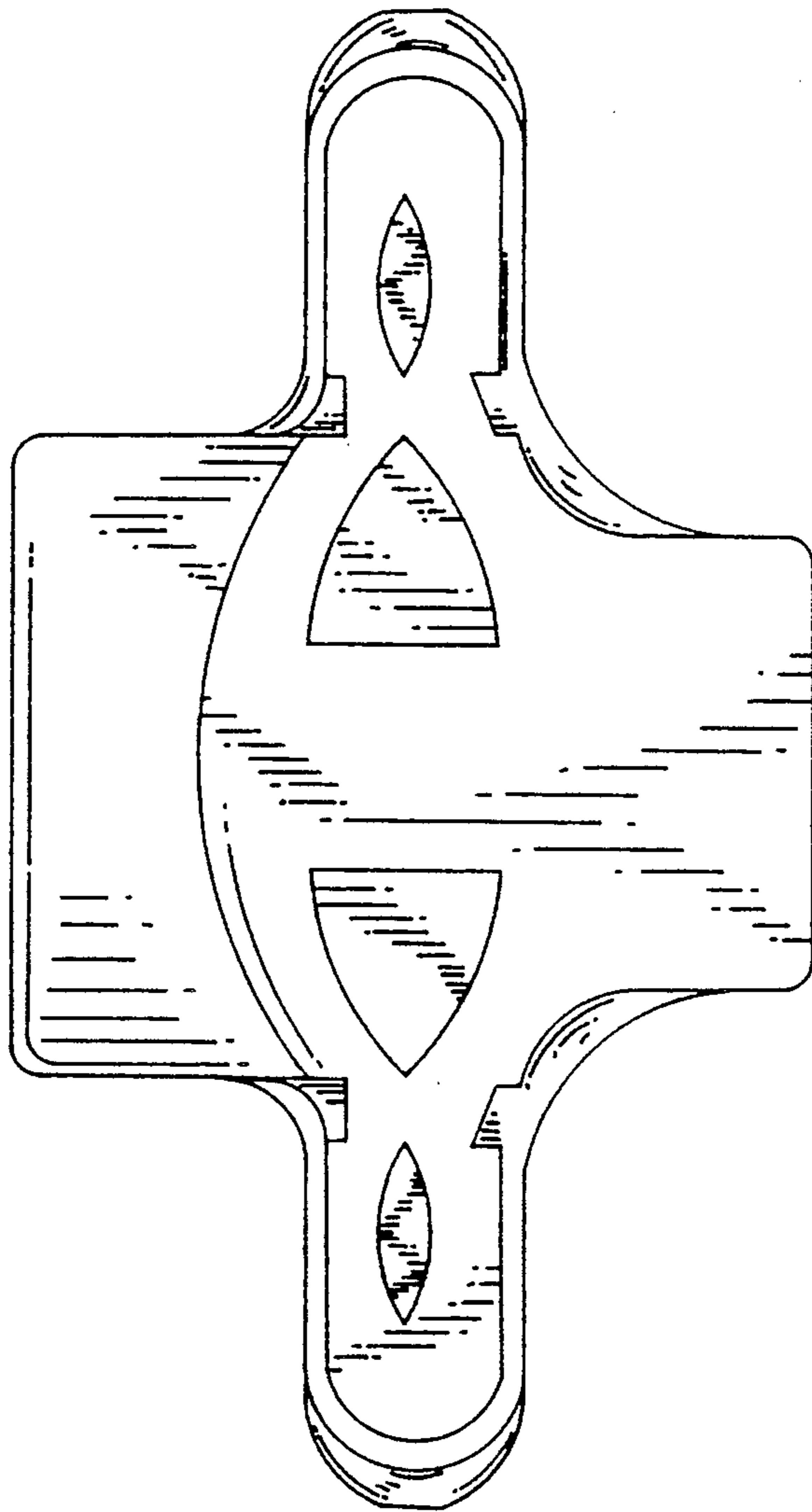


FIG 10

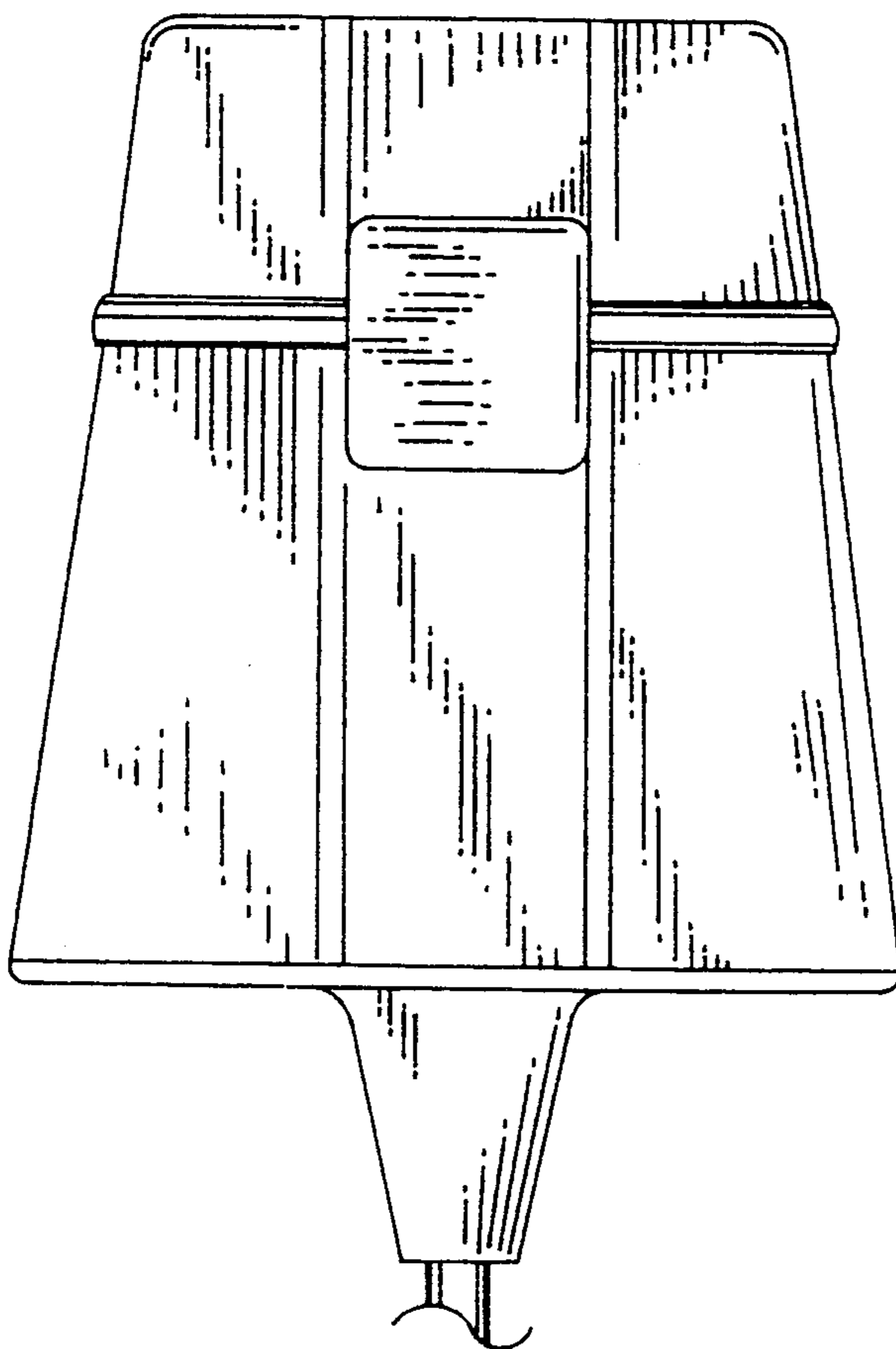


FIG 11

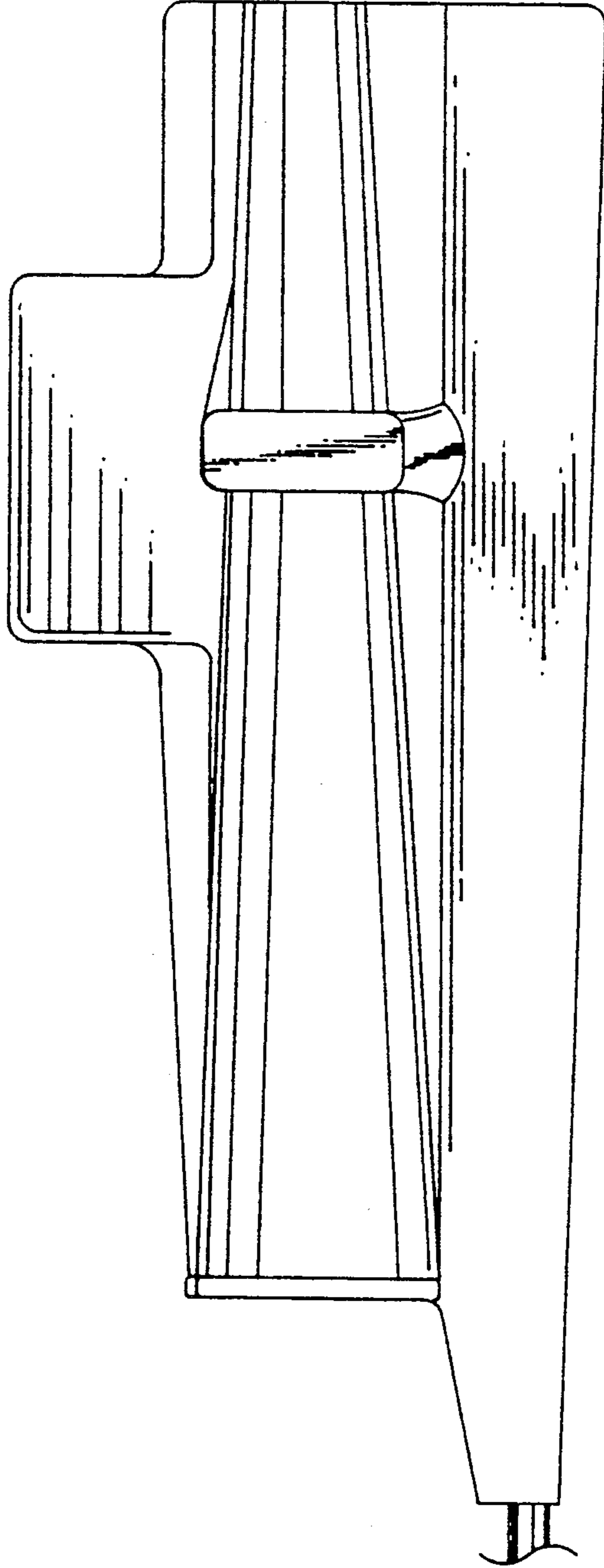


FIG 12

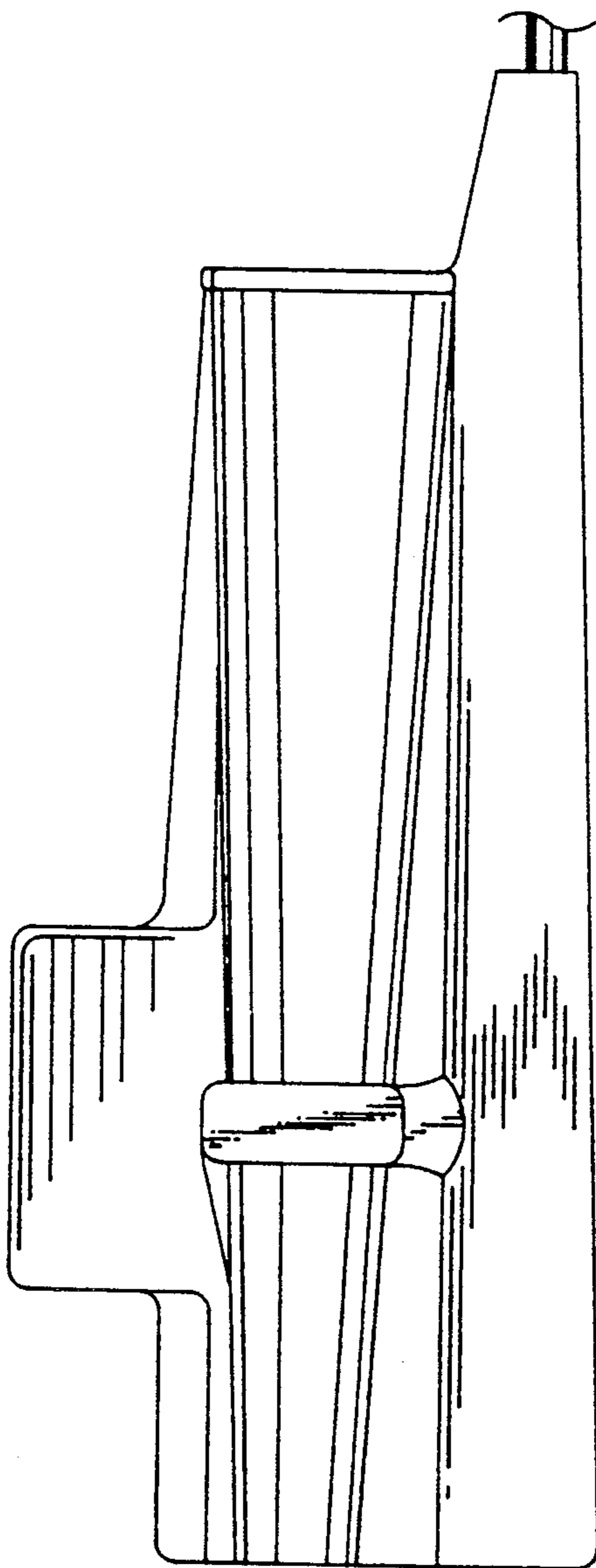


FIG 13

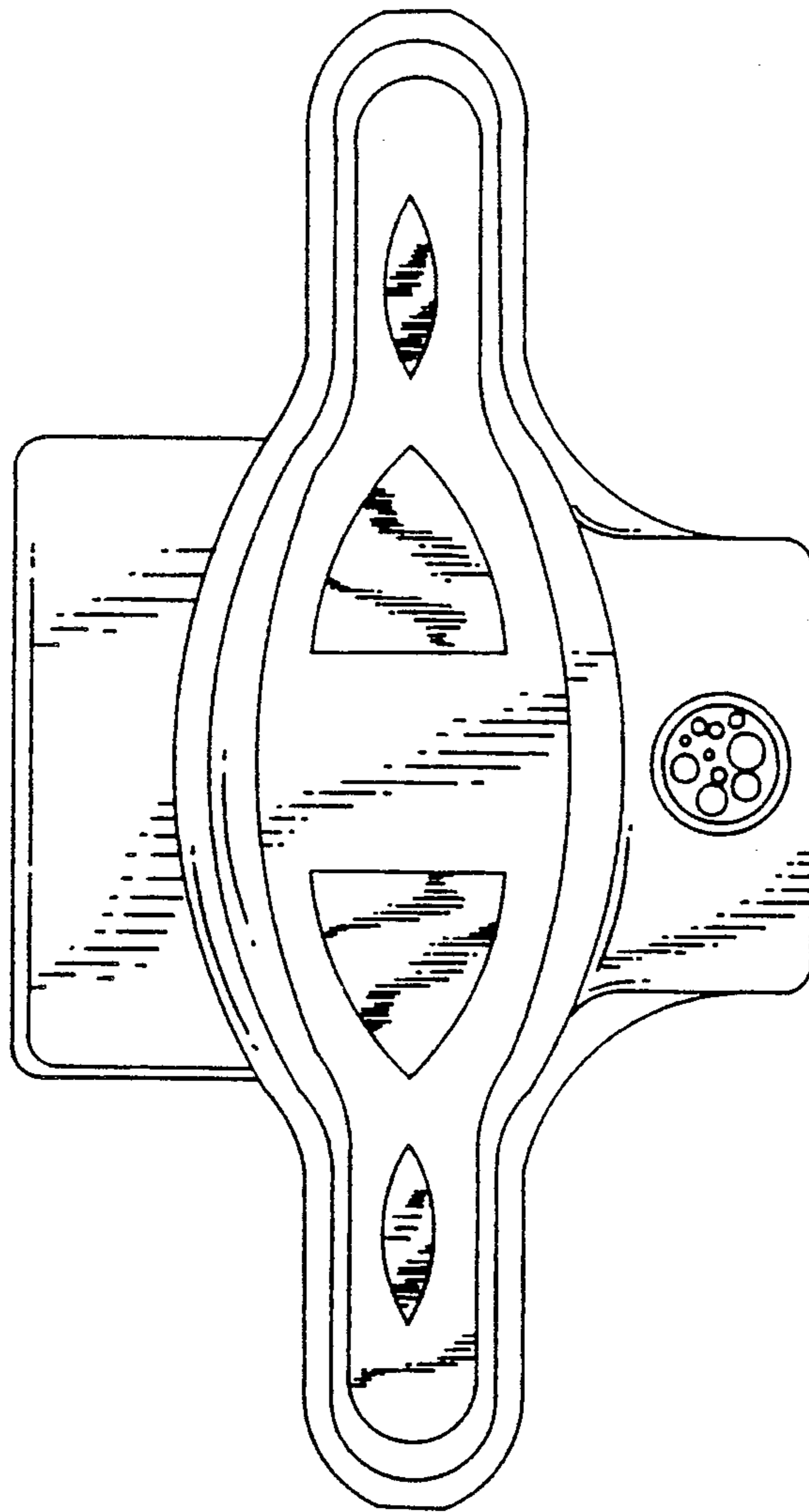


FIG 14

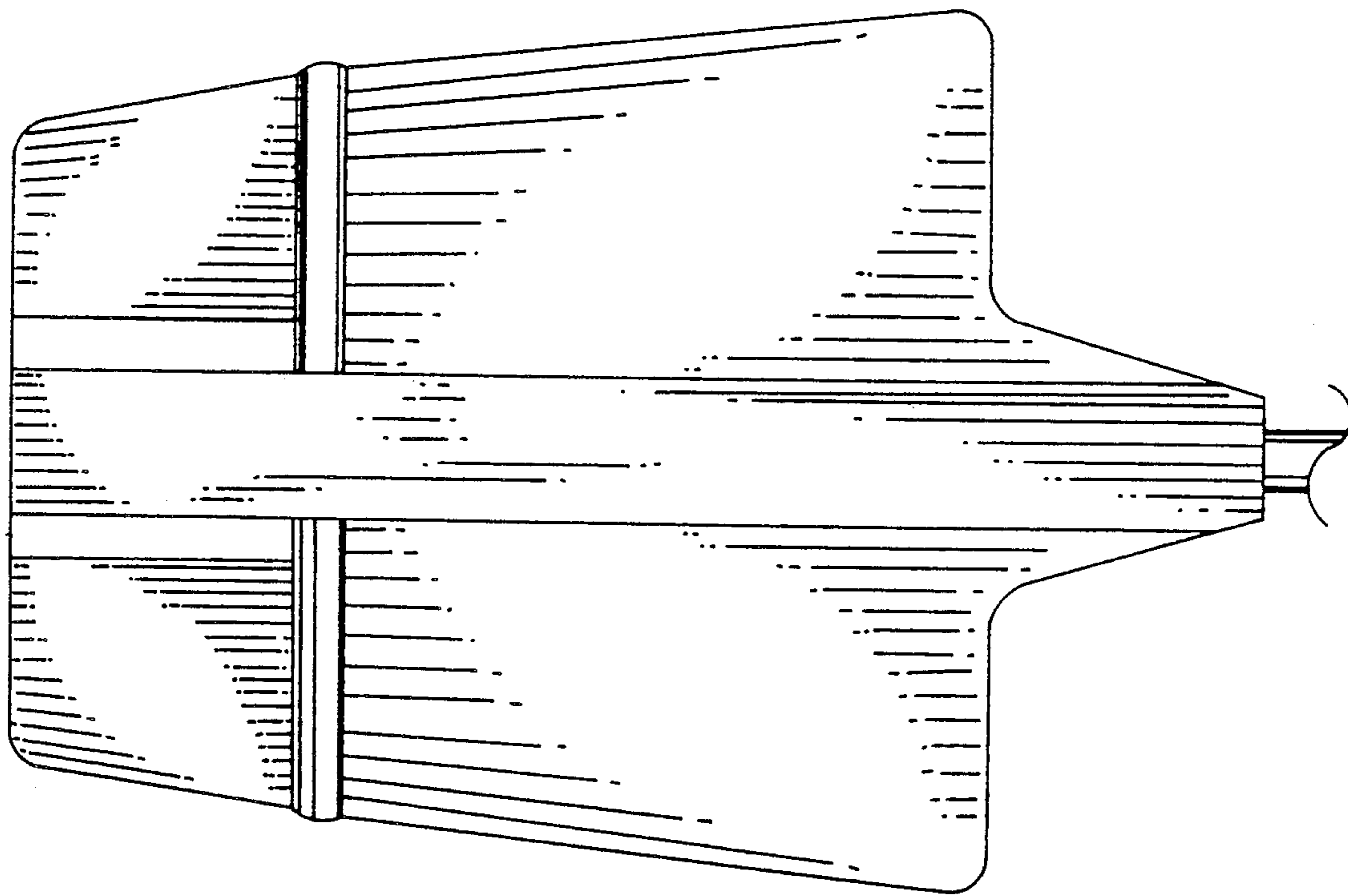


FIG 15

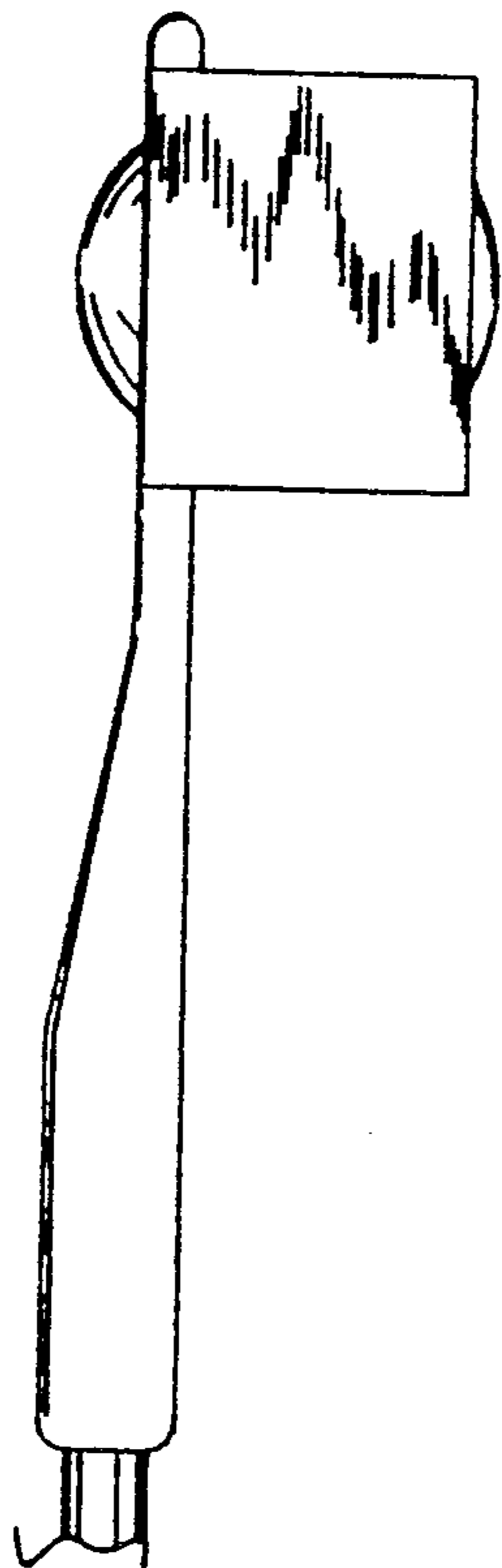


FIG 19

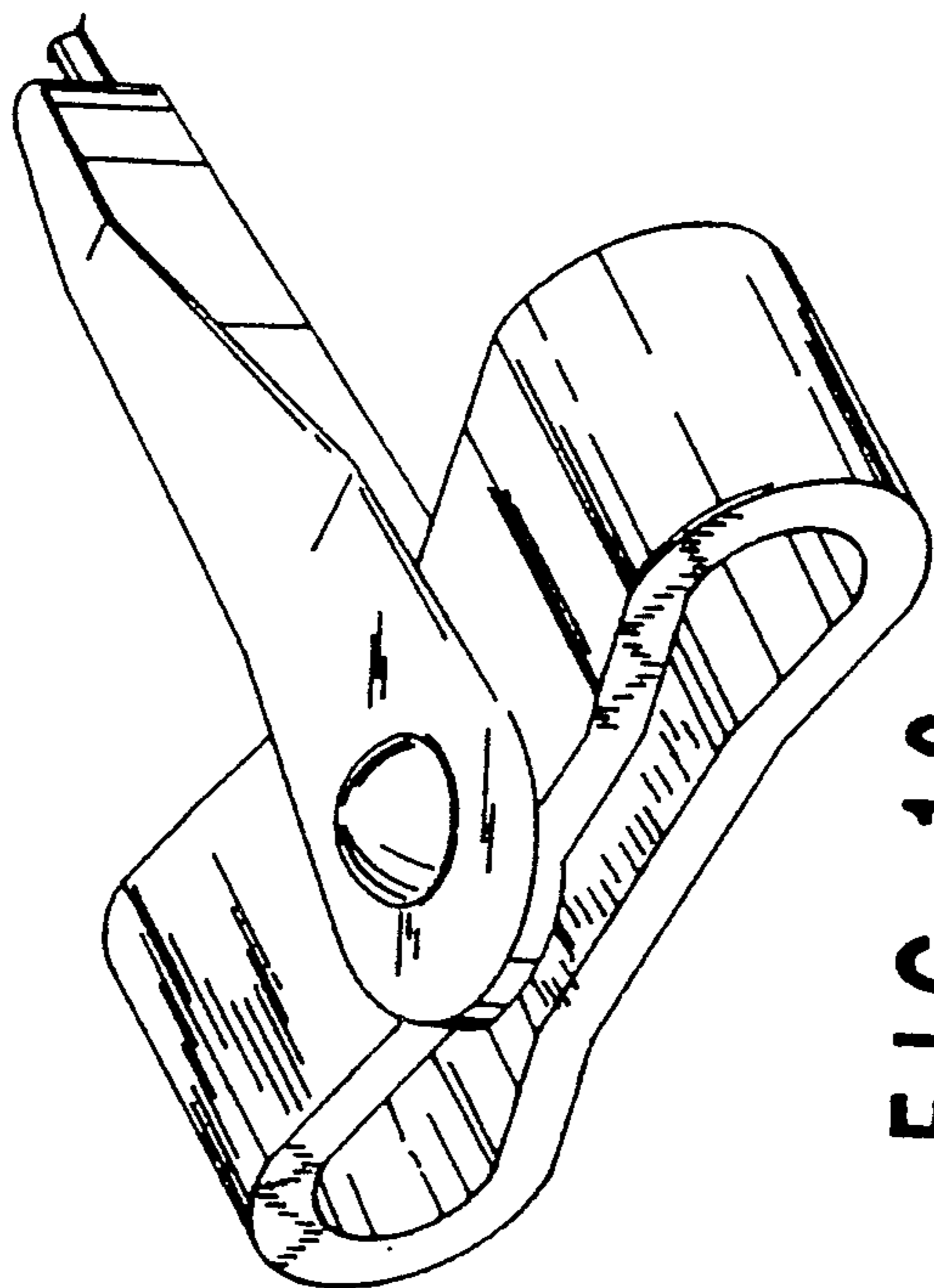


FIG 16

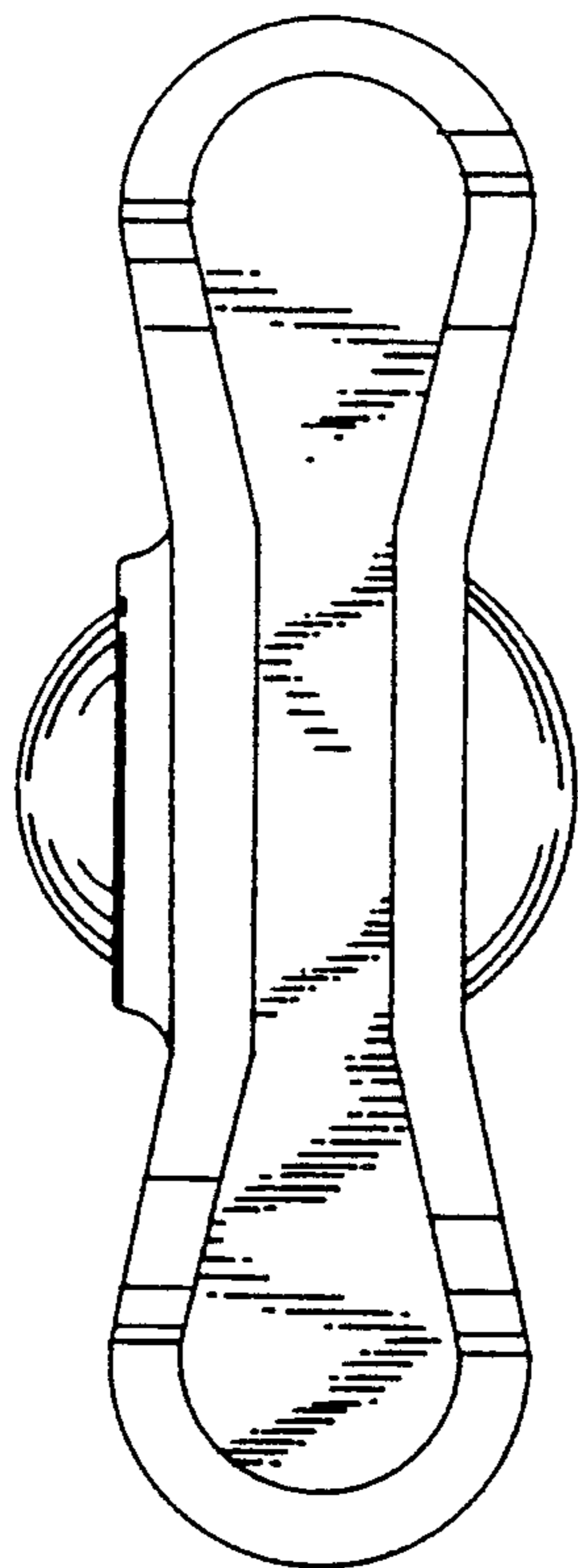


FIG 17

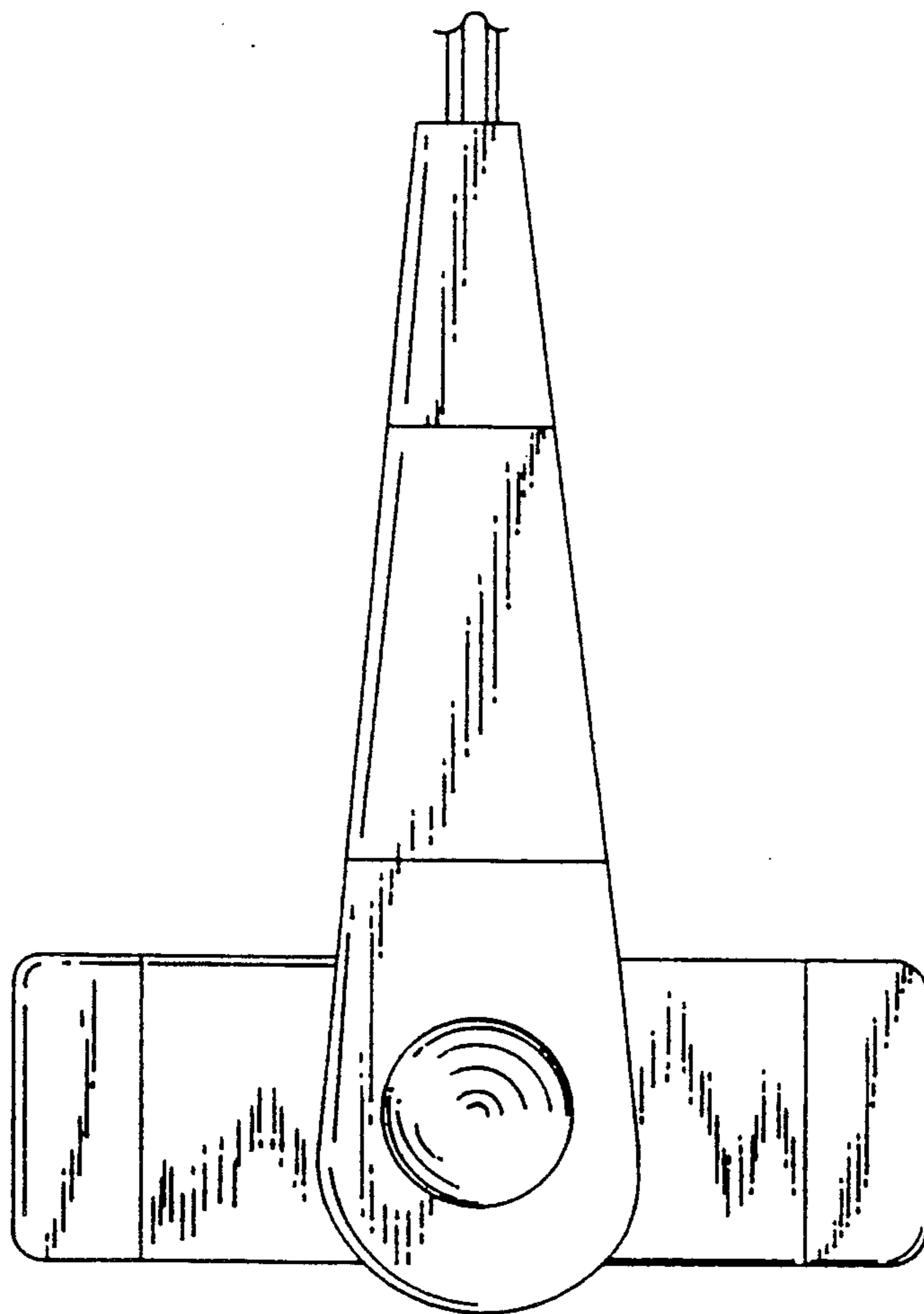


FIG 18

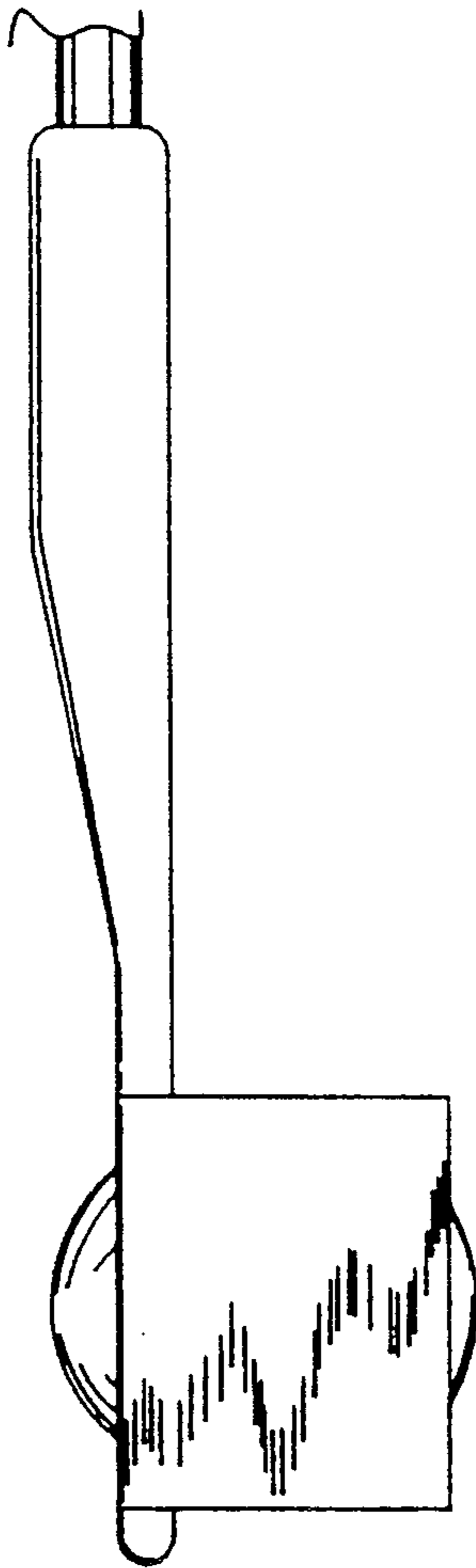


FIG 20

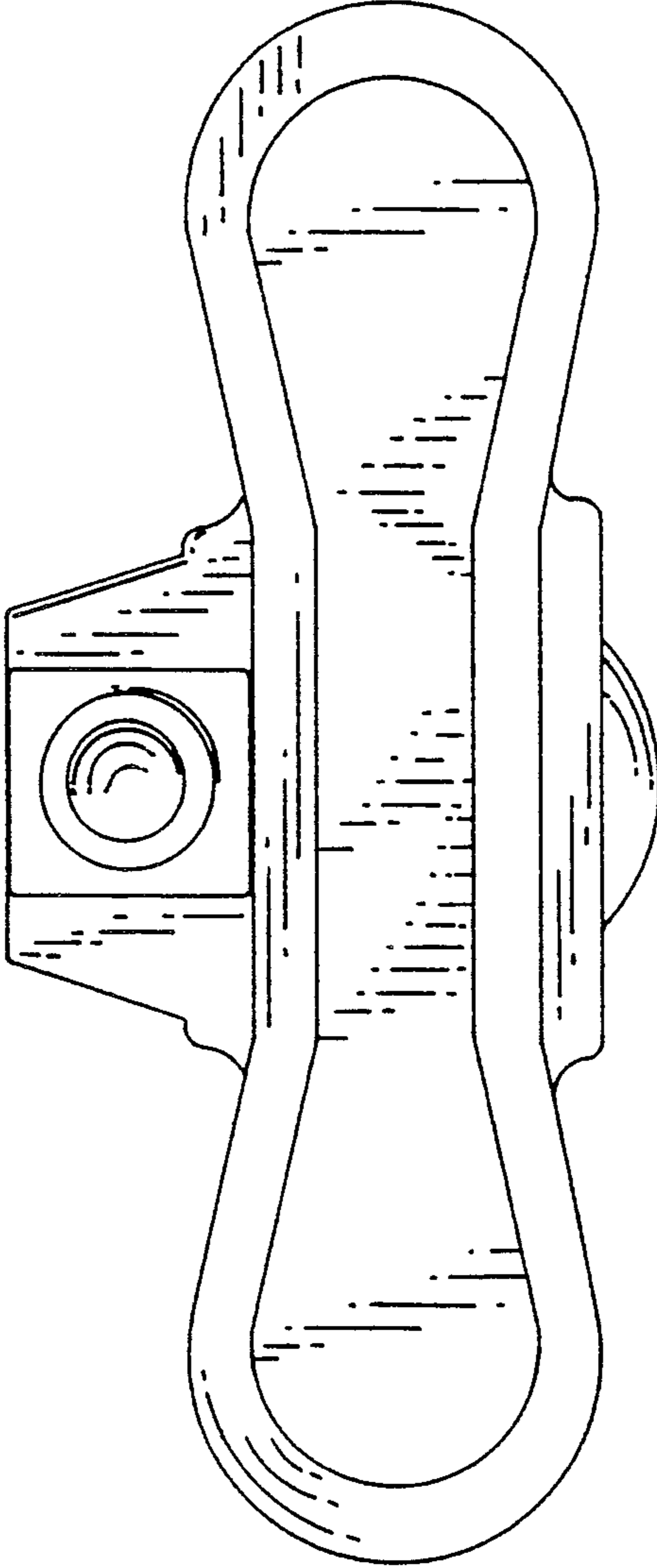


FIG 21

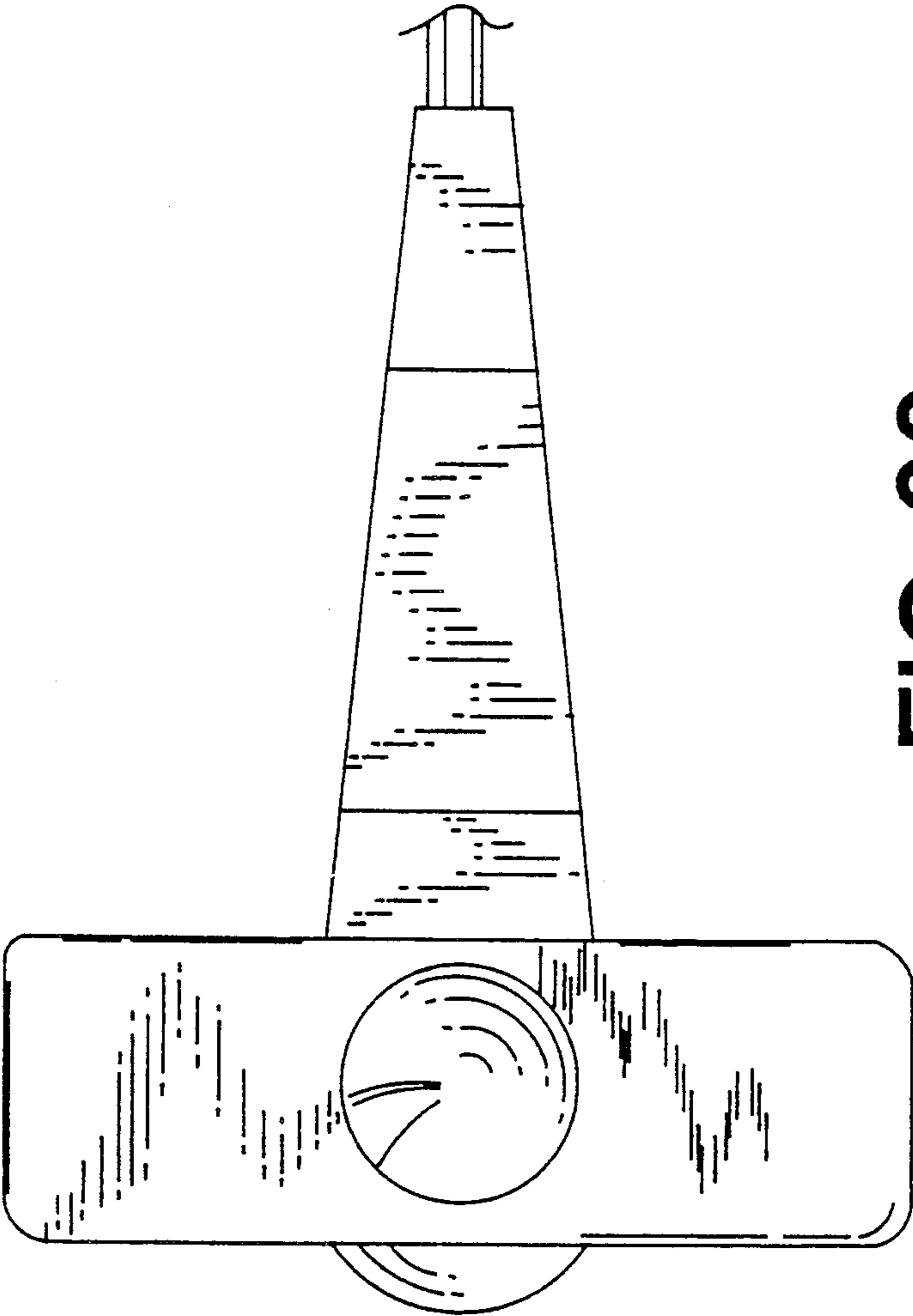


FIG 22