



US00D326712S

United States Patent [19]

[11] Patent Number: **Des. 326,712**

Fabrizio

[45] Date of Patent: **** Jun. 2, 1992**

[54] **COMBINED WATER HEATER AND SPACE HEATER**

[75] Inventor: **John M. Fabrizio, Bath, Ohio**

[73] Assignee: **Mor-Flo Industries, Inc., Cleveland, Ohio**

[**] Term: **14 Years**

[21] Appl. No.: **410,227**

[22] Filed: **Sep. 21, 1989**

[52] U.S. Cl. **D23/328; D23/318; D23/342**

[58] Field of Search **D23/328, 318, 342, 329, D23/355; 237/17, 18, 19; 126/101**

[56] **References Cited**

U.S. PATENT DOCUMENTS

D. 95,562	5/1935	Youngholm	D23/318
1,643,859	9/1927	Sauvage	431/13
1,707,281	4/1929	Sauvage	431/20
1,713,442	5/1929	Matcovich	431/19
1,826,748	10/1931	Delamere	110/162
2,348,950	5/1944	Anderson	236/45
2,385,854	10/1945	Wolfersperger	158/99
3,280,774	10/1966	English	110/162
3,385,351	5/1968	Ralston	D23/355
3,741,710	6/1973	Nelson	431/90
3,756,221	9/1973	Patycola	126/360 R
3,759,230	9/1973	Cooksley	122/156
3,767,894	10/1973	Berger	D23/318
4,204,832	5/1980	Miller	431/20
4,262,608	4/1981	Jackson	110/162
4,303,042	12/1981	Sumiyoshi	122/17
4,371,111	2/1983	Pernosky	126/101

4,397,296	9/1983	Moore, Jr. et al.	126/360
4,488,537	12/1984	Laurent	126/360 R
4,549,525	10/1985	Narang	126/361
4,641,631	2/1987	Jatana	126/101
4,660,541	4/1987	Moore	126/360
4,664,096	5/1987	Narang	126/351
4,672,919	6/1987	Staata	122/13 R
4,766,883	8/1988	Cameron et al.	126/360 R
4,925,093	5/1990	Moore, Jr. et al.	237/19

OTHER PUBLICATIONS

Brochure—"BGP Systems" Heat Maker ©1981 by BGP Systems, Inc.
 Brochure—"AMT Heat Maker"—PN2600-707, published before Sep., 1989.
 Brochure—State Industrie Inc. "Form DYC1/1084", published before Sep., 1989.

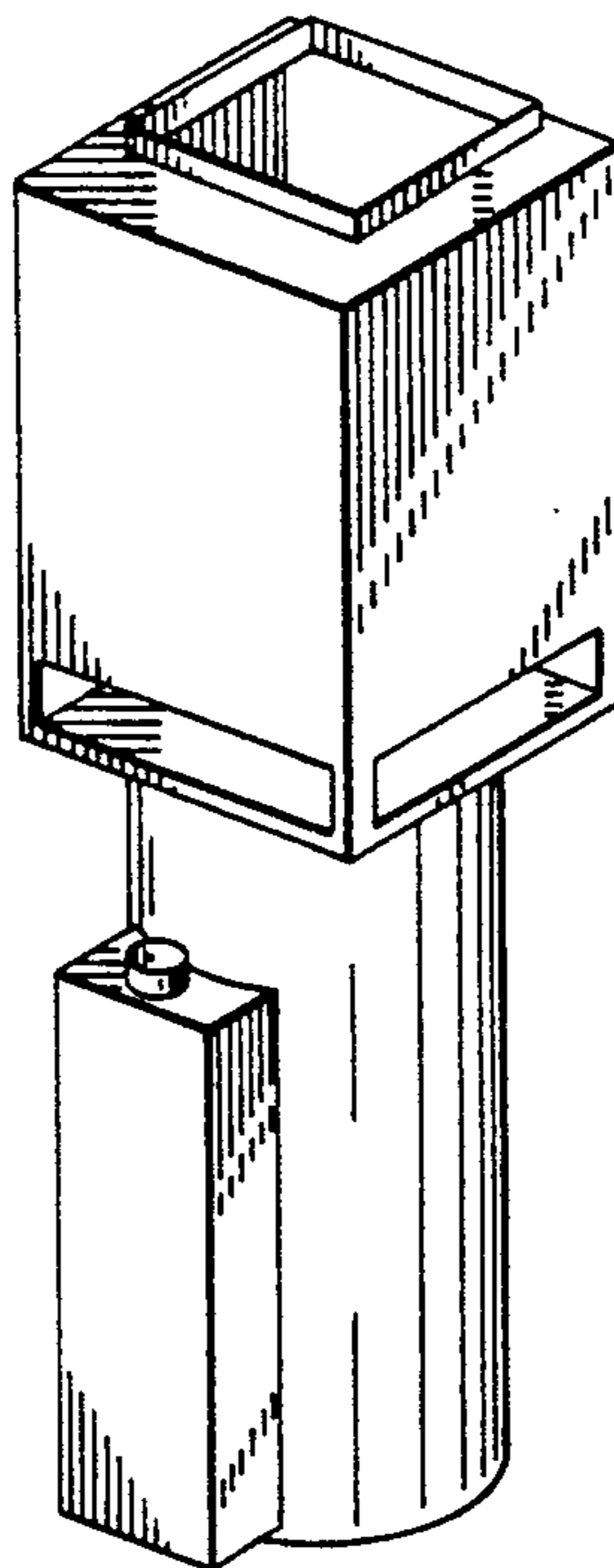
Primary Examiner—Wallace R. Burke
Assistant Examiner—Lisa Lichtenstein
Attorney, Agent, or Firm—Body, Vickers & Daniels

[57] **CLAIM**

The ornamental design of a combined water heater and space heater, as shown and described.

DESCRIPTION

FIG. 1 is a top, front, and right side perspective view of a combined water heater and space heater showing my new design;
 FIG. 2 is a front elevation view thereof;
 FIG. 3 is a right side elevation view thereof, the left side being a mirror image of that shown;
 FIG. 4 is a rear elevation view thereof;
 FIG. 5 is a top plan view thereof; and,
 FIG. 6 is a bottom plan view thereof.



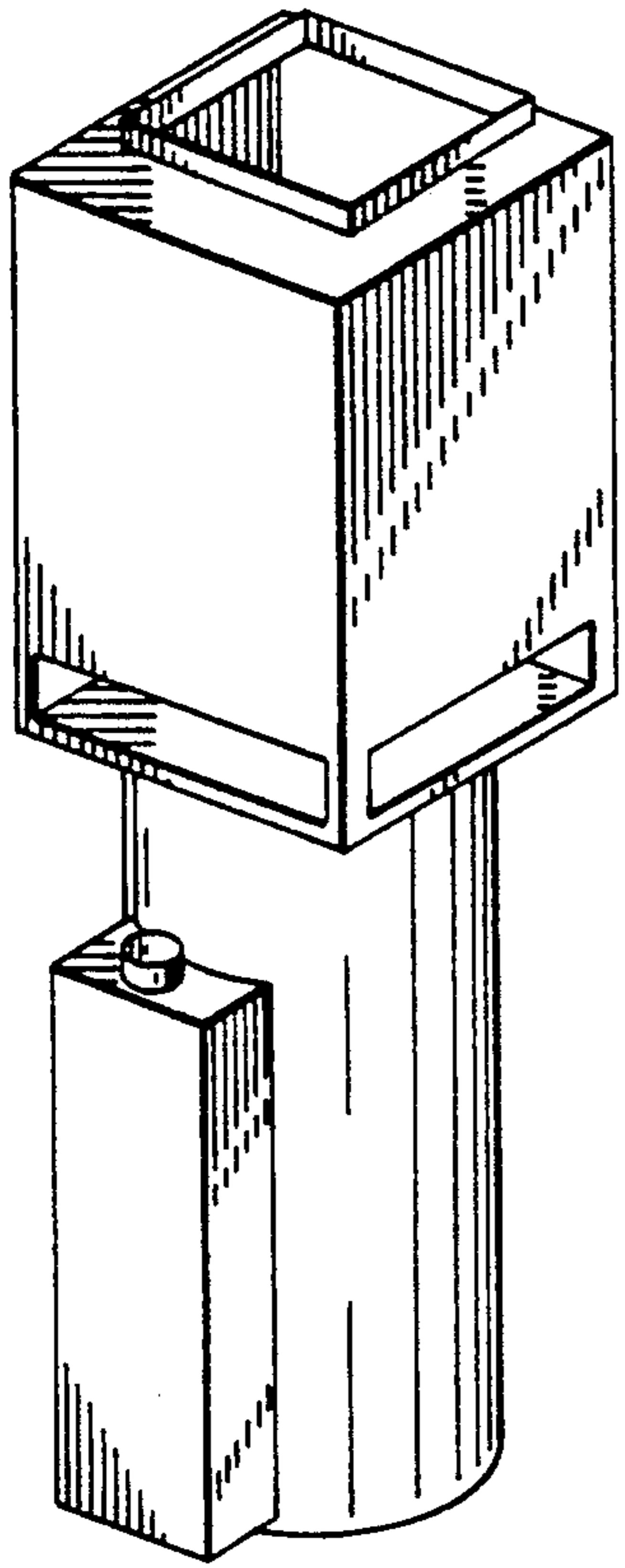


FIG. 1

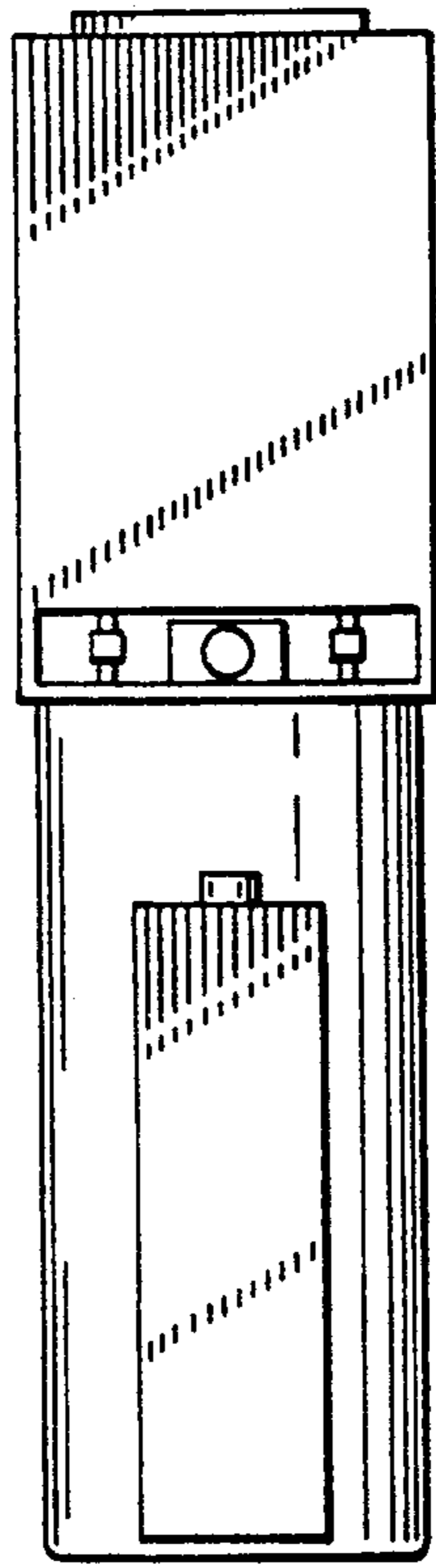


FIG. 2

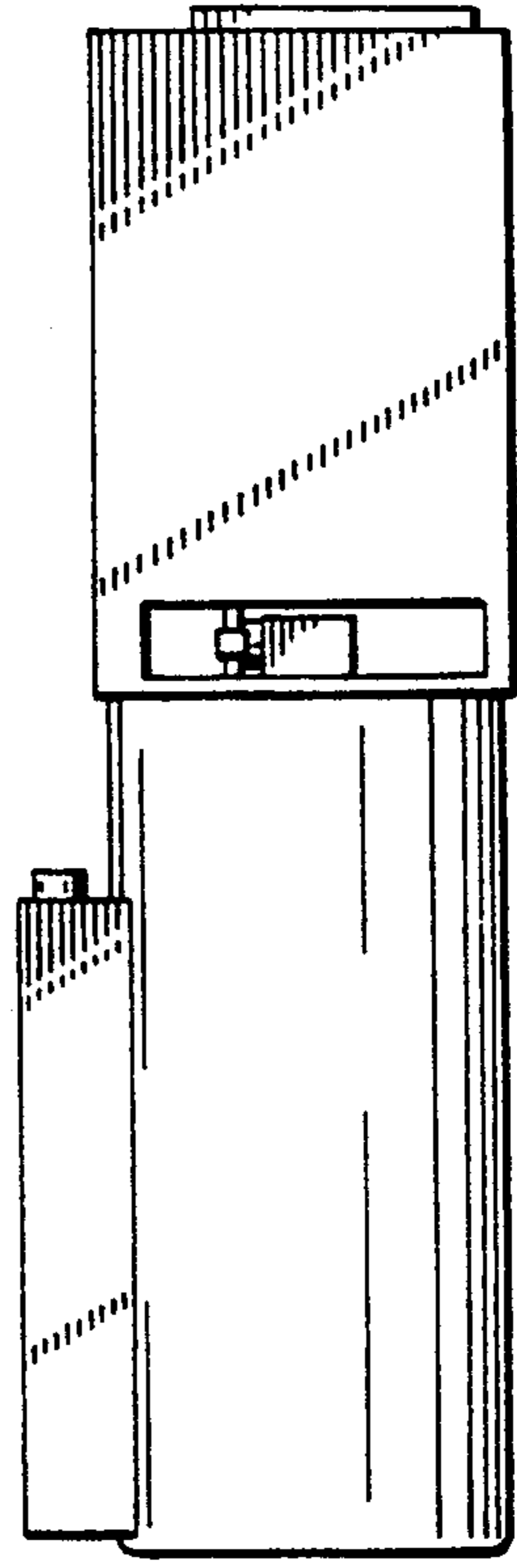


FIG. 3

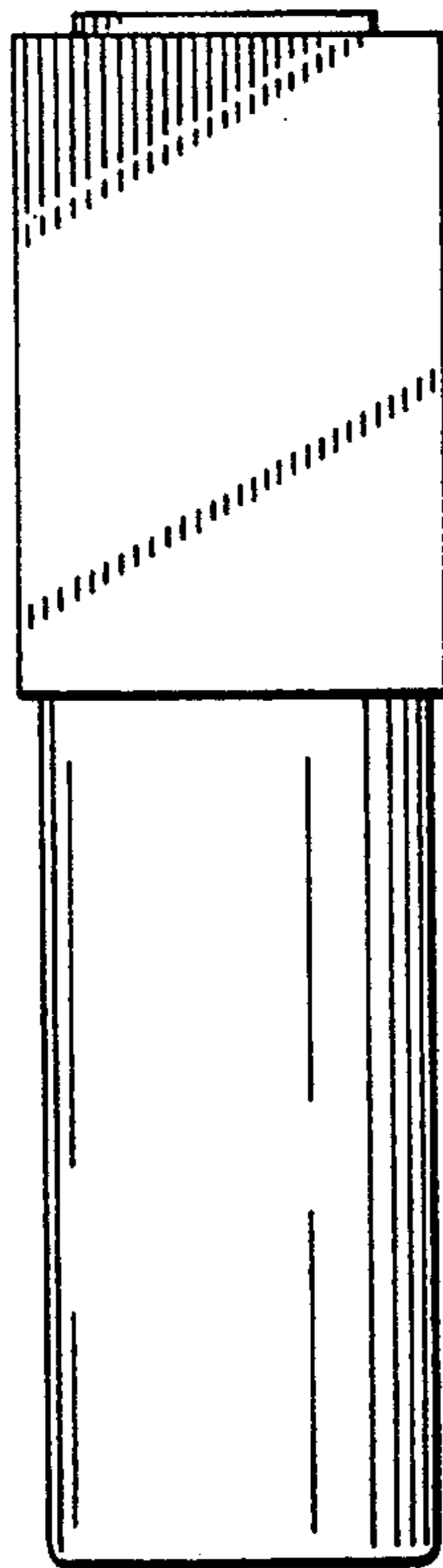


FIG. 4

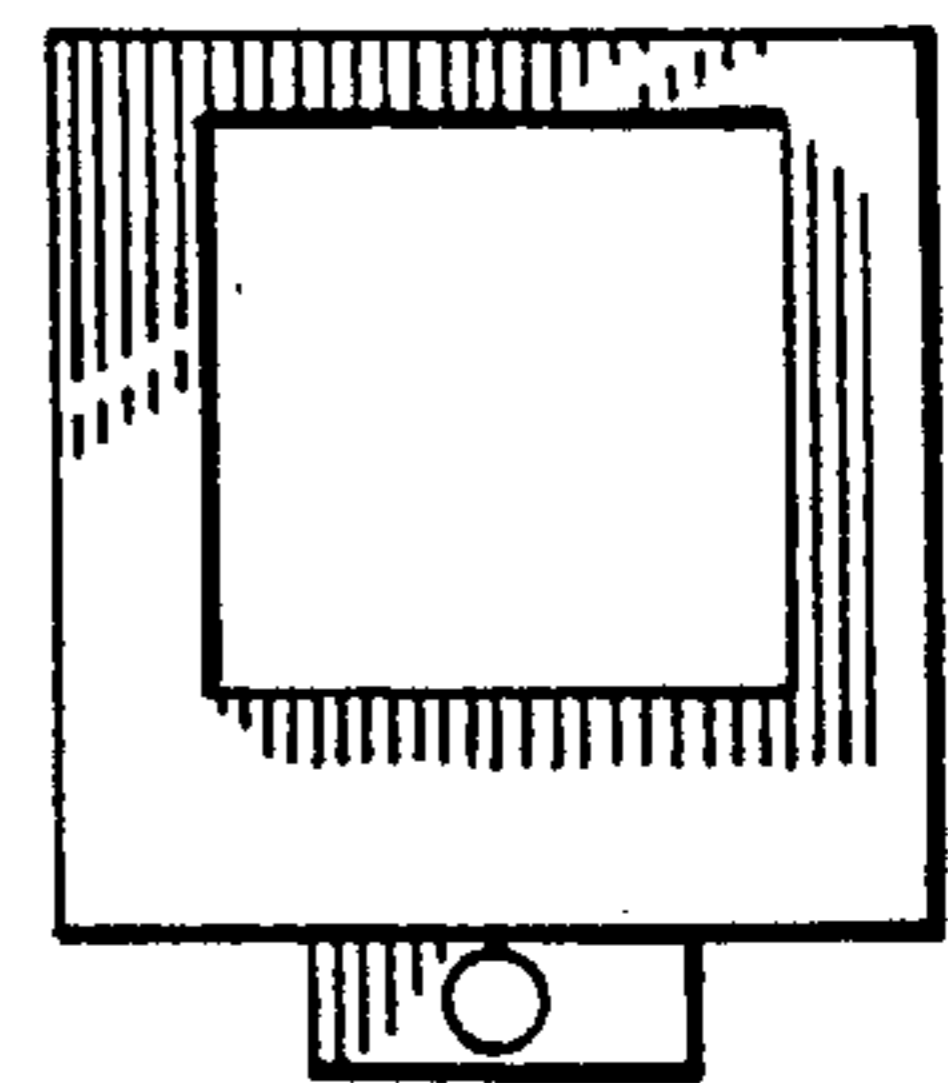


FIG. 5

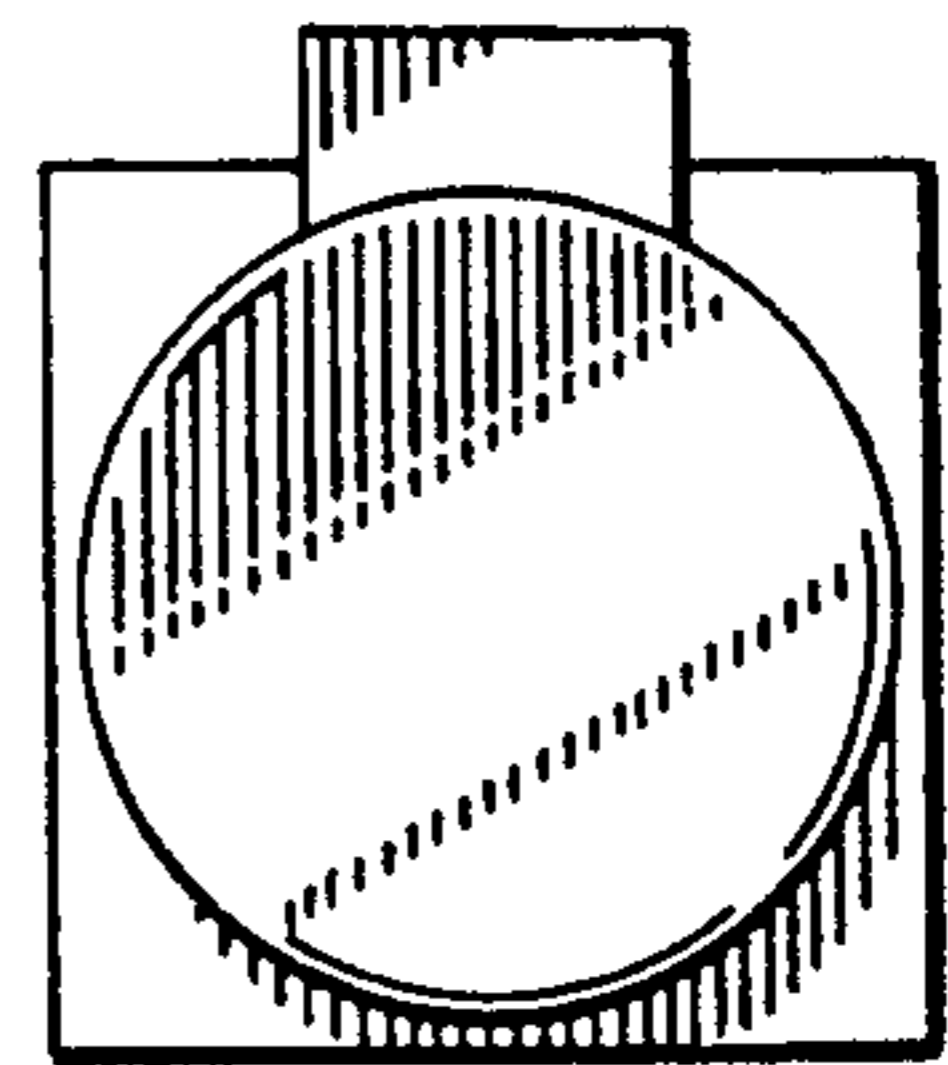


FIG. 6