



US00D326710S

United States Patent [19]

[11] Patent Number: **Des. 326,710**

Valls

[45] Date of Patent: **** Jun. 2, 1992**

[54] **GASKET**

[75] Inventor: **Jose E. Valls, Ponce, P.R.**

[73] Assignee: **Vassallo Research & Development Corp., Ponce, P.R.**

[**] Term: **14 Years**

[21] Appl. No.: **587,376**

[22] Filed: **Sep. 24, 1990**

D. 285,109	8/1986	Jornhagen	D23/269
D. 285,247	8/1986	Jornhagen	D23/269
D. 289,078	3/1987	Vassallo et al.	D23/269
4,579,354	4/1986	Vassallo et al.	277/207 A
4,625,383	12/1986	Vassallo et al.	277/207 A X
4,637,618	1/1987	Valls	277/207 A X
4,818,209	4/1989	Petersson et al.	277/207 A X
4,834,398	5/1989	Guzowski et al.	277/207 A

Primary Examiner—James R. Largen
Attorney, Agent, or Firm—J. Rodman Steele, Jr.

Related U.S. Application Data

[60] Division of Ser. No. 574,543, Aug. 28, 1990, abandoned, which is a continuation of Ser. No. 326,277, Mar. 21, 1989, abandoned.

[52] U.S. Cl. **D23/269**

[58] Field of Search **D23/269; 277/207 A**

References Cited

U.S. PATENT DOCUMENTS

D. 244,533	5/1977	Eidelberg et al.	D23/269
D. 256,046	7/1980	Perrin	D23/269
D. 281,525	11/1985	Gilbert	D23/269

[57] CLAIM

The ornamental design for a gasket, as shown and described.

DESCRIPTION

FIG. 1 is a top perspective view of a gasket showing my new design;
FIG. 2 is an enlarged cross sectional view taken on line 2—2 of FIG. 1;
FIG. 3 is a top plan view thereof;
FIG. 4 is a bottom plan view thereof; and,
FIG. 5 is a side elevational view thereof, the other sides being the same as the side shown.

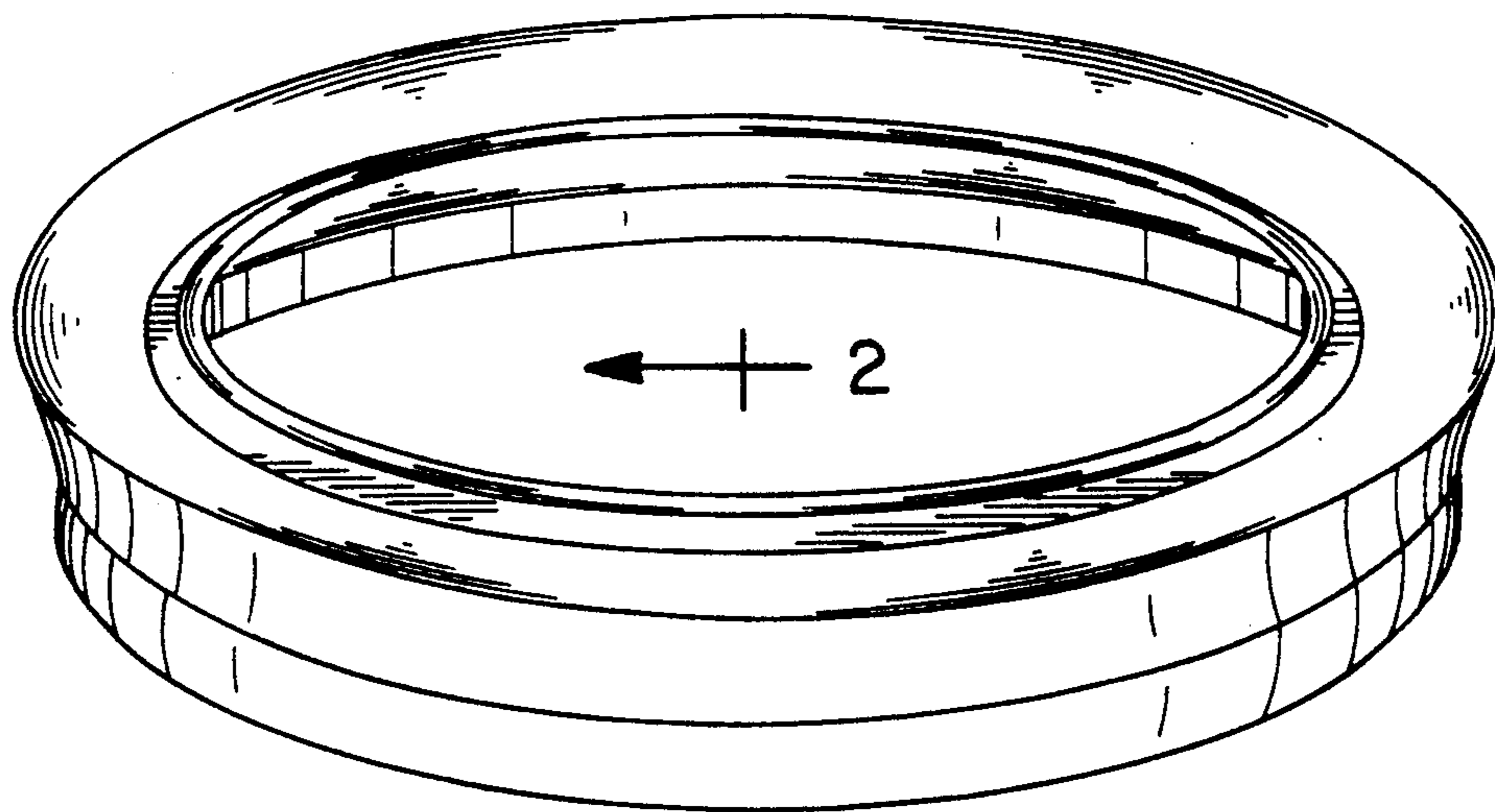


FIG. 1

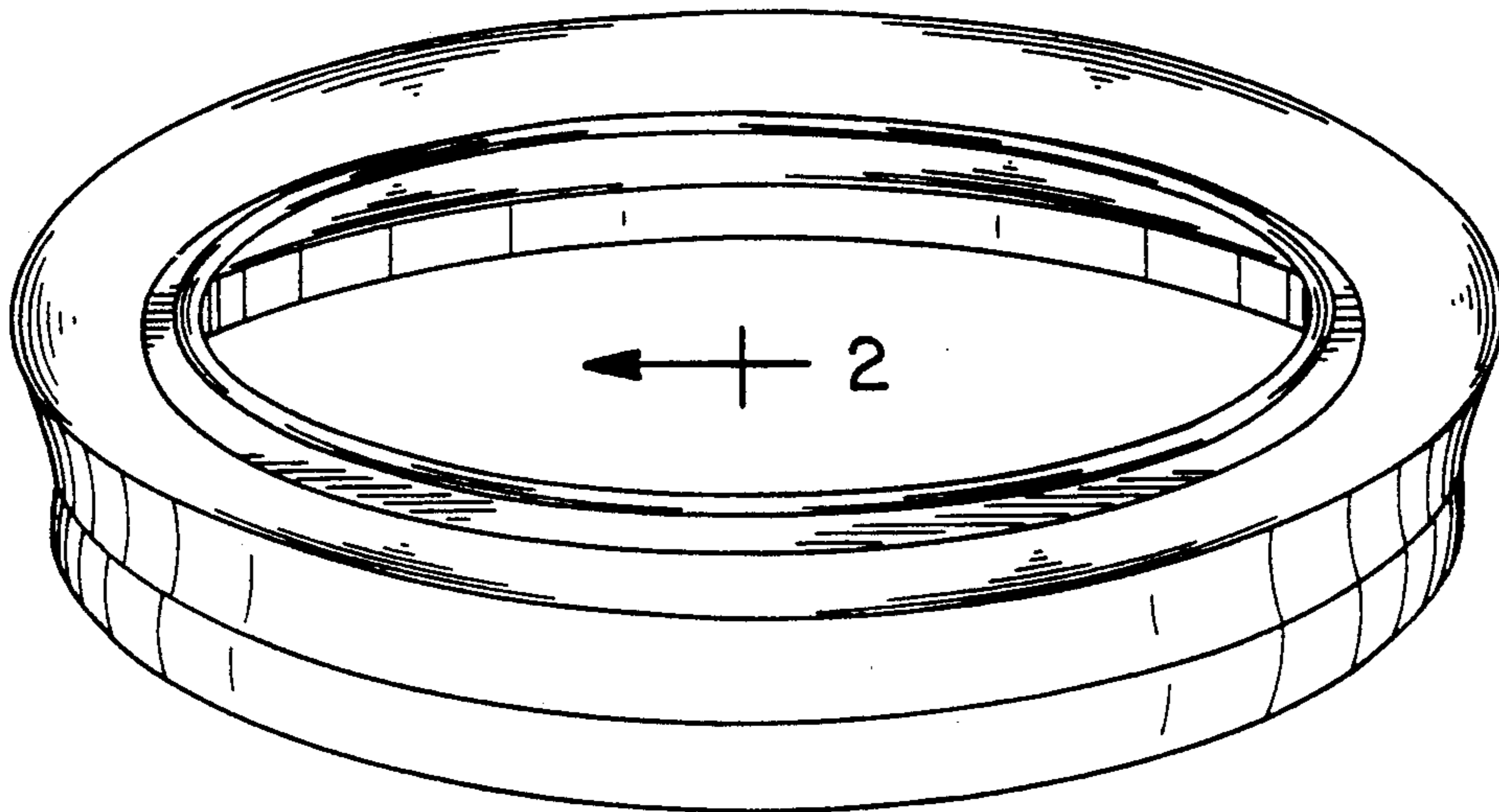


FIG. 2

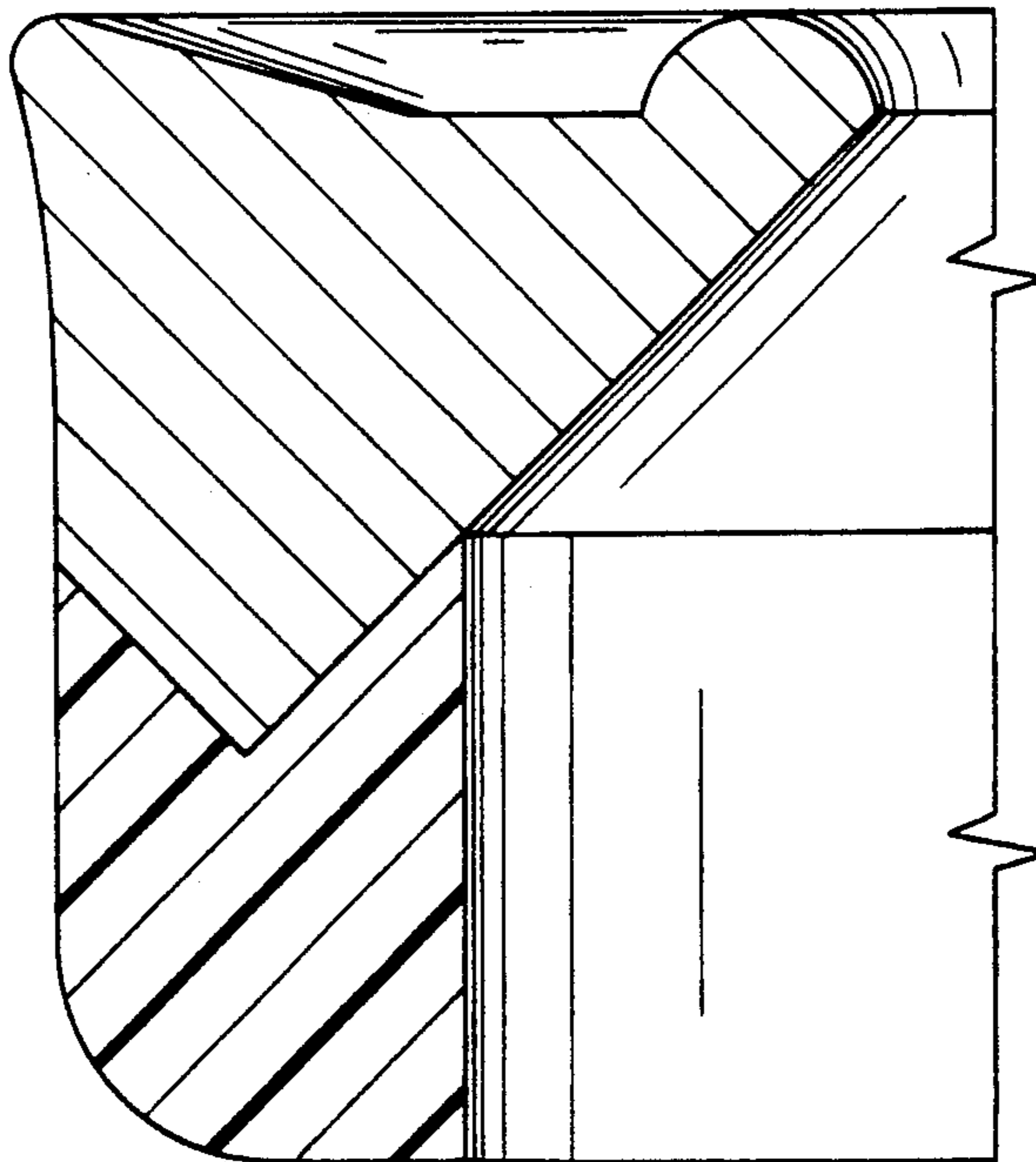


FIG. 3

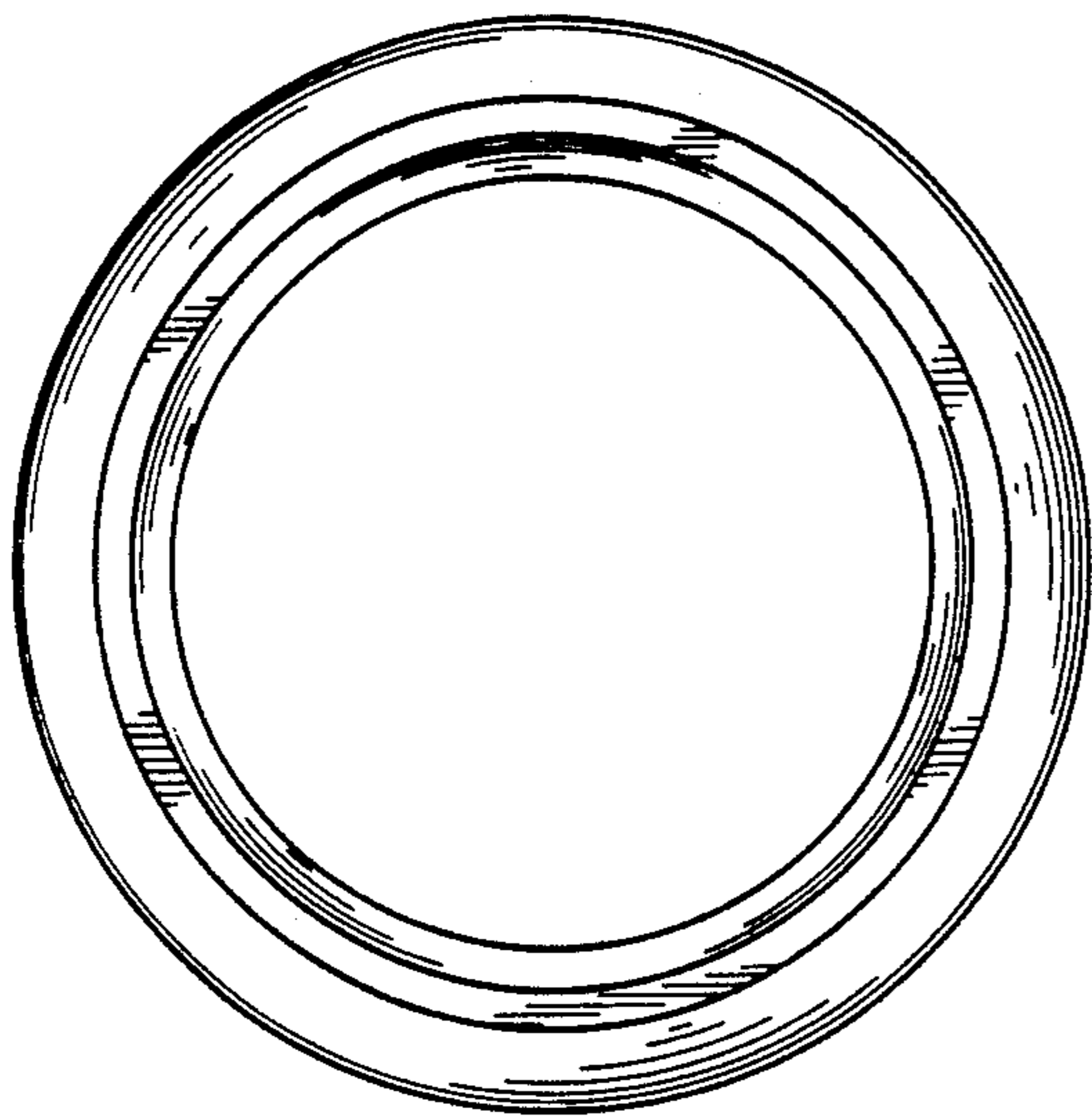


FIG. 4

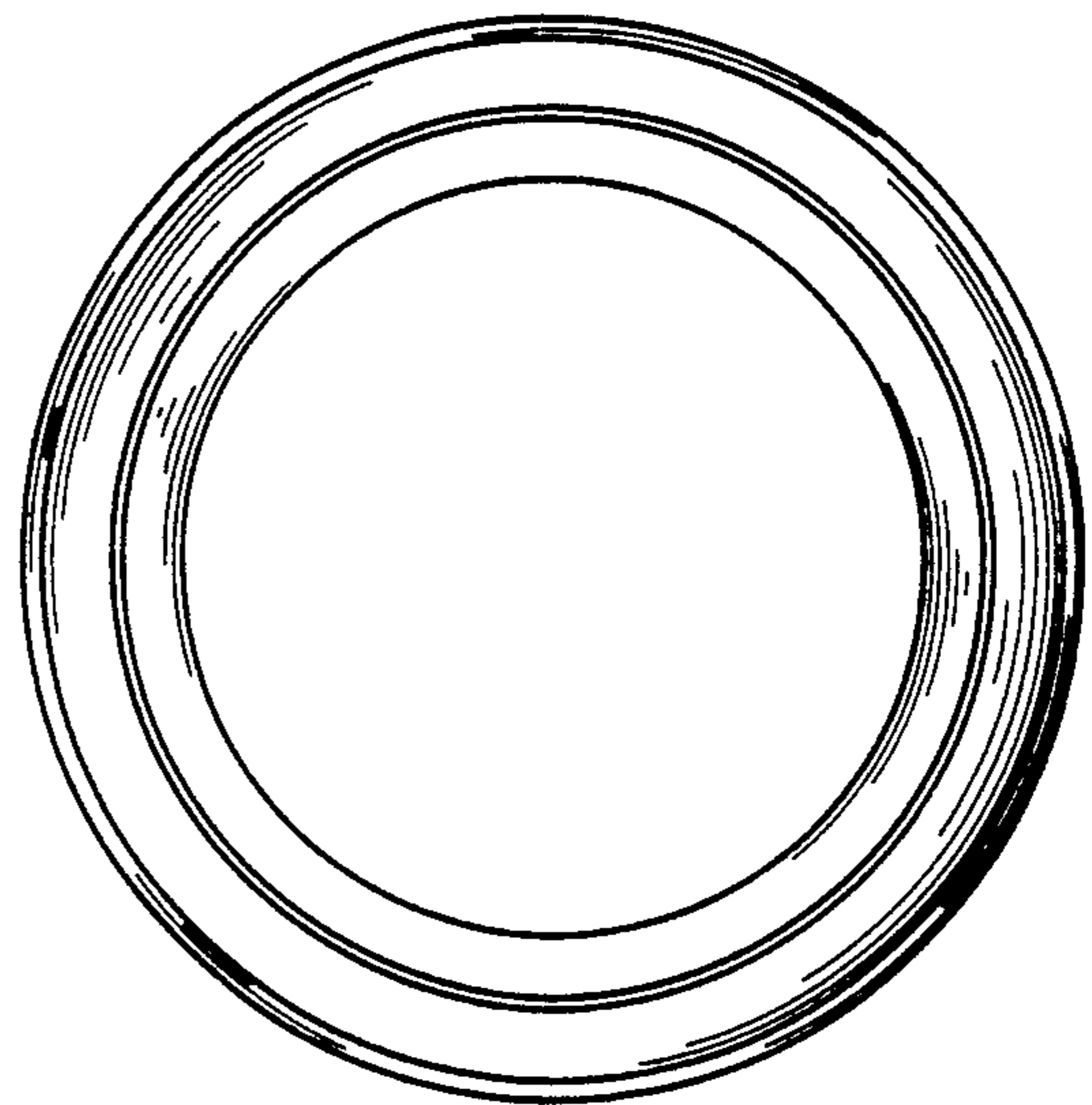


FIG. 5

