



US00D326706S

United States Patent [19]

Karlsson

[11] Patent Number: **Des. 326,706**

[45] Date of Patent: **** Jun. 2, 1992**

[54] **AIR FILTER HOUSING FOR USE IN A FACTORY, LABORATORY OR THE LIKE**

3,382,984 5/1968 Kuss 210/448
4,711,718 12/1987 Nelson, Jr. 210/449 X
4,961,845 10/1990 Dauson et al. 200/443 X

[75] Inventor: **Håkan R. Karlsson, Eslöv, Sweden**

[73] Assignee: **AB Ph. Nederman & Co., Helsingborg, Sweden**

[**] Term: **14 Years**

[21] Appl. No.: **533,666**

[22] Filed: **Jun. 5, 1990**

[30] **Foreign Application Priority Data**

Dec. 6, 1989 [SE] Sweden 89-2794

[52] U.S. Cl. **D23/209**

[58] Field of Search **D23/207-210:**
210/97, 198.1, 205-206, 231, 244-246, 257.1,
257.2, 258, 260-261, 282, 287-290, 295, 321.6,
321.78, 416.3, 443-449; **D19/73**

[56] **References Cited**

U.S. PATENT DOCUMENTS

D. 250,035 10/1978 Kajiwara **D19/73**
D. 282,767 2/1986 Shofner **D23/209**
D. 306,640 3/1990 Kott **D23/209**

OTHER PUBLICATIONS

AB PH. Nederman and Co. brochure, May 1, 1990, Panel 4 (Marked "X").

Primary Examiner—Susan J. Lucas
Assistant Examiner—M. H. Tung
Attorney, Agent, or Firm—Foley & Lardner

[57] **CLAIM**

The ornamental design for an air filter housing or use in a factory, laboratory for the like, as shown and described.

DESCRIPTION

FIG. 1 is a top perspective view of an air filter housing for use in a factory, laboratory or the like showing my new design;

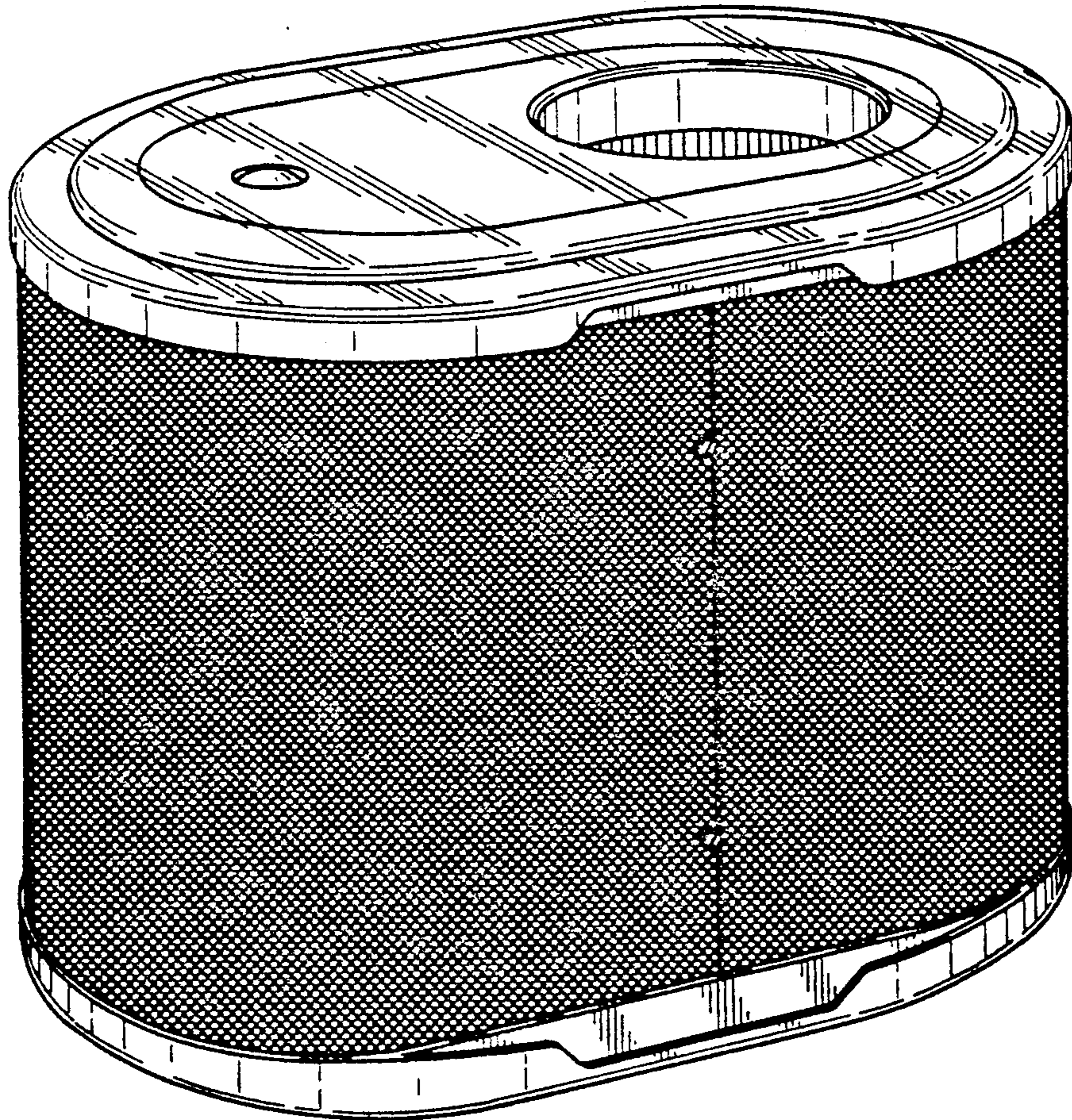
FIG. 2 is a rear elevational view thereof;

FIG. 3 is a bottom plan view thereof;

FIG. 4 is a top plan view thereof;

FIG. 5 is a front elevational view thereof; and,

FIG. 6 is a side elevational view thereof, the other side being identical.



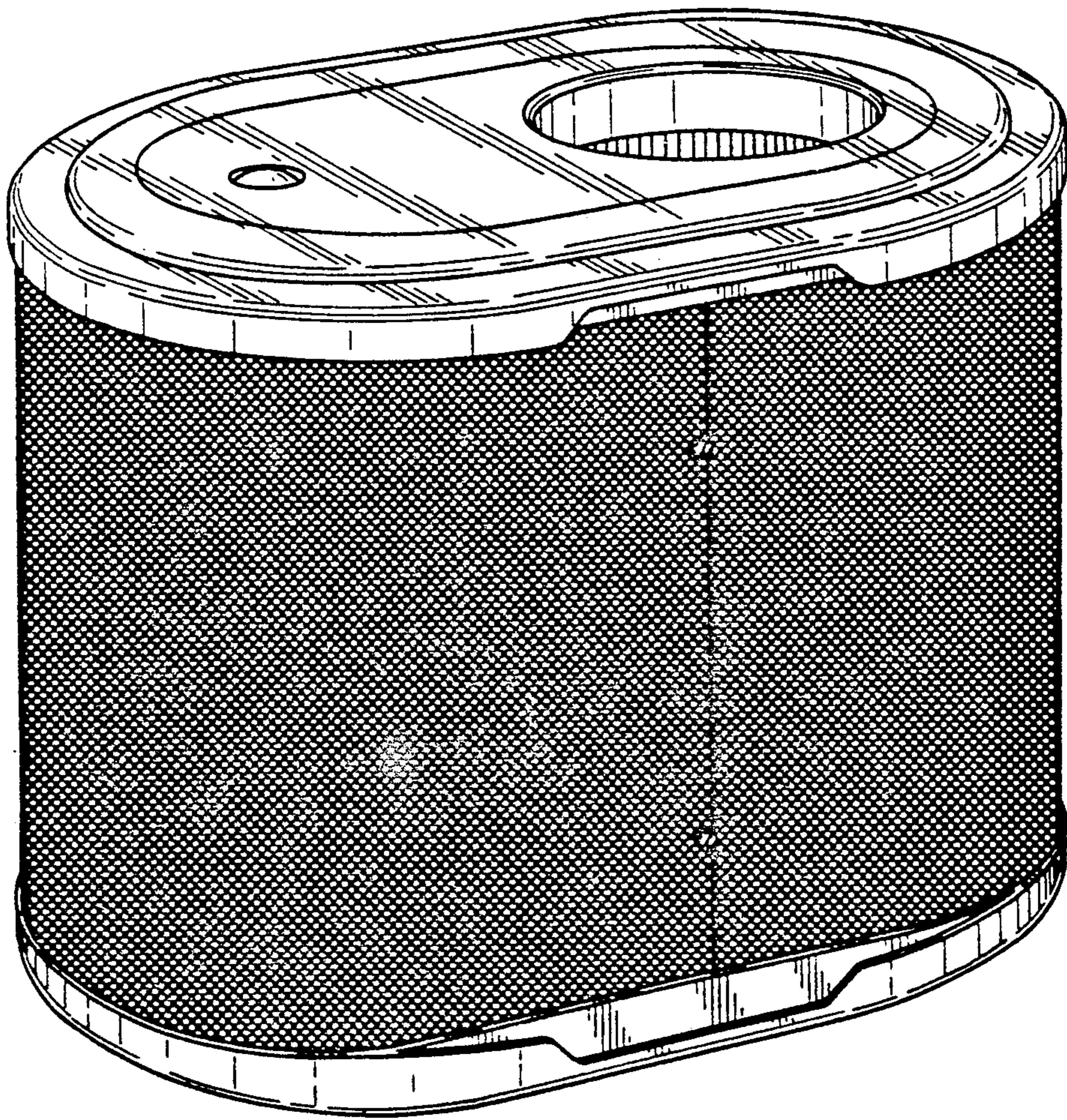


FIG. 1

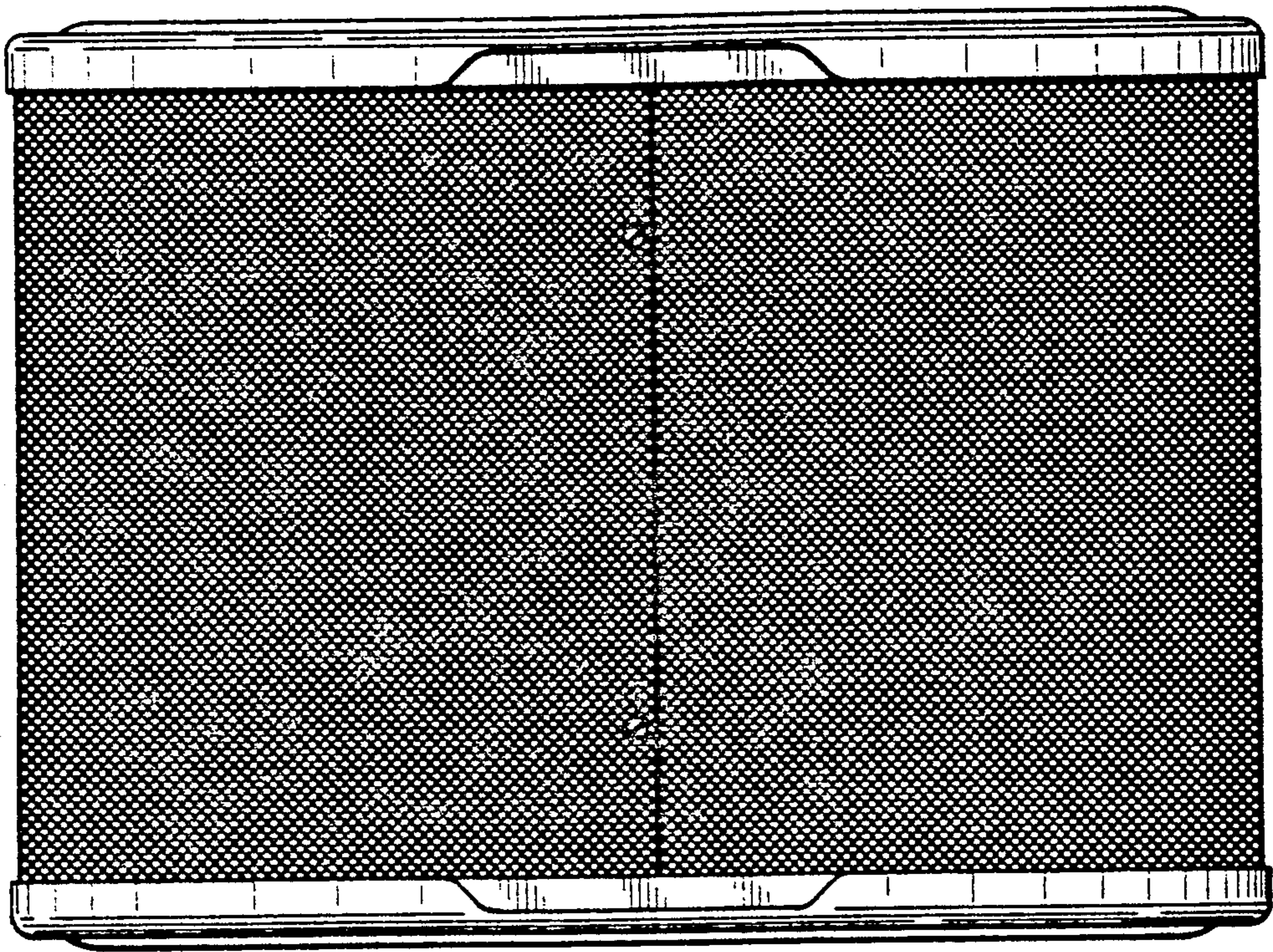


FIG. 2

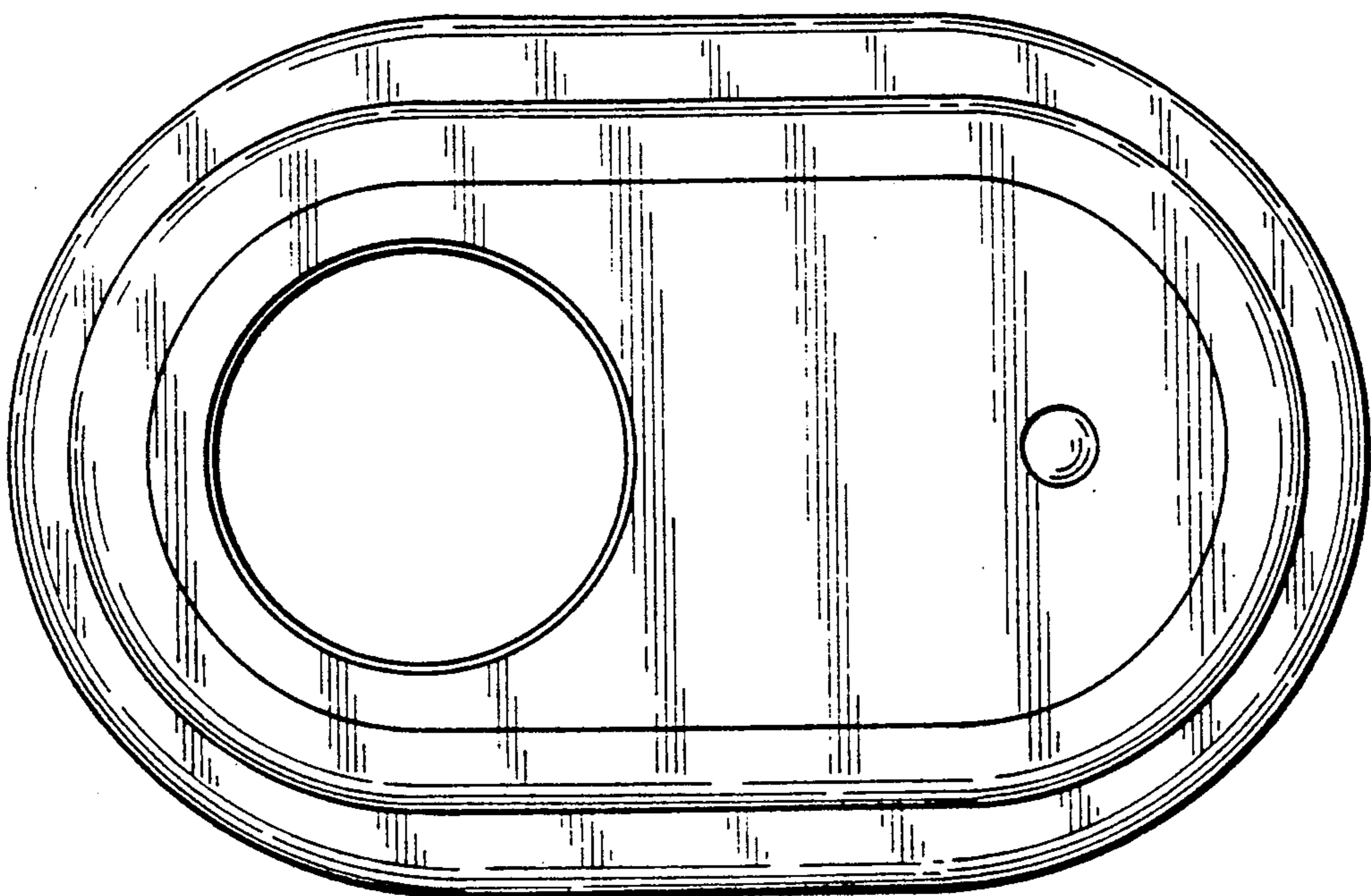


FIG. 3

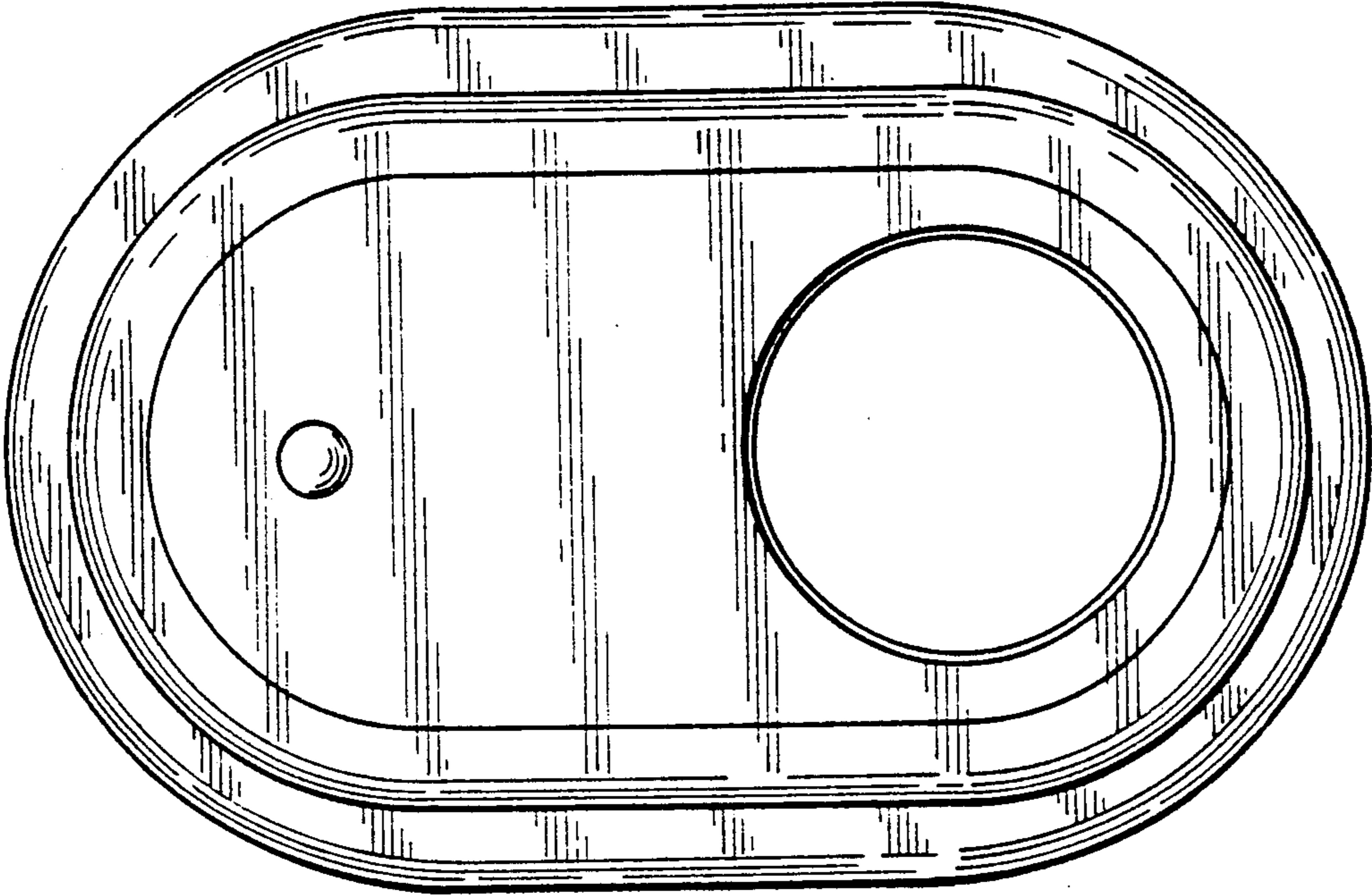


FIG. 4

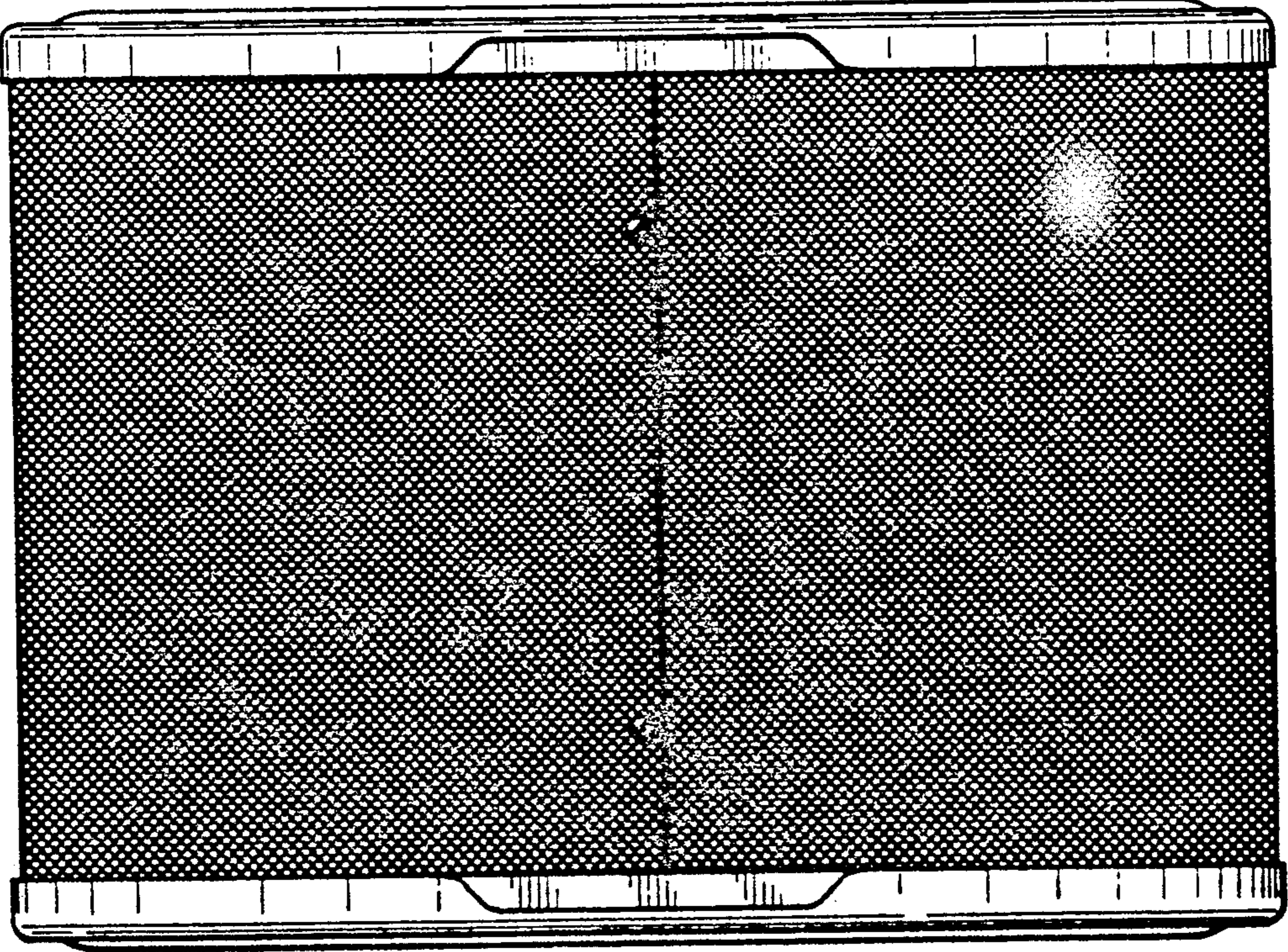


FIG. 5

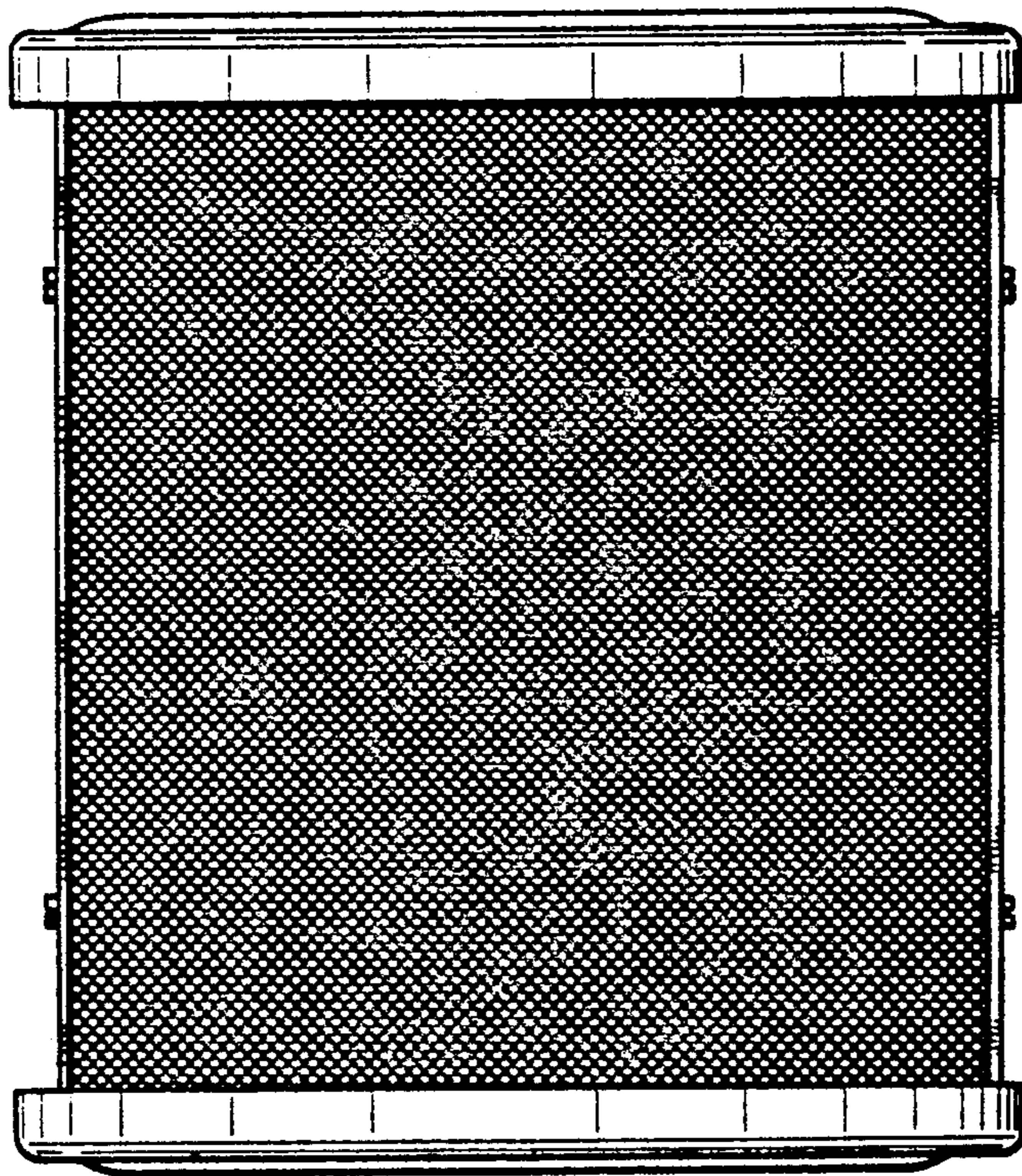


FIG. 6