



US00D326705S

United States Patent [19]

[11] Patent Number: **Des. 326,705**

Vanden burg et al.

[45] Date of Patent: **** Jun. 2, 1992**

[54] **RAINWATER COLLECTOR**

[76] Inventors: **James E. Vanden burg; Thomas Fearebay**, both of 12 R. Foley Dr., Framingham, Mass. 01701

[**] Term: **14 Years**

[21] Appl. No.: **505,642**

[22] Filed: **Apr. 4, 1990**

[52] U.S. Cl. **D23/205; D23/200**

[58] Field of Search **D23/200, 202-206; 220/565; 52/11, 14, 16; 405/118-120; 73/171, 170 R, 863**

4,583,399 4/1986 Walsh et al. 73/170 R X
4,697,462 10/1987 Daube .
4,732,037 3/1988 Daube .
4,836,018 6/1989 Dispenza 73/171

Primary Examiner—Susan J. Lucas
Assistant Examiner—M. H. Tung
Attorney, Agent, or Firm—Terry M. Gernstein

[57] **CLAIM**

The ornamental design for a rainwater collector, as shown and described.

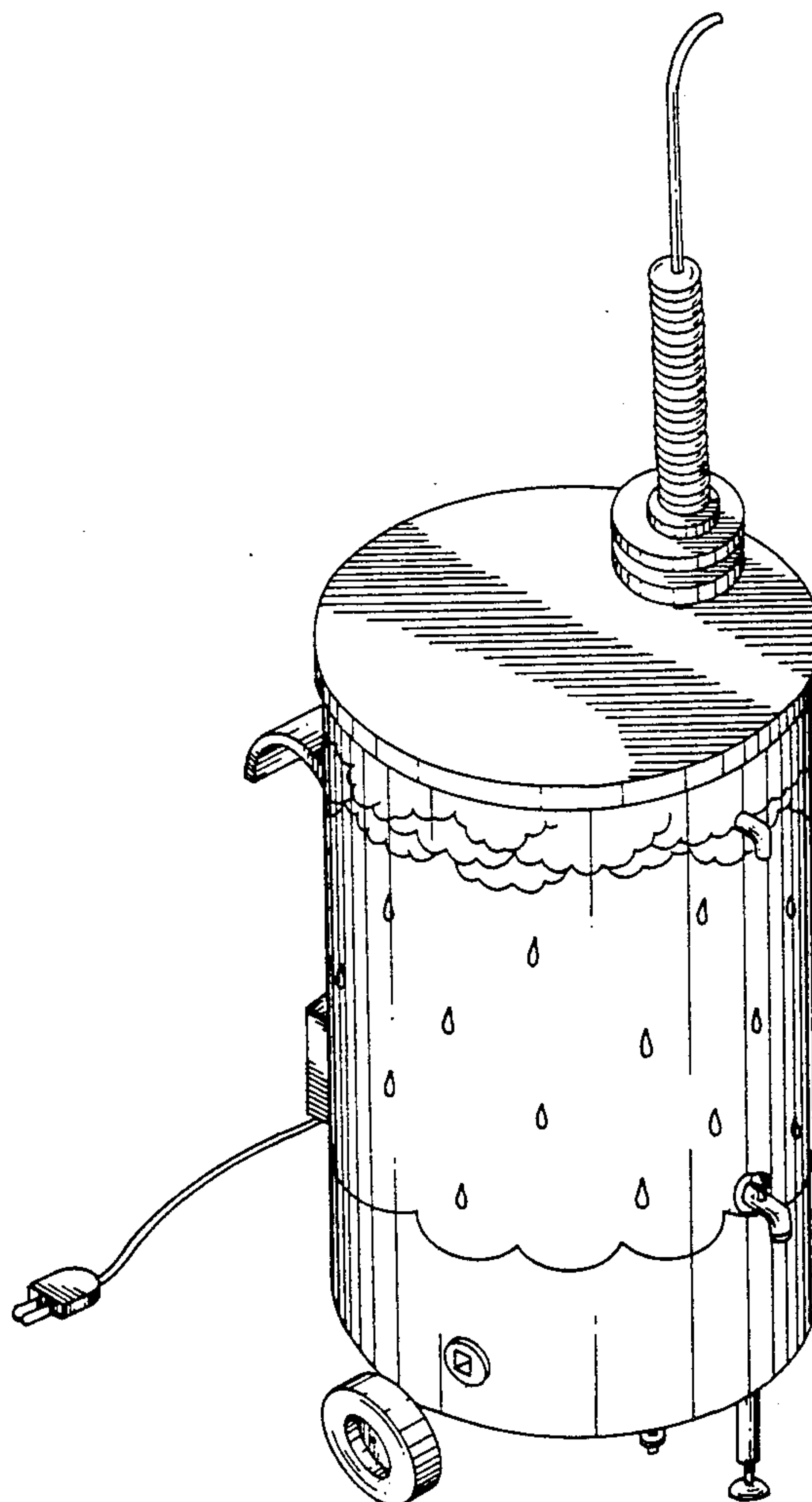
DESCRIPTION

FIG. 1 is a perspective view of a rainwater collector showing our new design;
FIG. 2 is a side elevational view thereof, the opposite side being a mirror image;
FIG. 3 is a front elevational view thereof;
FIG. 4 is a rear elevational view thereof; and
FIG. 5 is a top plan view thereof, the bottom being unadorned.

[56] **References Cited**

U.S. PATENT DOCUMENTS

D. 218,096 7/1970 Craig D23/205
D. 222,254 10/1971 Kattelman D23/205
4,233,841 11/1980 Abele 73/171
4,386,484 6/1983 van Berne .



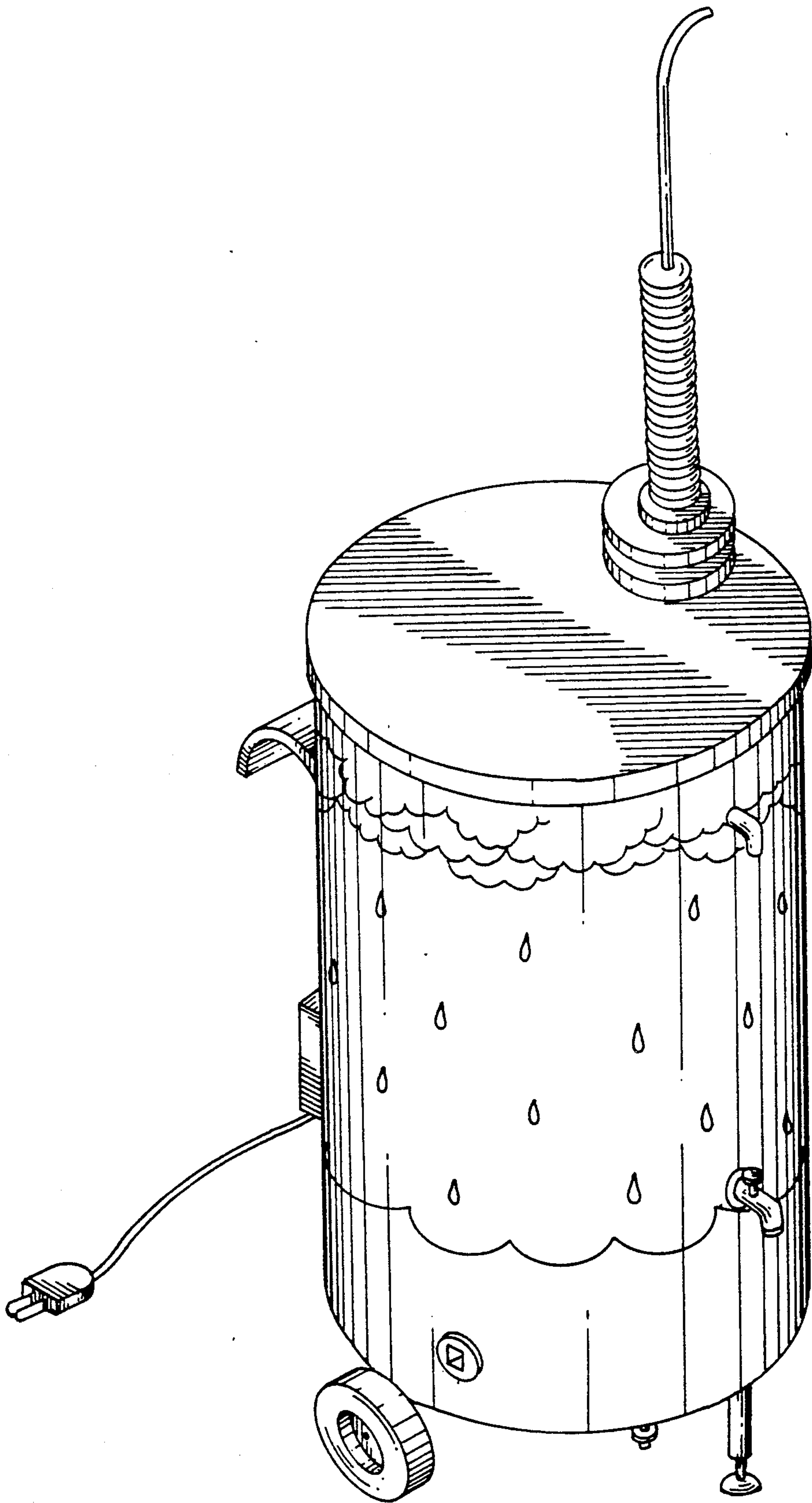


FIG. 1.

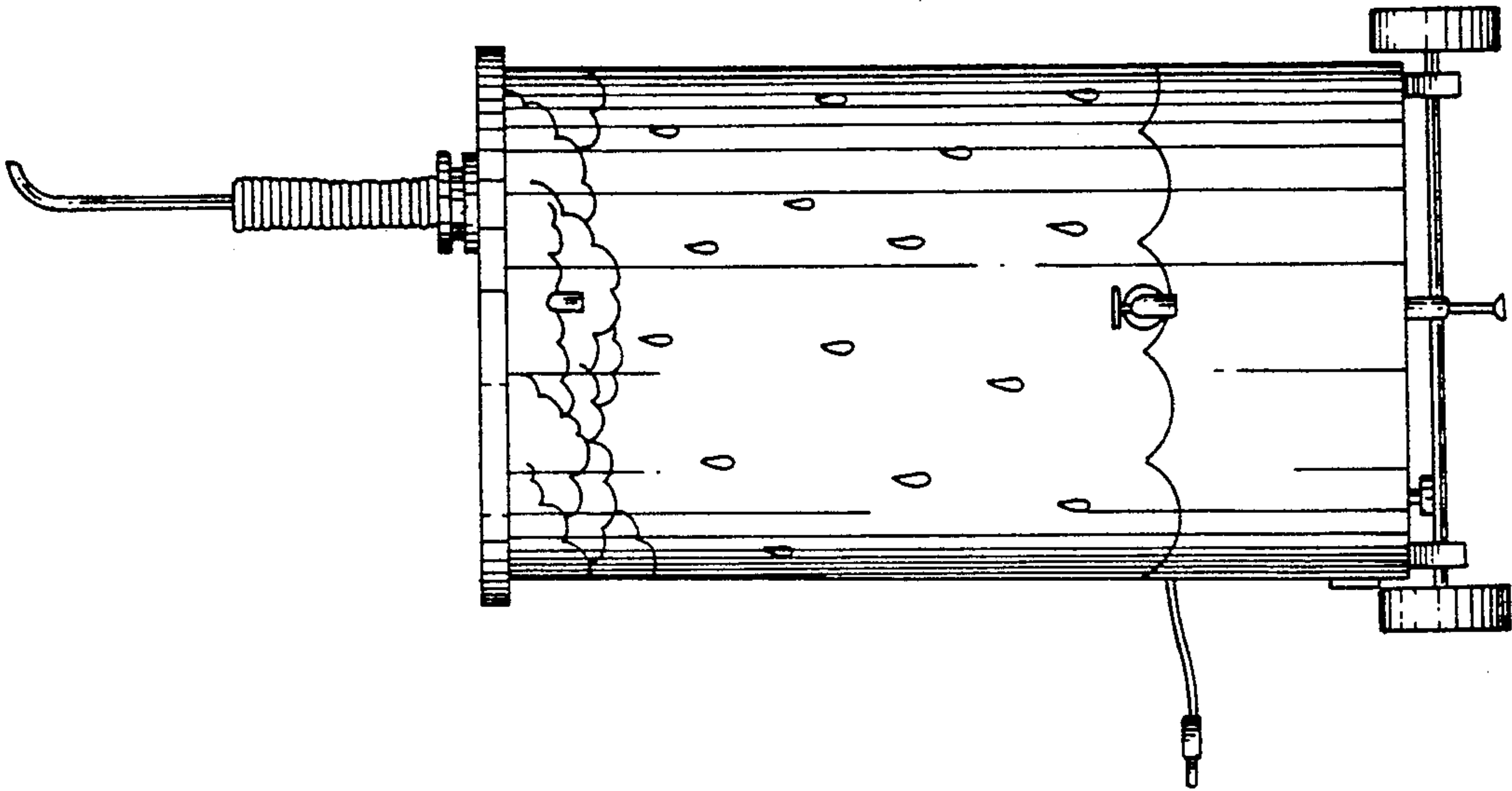


FIG. 3.

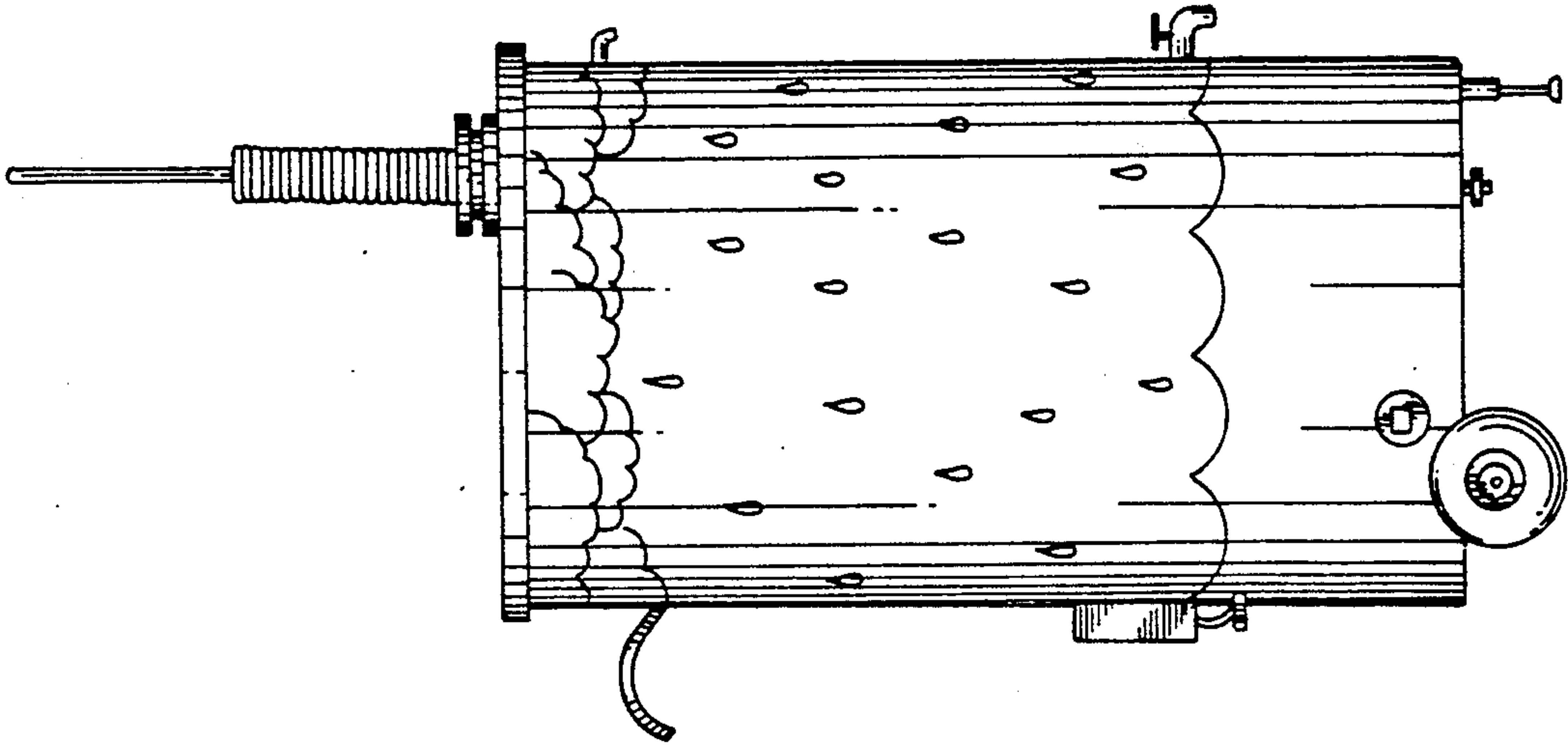


FIG. 2.

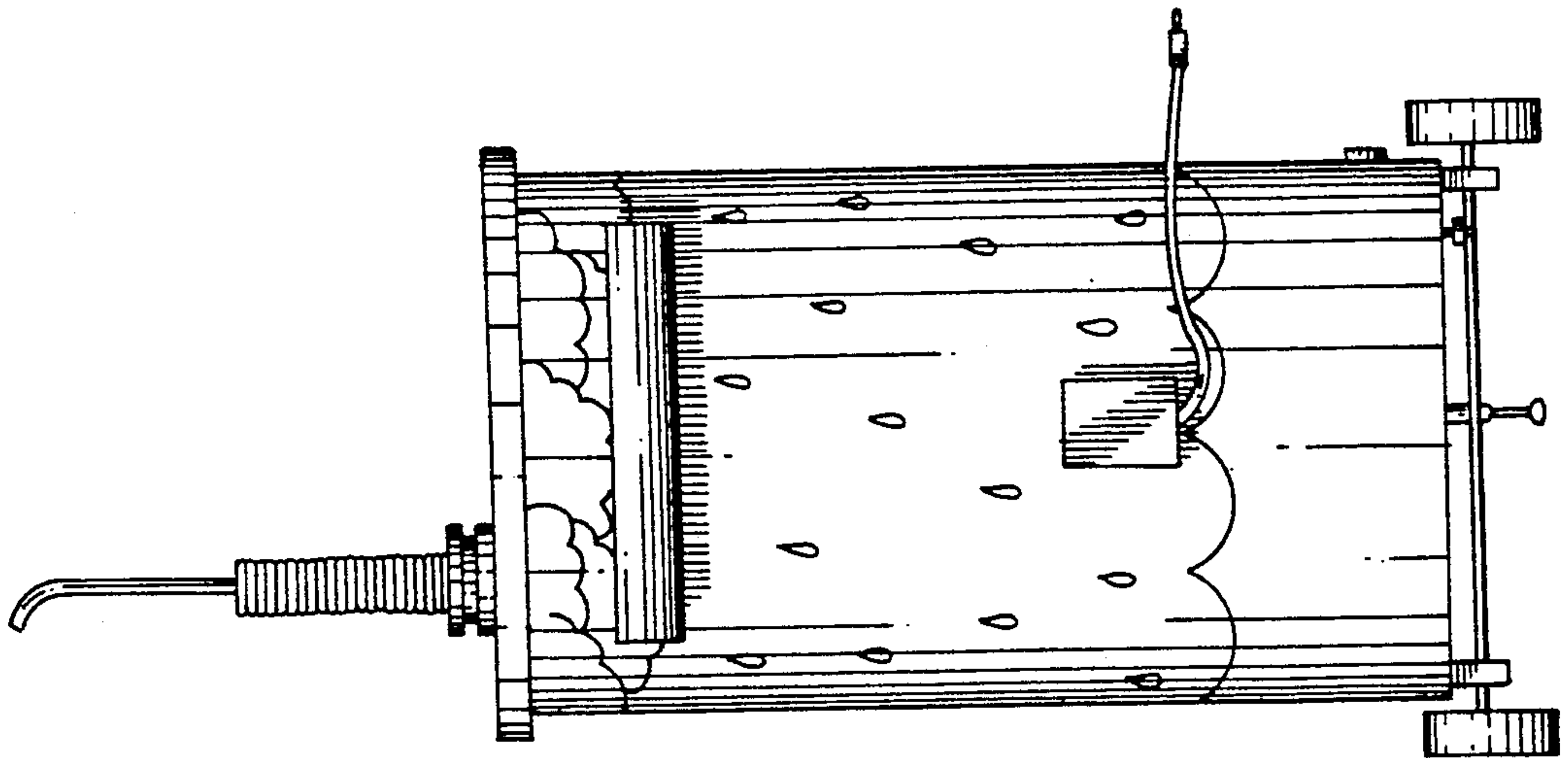


FIG. 4

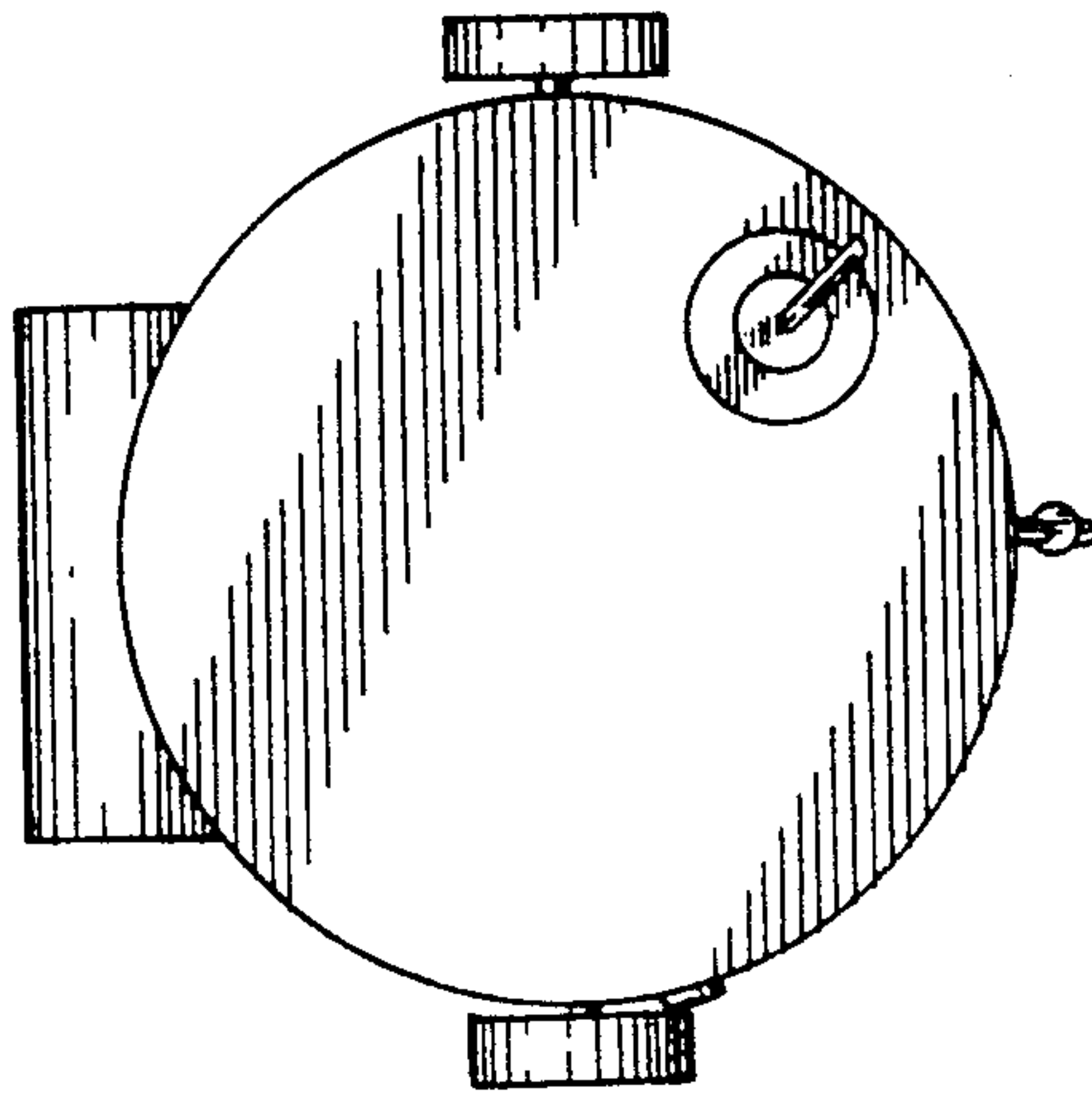


FIG. 5