



US00D326704S

United States Patent [19]

[11] Patent Number: **Des. 326,704**

Calavan

[45] Date of Patent: **** Jun. 2, 1992**

[54] **FISHING POLE HOLDER**

[75] Inventor: **Van M. Calavan, Spokane, Wash.**

[73] Assignee: **David M. Medina, Spokane, Wash.**

[**] Term: **14 Years**

[21] Appl. No.: **394,186**

[22] Filed: **Aug. 15, 1989**

[52] U.S. Cl. **D22/147; D8/354**

[58] Field of Search **D22/147; 248/511-520, 248/530, 532-534, 538, 61-63, 71, 76; 43/21.2; 224/922; D8/354, 396, 363, 364, 366, 371**

4,238,098 12/1980 Siegfried et al. 248/71 X
 5,005,789 4/1991 Jones 248/71 X
 5,009,386 4/1991 Berger et al. 248/62 X

FOREIGN PATENT DOCUMENTS

38439 6/1931 France 248/514
 1037063 9/1953 France 248/533

Primary Examiner—A. Hugo Word
Assistant Examiner—Doris V. Coles
Attorney, Agent, or Firm—Wells, St. John & Roberts

[57] CLAIM

The ornamental design for a fishing pole holder, as shown and described.

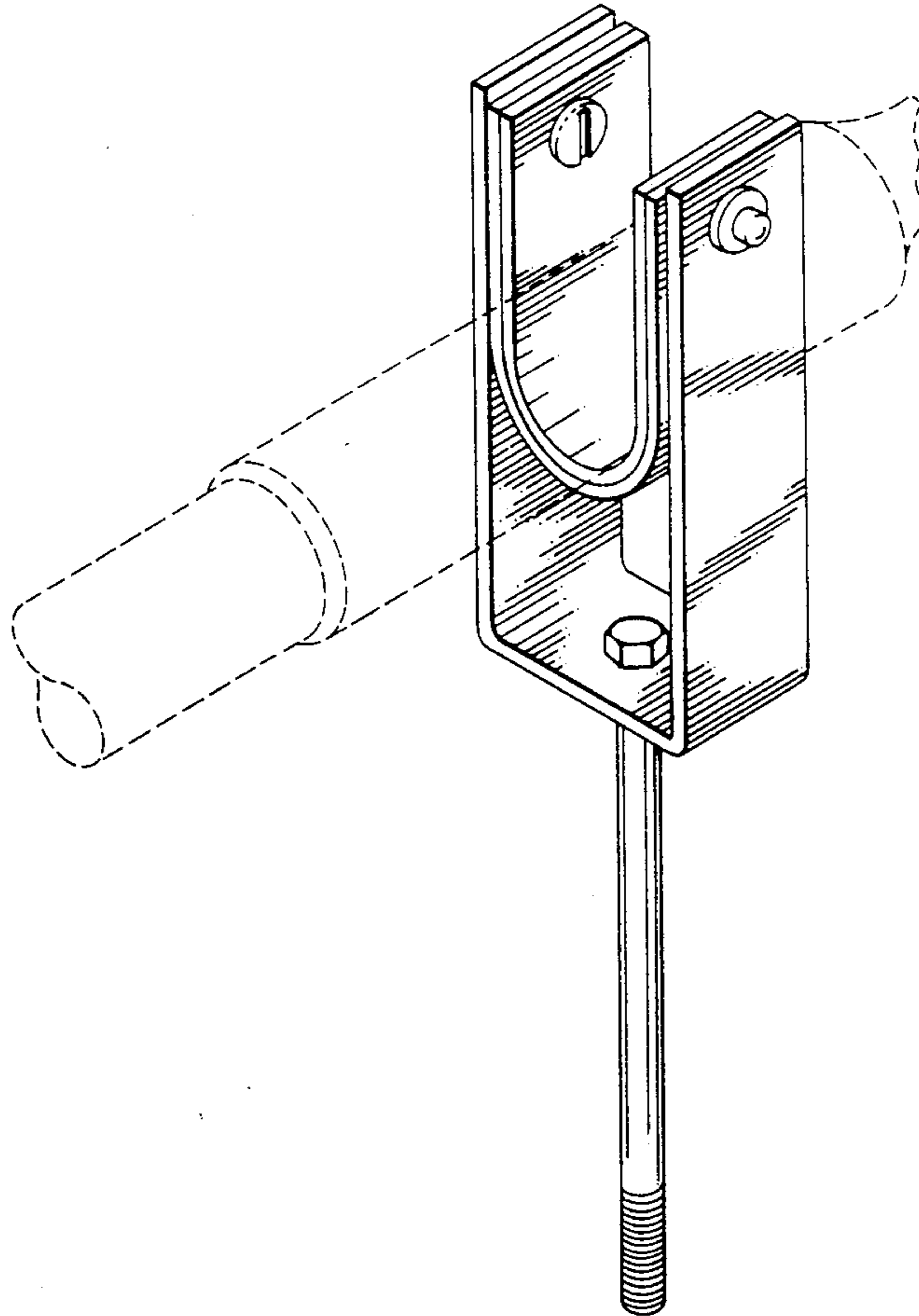
DESCRIPTION

FIG. 1 is a perspective view of a fishing pole holder, showing my new design, the broken line showing of part of a fishing pole is for illustrative the purposes only and form no part of claimed design;
 FIG. 2 is a front elevational view, the rear being a mirror image thereof;
 FIG. 3 is a side elevational view, the opposite side being a mirror image thereof;
 FIG. 4 is a top plan view thereof; and,
 FIG. 5 is a bottom plan view thereof.

[56] References Cited

U.S. PATENT DOCUMENTS

D. 125,767 3/1941 Hilts D22/147
 D. 211,636 6/1968 Ardizzone et al. .
 D. 234,355 2/1975 West .
 D. 313,454 1/1991 Eglinsdoerfer, Sr. D22/147
 1,154,756 9/1915 Georgeson 43/17
 2,309,350 1/1943 Nanasko 43/21.2
 2,908,099 9/1959 Burke .
 3,309,808 4/1967 George, Sr. .
 3,754,733 8/1973 Foster 242/96 X
 4,012,861 6/1977 Gellatly .



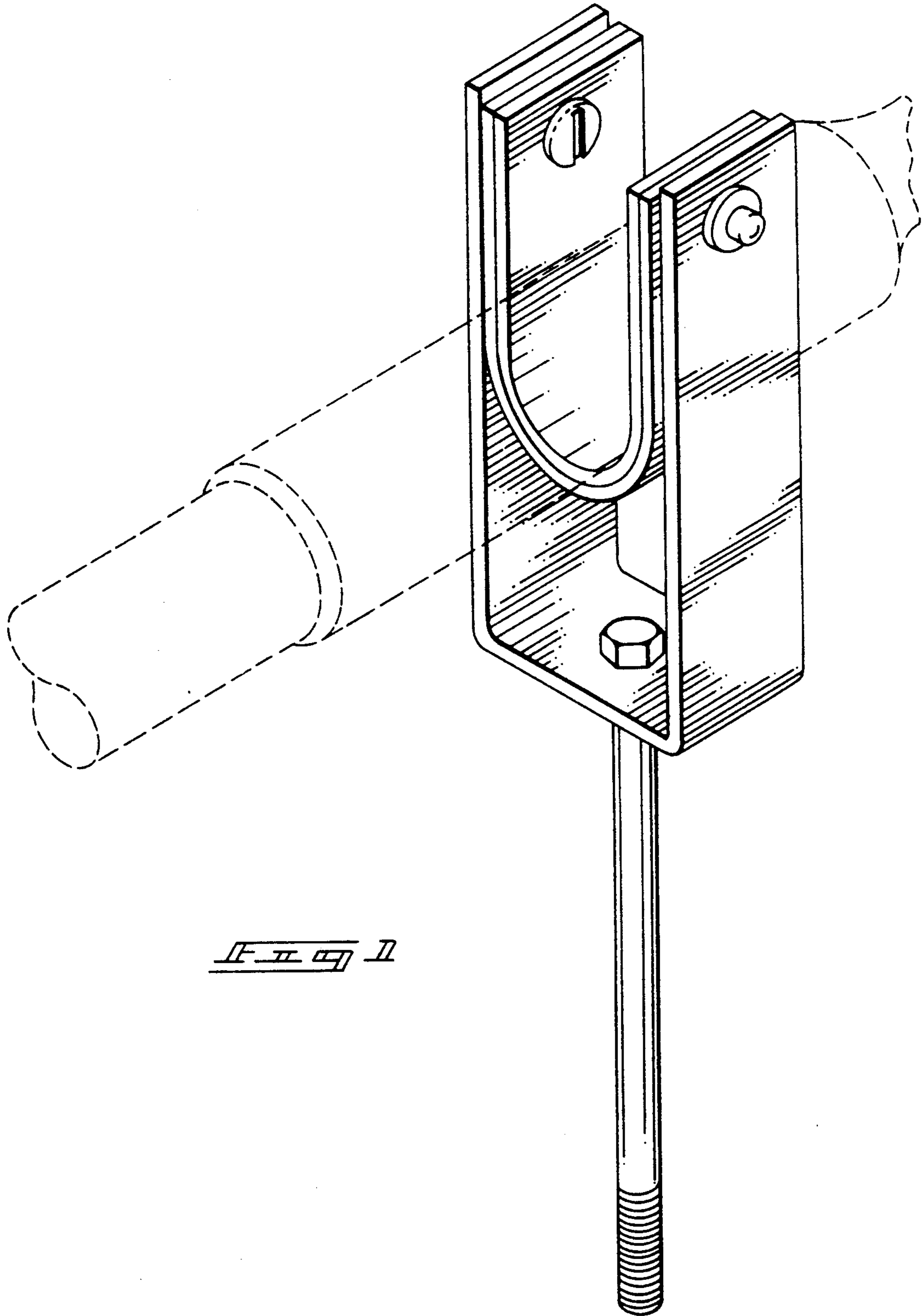


Fig. 1

